



US00D356403S

United States Patent [19]

[11] Patent Number: **Des. 356,403**

Pritchard et al.

[45] Date of Patent: **** Mar. 14, 1995**

[54] **CONTAINER FOR USE AS AN AQUARIUM OR TERRARIUM**

4,300,478	11/1981	Wise	119/249
4,516,529	5/1985	Lotito et al.	119/253
5,067,438	11/1991	Hoffa	119/269

[76] Inventors: **Rodney R. Pritchard**, 946 4th Street, Mississauga, Ontario, Canada, L5E 1J9; **Mark B. Eisen**, 567 Deloraine Avenue, North York, Ontario, Canada, M5M 2C5

FOREIGN PATENT DOCUMENTS

948936	6/1974	Canada	119/267
60515	9/1982	European Pat. Off.	119/269
423945	2/1935	United Kingdom	119/269
2256119	10/1992	United Kingdom	119/269

[**] Term: **14 Years**

Primary Examiner—Cathy Anne MacCormac

[21] Appl. No.: **9,770**

[57] CLAIM

[22] Filed: **Jun. 23, 1993**

The ornamental design for a container for use as an aquarium or terrarium, as shown and described.

[30] Foreign Application Priority Data

DESCRIPTION

Mar. 1, 1993 [CA] Canada 0103932

[52] U.S. Cl. **D30/101; D11/145**

[58] Field of Search 119/248, 265-266, 119/269, 253, 267, 246, 249; D30/101-107; D11/145

FIG. 1 is a perspective view of a container for use as an aquarium or terrarium showing our new design;

FIG. 2 is a side view, the opposite side being a mirror image thereof;

FIG. 3 is a top plan view;

FIG. 4 is a front elevational view, the opposite view being a mirror image thereof;

FIG. 5 is a bottom plan view;

FIG. 6 is a perspective view of FIG. 1 showing the lid removed;

FIG. 7 is a side view of FIG. 6, the opposite side being a mirror image thereof;

FIG. 8 is a top plan view of FIG. 6;

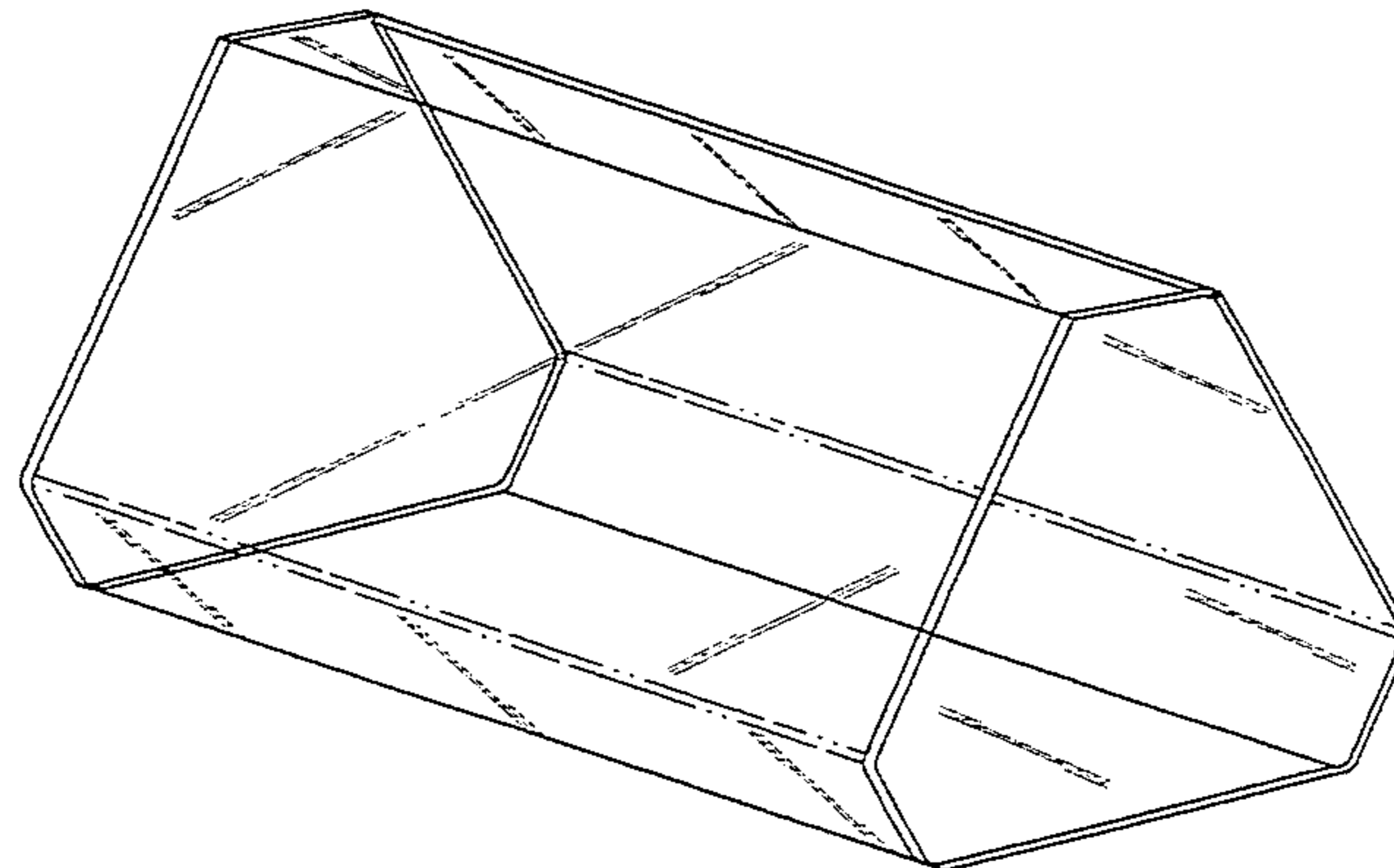
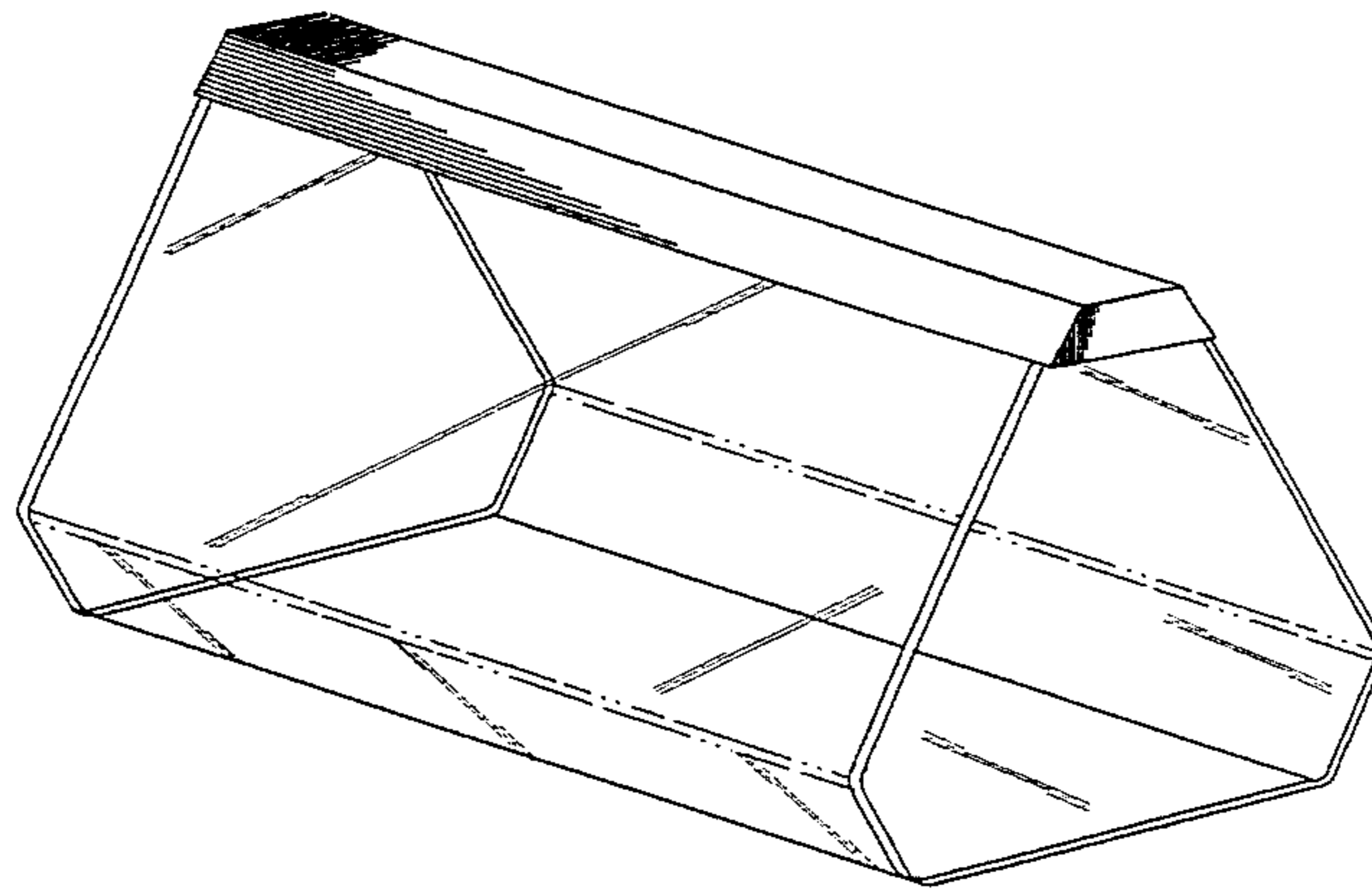
FIG. 9 is a front elevational view of FIG. 6, the opposite view being a mirror image thereof; and,

FIG. 10 is a bottom plan view of FIG. 6.

[56] References Cited

U.S. PATENT DOCUMENTS

D. 233,049	10/1974	Bennett et al.	D30/105
D. 247,105	1/1978	Kovach	D11/144
D. 247,960	5/1978	Riedeman	D11/145
D. 251,416	3/1979	Kovack	D11/145
D. 254,874	4/1980	Totten	D30/104
2,494,937	1/1950	Gandy	119/253
3,282,327	11/1966	Hardy	D11/145
3,760,521	9/1973	Barraya	D11/145
4,126,102	11/1978	Galloway	119/269
4,147,131	4/1979	Walker	119/246



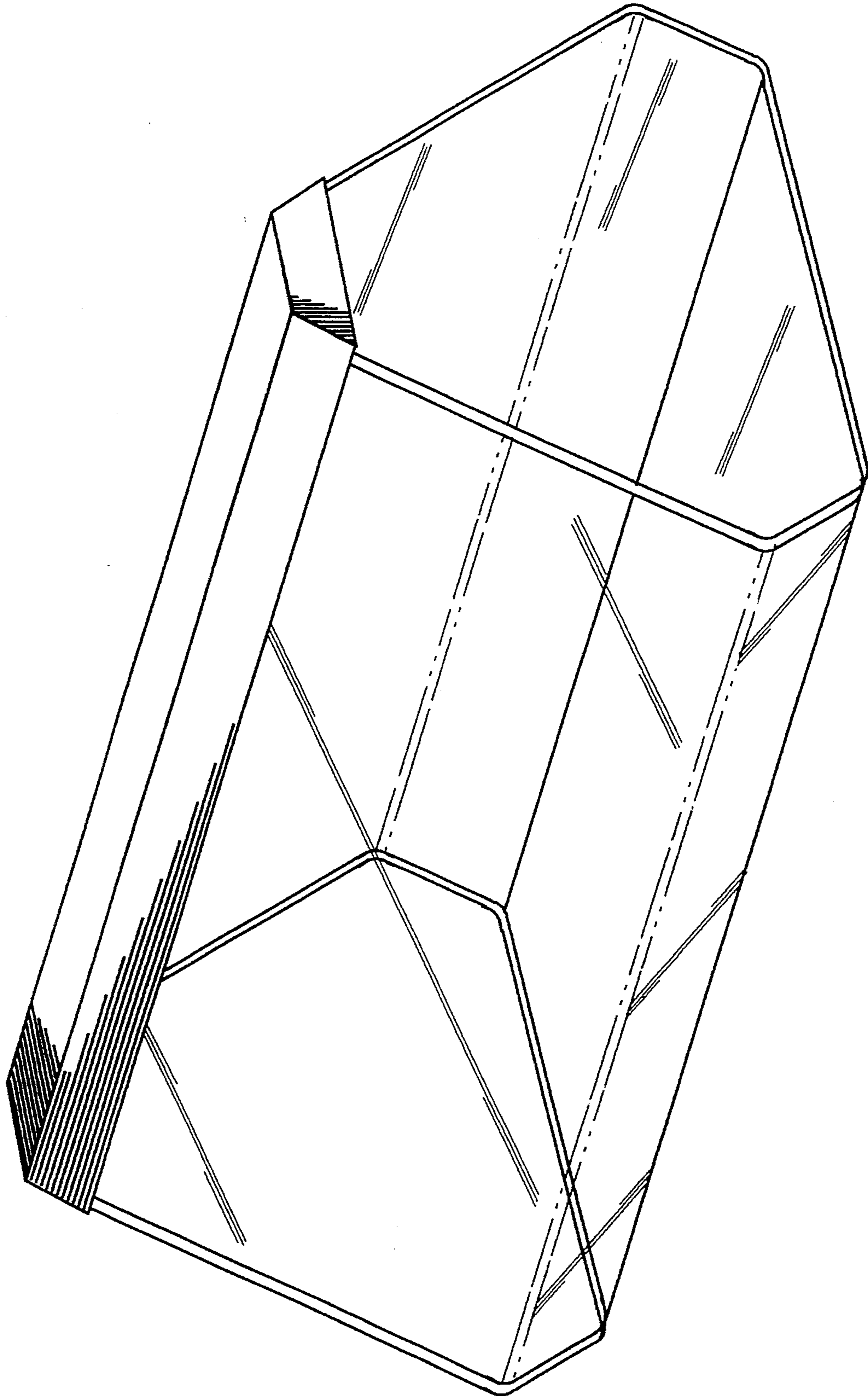


Fig 1

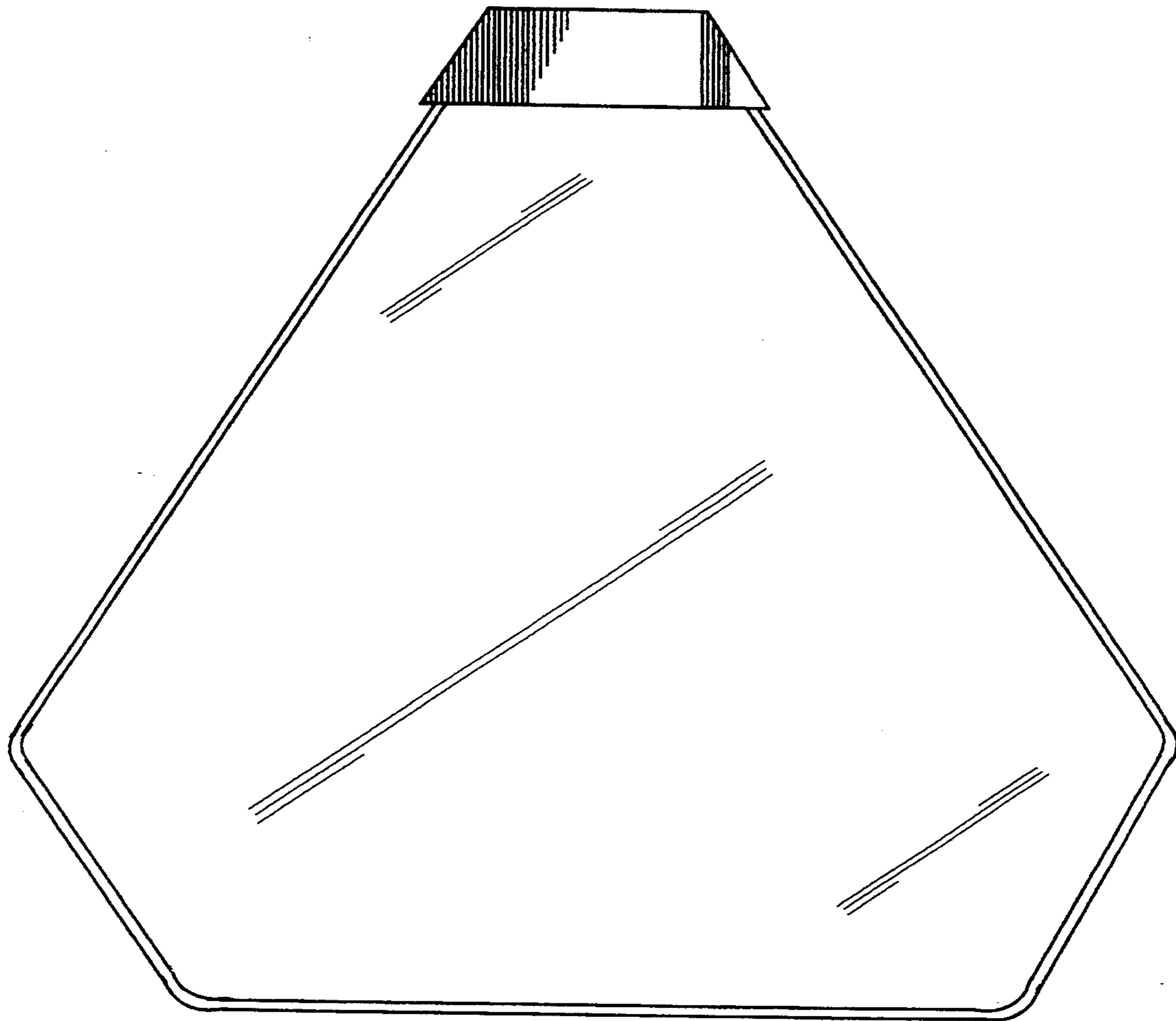


Fig 2

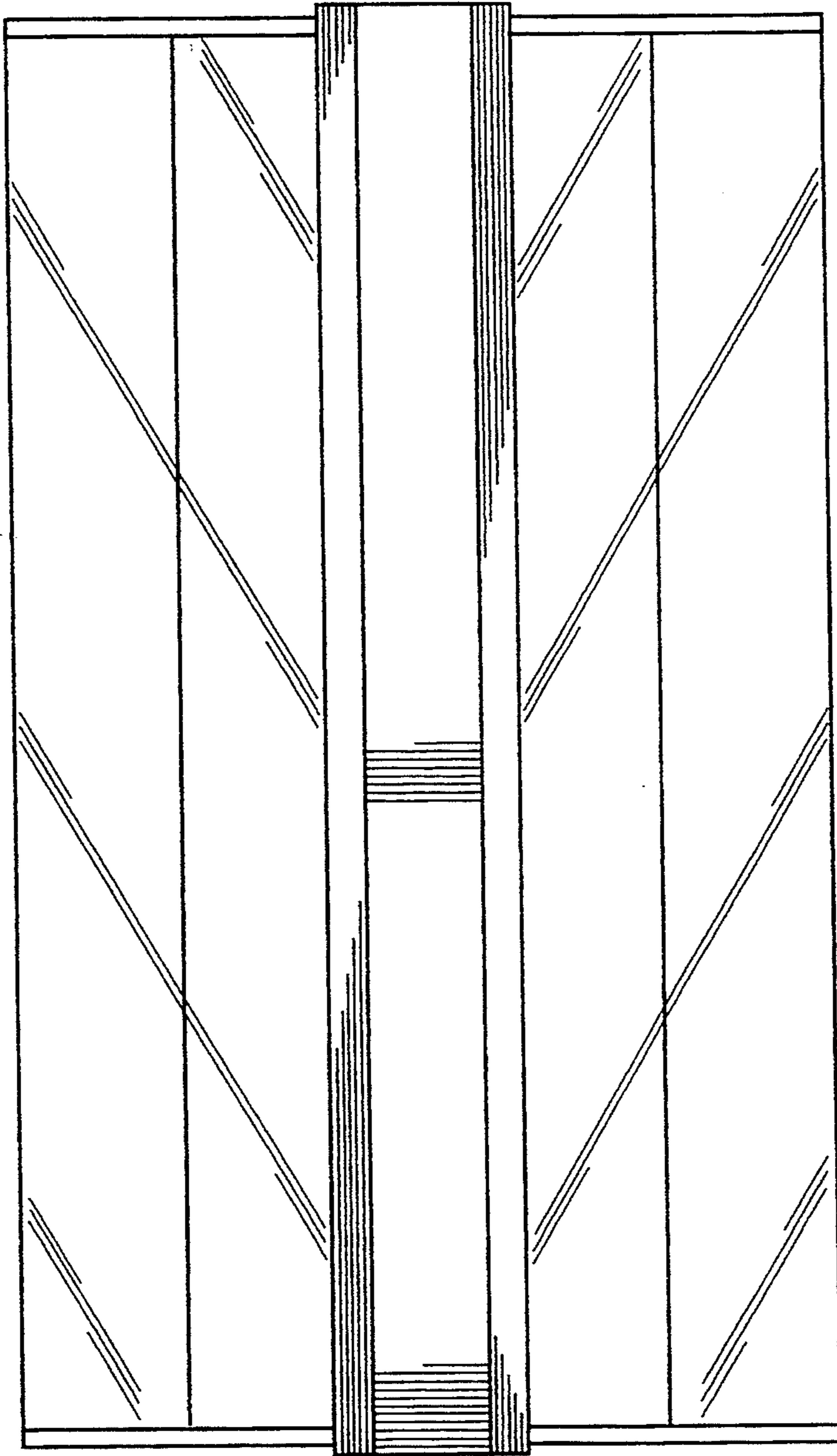


Fig 3

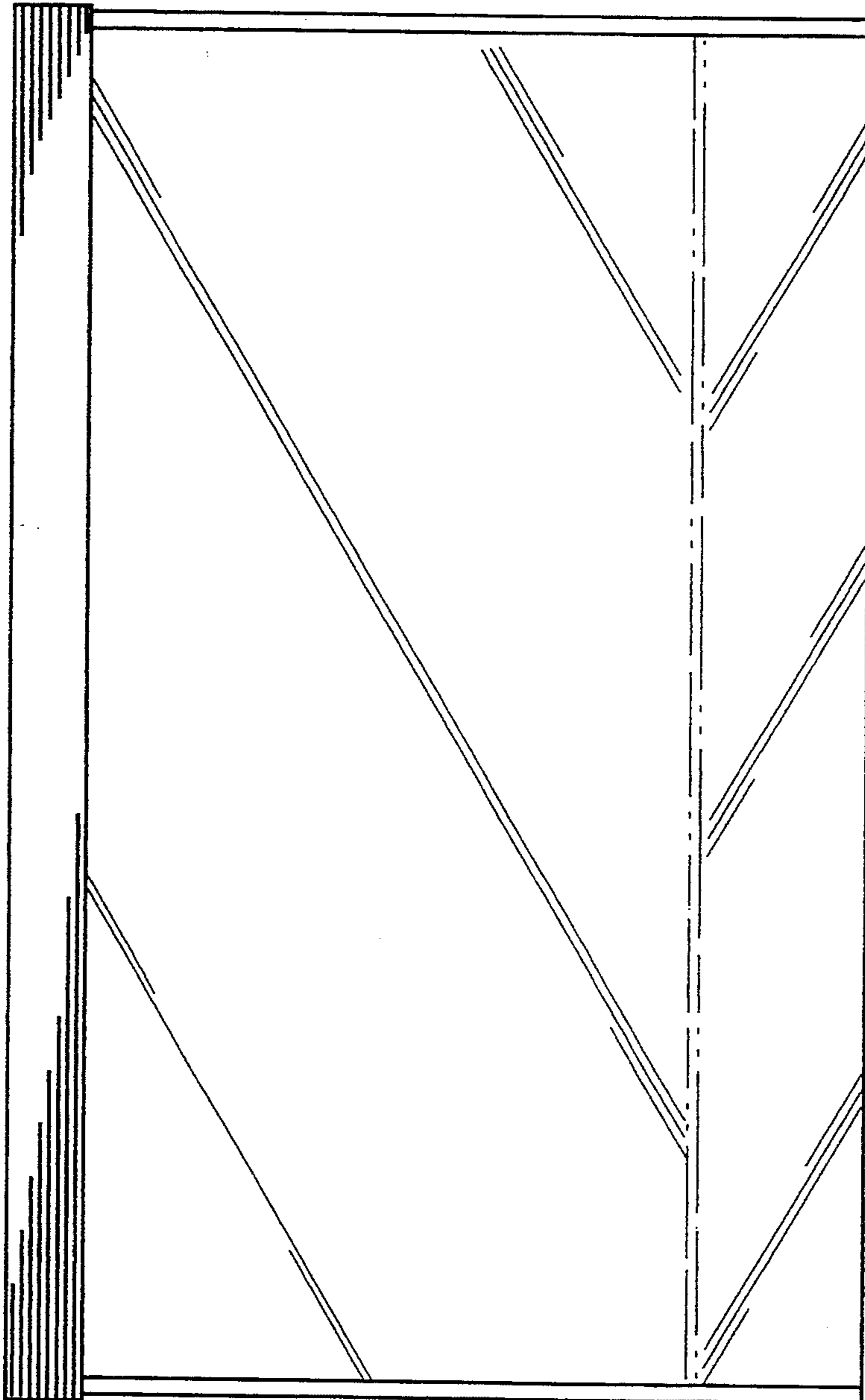


Fig 4

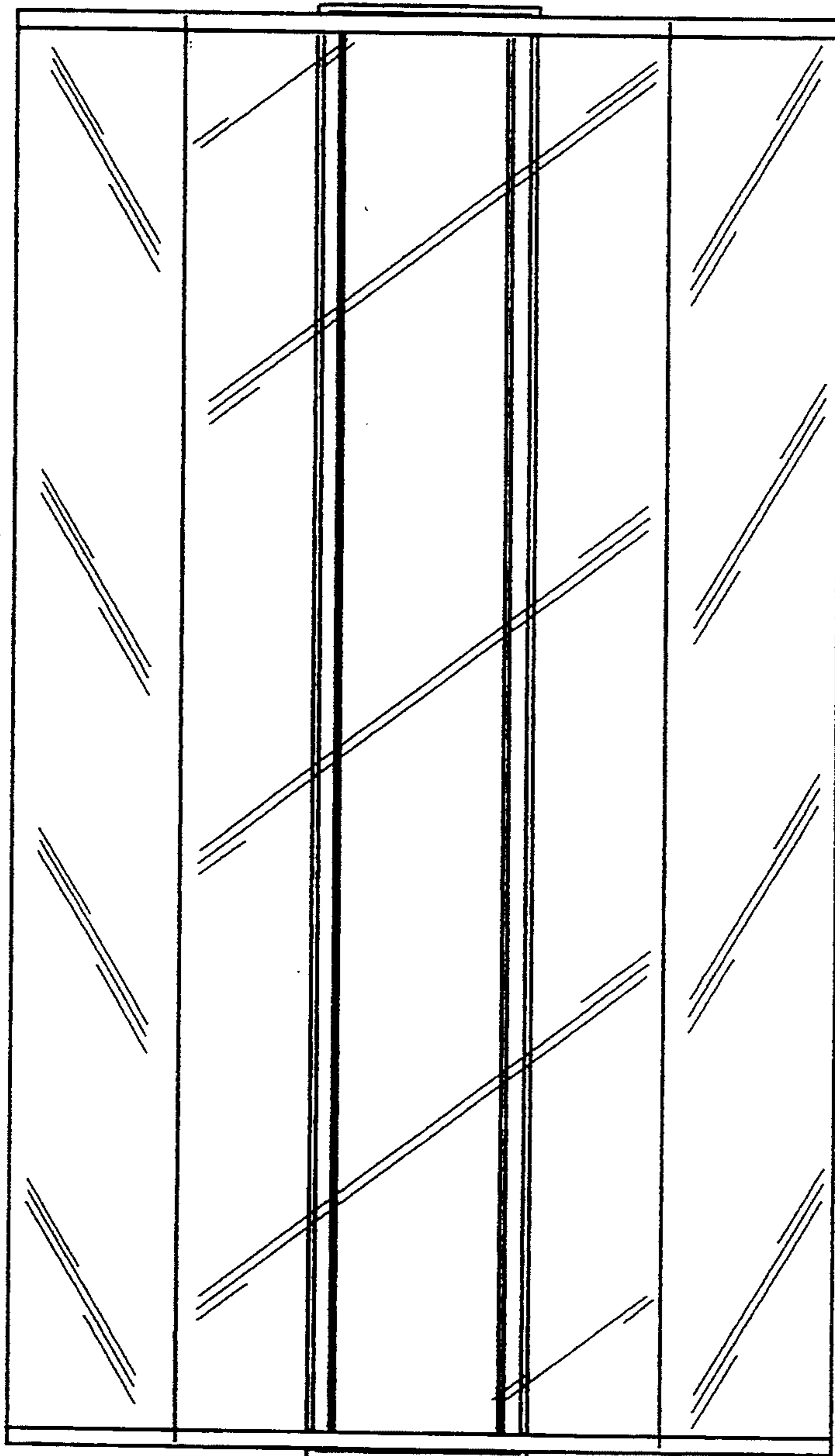


Fig 5

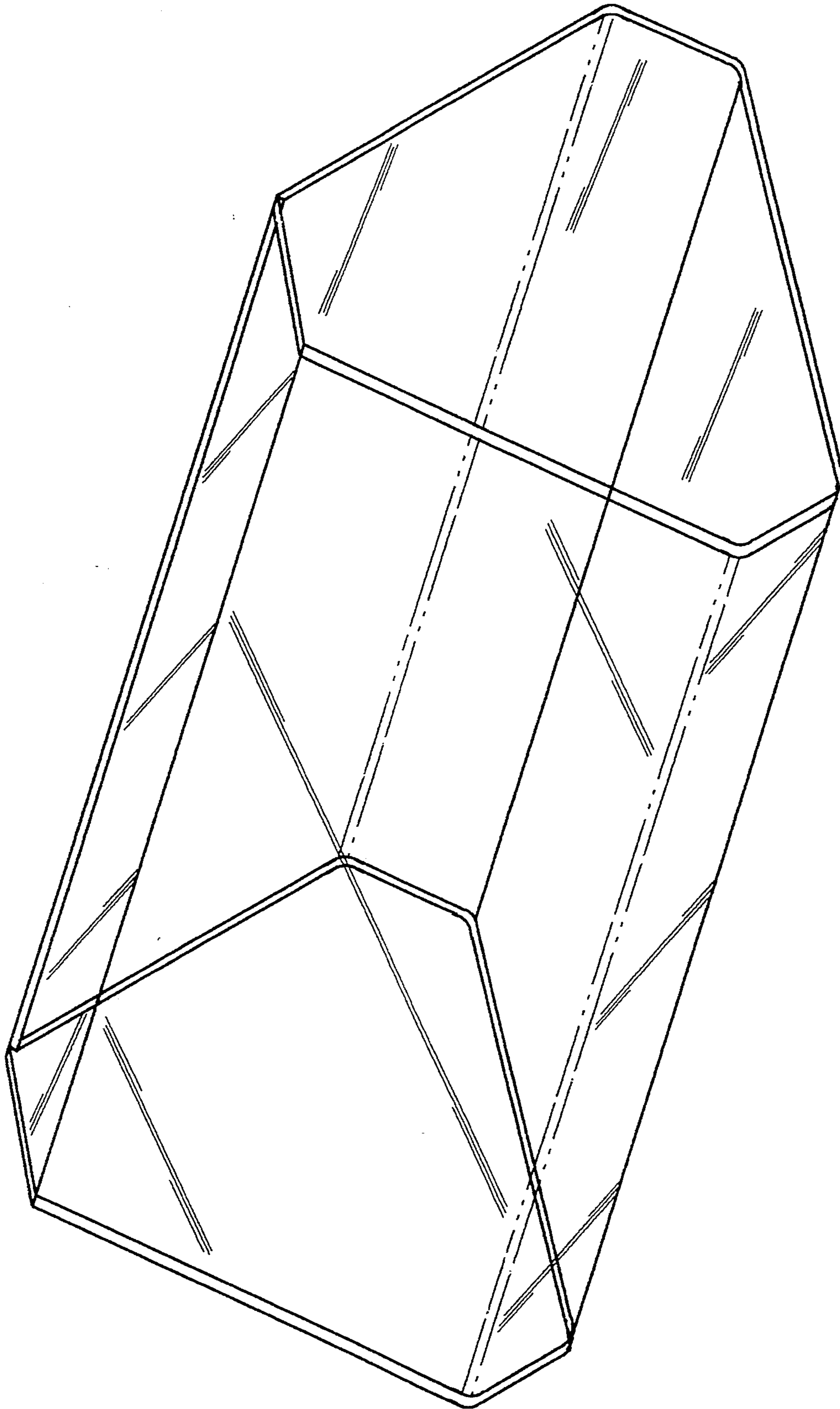


Fig 6

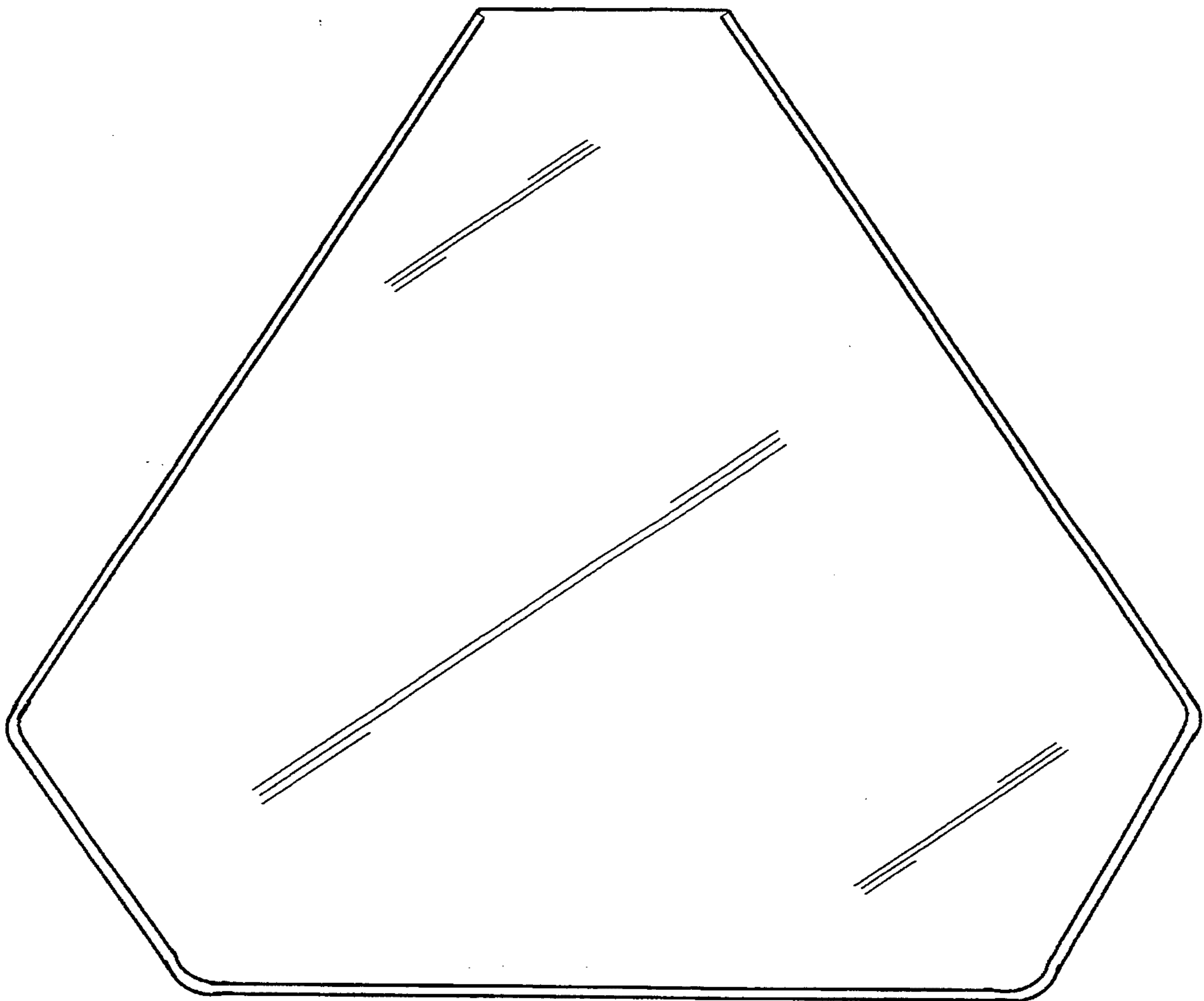


Fig 7

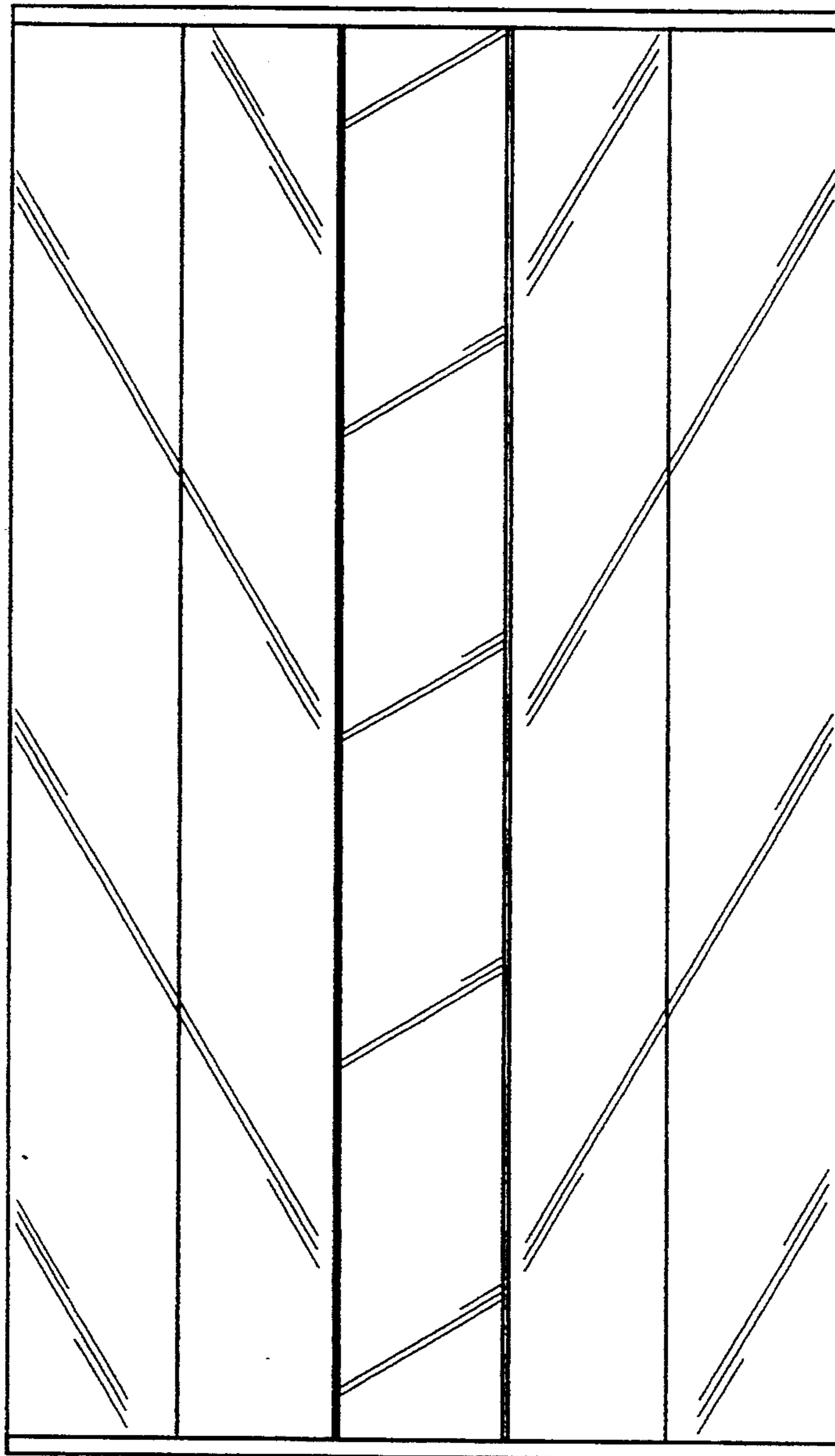


Fig 8

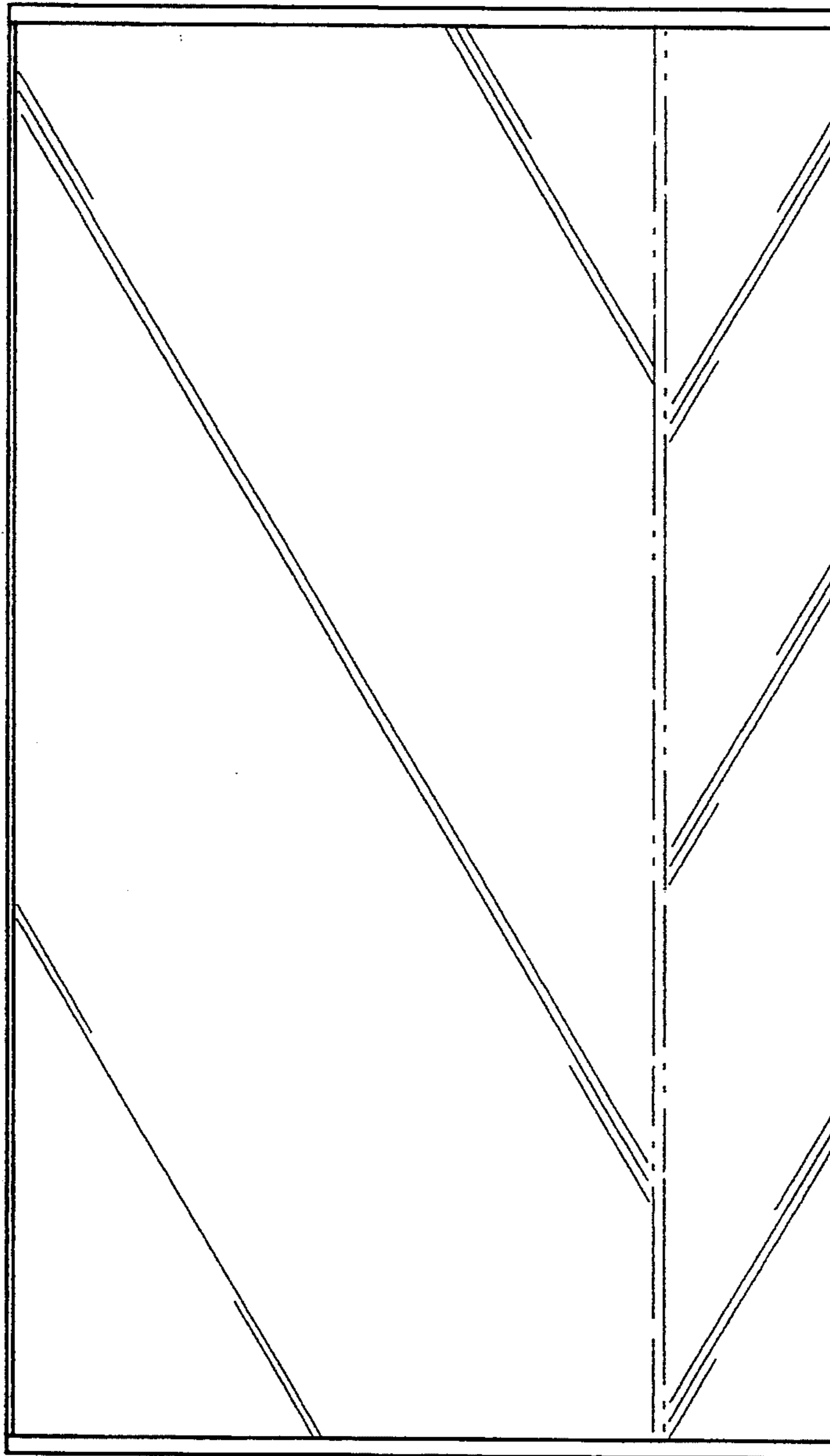


Fig 9

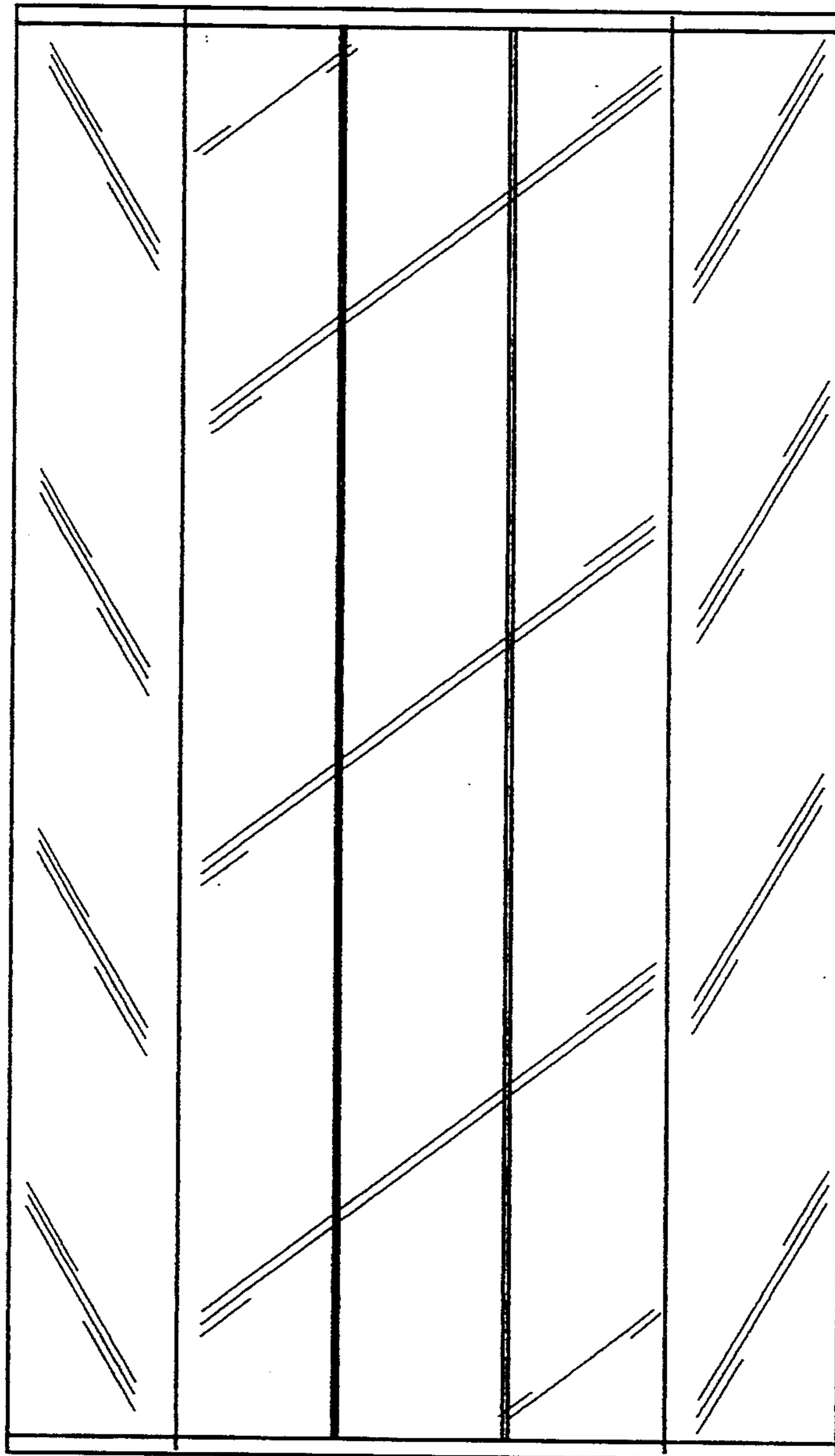


Fig 10