



US00D356391S

# United States Patent [19]

[11] Patent Number: Des. 356,391

Sugiura et al.

[45] Date of Patent: \*\* Mar. 14, 1995

[54] CLAMP-ON HOLDER FOR LED LAMP

[57] CLAIM

[76] Inventors: Noriyasu Sugiura; Mamoru Honda, both of 24-1, Oshika 2-Chome, Shizuoka-shi Shizuoka, Japan

The ornamental design for clamp-on holder for led lamp, as shown and described.

[\*\*] Term: 14 Years

### DESCRIPTION

[21] Appl. No.: 924,544

FIG. 1 is a perspective view of a clamp-on holder for led lamp showing our new design;

[22] Filed: Aug. 4, 1992

FIG. 2 is a plan view thereof;

[52] U.S. Cl. .... D26/138

FIG. 3 is a front view thereof;

[58] Field of Search ..... D26/60, 24; 362/190, 362/191, 396, 202

FIG. 4 is a bottom end view thereof;

FIG. 5 is a left side view thereof, the right side being a mirror image thereof;

[56] References Cited

### U.S. PATENT DOCUMENTS

FIG. 6 is a rear view thereof;

5,083,249 1/1992 Chen ..... 362/191

FIG. 7 is a sectional view taken substantially along line 7-7 of FIG. 3; and,

Primary Examiner—Susan J. Lucas

Attorney, Agent, or Firm—Ronald P. Kananen

FIG. 8 is a cross-sectional view similar to FIG. 7, but with an LED lamp and a pipe on which the holder is mounted shown in broken lines for illustration only.

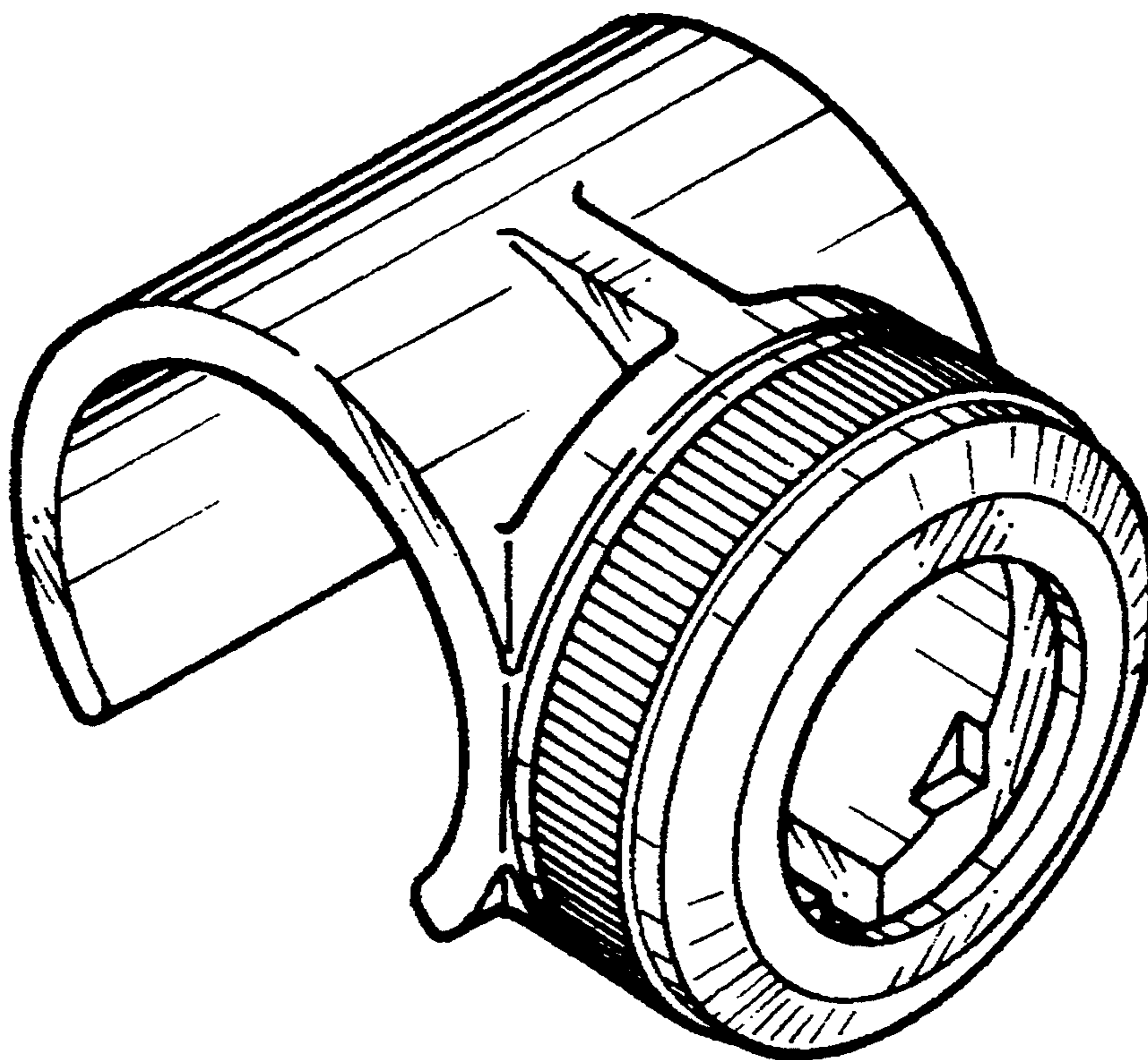


FIG. 1

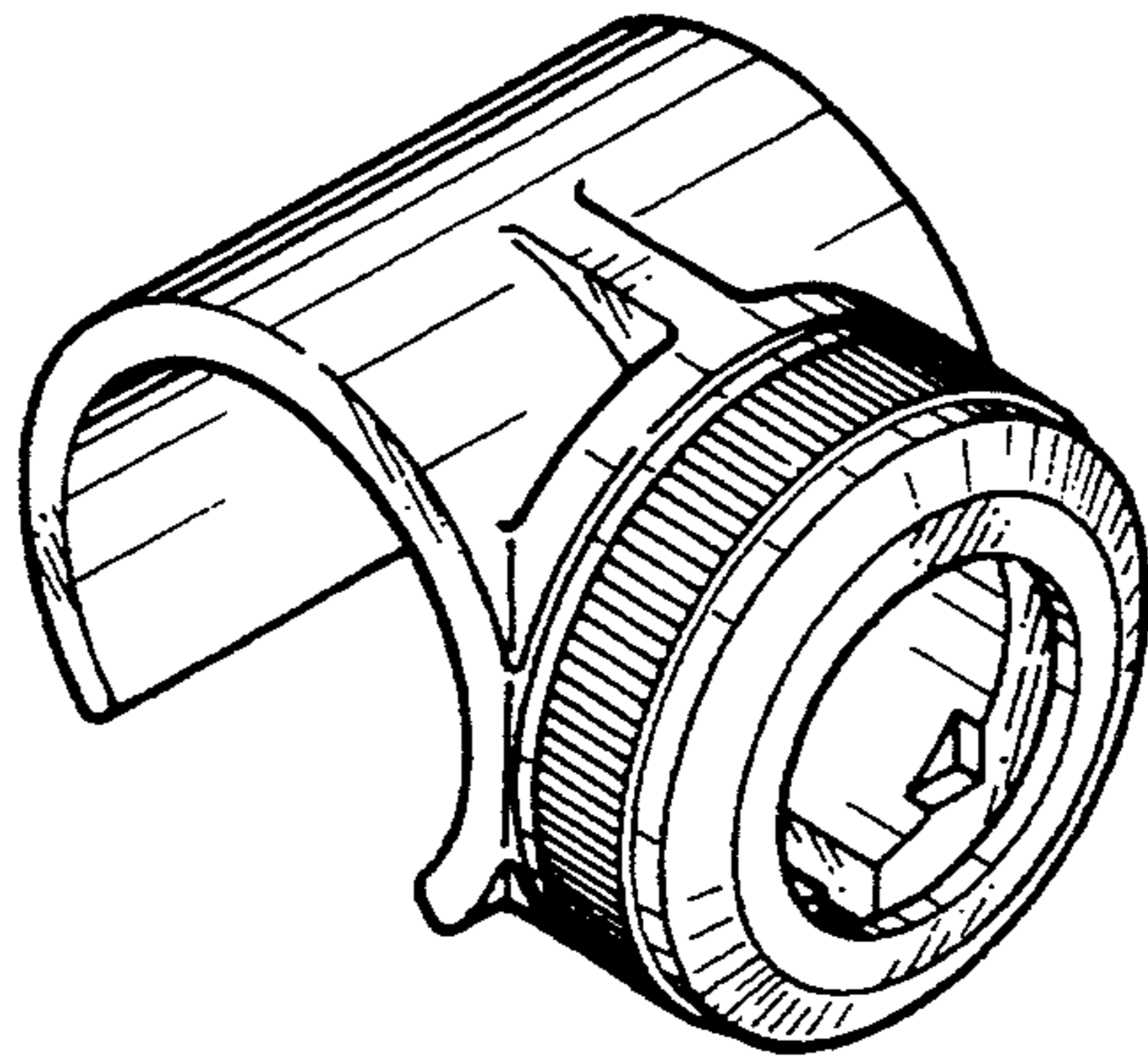


FIG. 2

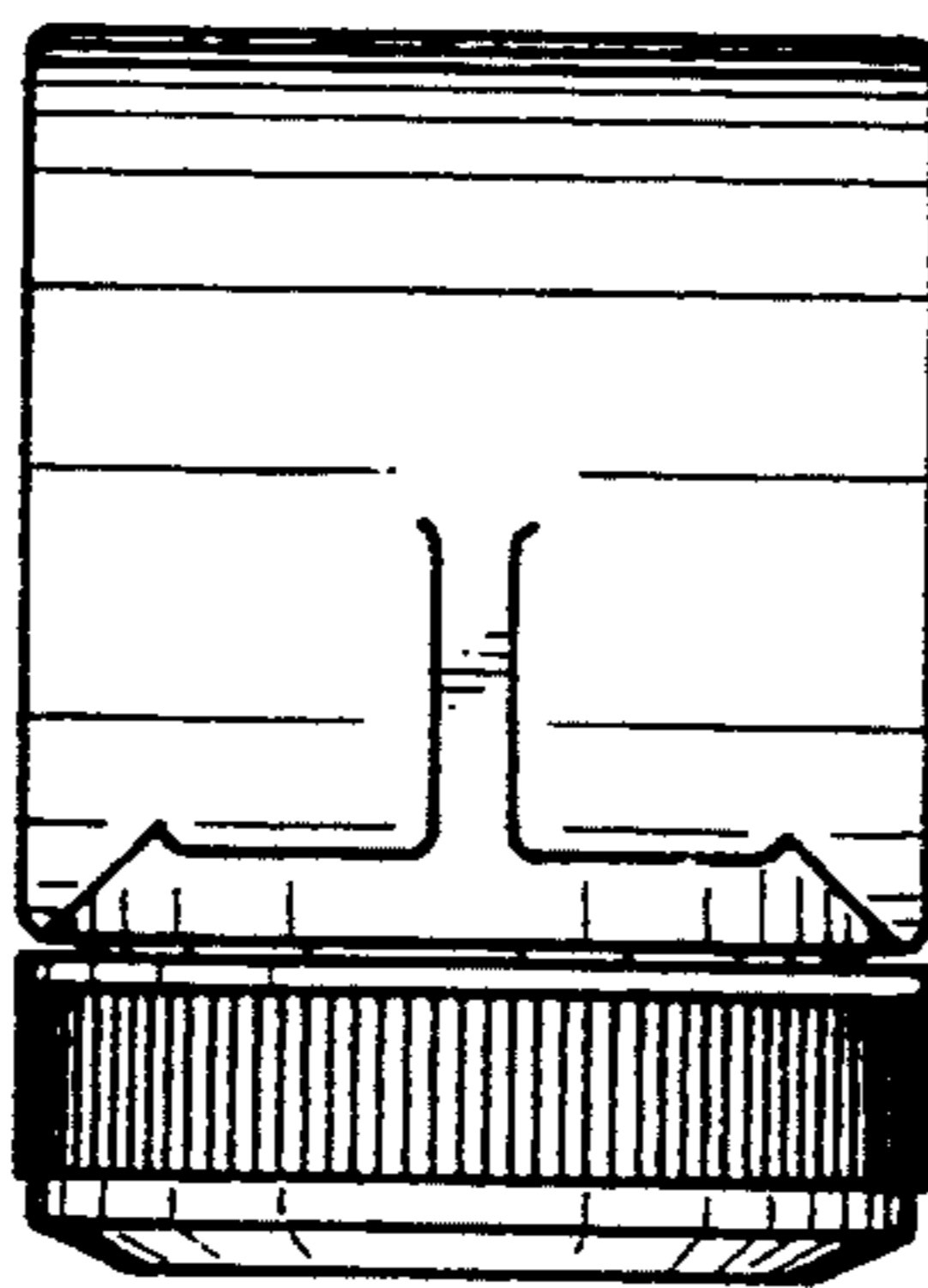
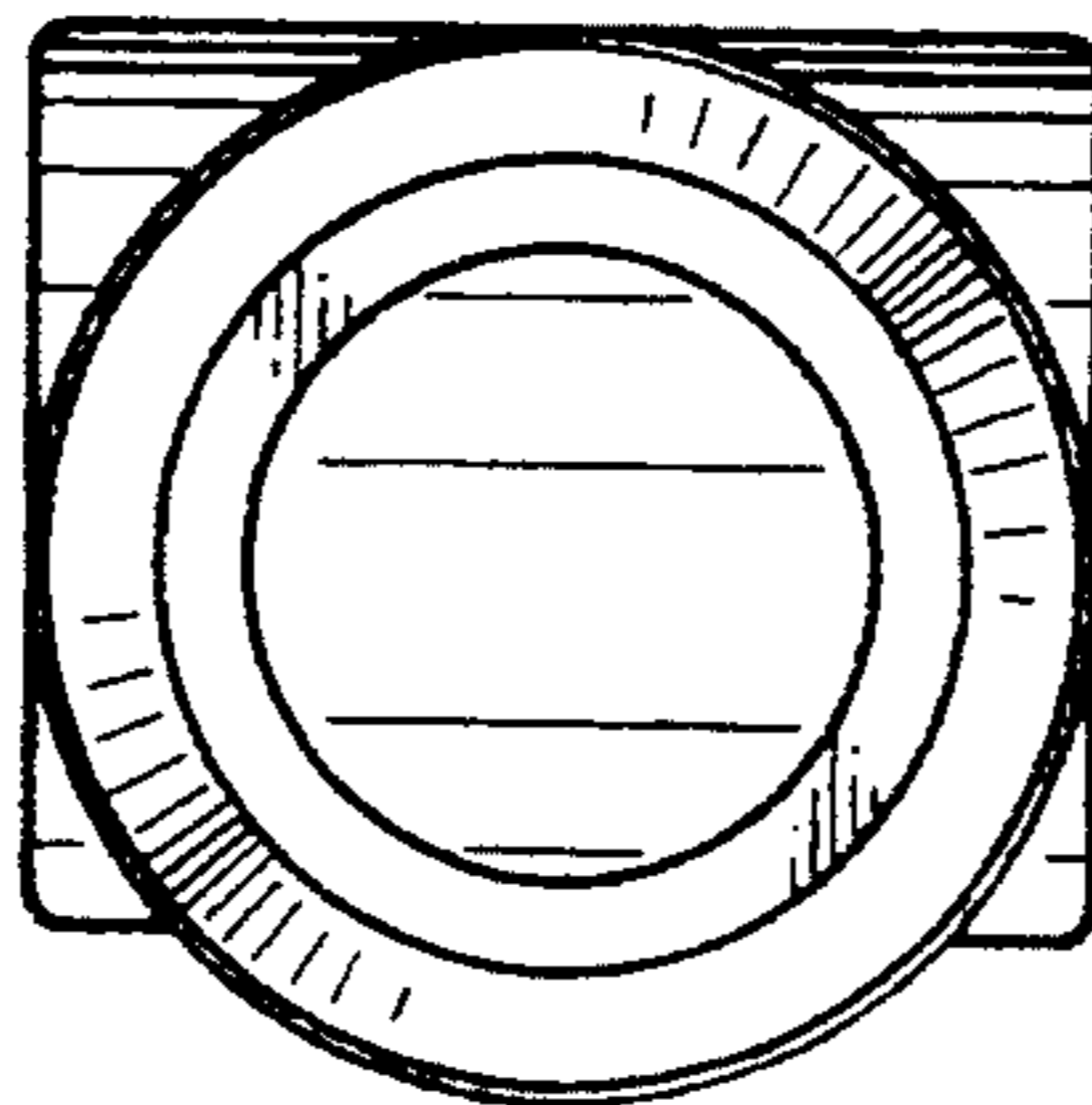


FIG. 3

7 ←



7 ←

FIG. 4

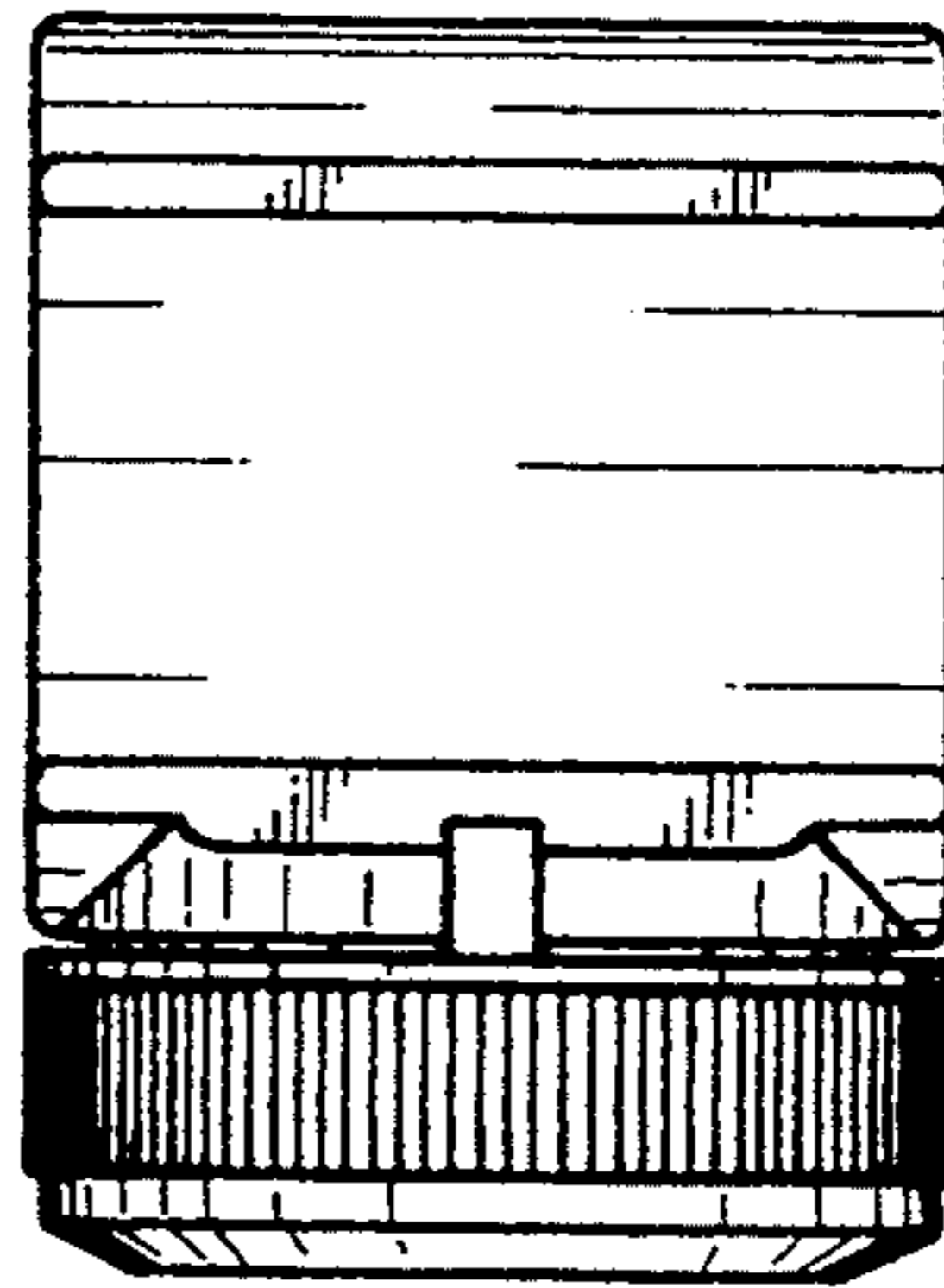


FIG. 5

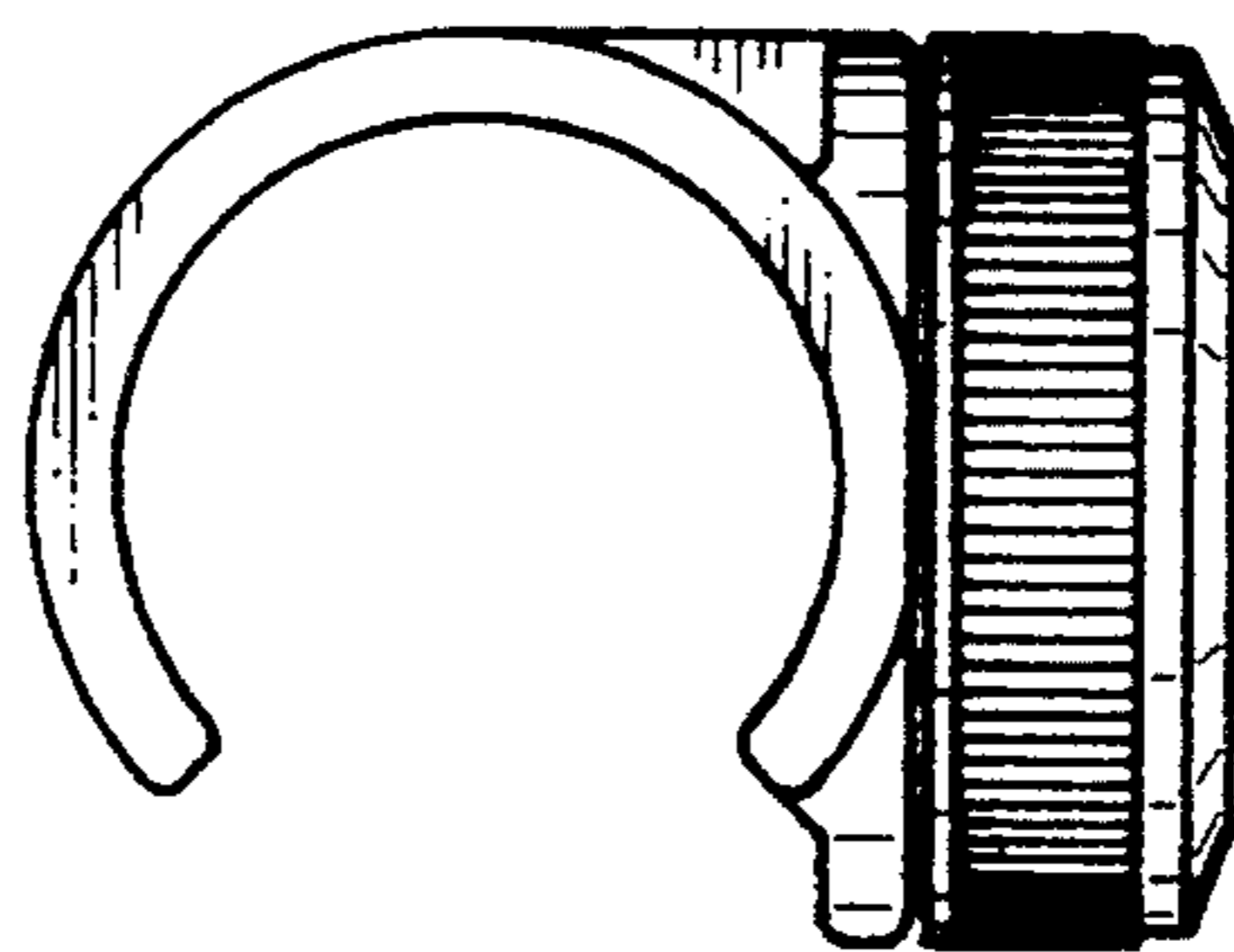


FIG. 6

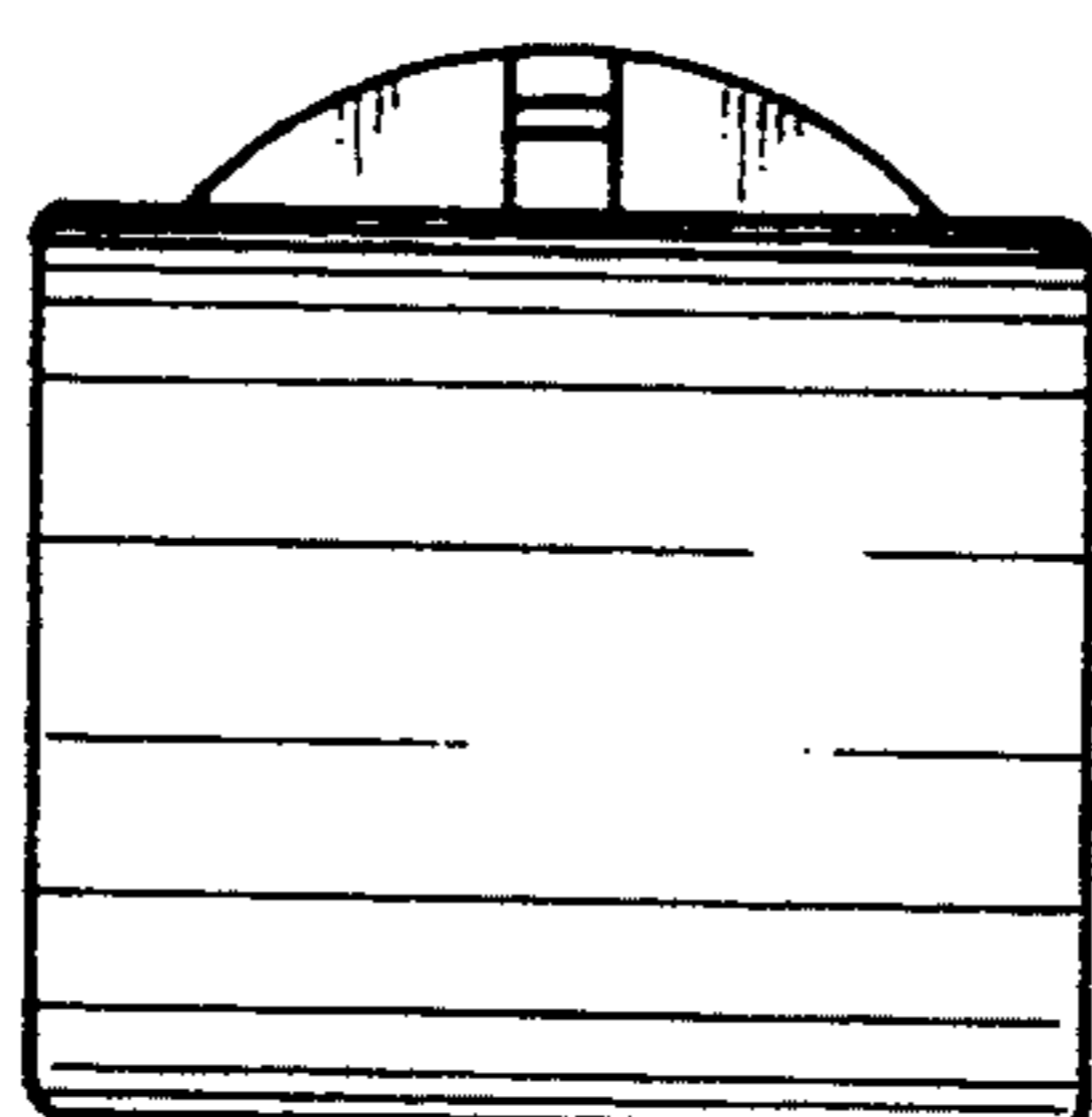


FIG. 7

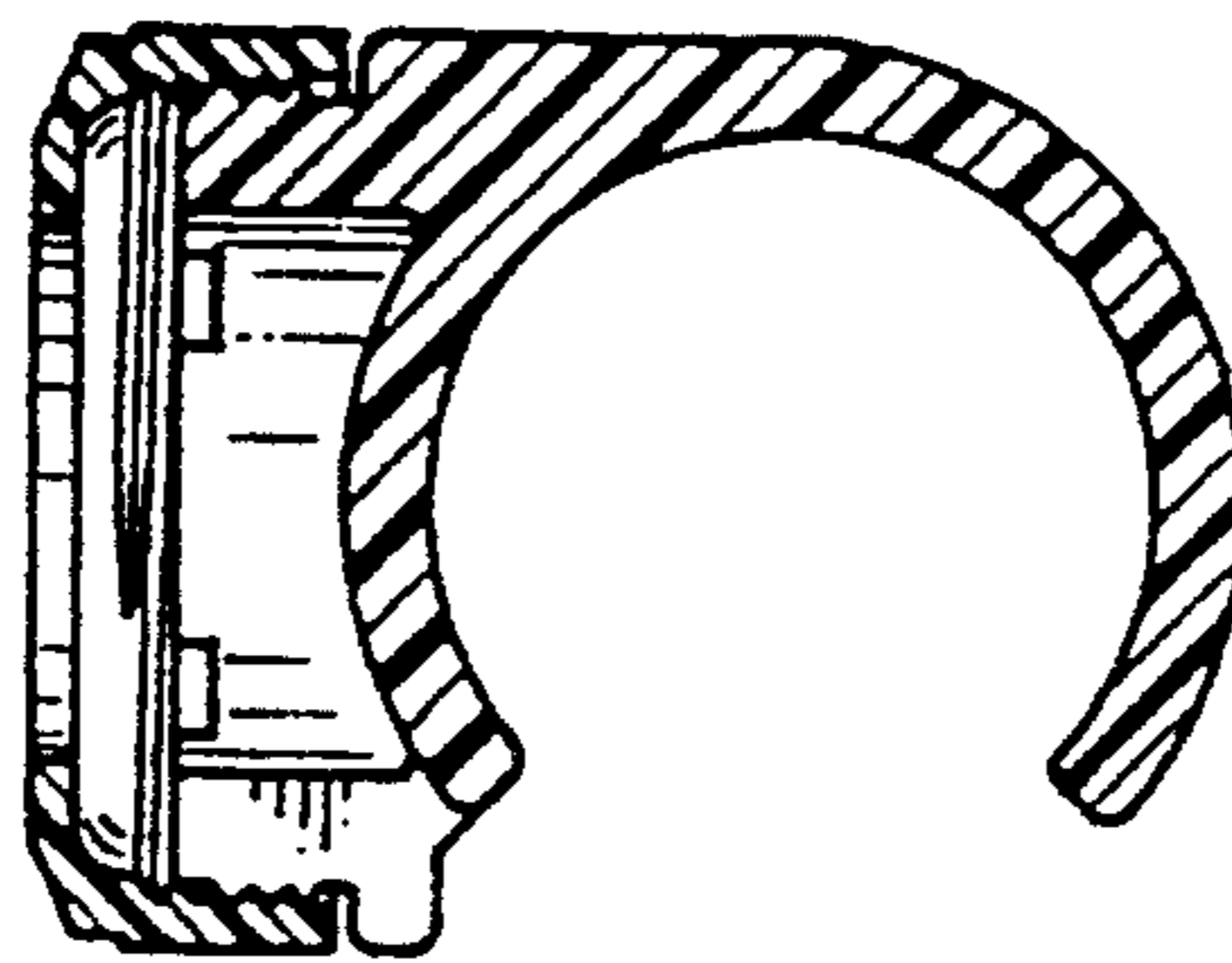


FIG. 8

