



US00D356390S

United States Patent [19]

Gismondi et al.

[11] Patent Number: **Des. 356,390**

[45] Date of Patent: **** Mar. 14, 1995**

[54] STANDARD LAMP

[75] Inventors: **Ernesto Gismondi; Giancarlo Fassina,**
both of Milan, Italy

[73] Assignee: **Artemide S.p.A.,** Milan, Italy

[**] Term: **14 Years**

[21] Appl. No.: **13,600**

[22] Filed: **Sep. 28, 1993**

[30] **Foreign Application Priority Data**

Mar. 30, 1993 [IT] Italy T093 0 000051
[52] U.S. Cl. **D26/107**
[58] Field of Search D26/93, 102-112;
362/410-414

[56] **References Cited**

U.S. PATENT DOCUMENTS

D. 169,729 6/1953 Borin D26/107
D. 203,863 2/1966 Neumann D26/107

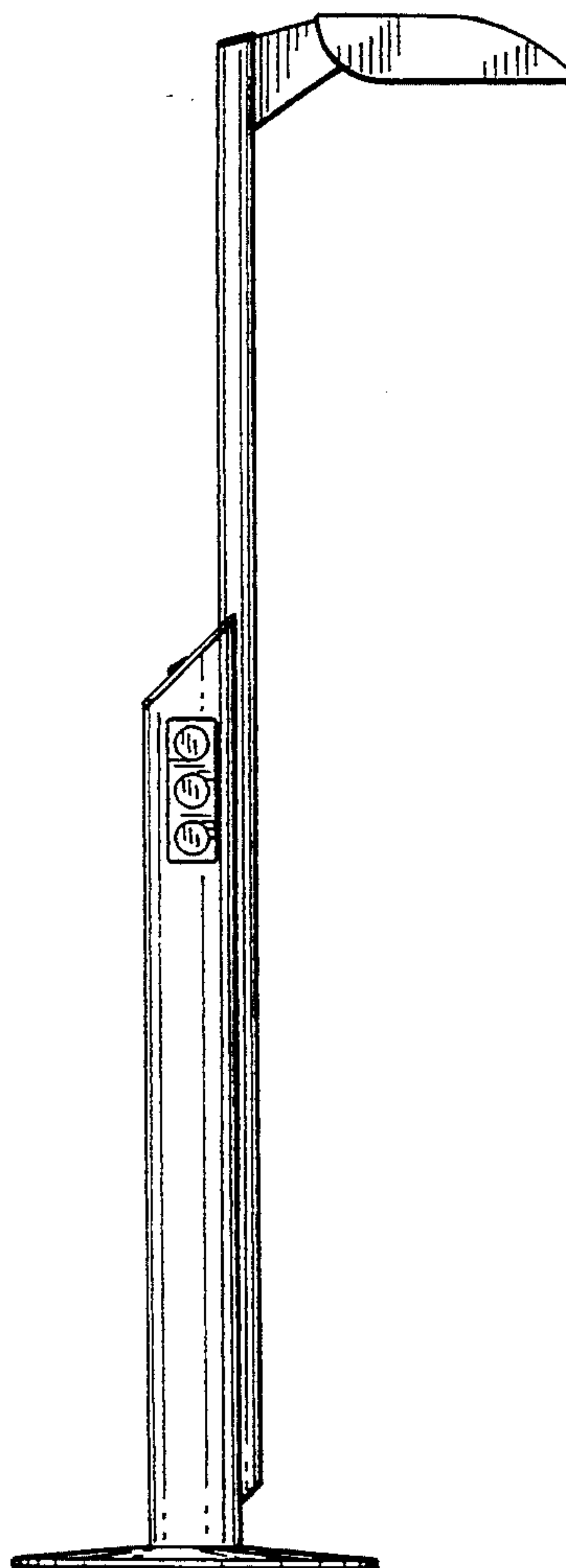
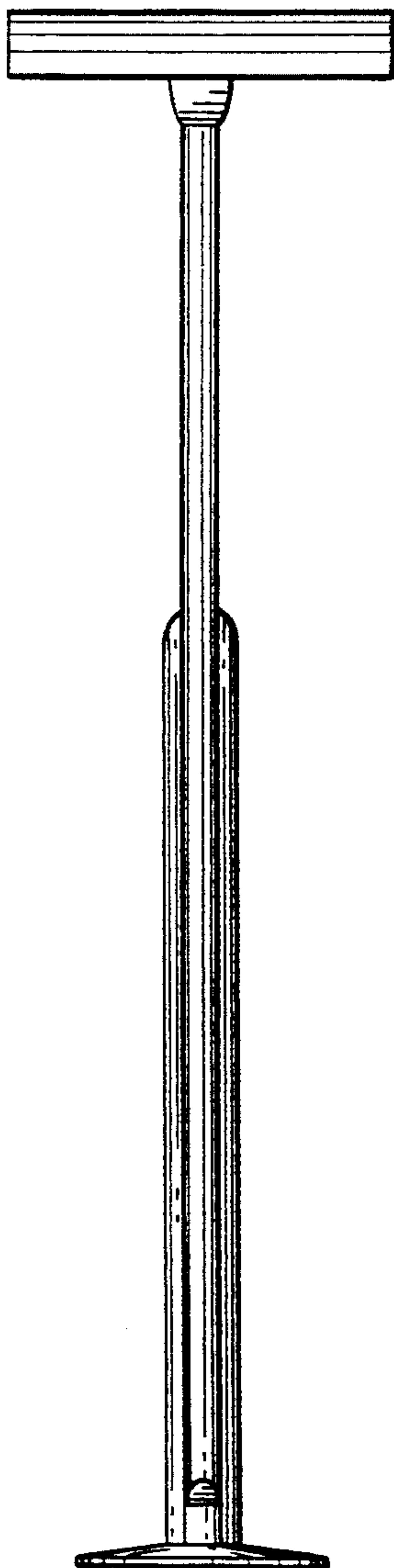
Primary Examiner—Susan J. Lucas
Attorney, Agent, or Firm—Kane, Dalsimer, Sullivan,
Kurucz, Levy, Eisele & Richard

[57] **CLAIM**

The ornamental design for a standard lamp, as shown.

DESCRIPTION

FIG. 1 is a front view of a standard lamp showing our design;
FIG. 2 is a rear view thereof;
FIG. 3 is a left side view thereof;
FIG. 4 is a right side view thereof;
FIG. 5 is a top view thereof; and,
FIG. 6 is a bottom view thereof.



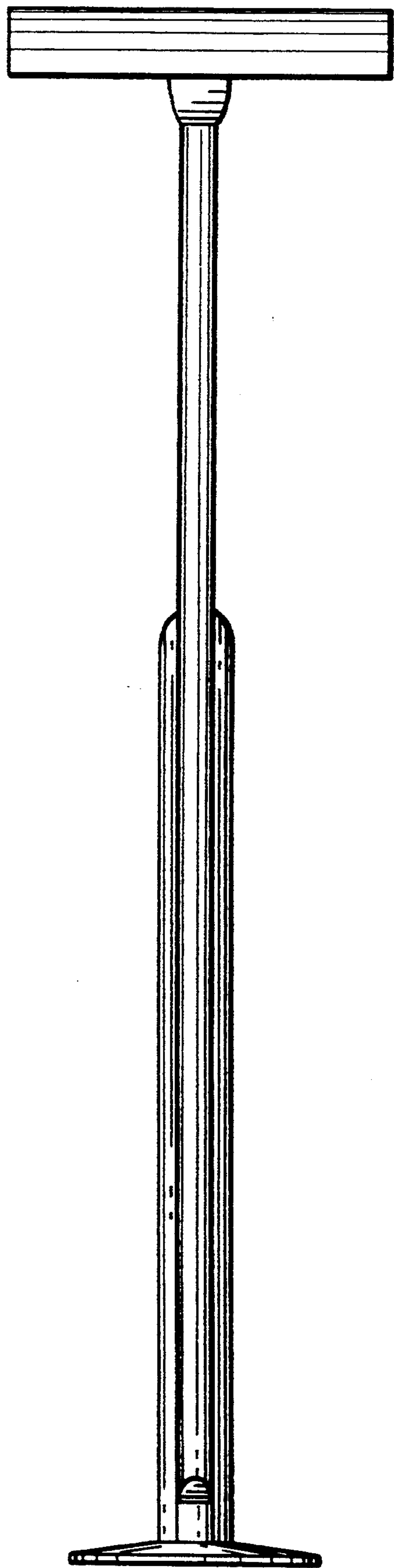


FIG. 1

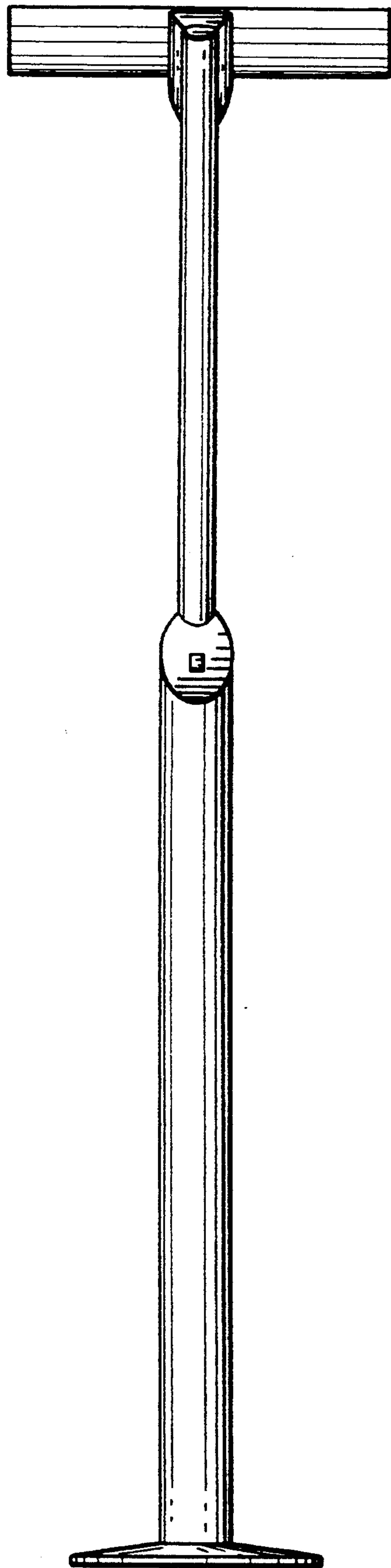


FIG. 2

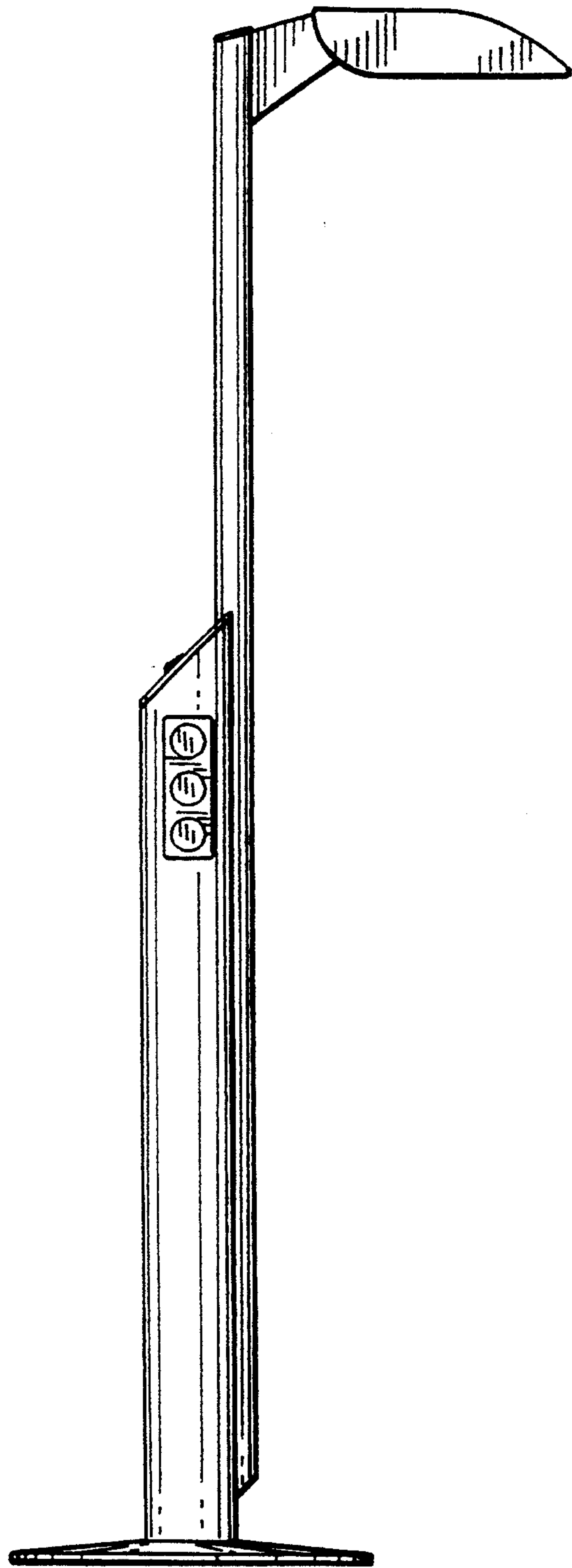


FIG. 3

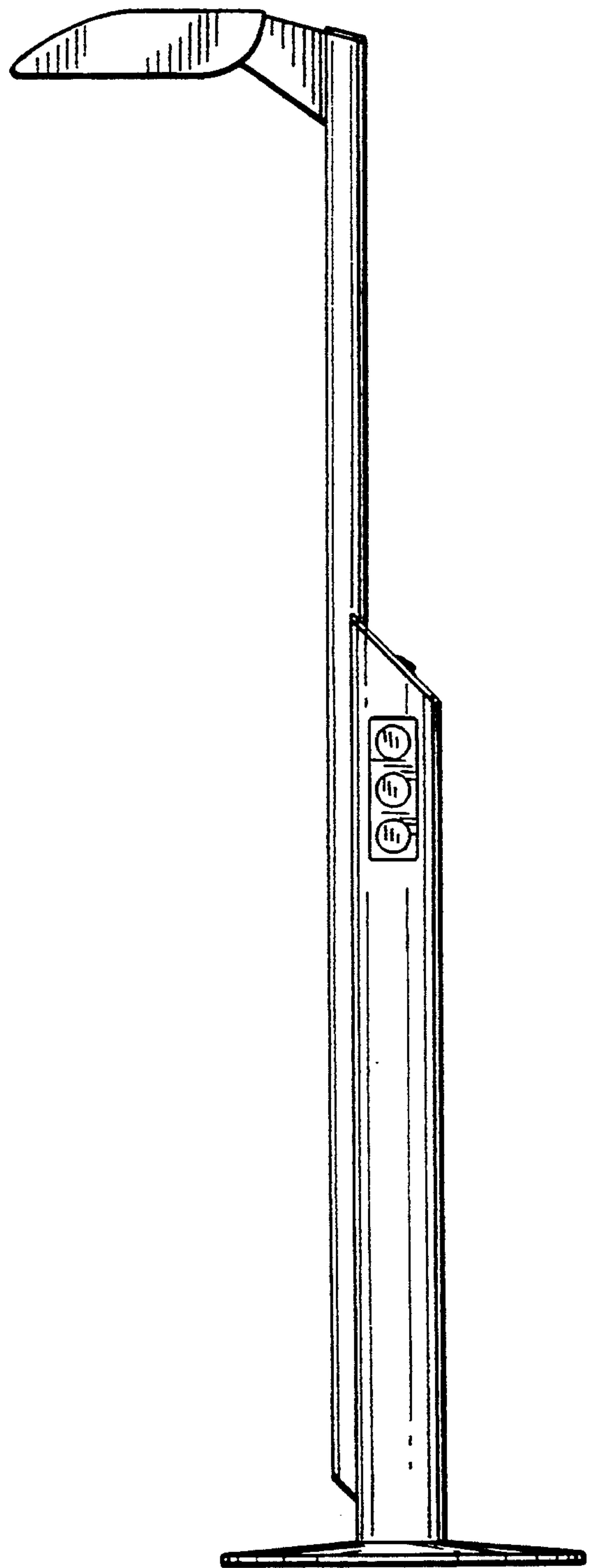


FIG. 4

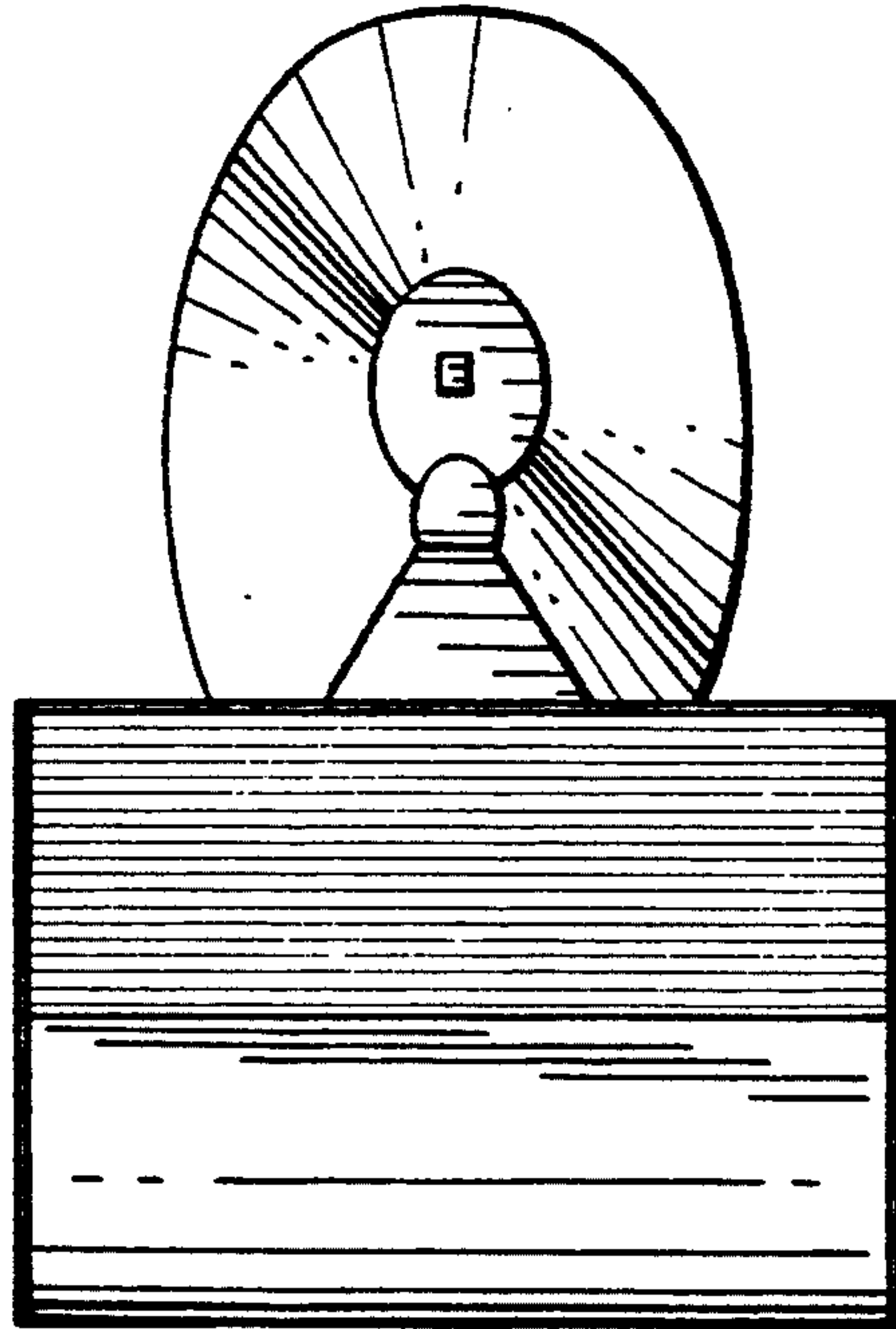


FIG. 5

FIG. 6

