



US00D356386S

United States Patent [19]

[11] Patent Number: **Des. 356,386**

Cerbini

[45] Date of Patent: **** Mar. 14, 1995**

[54] **STANDING LAMP**

[76] Inventor: **Frank P. Cerbini**, 17 Ann Dr. North, Freeport, N.Y. 11520

[**] Term: **14 Years**

[21] Appl. No.: **801,100**

[22] Filed: **Dec. 2, 1991**

[52] U.S. Cl. **D26/94; D11/157**

[58] Field of Search **D26/94; D11/157; 368/806, 808; D19/65, 90, 86, 96, 97**

[56] **References Cited**

U.S. PATENT DOCUMENTS

D. 147,676 10/1947 MacGuarrie D26/94

OTHER PUBLICATIONS

Office Appliances, Nov. 1956, p. 212, upright Texas paper clip.

Primary Examiner—Susan J. Lucas
Attorney, Agent, or Firm—Gottlieb, Rackman & Reisman

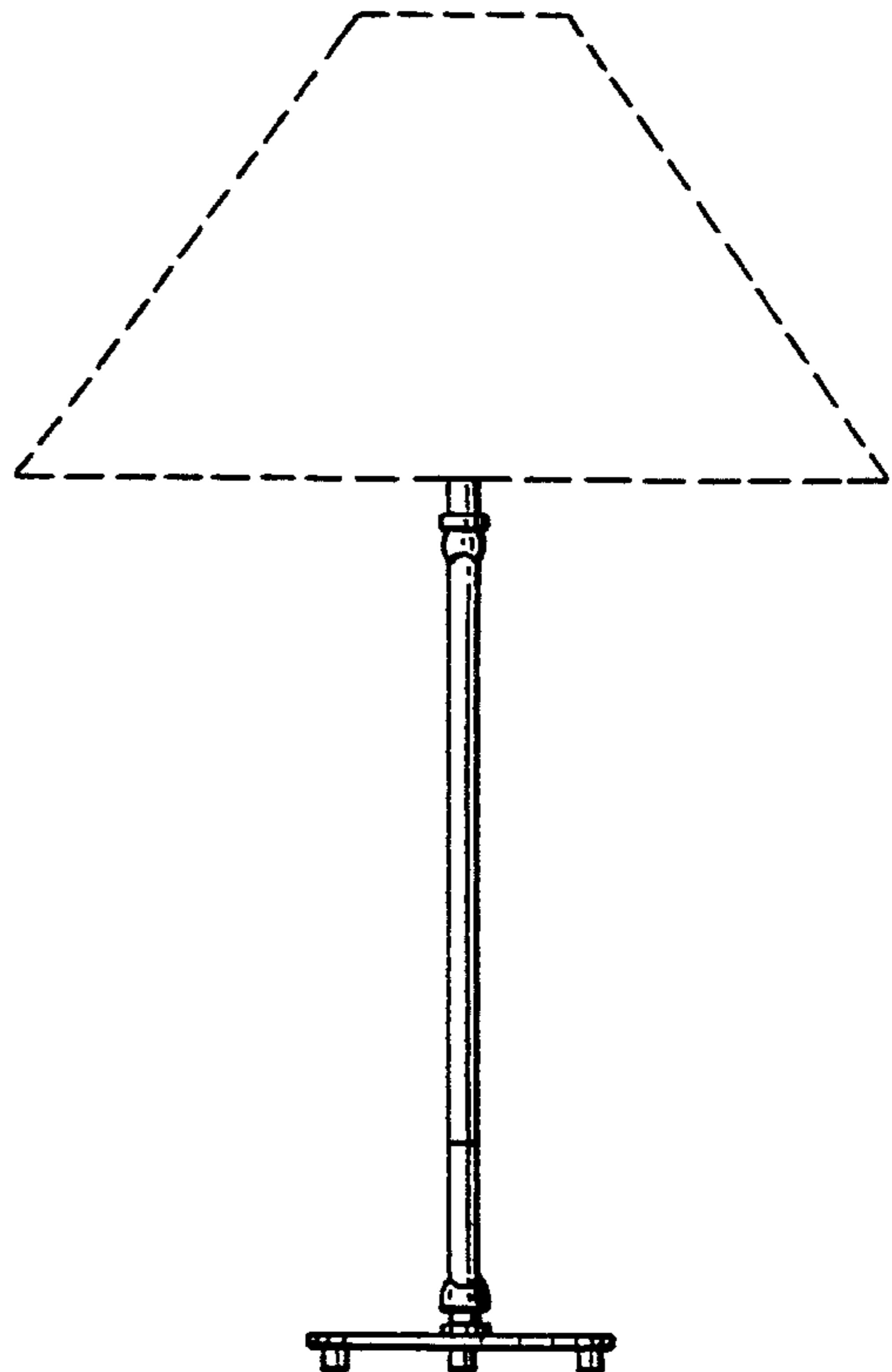
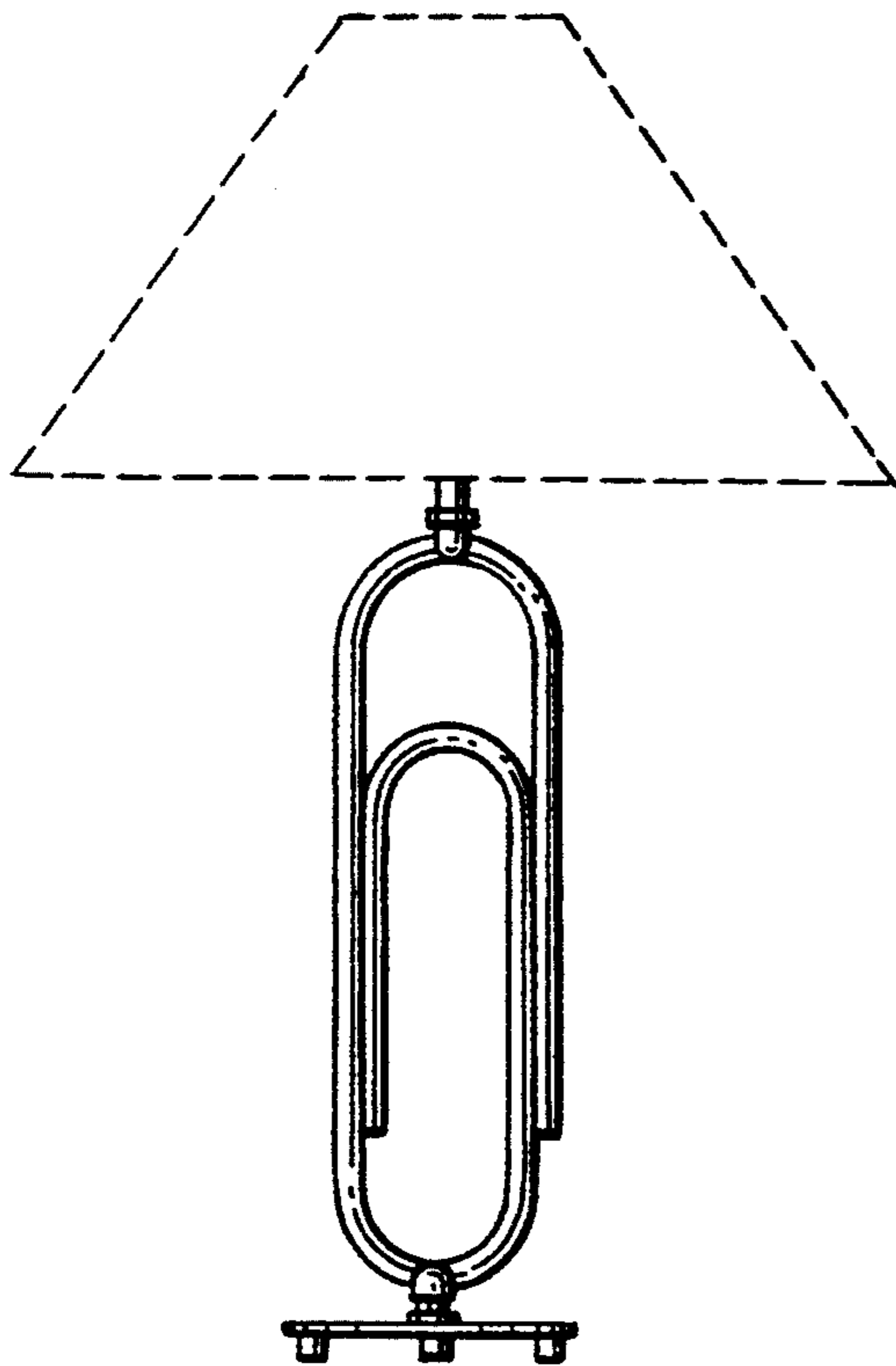
[57] **CLAIM**

The ornamental design for a standing lamp, as shown and described.

DESCRIPTION

FIG. 1 is a front view of a standing lamp base showing my new design, the rear view being identical; FIG. 2 is a bottom view thereof on a reduced scale; FIG. 3 is a side view thereof; FIG. 4 is a front view of a second embodiment of my new design, the rear being identical; FIG. 5 is a top view thereof; and, FIG. 6 is a side view thereof.

The shade is shown in broken lines for illustrative purposes only and forms no part of the claimed design.



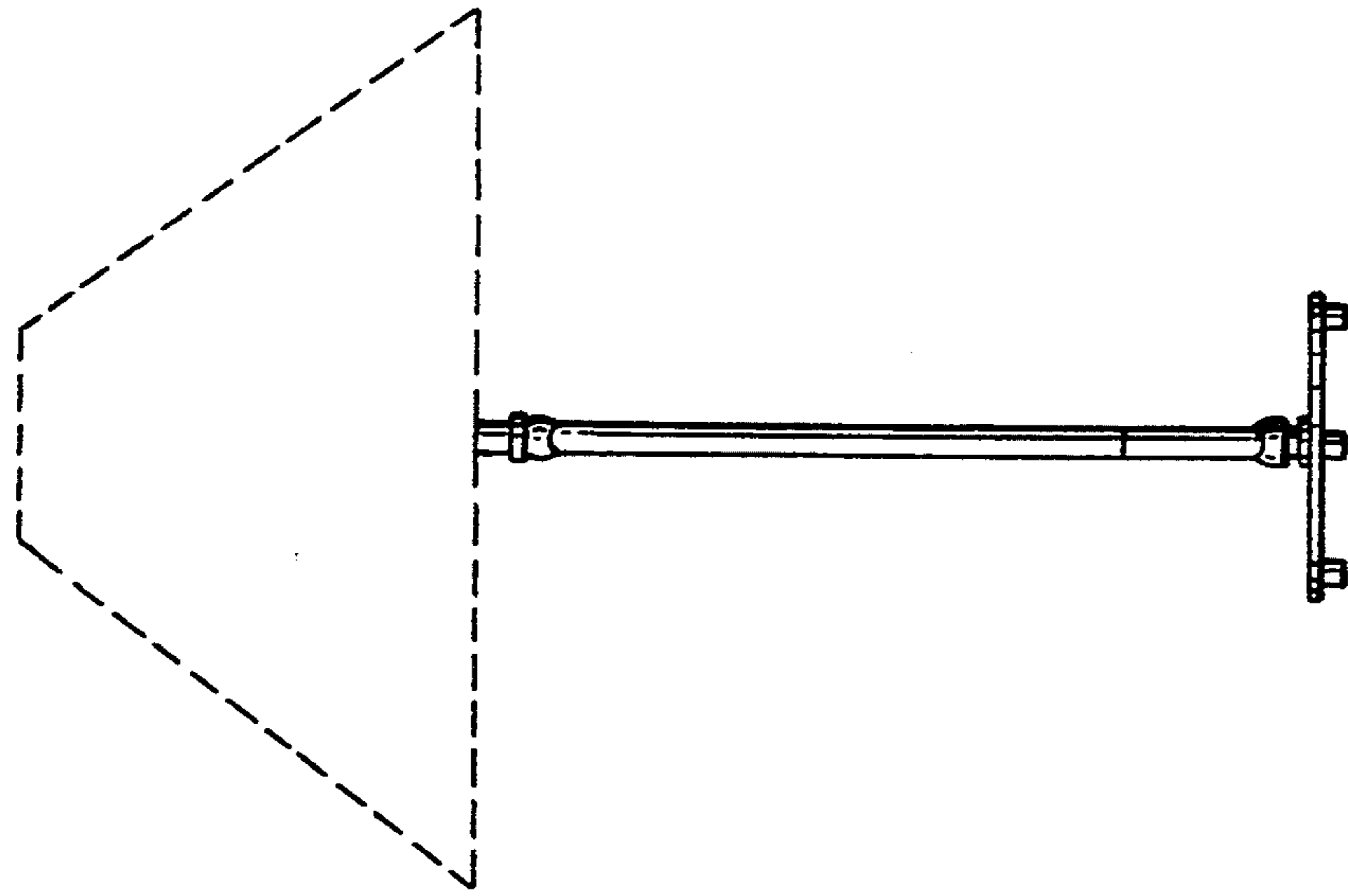


FIG. 3

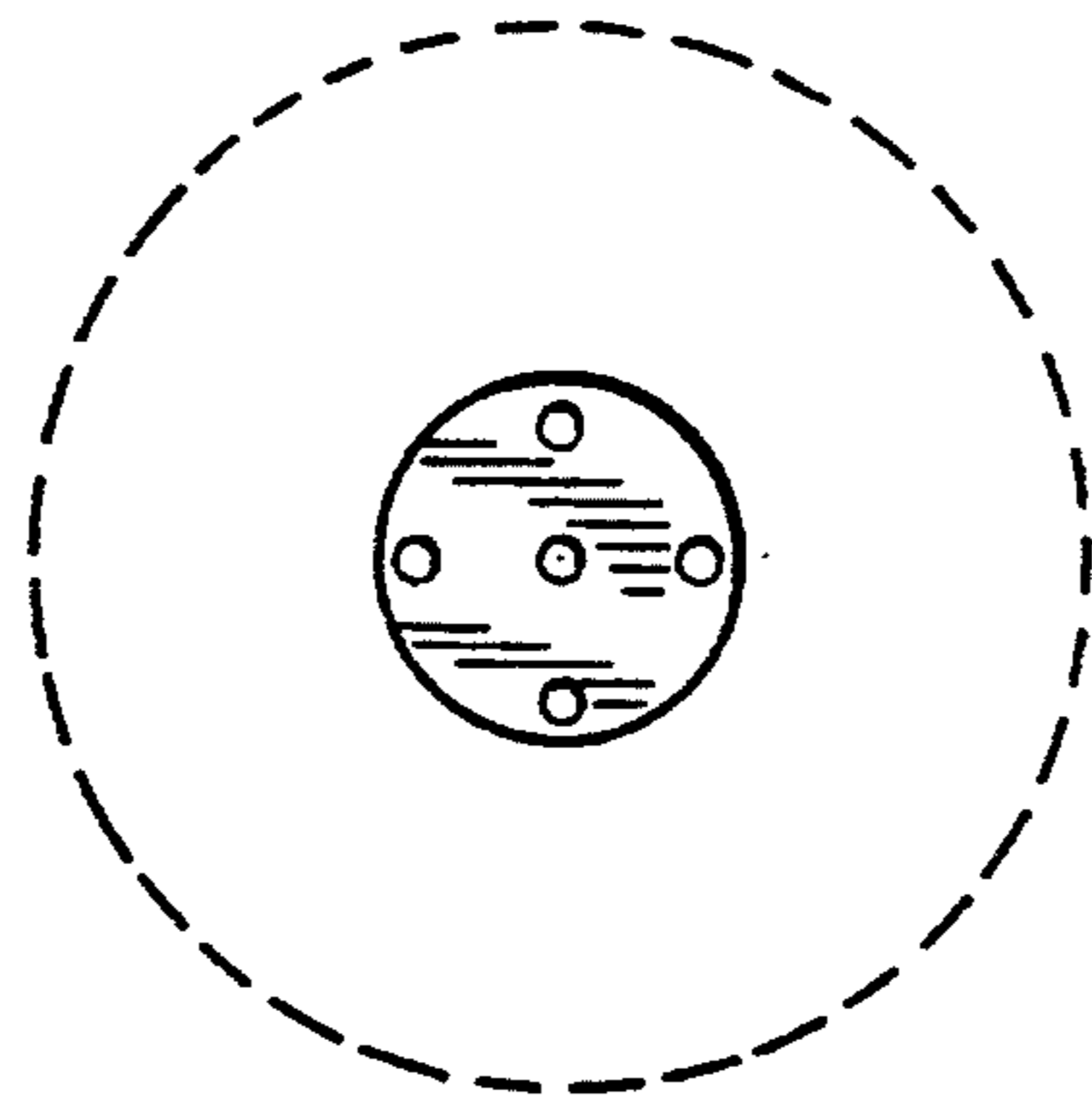


FIG. 2

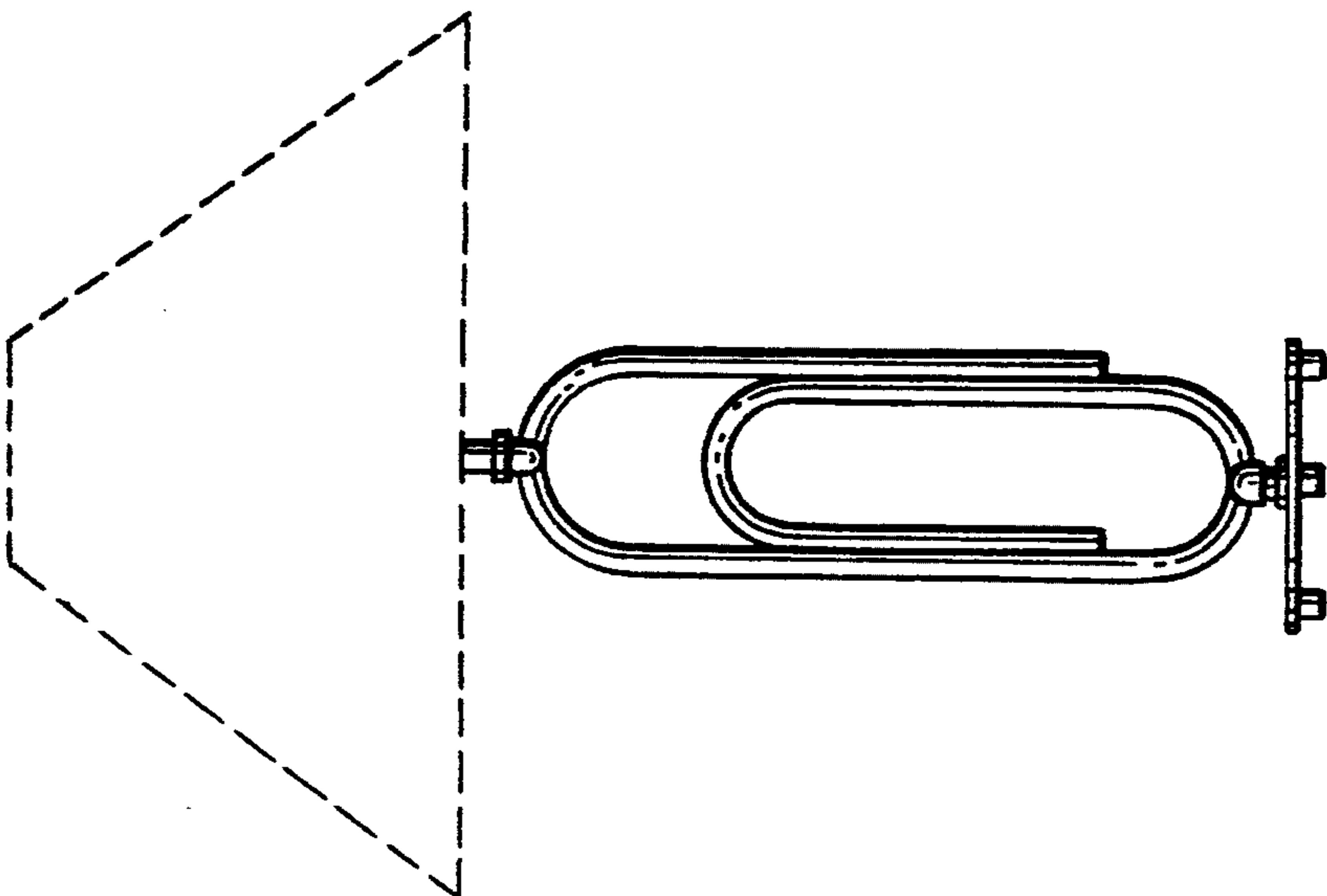


FIG. 1

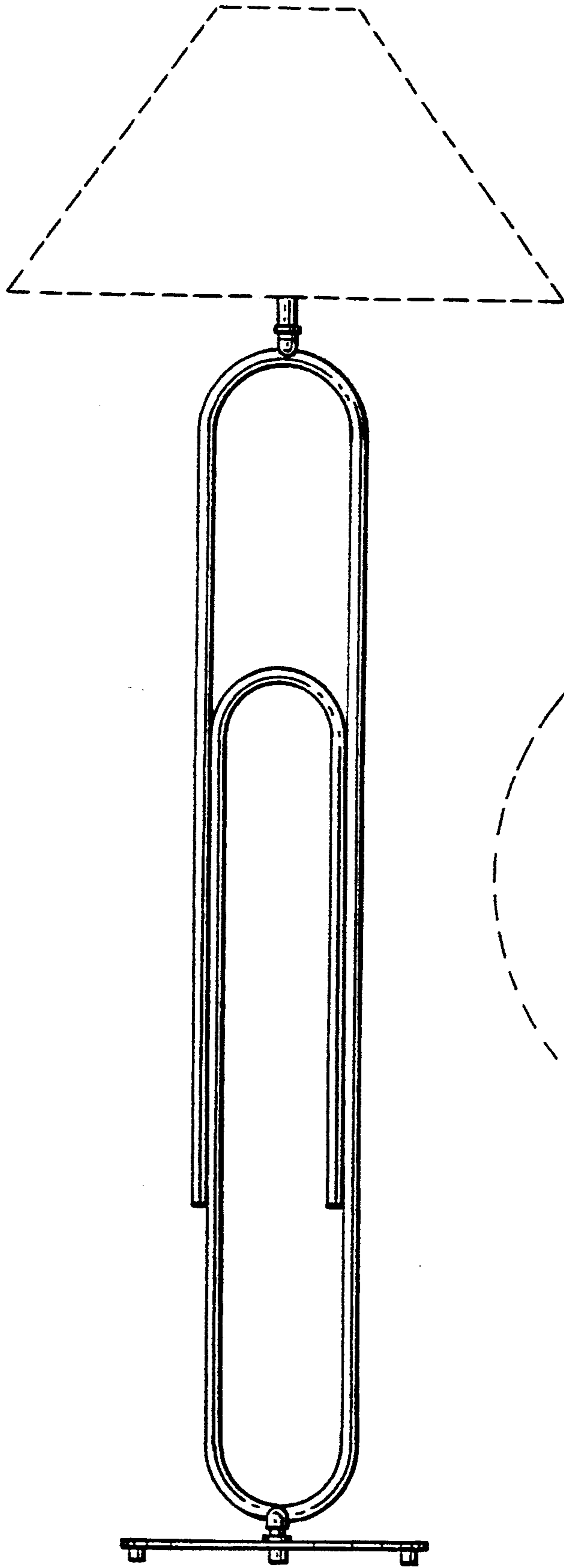


FIG. 4

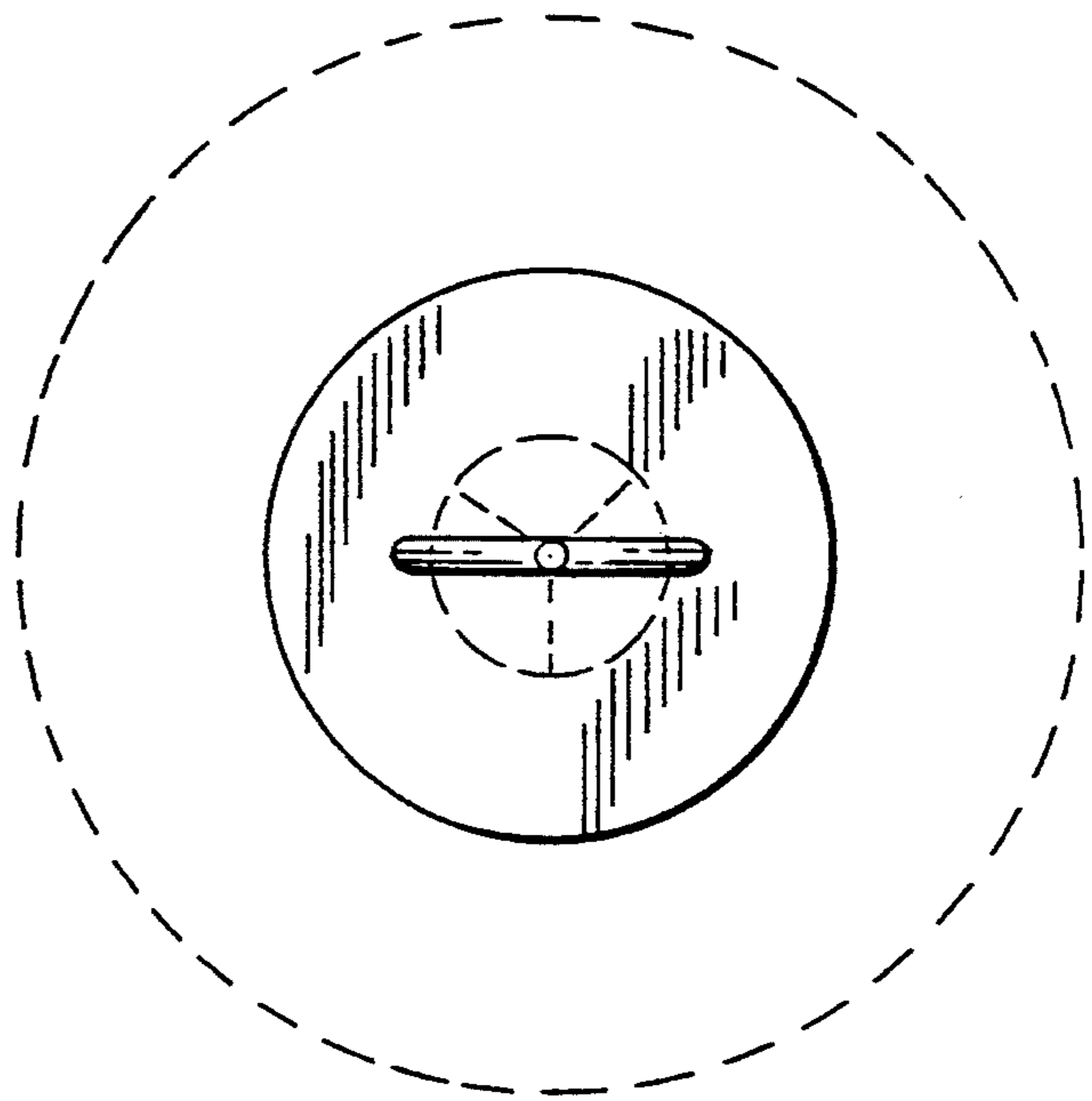


FIG. 5

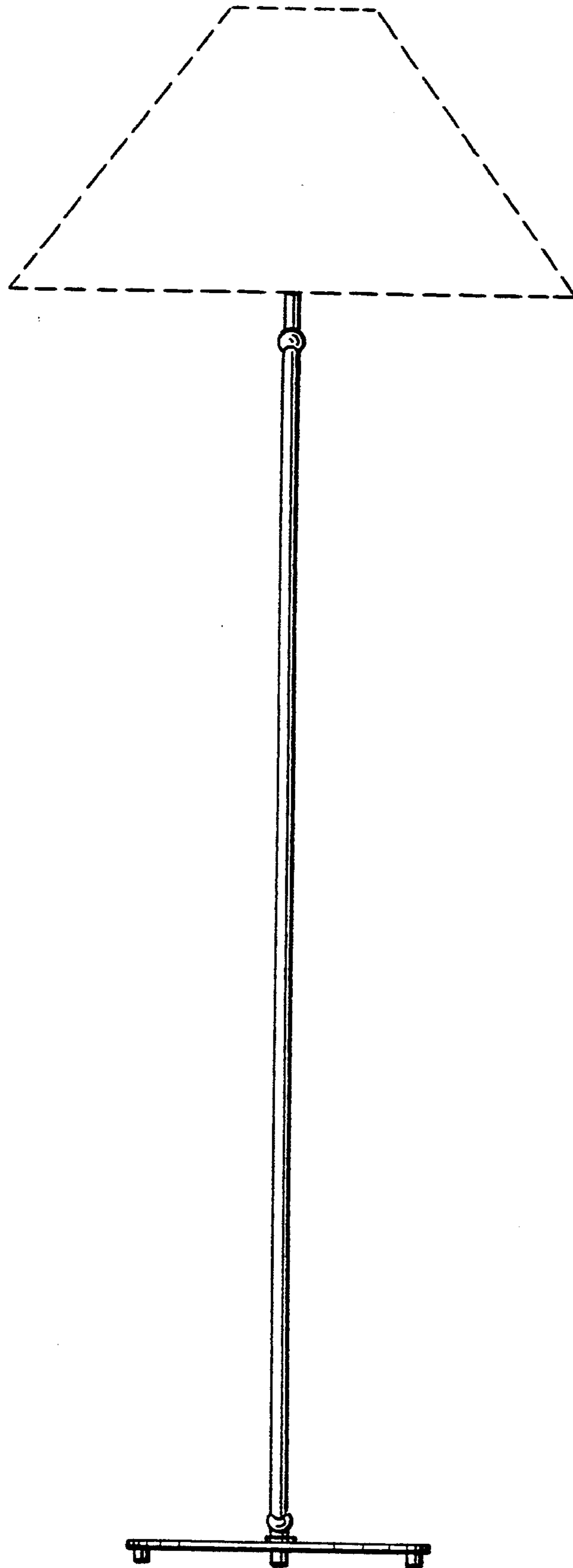


FIG. 6