



US00D356385S

**United States Patent** [19]  
**Pickett**

[11] **Patent Number: Des. 356,385**  
[45] **Date of Patent: \*\* Mar. 14, 1995**

[54] **SCONCE LIGHTING FIXTURE**

[75] **Inventor: Mark A. Pickett, Louisville, Ky.**  
[73] **Assignee: Thomas Industries, Inc., Louisville, Ky.**  
[\*\*] **Term: 14 Years**  
[21] **Appl. No.: 21,444**

[22] **Filed: Apr. 18, 1994**  
[52] **U.S. Cl. .... D26/92**  
[58] **Field of Search ..... D26/72, 80-92, D26/142, 145, 152, 154, 155; 362/147, 404-408, 432**

[56] **References Cited**  
**U.S. PATENT DOCUMENTS**  
989,289 4/1911 Raithel ..... 362/432 X

**OTHER PUBLICATIONS**

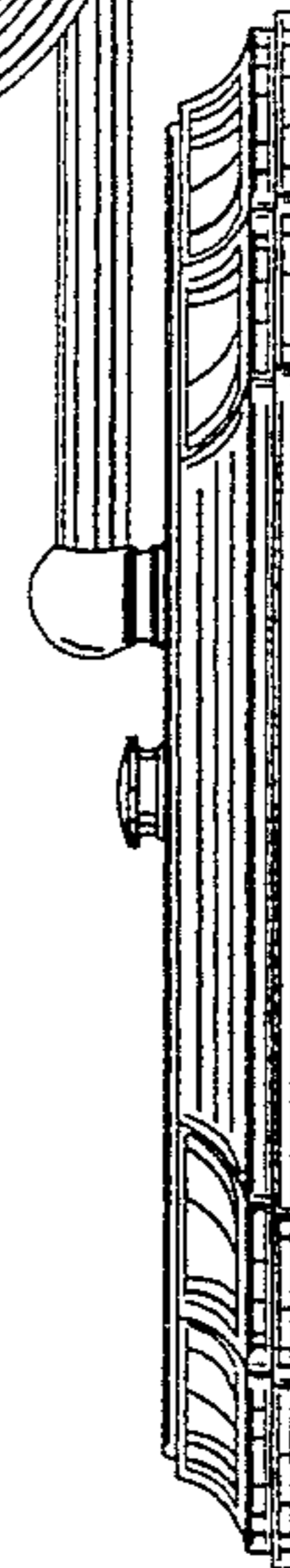
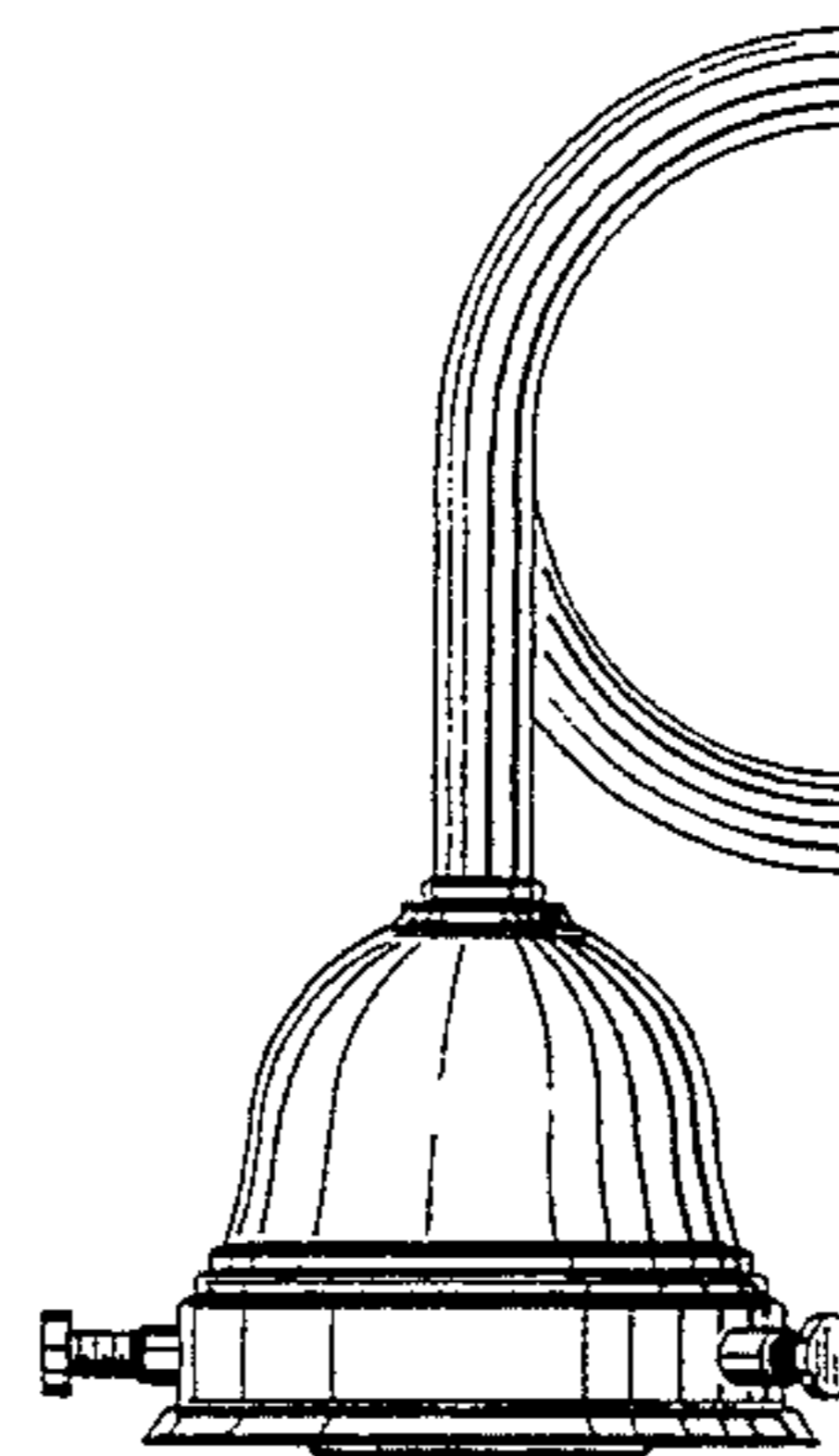
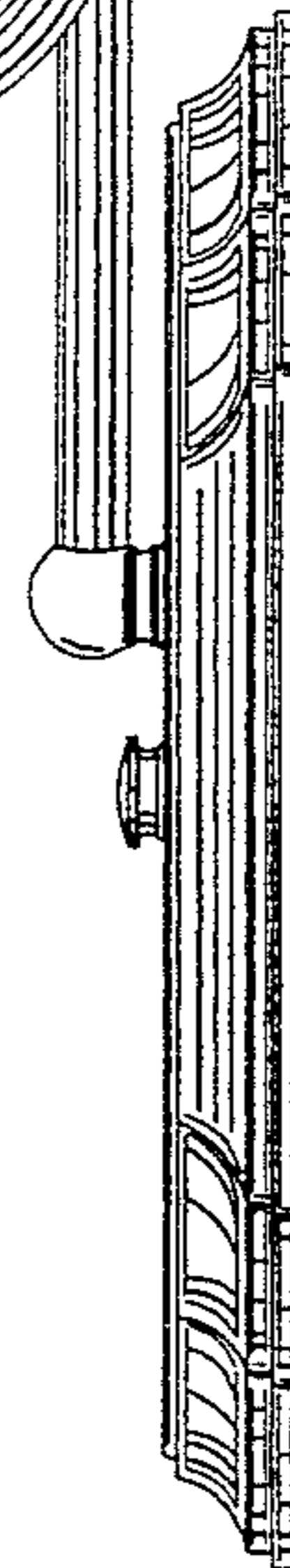
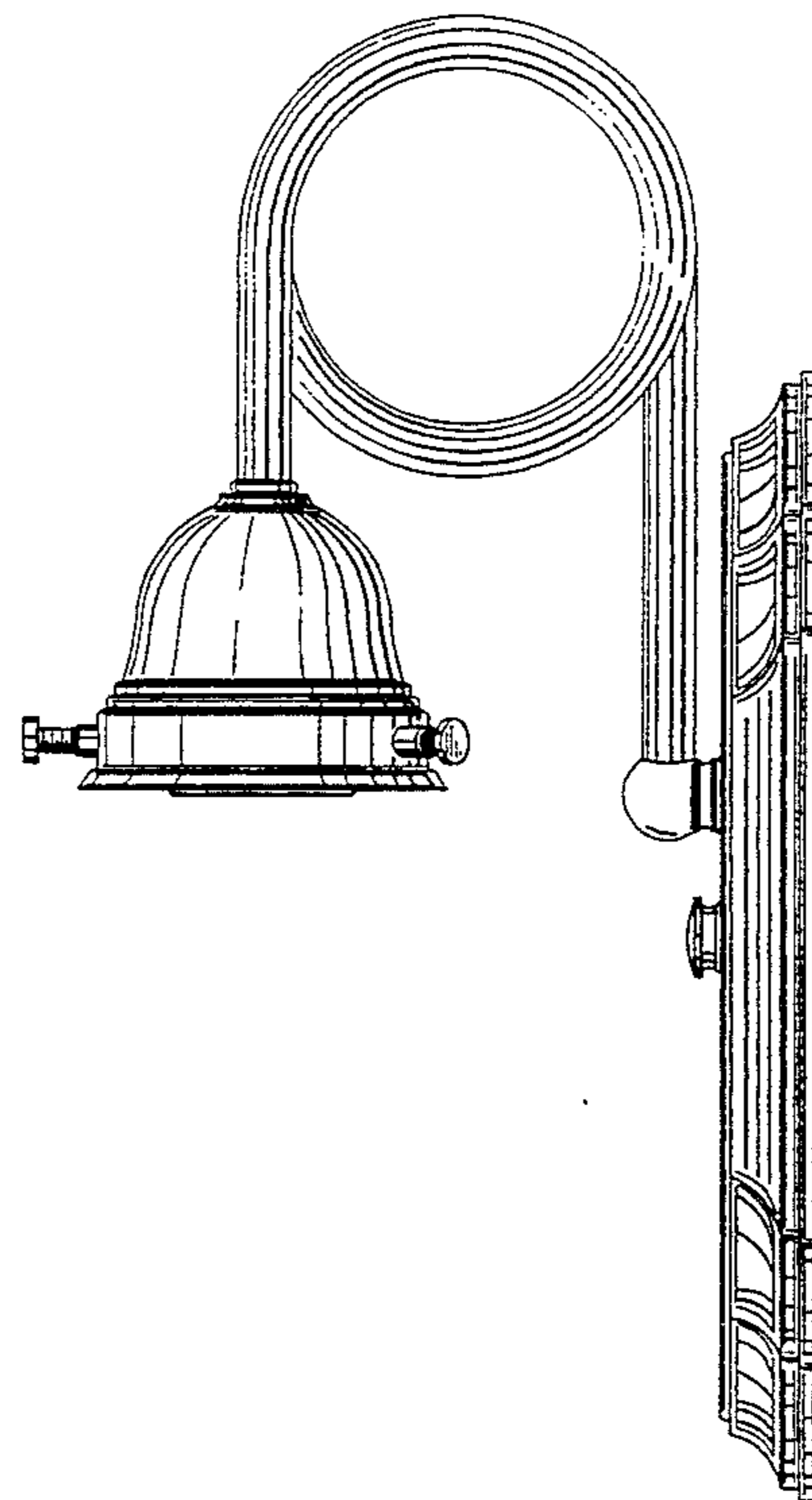
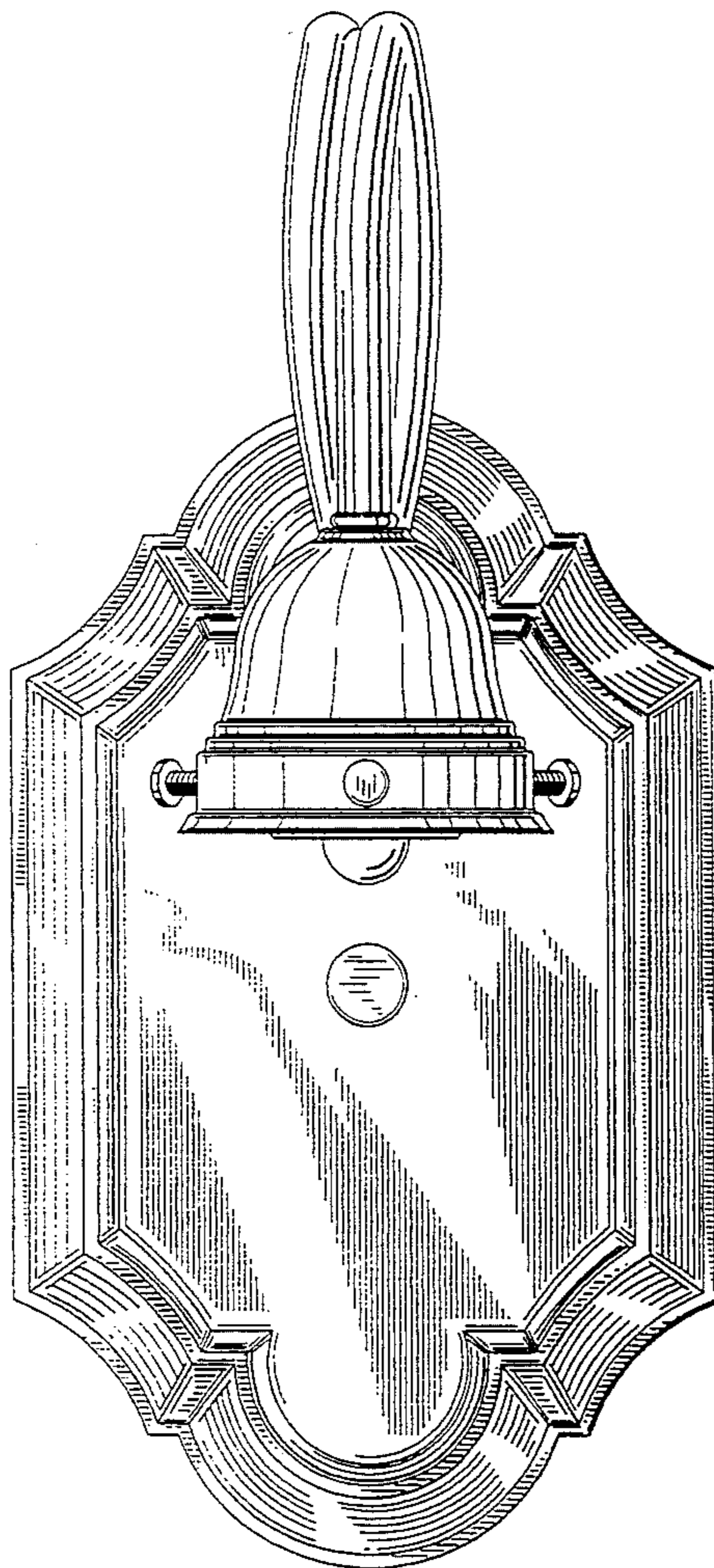
Greene's Light Fixture Catalog, 1989, p. 57, Wall Lamp #7332.  
Kichler Lighting Catalog, ©1989, p. 81, Wall Lamp #6571.  
Progress Lighting Catalog, 1992, p. 23, Wall Lamp #P 3034-15.  
*Primary Examiner*—Susan J. Lucas  
*Attorney, Agent, or Firm*—Hill, Steadman & Simpson

[57] **CLAIM**

The ornamental design for a sconce lighting fixture, as shown and described.

**DESCRIPTION**

FIG. 1 is a front elevational view of a sconce lighting fixture according to this invention;  
FIG. 2 is a top plan view of the fixture of FIG. 1;  
FIG. 3 is a bottom plan view of the fixture of FIG. 1;  
FIG. 4 is a side elevational view on a reduced scale of the fixture of FIG. 1 taken from the right side thereof; and,  
FIG. 5 is a side elevational view on a reduced scale of the fixture of FIG. 1 taken from the left side thereof.



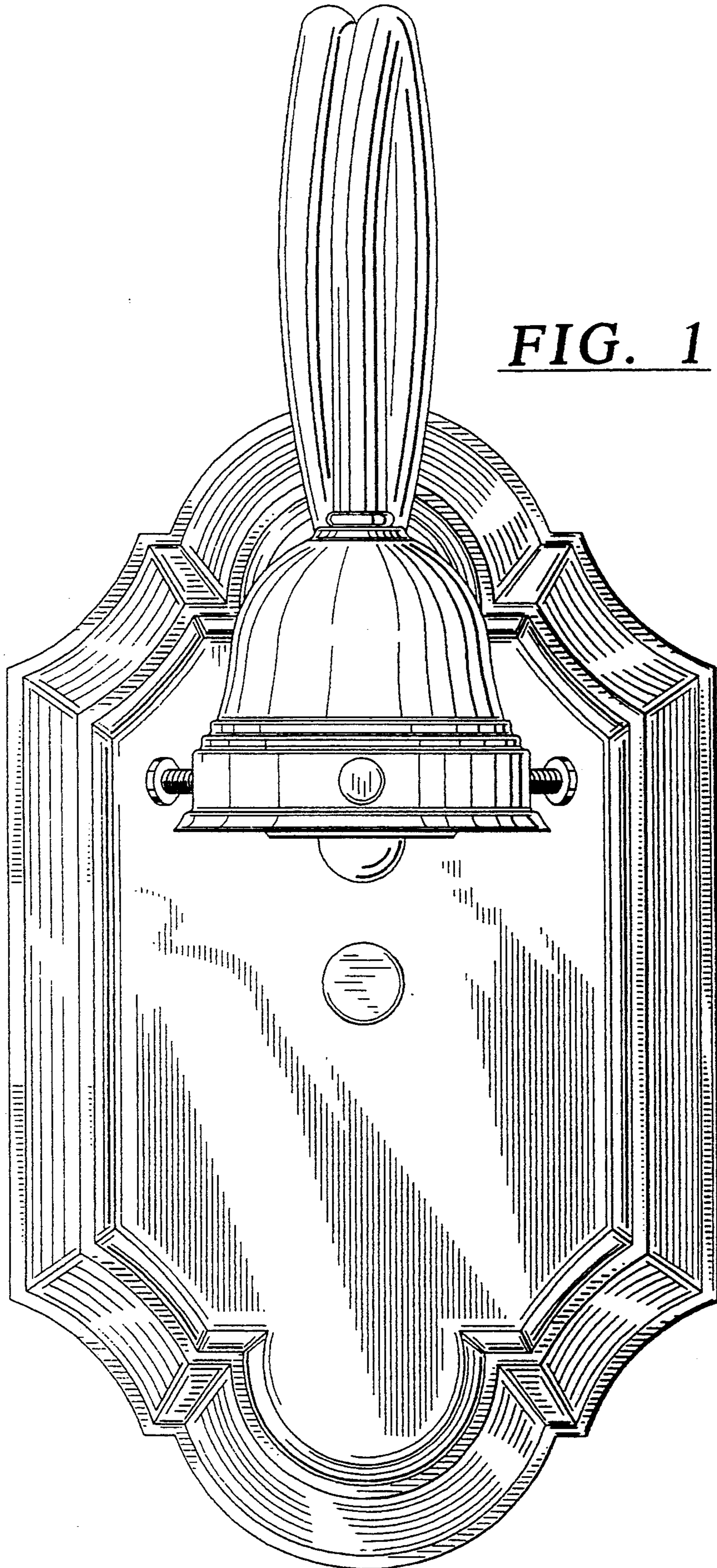
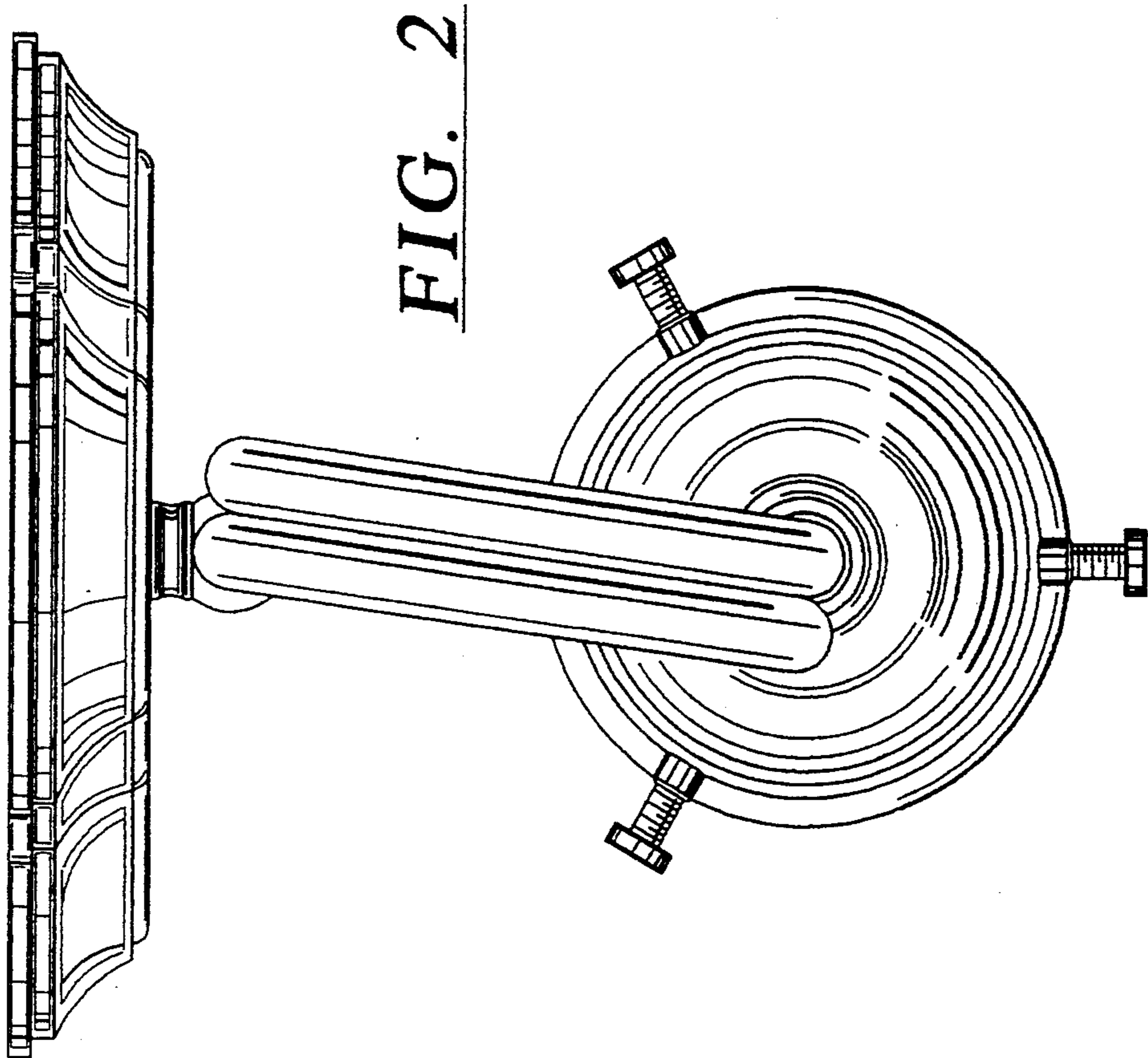
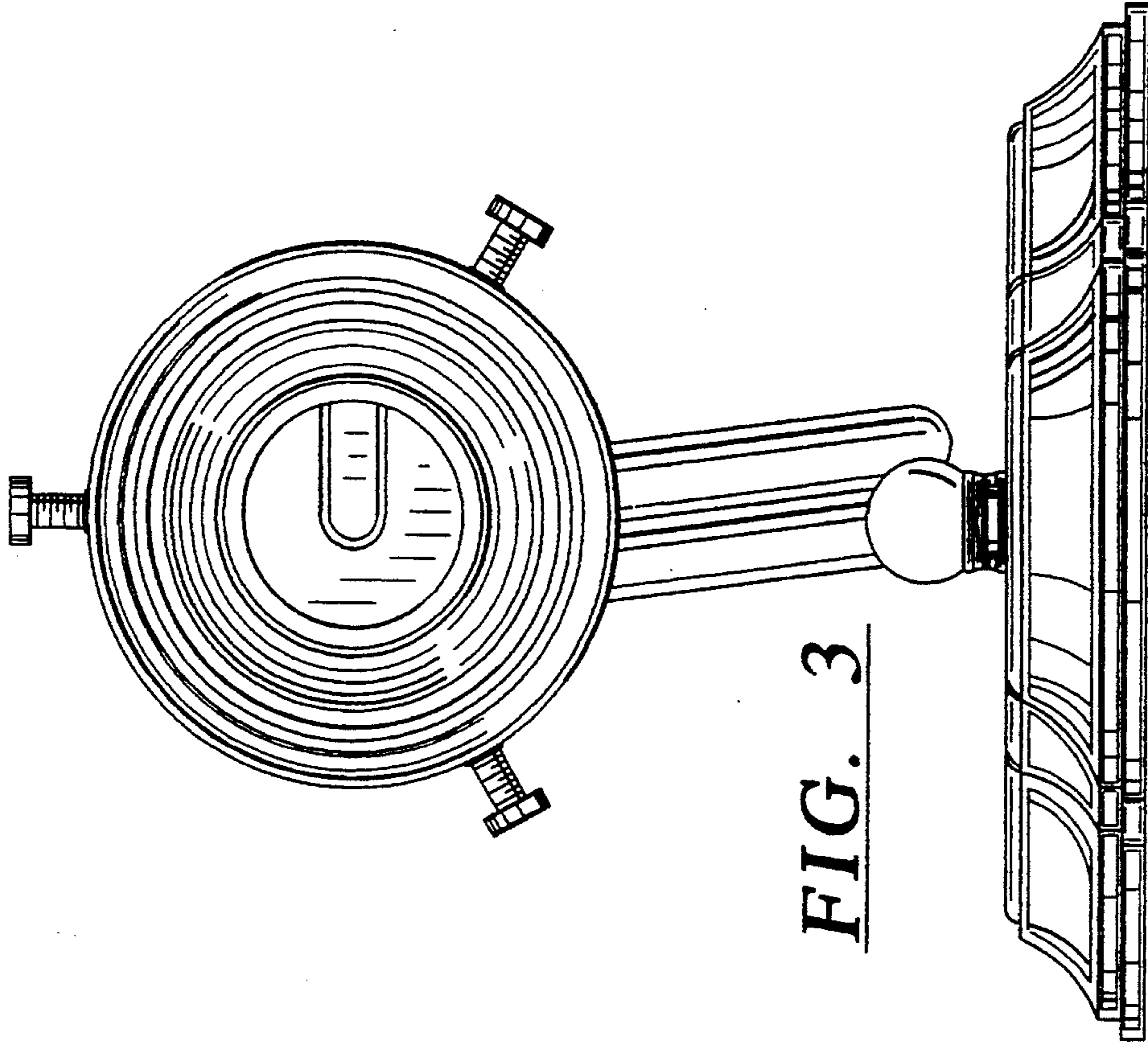


FIG. 1





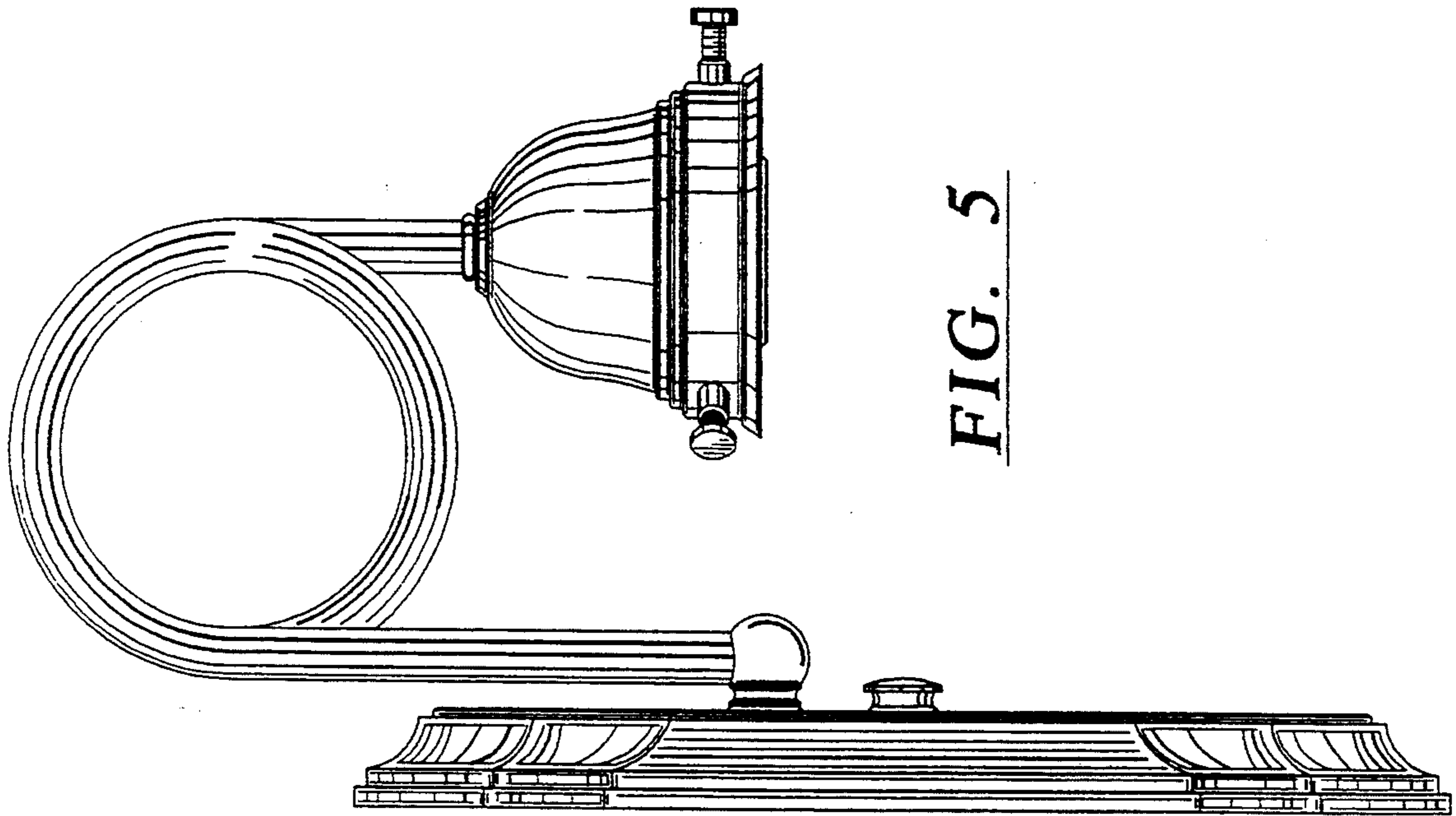


FIG. 5

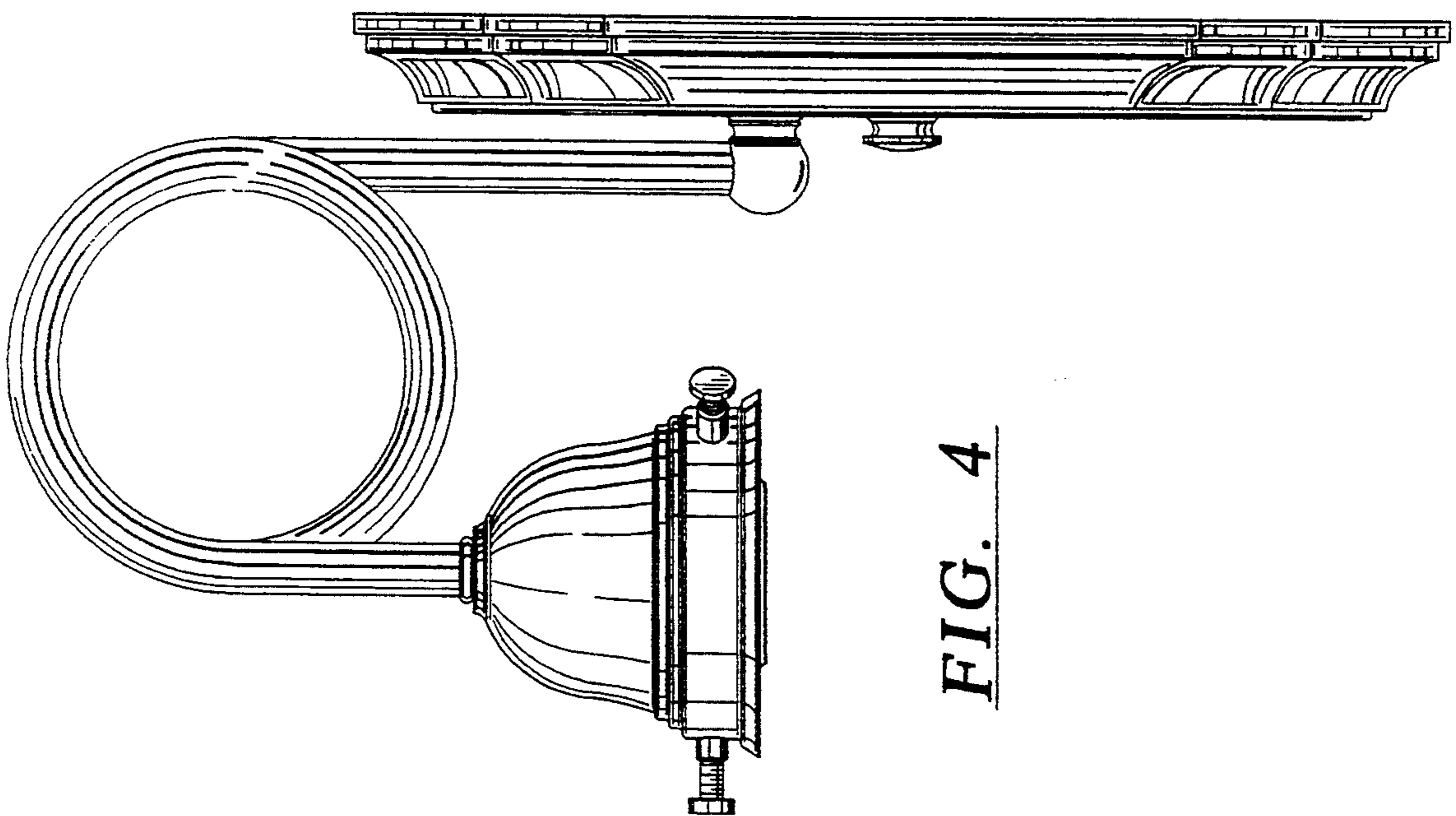


FIG. 4