



US00D356384S

United States Patent [19] Pickett

[11] Patent Number: **Des. 356,384**

[45] Date of Patent: **** Mar. 14, 1995**

[54] WALL SUPPORTED LIGHTING FIXTURE

[75] Inventor: **Mark A. Pickett**, Louisville, Ky.

[73] Assignee: **Thomas Industries, Inc.**, Louisville, Ky.

[**] Term: **14 Years**

[21] Appl. No.: **21,441**

[22] Filed: **Apr. 18, 1994**

[52] U.S. Cl. **D26/92**

[58] Field of Search **D26/72, 80-92,
D26/142, 145, 152, 155, 154; 362/147, 404-408,
432**

[56] **References Cited**

U.S. PATENT DOCUMENTS

989,289 4/1911 Raithel 362/432 X

OTHER PUBLICATIONS

Greene's Light Fixture Catalog, 1989, p. 57, Wall Lamp #7332.

Kichler Lighting Catalog, ©1989, p. 81, Wall Lamp #K-5265.

Progress Lighting Catalog, 1992, p. 23, Wall Lamp #P3036-10.

Primary Examiner—Susan J. Lucas

Attorney, Agent, or Firm—Hill, Steadman & Simpson

[57] **CLAIM**

The ornamental design for a wall supported lighting fixture, as shown and described.

DESCRIPTION

FIG. 1 is a front elevational view of the wall supported lighting fixture according to this invention;

FIG. 2 is a top plan view of the fixture of FIG. 1;

FIG. 3 is a bottom plan view of the fixture of FIG. 1;

FIG. 4 is a side elevational view on an enlarged scale of the fixture of FIG. 1 taken from the left side thereof; and,

FIG. 5 is a side elevational view on an enlarged scale of the fixture of FIG. 1 taken from the right side thereof.

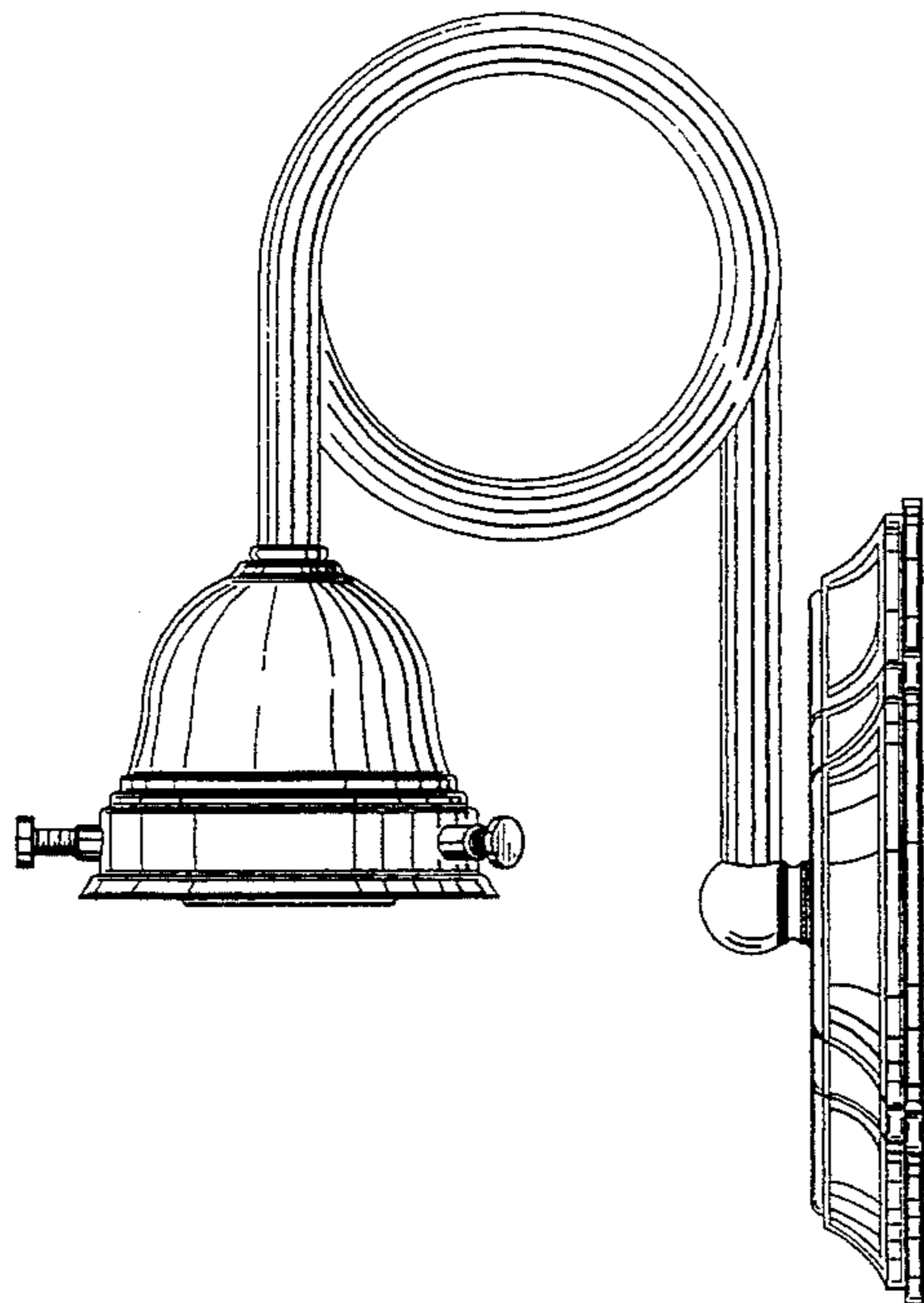
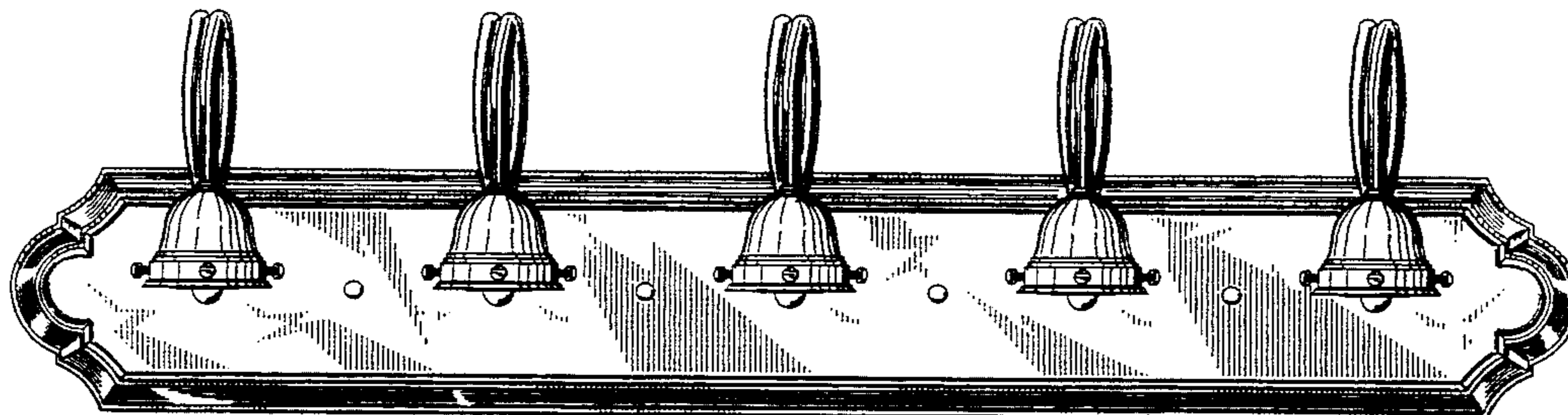


FIG. 1

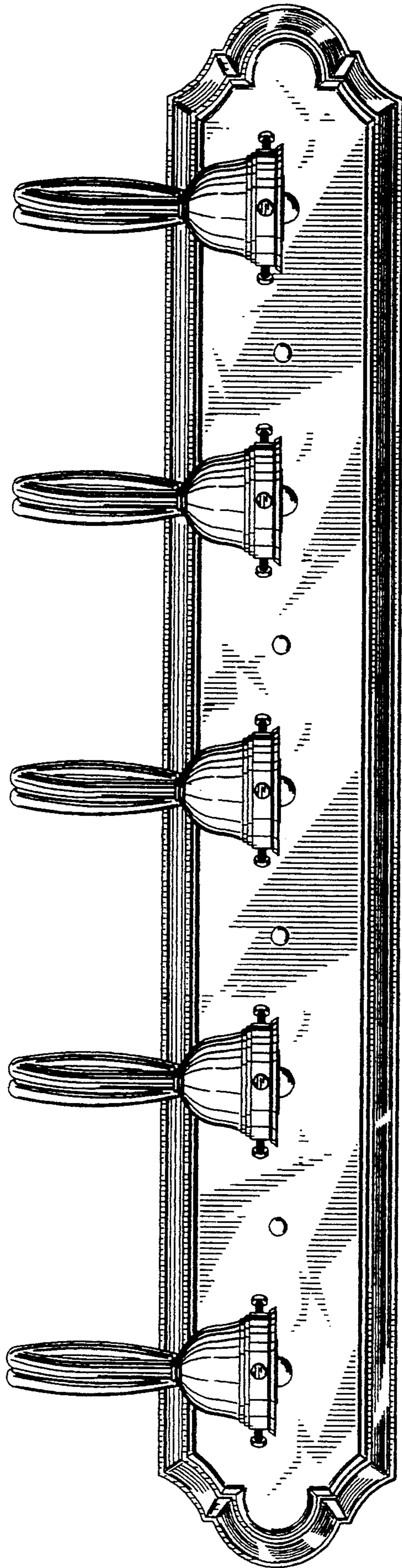


FIG. 2

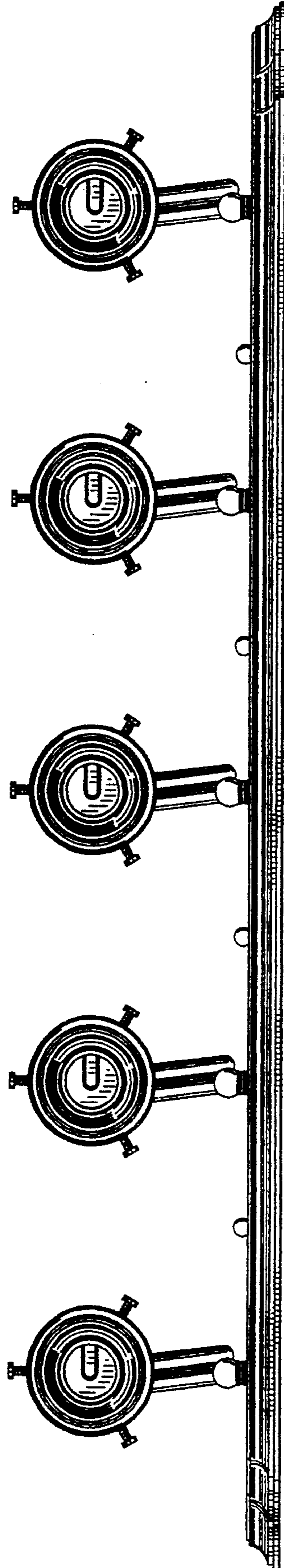
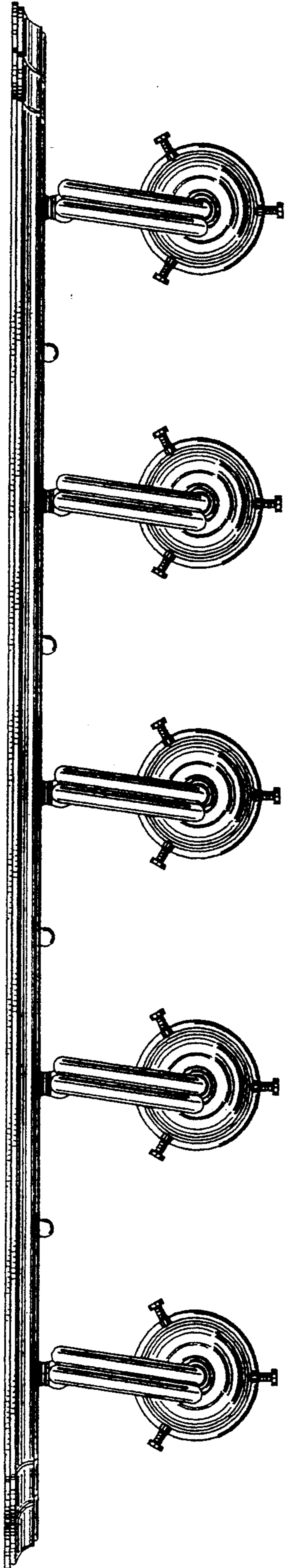


FIG. 3

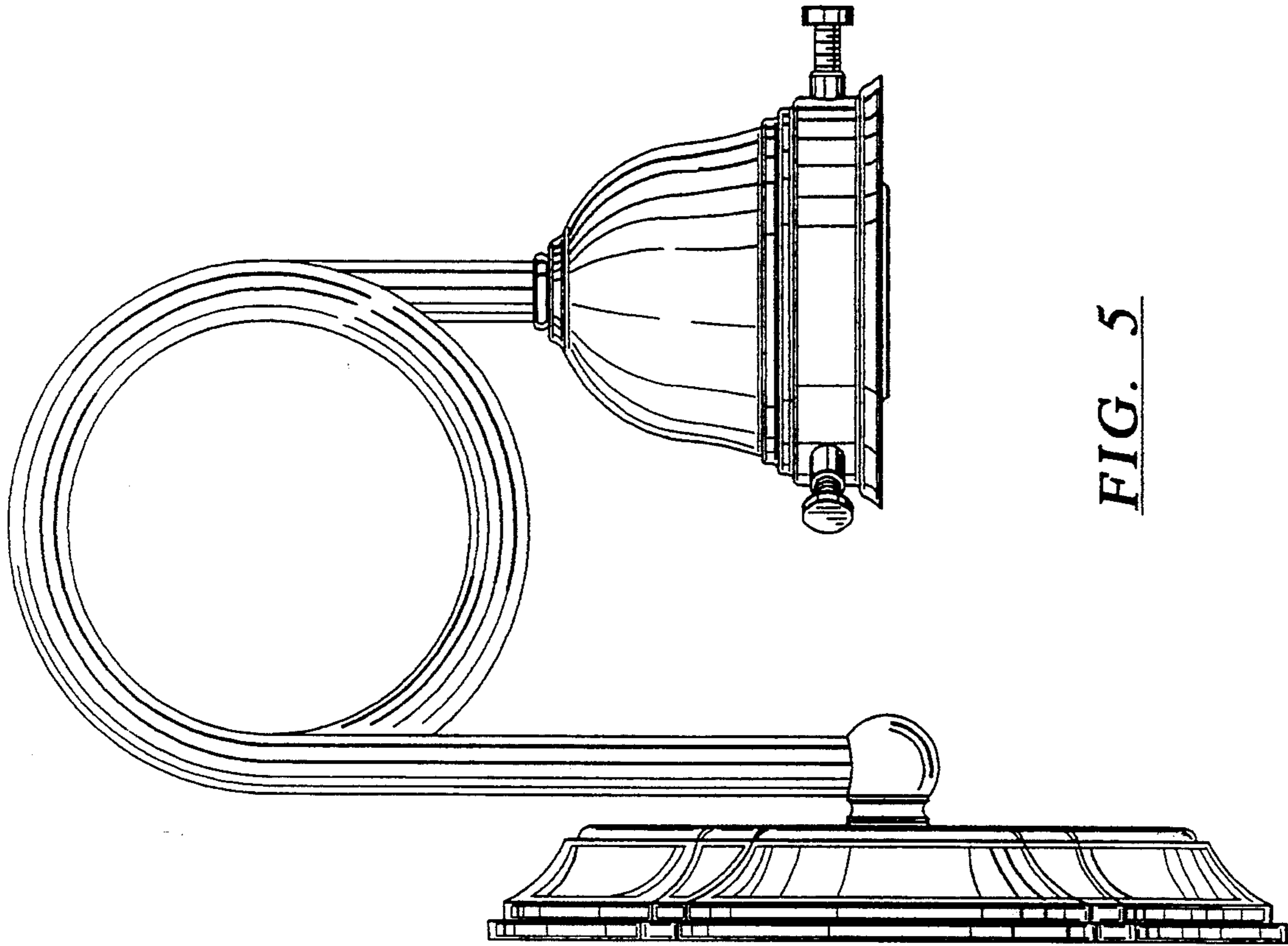


FIG. 4

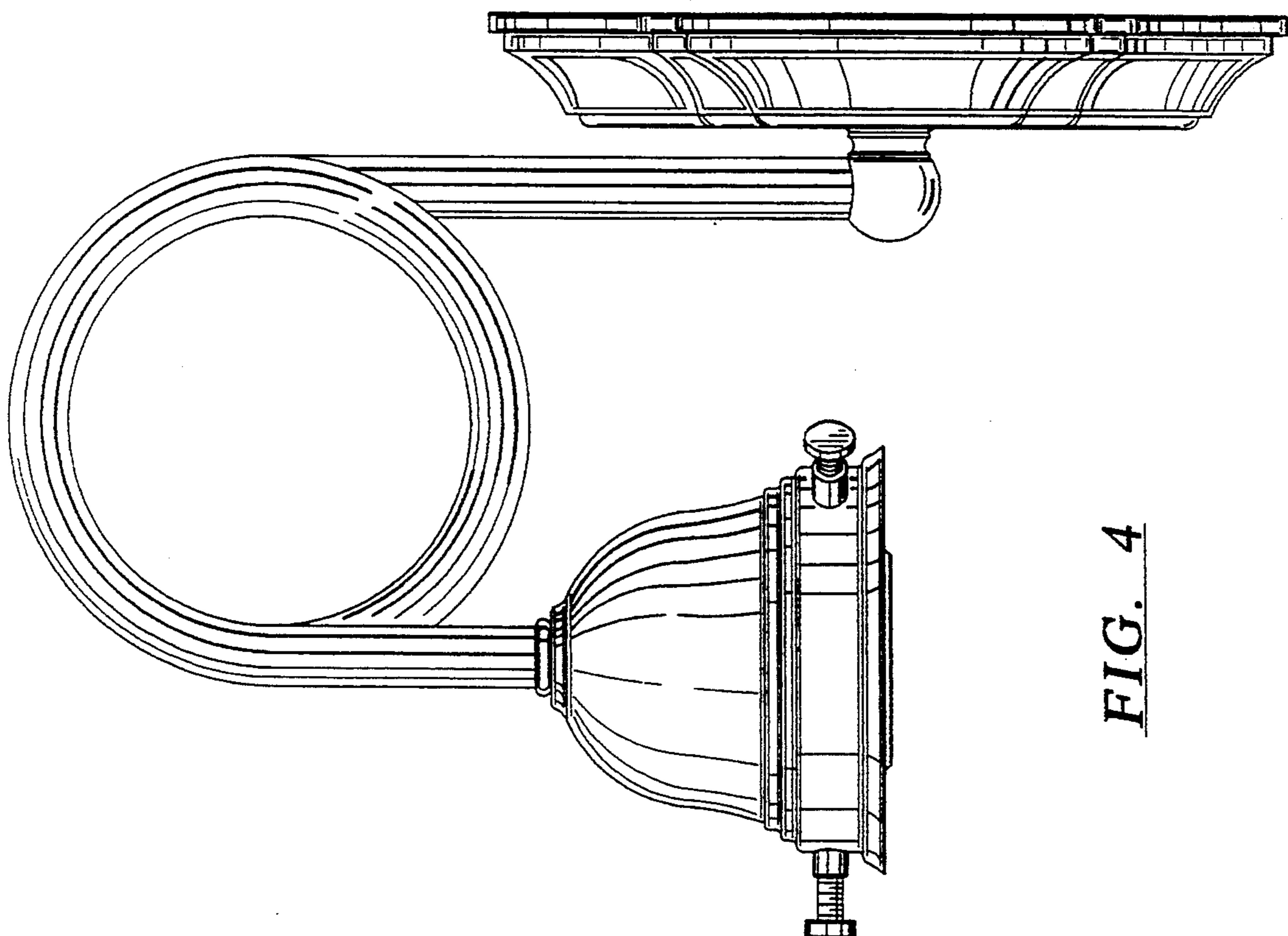


FIG. 5