



US00D356383S

United States Patent [19]
Pickett

[11] **Patent Number: Des. 356,383**

[45] **Date of Patent: ** Mar. 14, 1995**

[54] **WALL SUPPORTED LIGHTING FIXTURE**

[56]

References Cited

PUBLICATIONS

[75] **Inventor: Mark A. Pickett, Louisville, Ky.**

Kichler Lighting Catalog, ©1989, p. 81, Wall Lamp #K-5263 (Gr.)

[73] **Assignee: Thomas Industries, Inc., Louisville, Ky.**

Primary Examiner—Susan J. Lucas
Attorney, Agent, or Firm—Hill, Steadman & Simpson

[**] **Term: 14 Years**

[57]

CLAIM

The ornamental design for a wall supported lighting fixture, as shown and described.

[21] **Appl. No.: 21,443**

DESCRIPTION

[22] **Filed: Apr. 18, 1994**

[52] **U.S. Cl. D26/87; D26/142**

[58] **Field of Search D26/72, 80-92, D26/142, 145, 152, 154, 155; 362/147, 404-408, 432**

FIG. 1 is a front elevational view of a wall supported lighting fixture according to this invention; FIG. 2 is a top plan view of the fixture of FIG. 1; FIG. 3 is a bottom plan view of the fixture of FIG. 1; FIG. 4 is a side elevational view on an enlarged scale of the fixture of FIG. 1 taken from the right side thereof; and, FIG. 5 is a side elevational view on an enlarged scale of the fixture of FIG. 1 taken from the left side thereof.

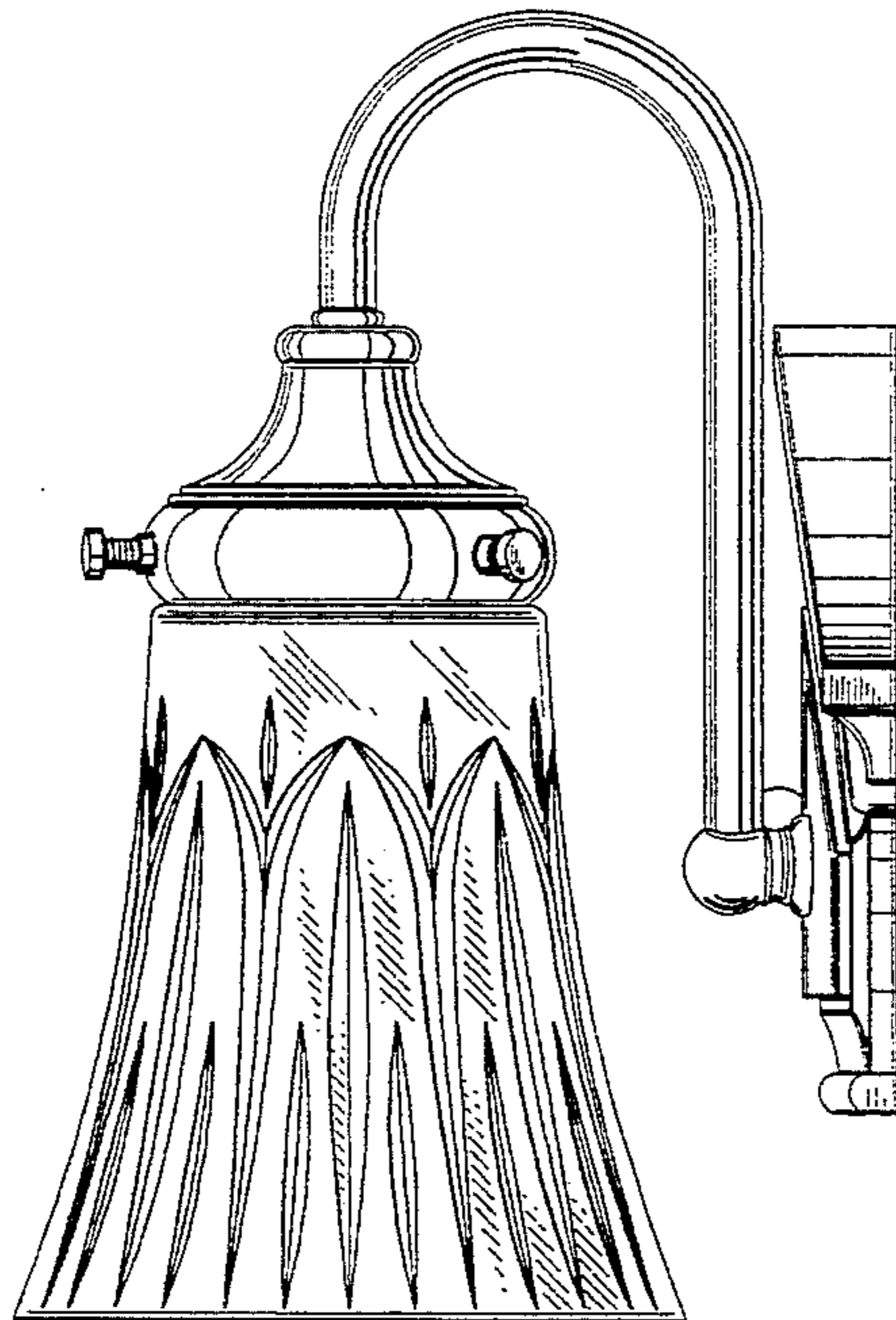
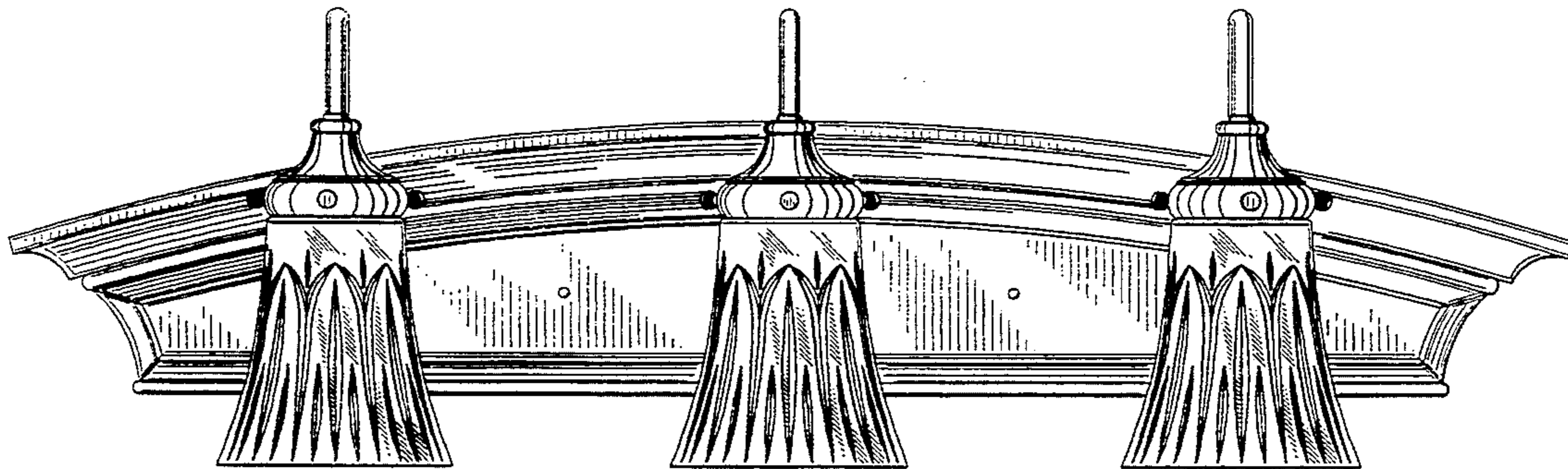


FIG. 1

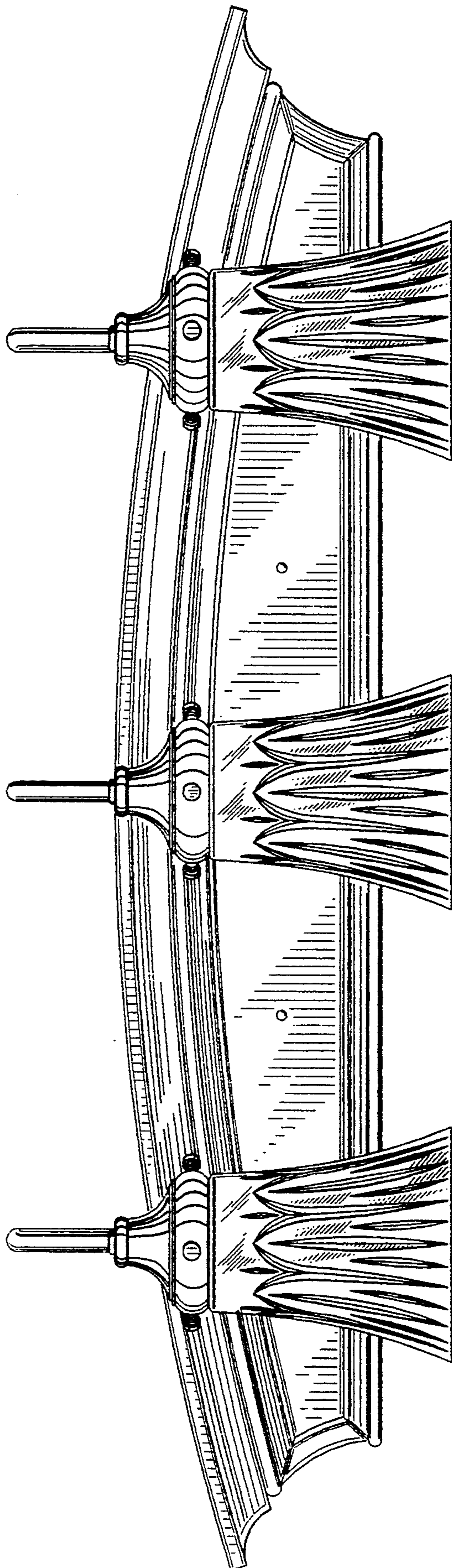


FIG. 2

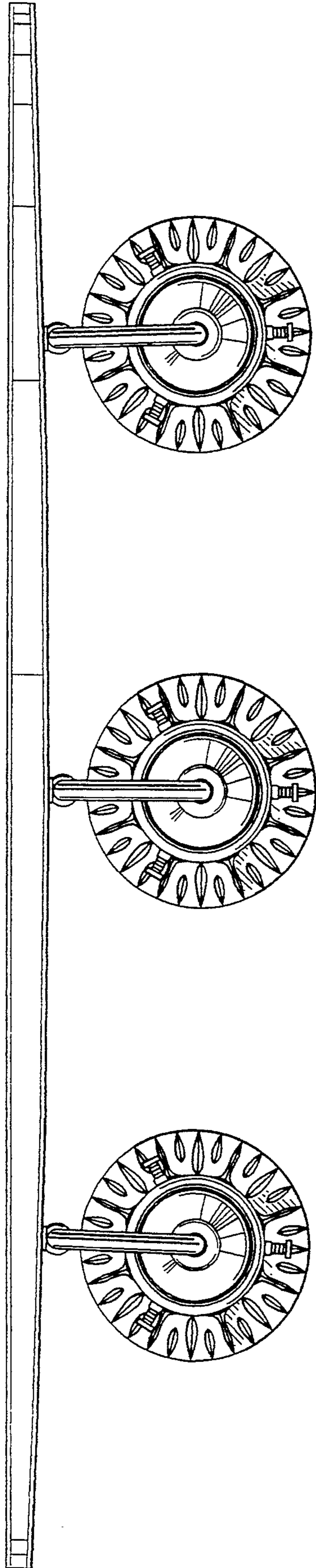


FIG. 3

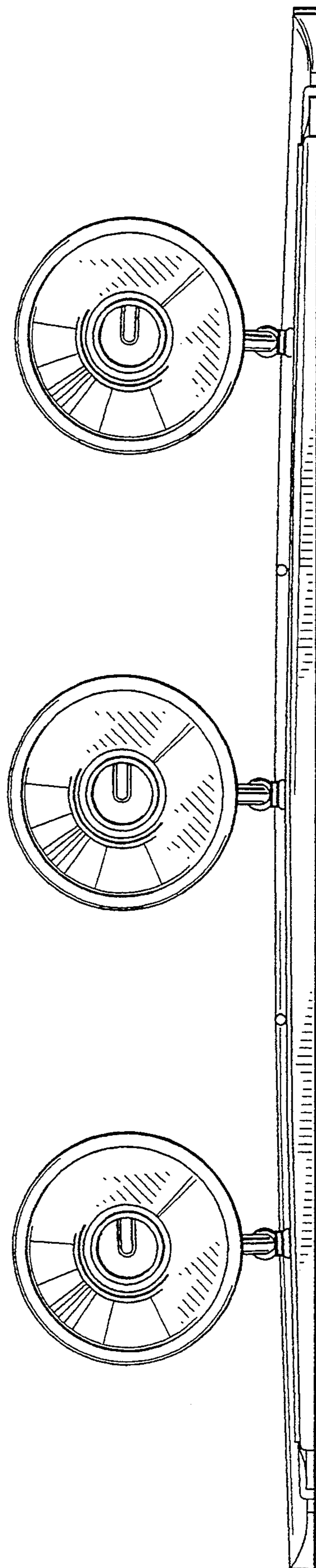


FIG. 5

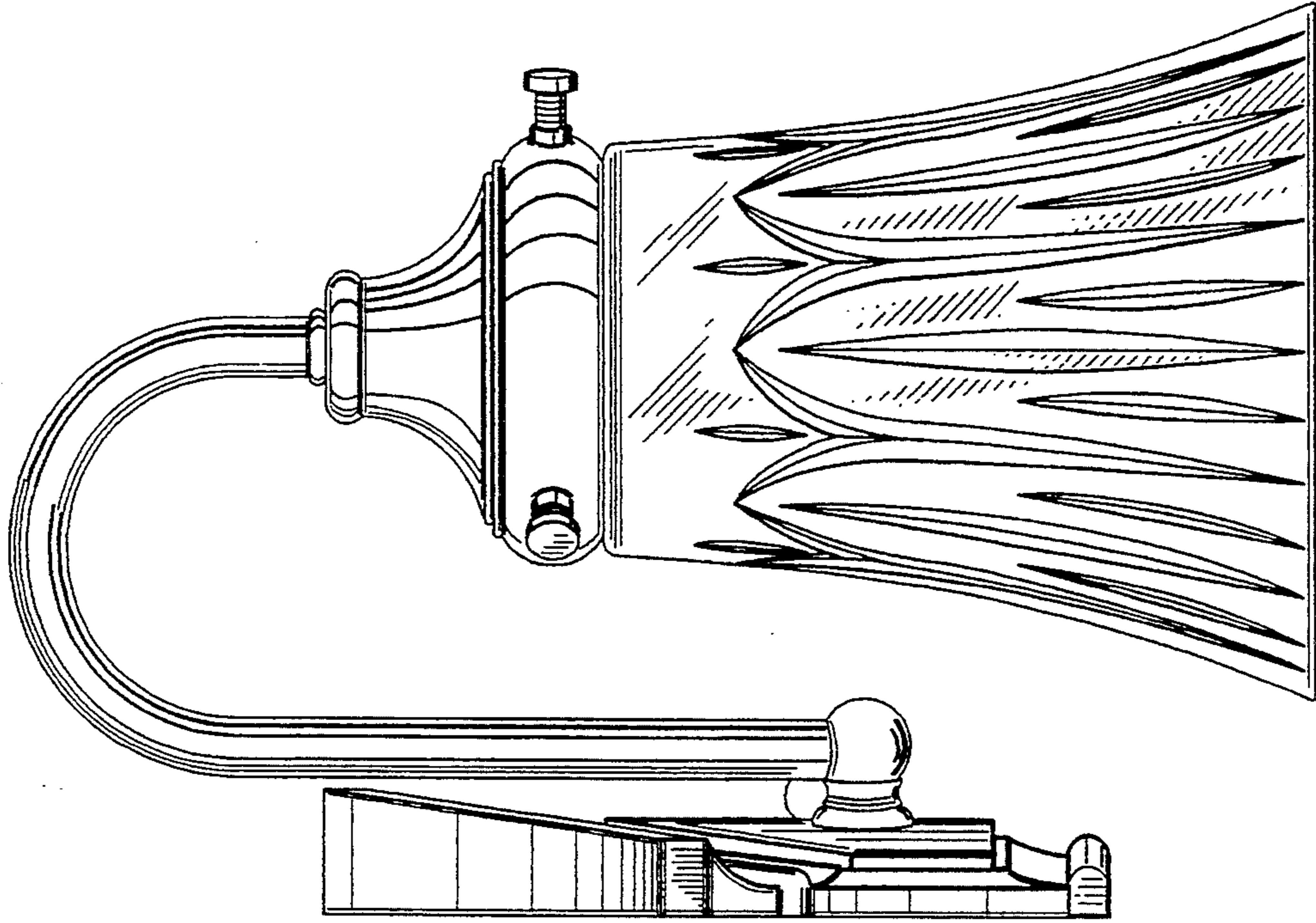


FIG. 4

