



US00D356379S

United States Patent [19]

[11] Patent Number: **Des. 356,379**

Ibinger

[45] Date of Patent: **** Mar. 14, 1995**

[54] **BOTTLE HOLDER**

2,539,698 1/1951 Pearson 248/104
2,772,801 12/1956 Schwortz D24/199 X

[75] Inventor: **Paul Ibinger**, Hudson, Wis.

Primary Examiner—Stella Reid
Attorney, Agent, or Firm—Joel Skinner

[73] Assignee: **Eji, Inc.**, Hudson, Wis.

[**] Term: **14 Years**

[57] **CLAIM**

[21] Appl. No.: **15,808**

The ornamental design for a bottle holder, as shown and described.

[22] Filed: **Nov. 29, 1993**

[52] U.S. Cl. **D24/199**

DESCRIPTION

[58] Field of Search **D24/199; 248/102, 103, 248/104**

FIG. 1 is a perspective view of a bottle holder showing my new design;

[56] **References Cited**

U.S. PATENT DOCUMENTS

D. 337,162 7/1993 Rollins D24/199
2,457,972 1/1949 Bailey 248/103

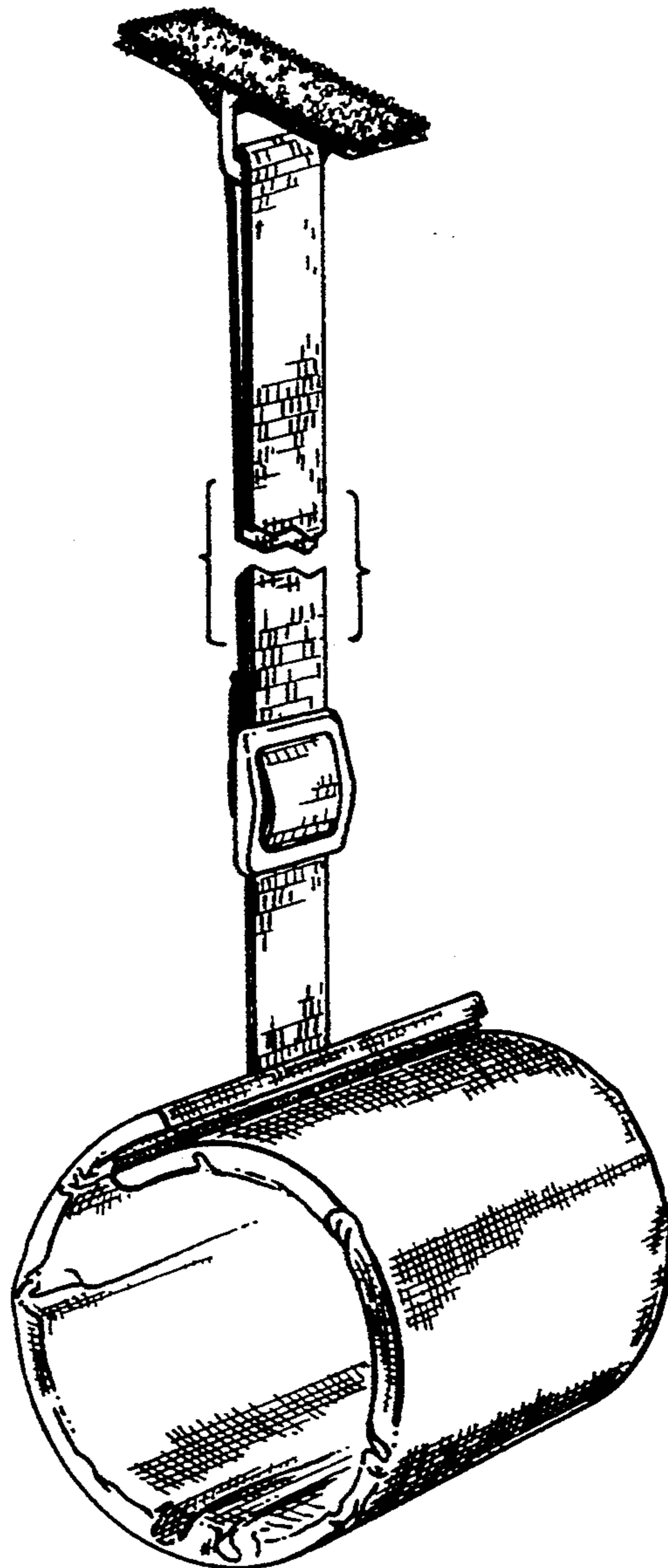
FIG. 2 is a front view thereof;

FIG. 3 is a side view thereof;

FIG. 4 is a back view thereof;

FIG. 5 is a top plan view thereof; and,

FIG. 6 is a bottom view thereof.



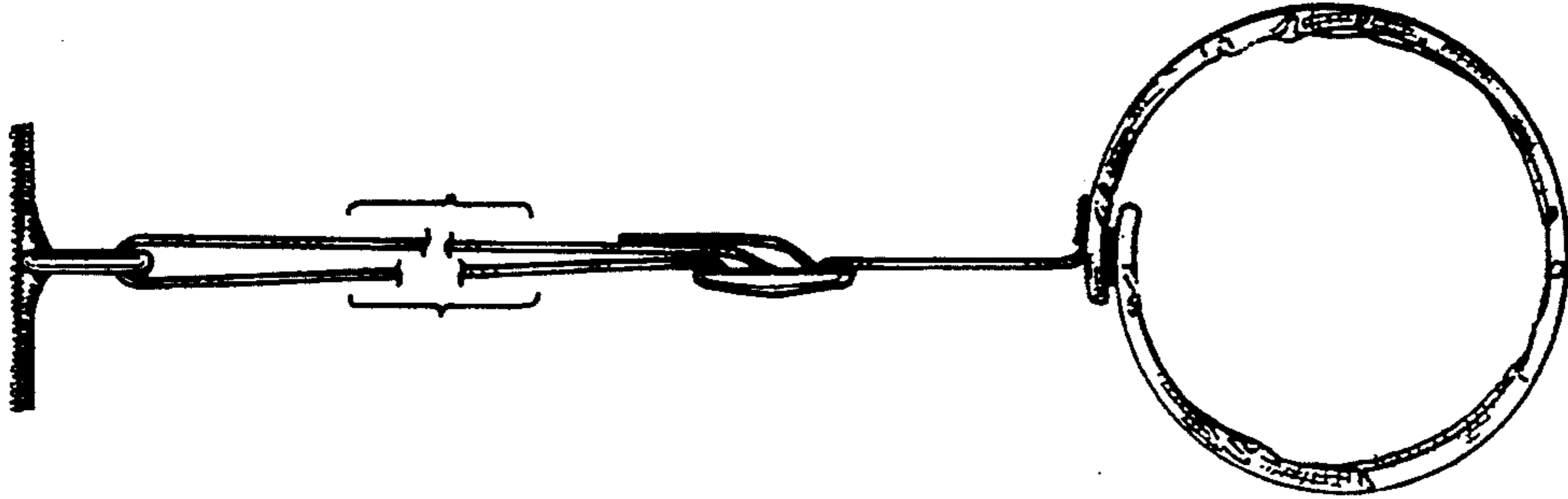


Fig. 3

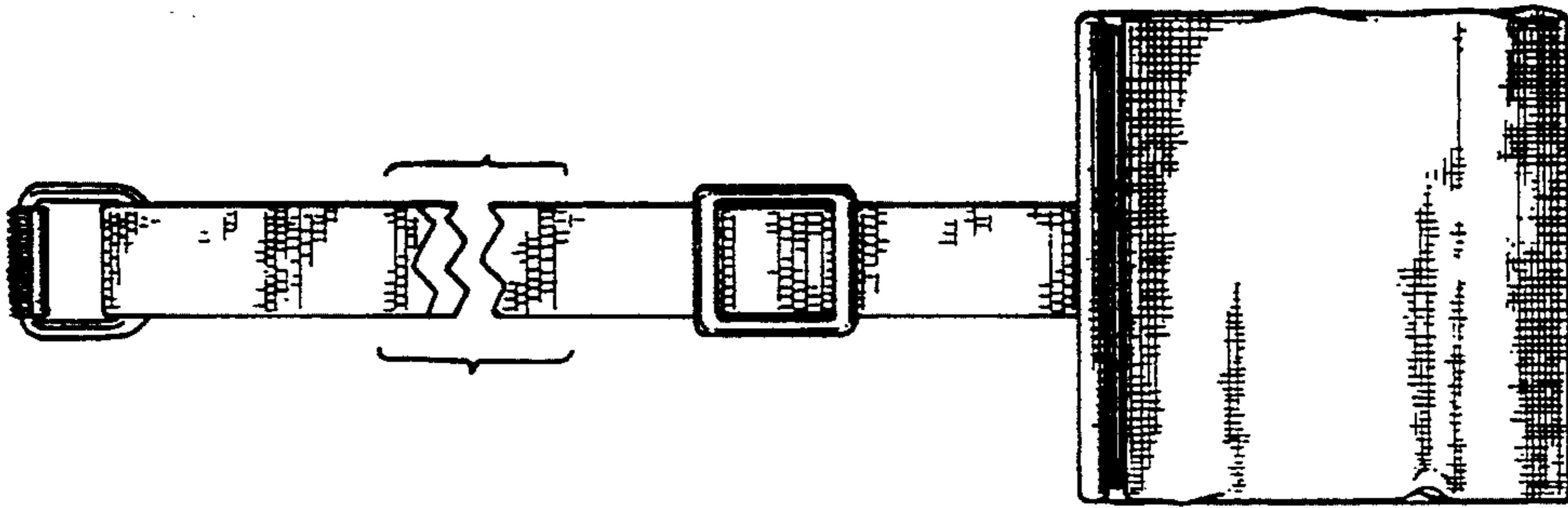


Fig. 2

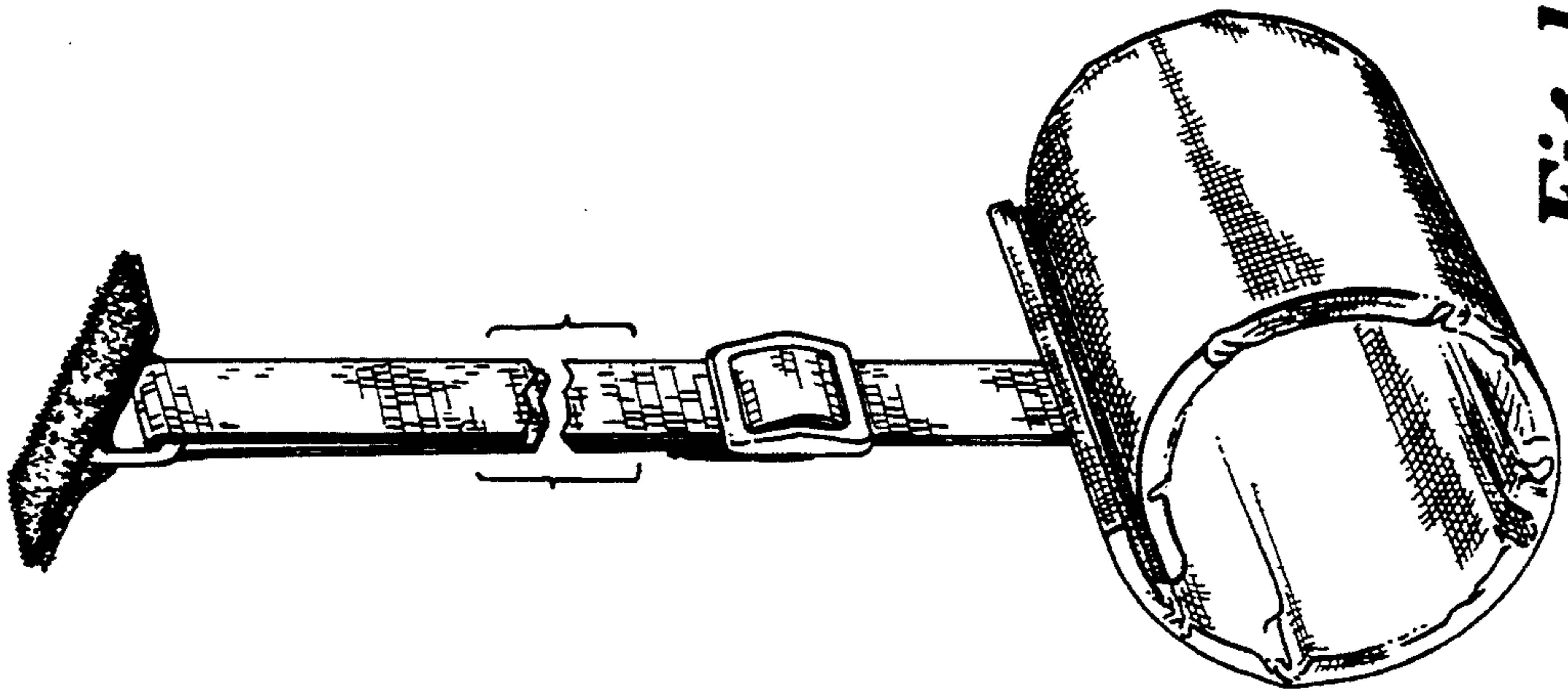


Fig. 1

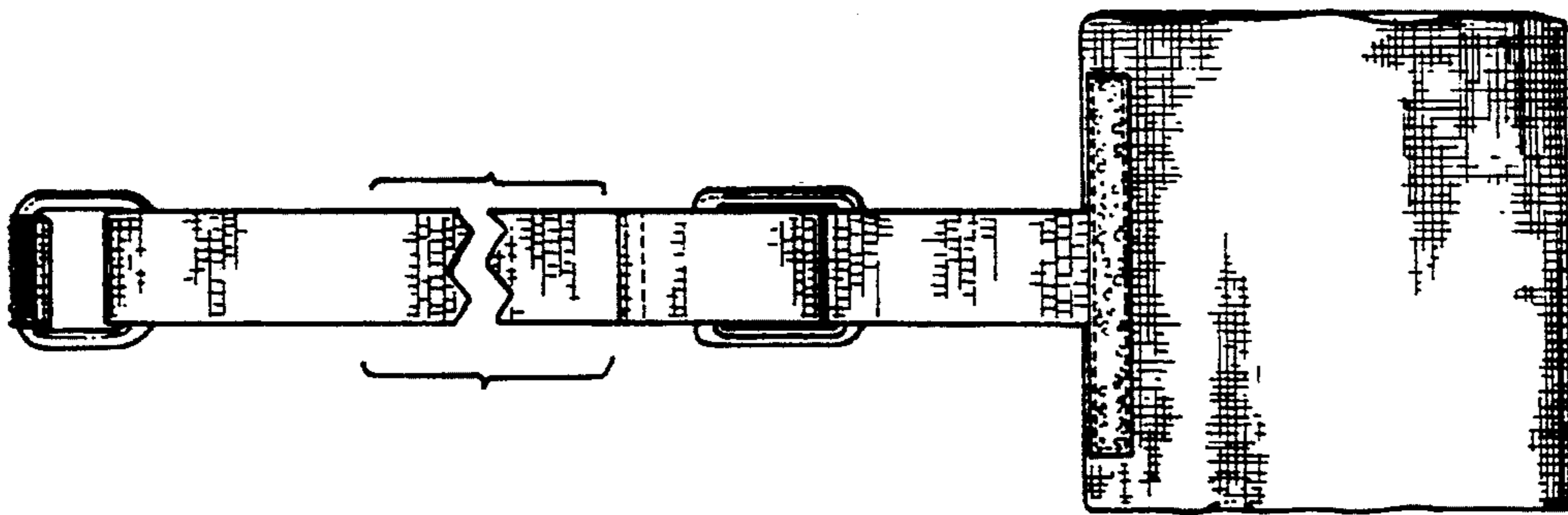


Fig. 4

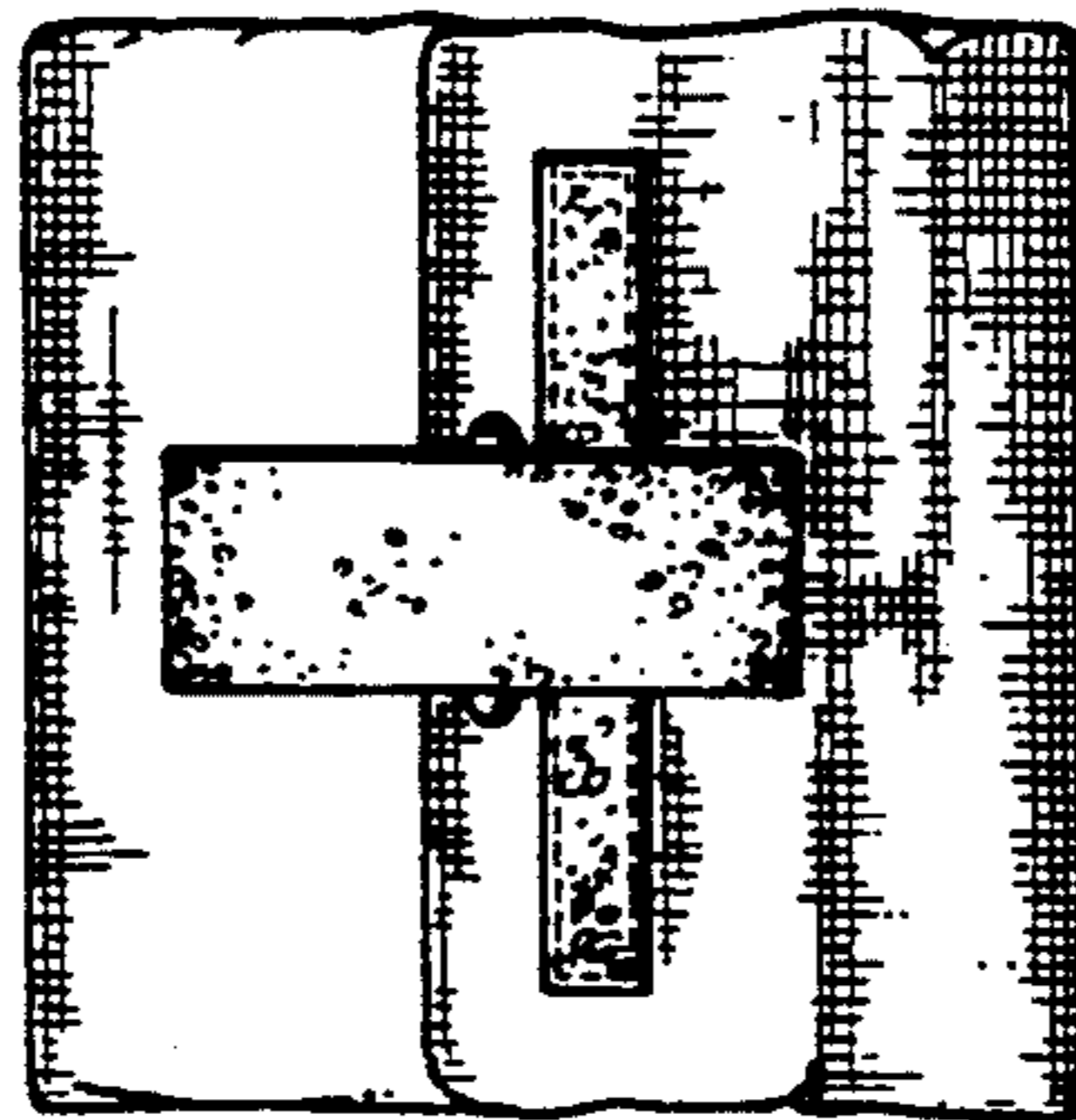


Fig. 5

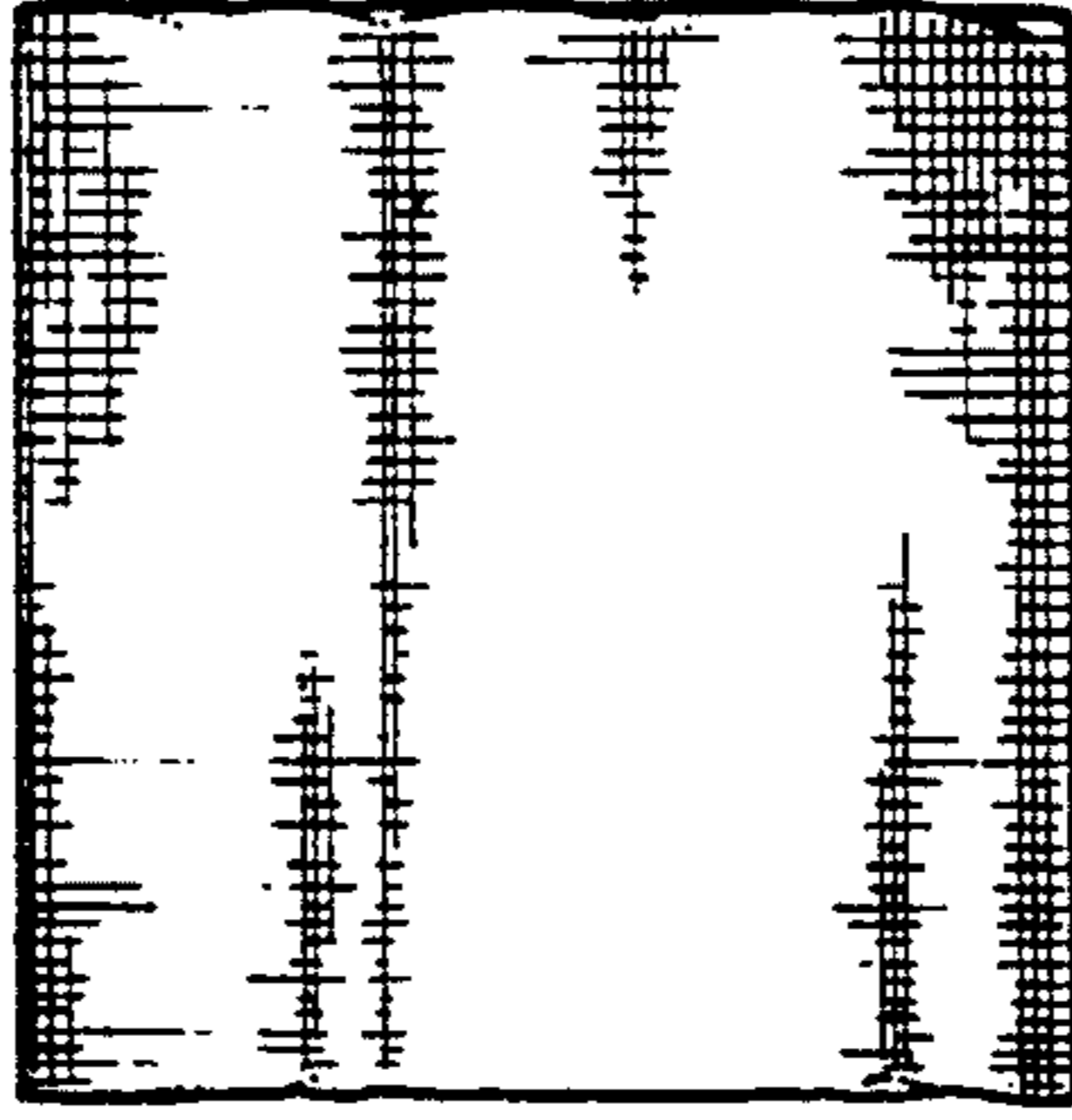


Fig. 6