



US00D356375S

# United States Patent [19]

[11] Patent Number: **Des. 356,375**

McGuffey et al.

[45] Date of Patent: **\*\* Mar. 14, 1995**

- [54] TABLET
- [75] Inventors: **Kevin S. McGuffey**, Stanhope; **Thomas Mathai**, Piscataway, both of N.J.
- [73] Assignee: **Warner-Lambert Company**, Morris Plains, N.J.
- [\*\*] Term: **14 Years**
- [21] Appl. No.: **13,476**
- [22] Filed: **Sep. 24, 1993**
- [52] U.S. Cl. .... **D24/103**
- [58] Field of Search ..... **D24/100-104;**  
424/451, 457, 464, 468, 469-470, 472, 474;  
D28/4, 8.1, 8.2

- D. 275,803 10/1984 Beychok et al. .... D24/103 X
- D. 296,260 6/1988 Hayes ..... D24/101 X
- D. 310,579 9/1990 Ni et al. .... D24/103
- 3,723,614 3/1973 Langauer ..... D24/103 X
- 4,215,164 7/1980 Ullman et al. .... D24/103 X

*Primary Examiner*—Wallace R. Burke  
*Assistant Examiner*—M. H. Tung  
*Attorney, Agent, or Firm*—Charles W. Almer, III

### [57] CLAIM

The ornamental design for a tablet, as shown and described.

### DESCRIPTION

FIG. 1 is a bottom perspective view of a tablet;  
 FIG. 2 is a top perspective view thereof;  
 FIG. 3 is a bottom plan view thereof;  
 FIG. 4 is a side elevational view thereof, the opposite side is identical;  
 FIG. 5 is a front elevational view thereof, the rear elevational view is identical; and,  
 FIG. 6 is a top plan view thereof.

### [56] References Cited

#### U.S. PATENT DOCUMENTS

- D. 91,644 3/1934 Blackstone ..... D24/103 X
- D. 229,049 11/1973 Roberts ..... D24/103
- D. 267,122 11/1982 Scotton et al. .... D24/101

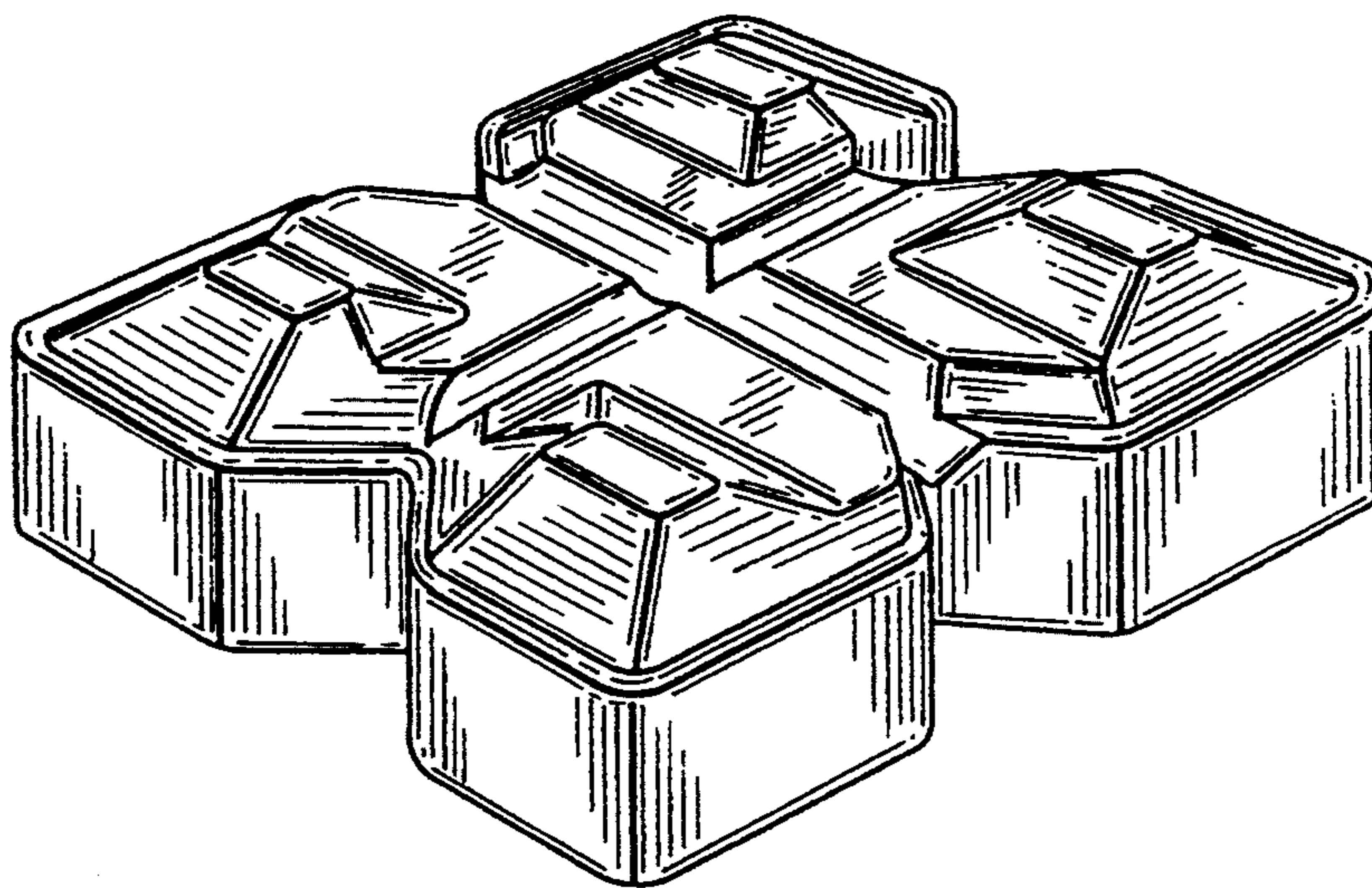


FIG-1

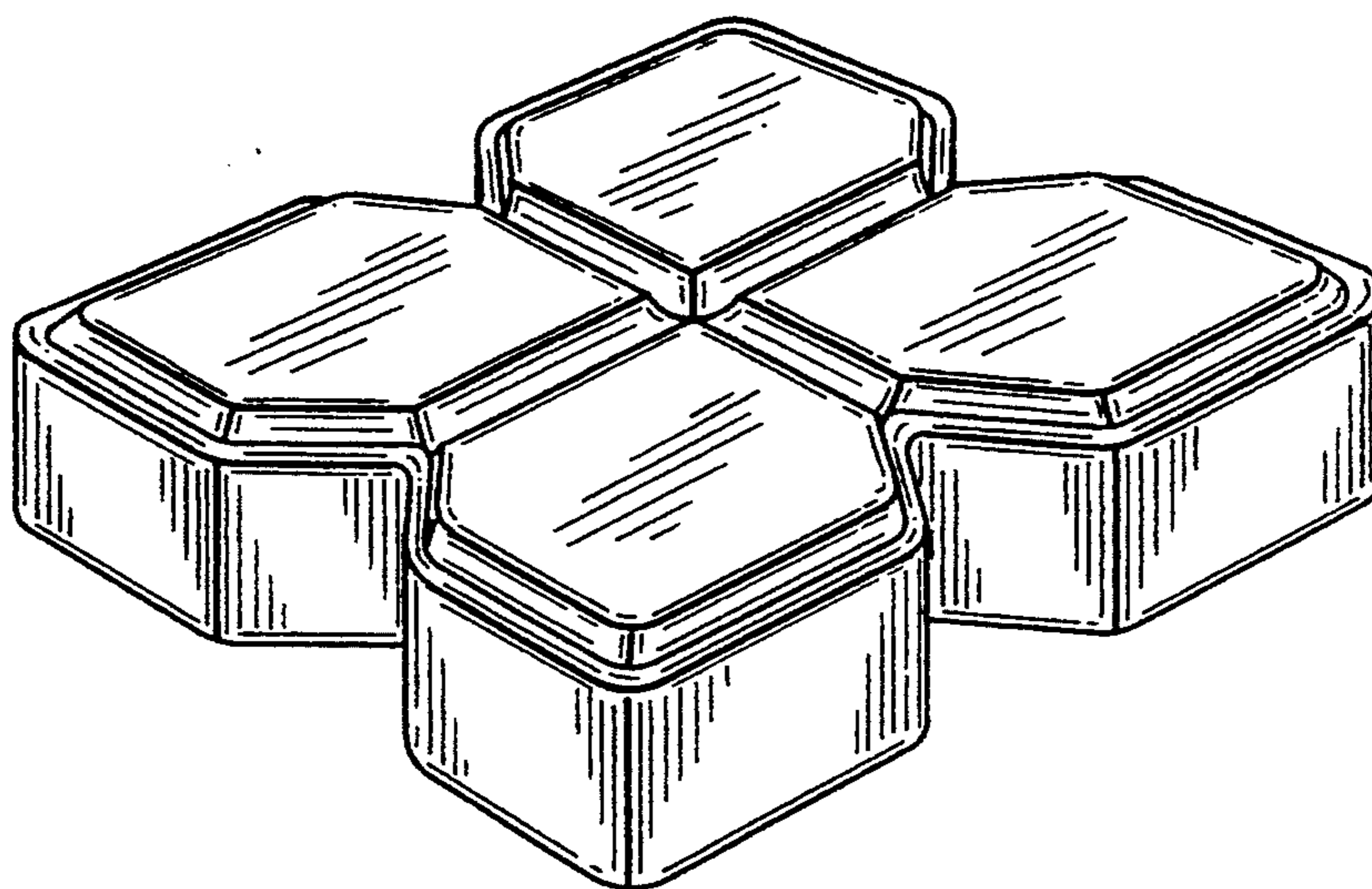


FIG-2

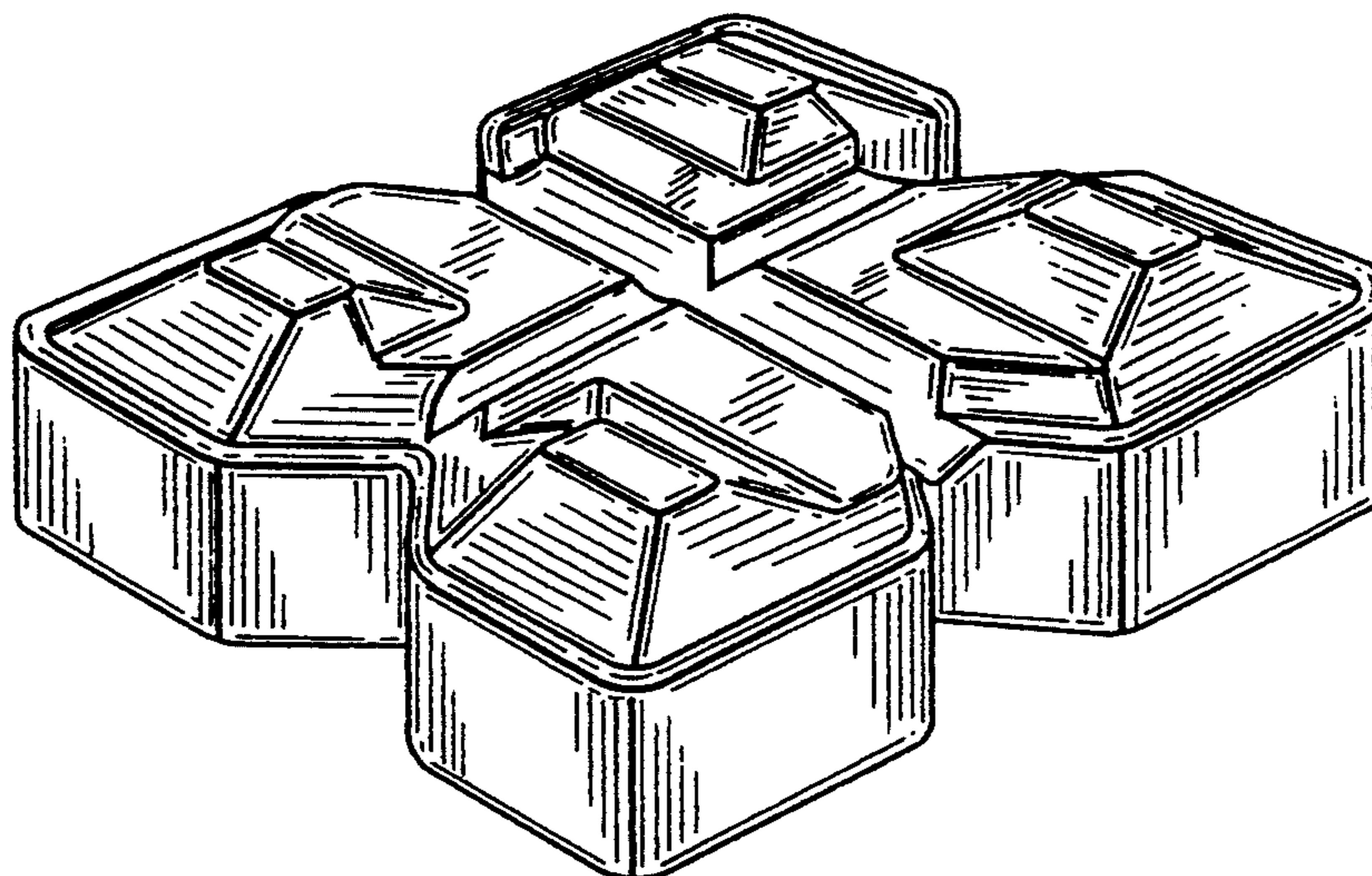


FIG-3

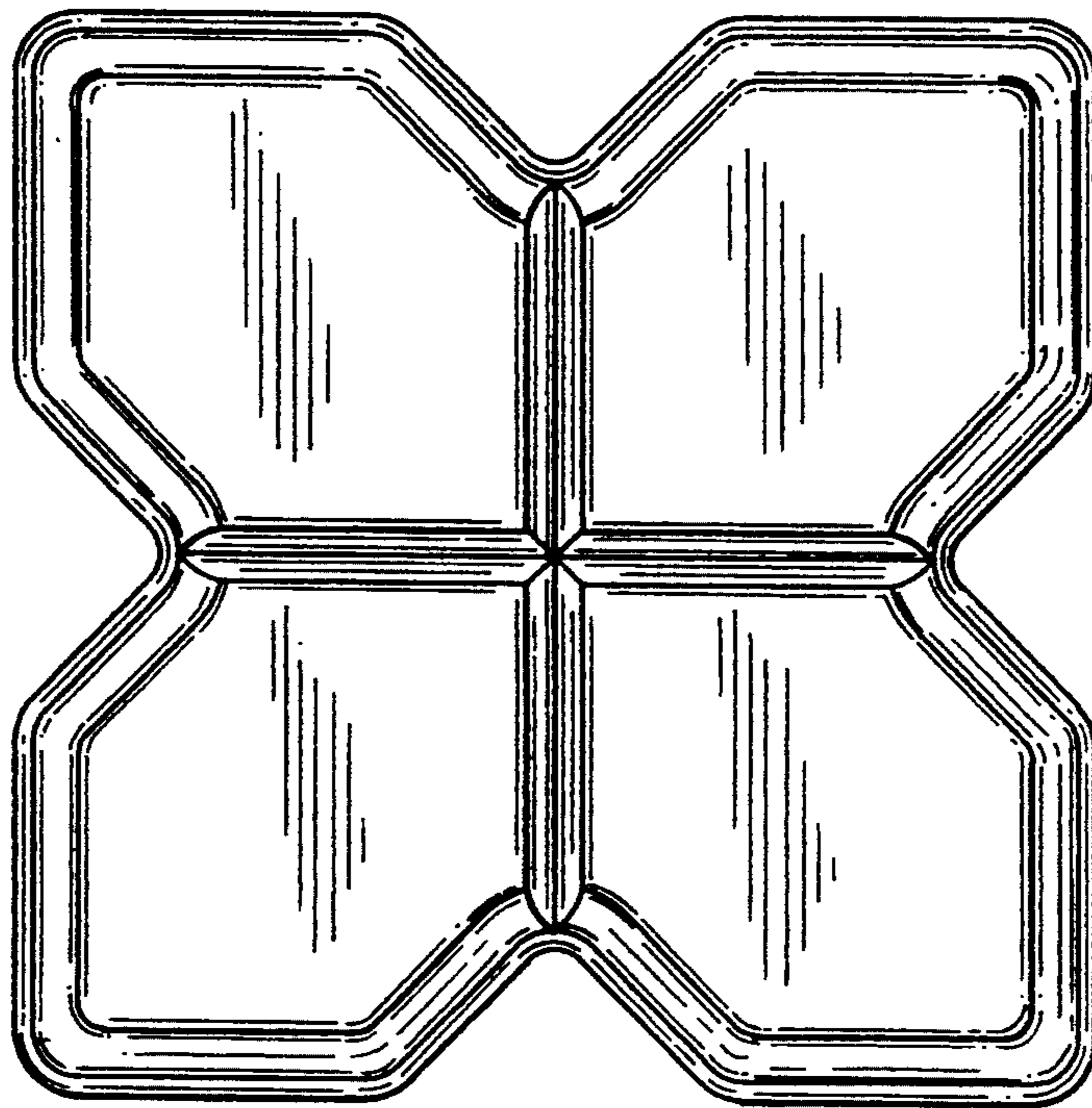


FIG-4

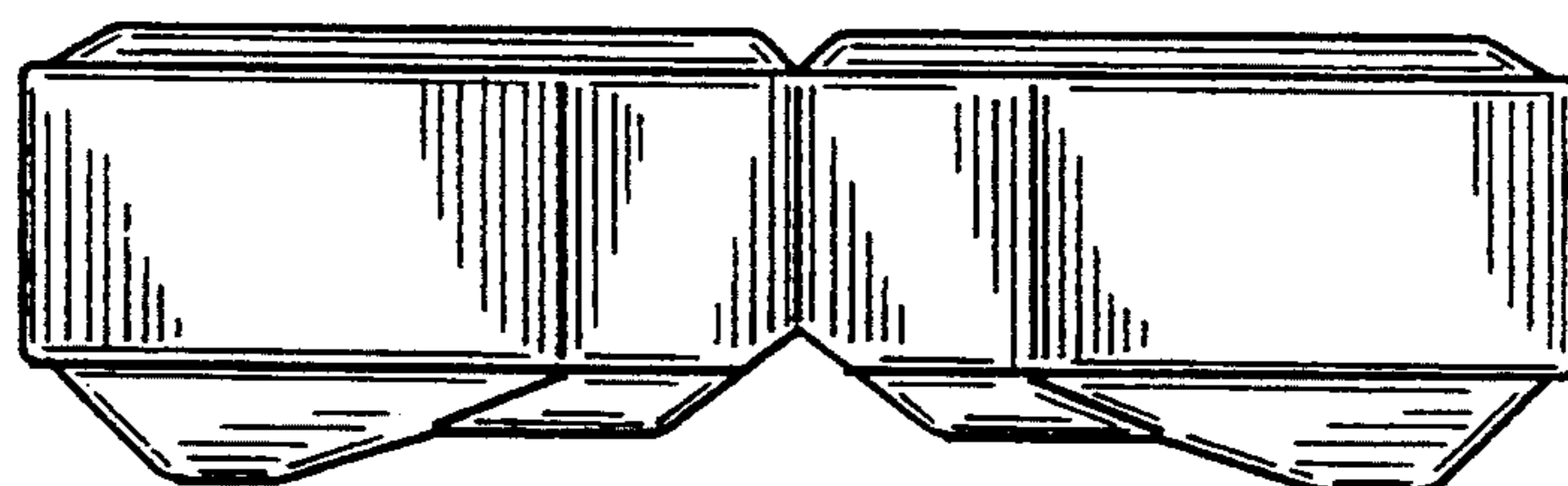


FIG-5

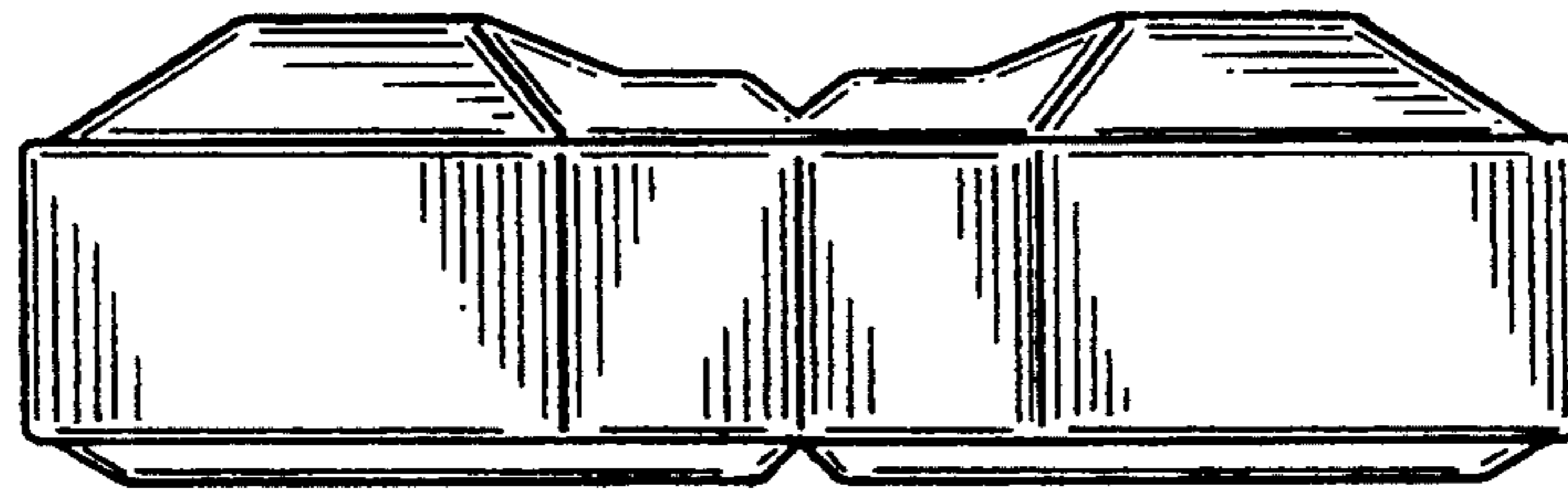


FIG-6

