



US00D356365S

United States Patent [19]

[11] Patent Number: **Des. 356,365**

Liao

[45] Date of Patent: **** Mar. 14, 1995**

[54] **PORTABLE TOILET**

D. 342,778 12/1993 Chen D23/301

[76] Inventor: **Hsueh-Meng Liao**, 6F., No. 248-2,
Lien Cheng Rd., Chung Ho, Taipei
Hsien, Taiwan, Prov. of China

Primary Examiner—A. Hugo Word
Assistant Examiner—Eric Watterson
Attorney, Agent, or Firm—Jacobson, Price, Holman &
Stern

[**] Term: **14 Years**

[57] **CLAIM**

[21] Appl. No.: **23,233**

The ornamental design for a portable toilet, as shown
and described.

[22] Filed: **May 20, 1994**

[52] U.S. Cl. **D23/299**

[58] Field of Search **D23/295-301,**
D23/309-313, 329-332, 420

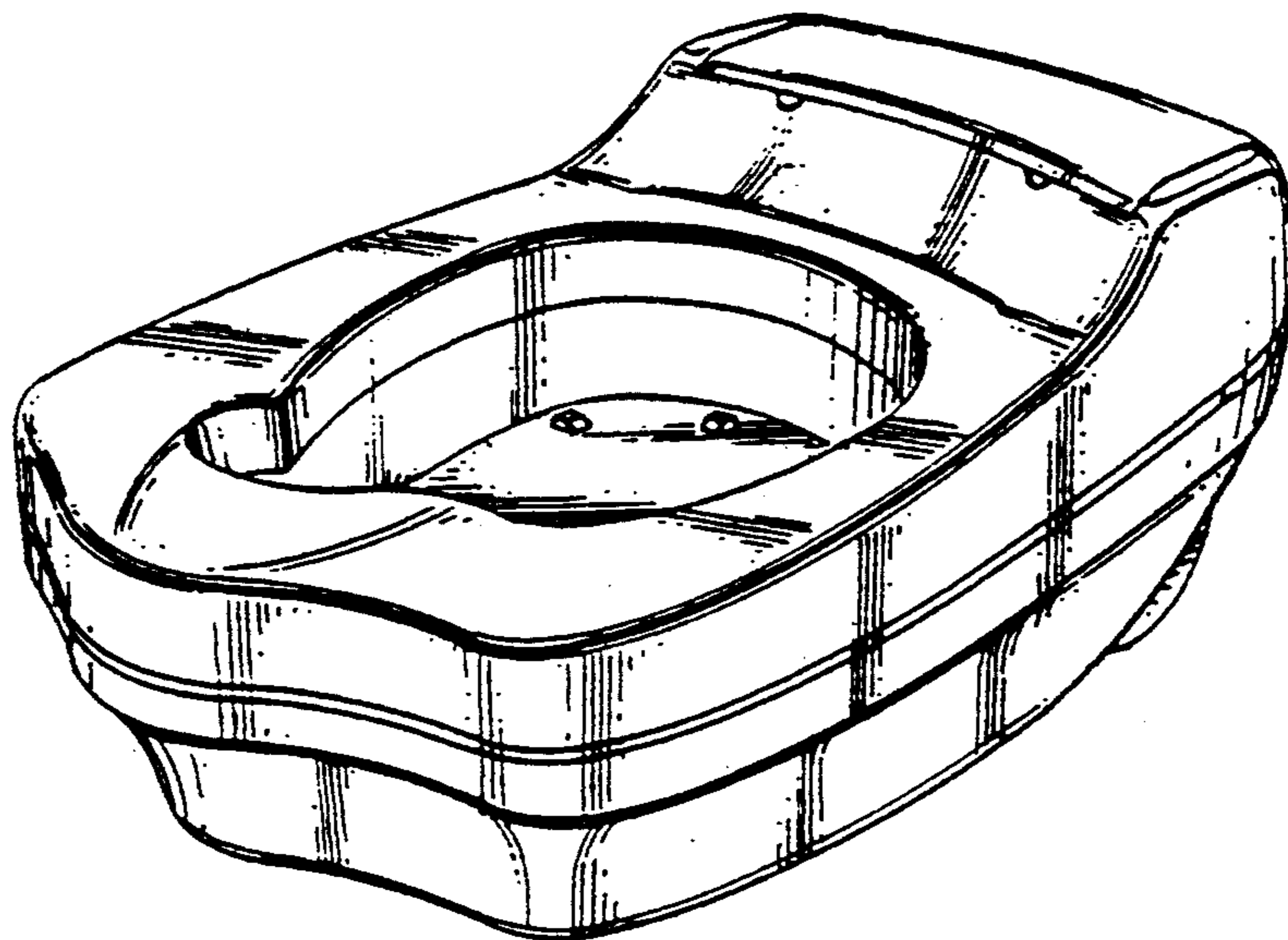
DESCRIPTION

FIG. 1 is a perspective view of portable toilet showing
my new design;
FIG. 2 is a front elevational view thereof;
FIG. 3 is a rear elevational view thereof;
FIG. 4 is a left side elevational view thereof;
FIG. 5 is a right side elevational view thereof;
FIG. 6 is a top plan view thereof; and,
FIG. 7 is a bottom plan view thereof.

[56] **References Cited**

U.S. PATENT DOCUMENTS

- D. 255,597 6/1980 Sargent et al. D23/299
- D. 272,381 1/1984 Bocchini et al. D23/299 X
- D. 275,599 9/1984 Eisthoven D23/295 X



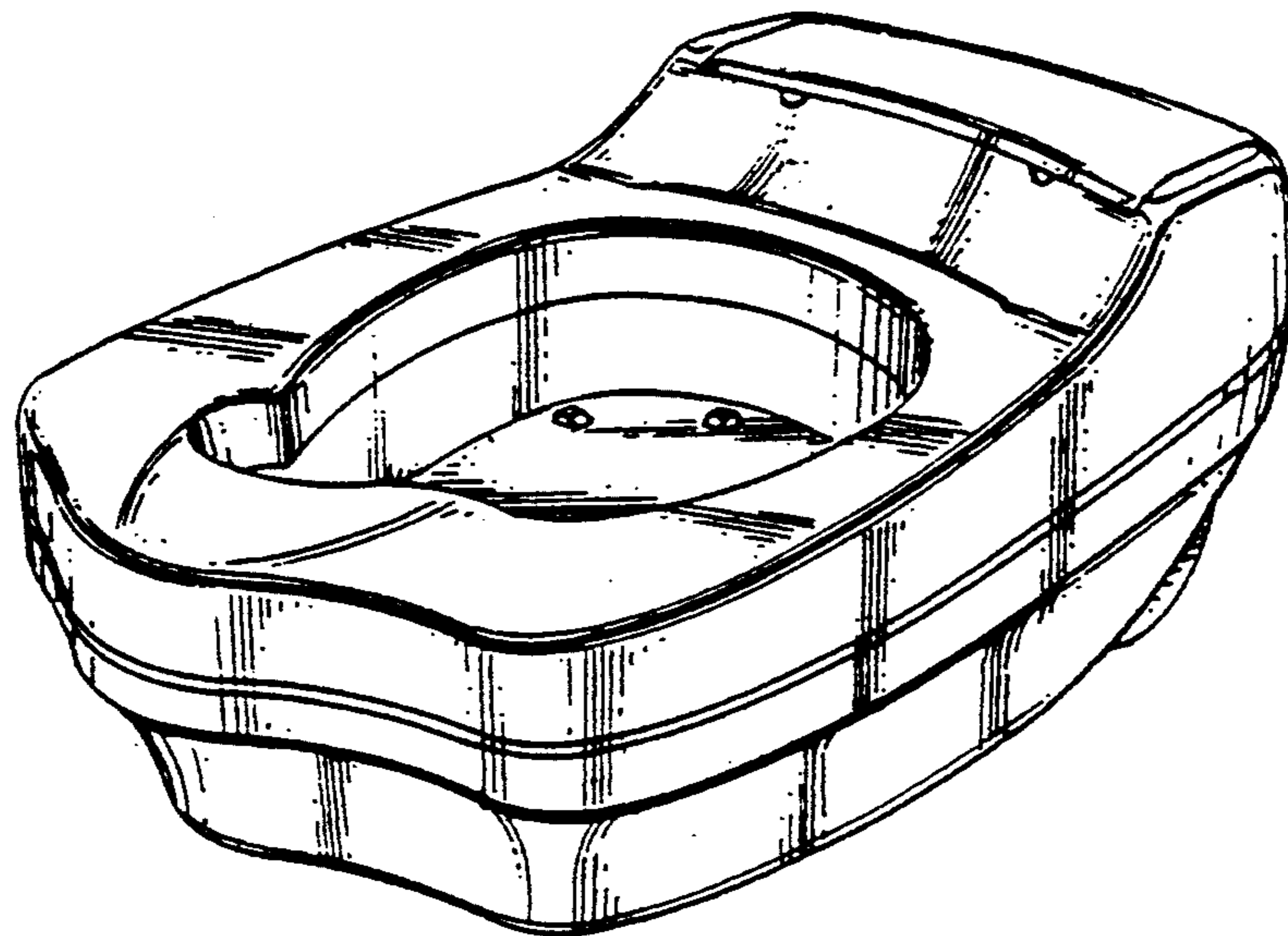


FIG 1

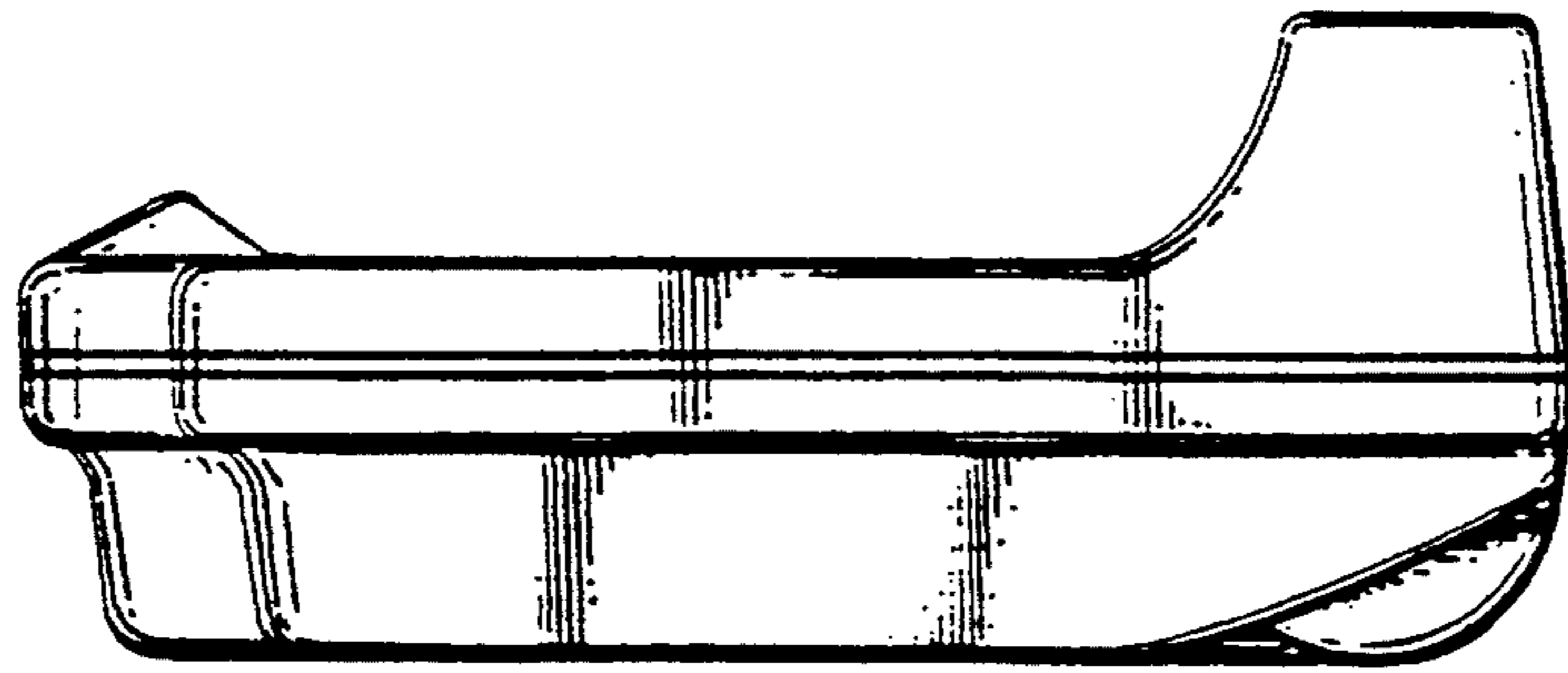


FIG 2

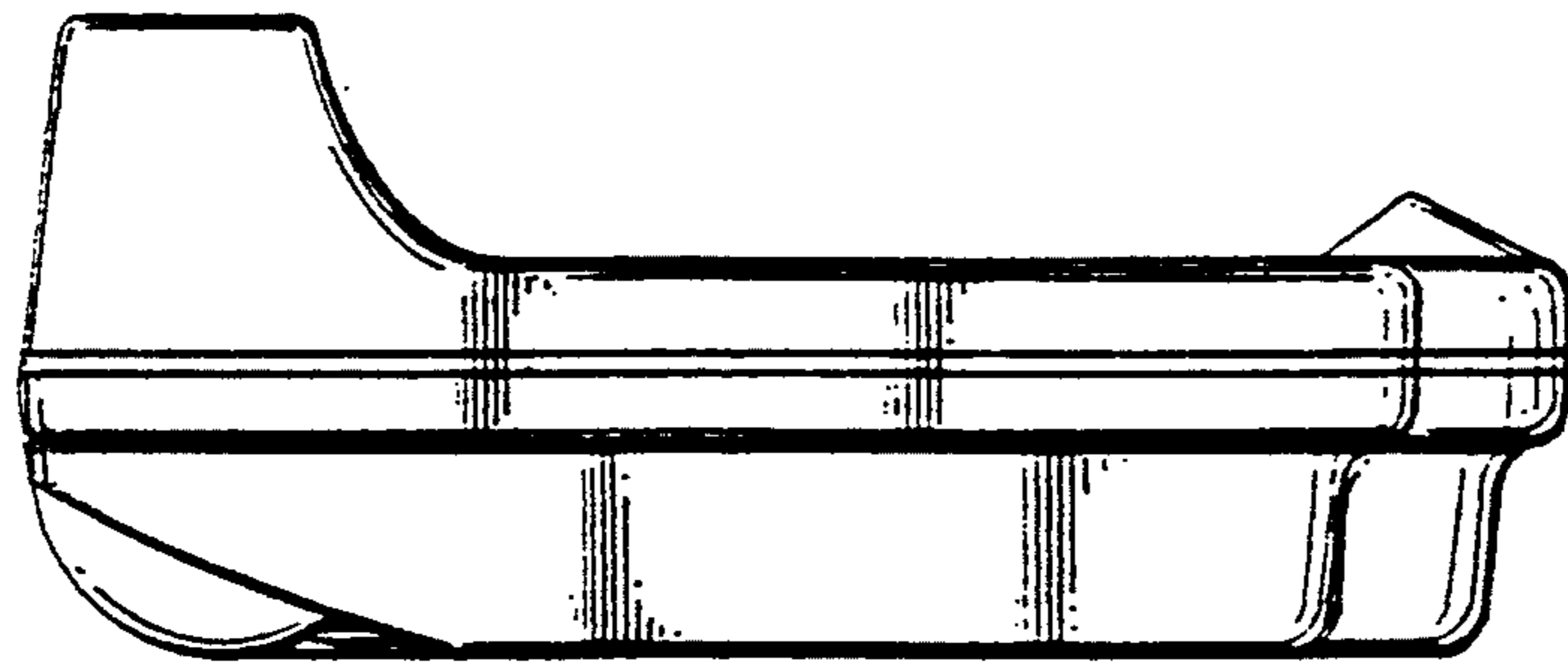


FIG 3

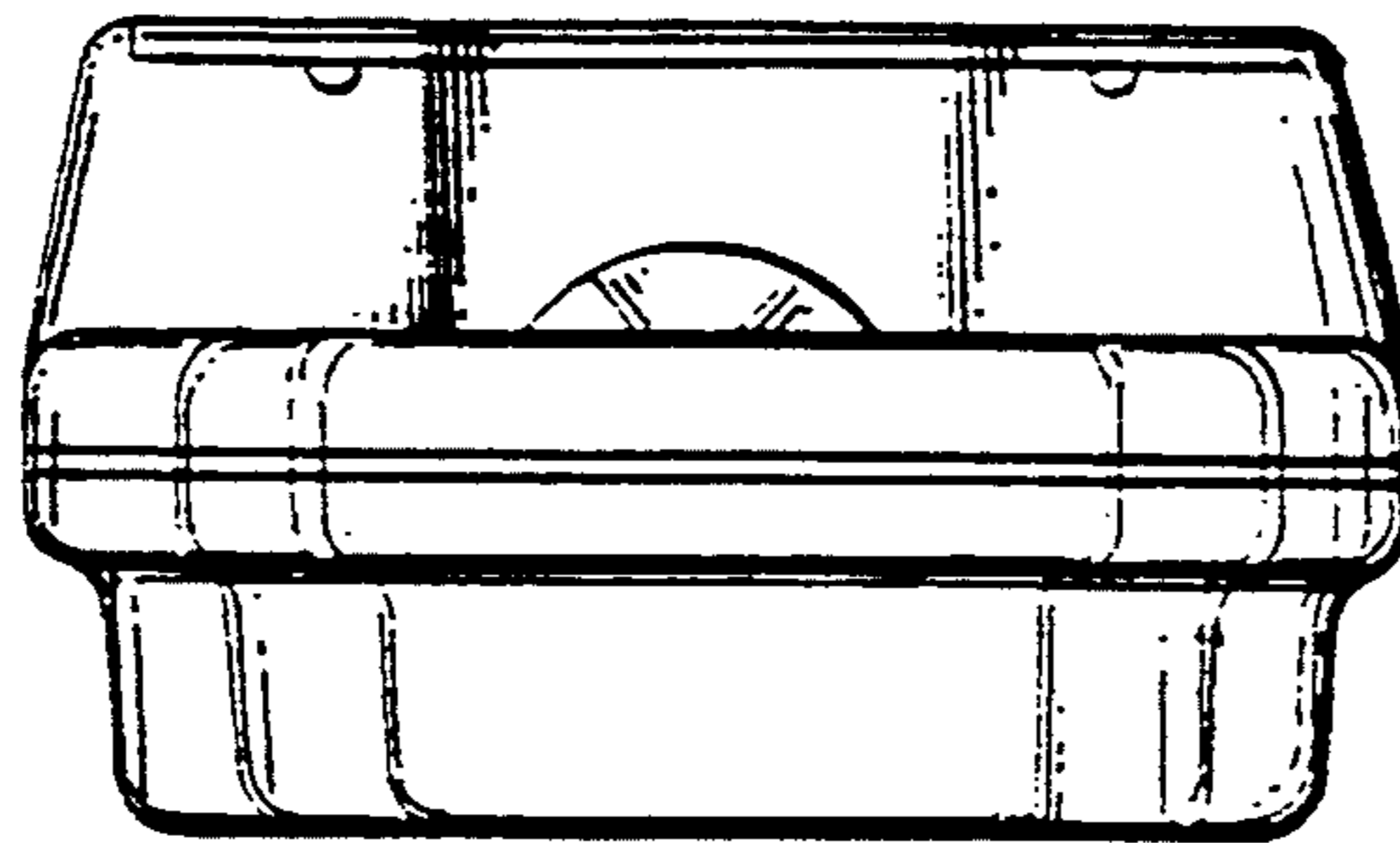


FIG 4

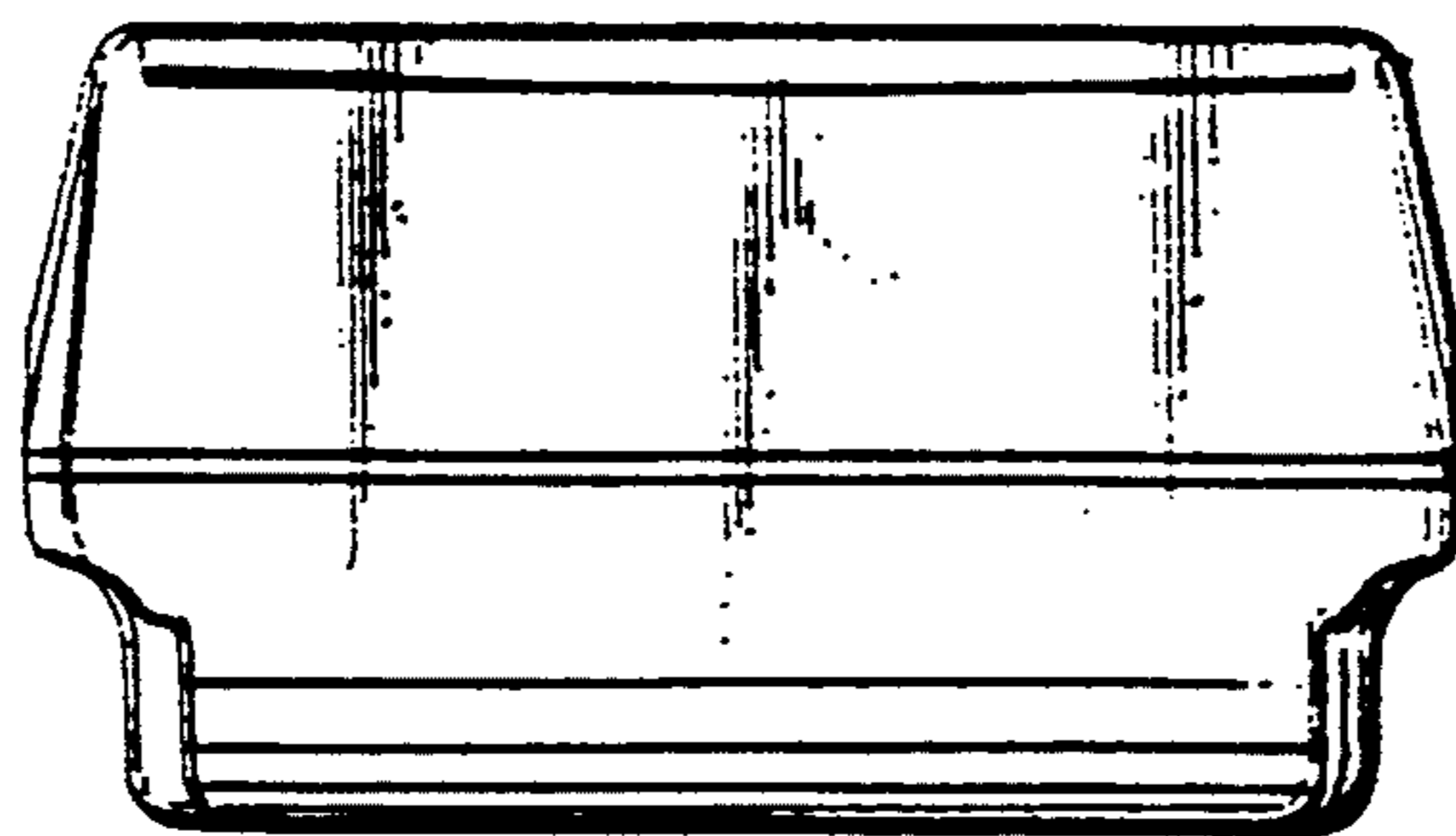


FIG 5

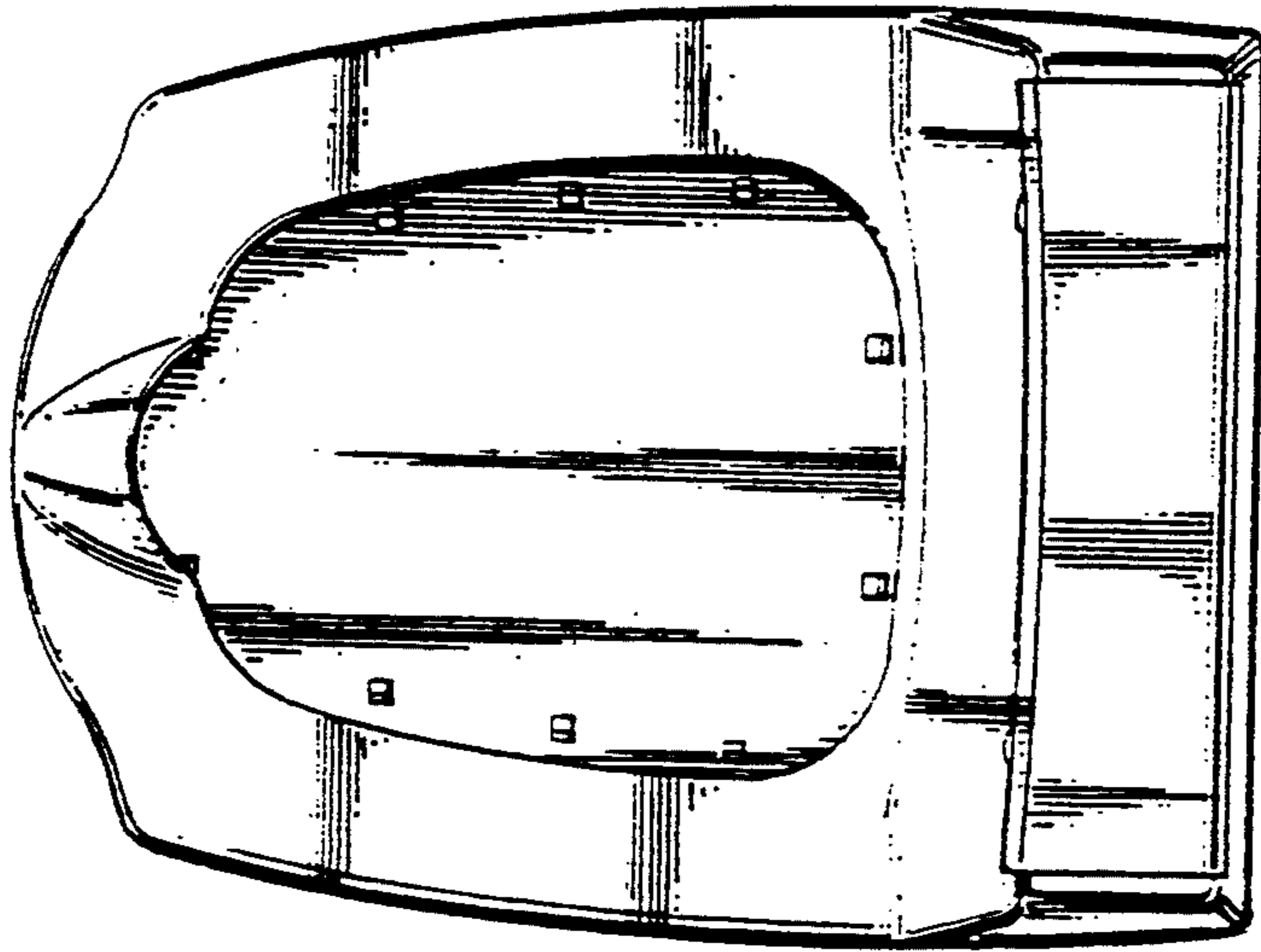


FIG 6

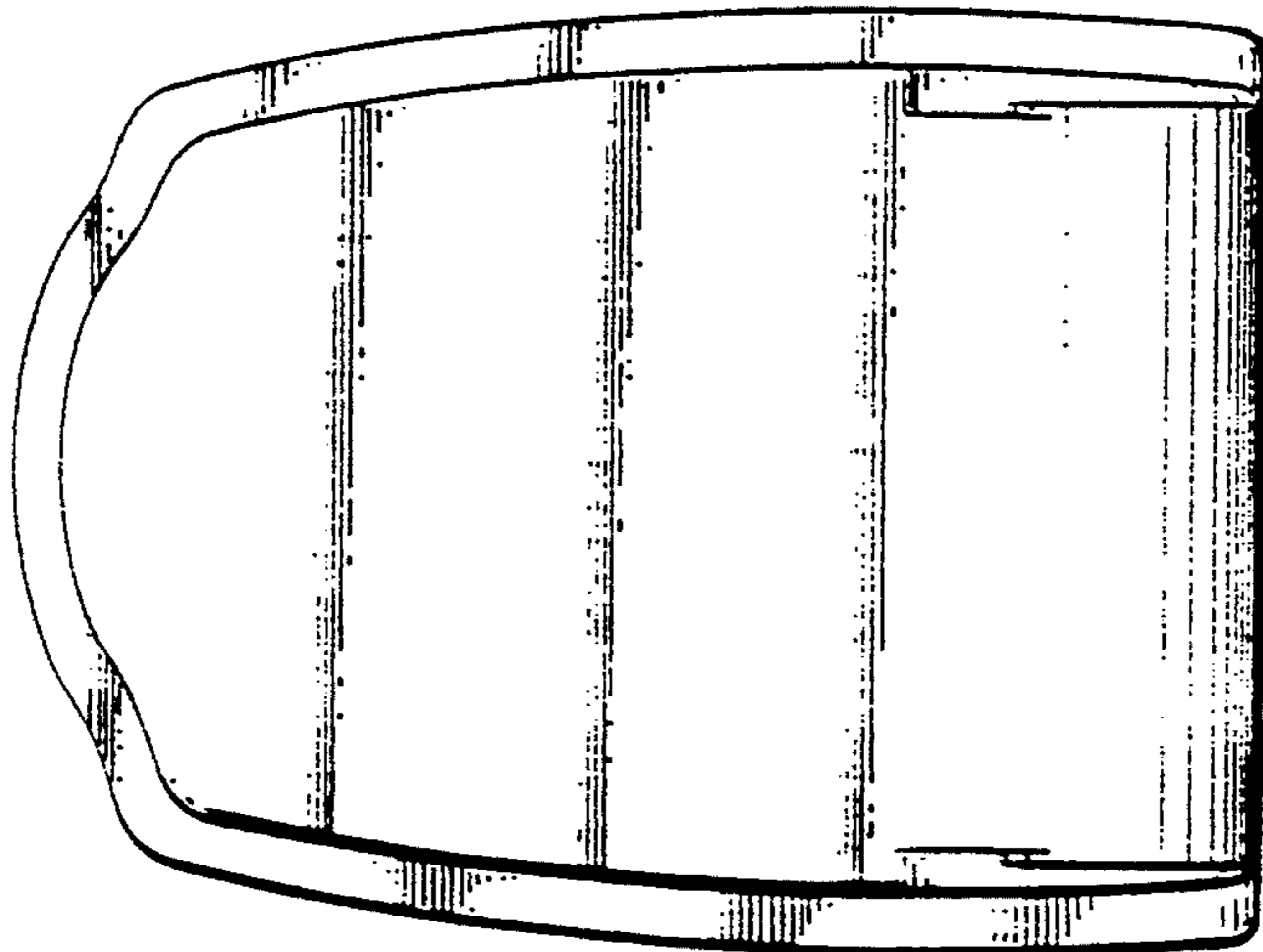


FIG 7