



US00D356362S

United States Patent [19]

Bourgeois et al.

[11] Patent Number: **Des. 356,362**

[45] Date of Patent: **** Mar. 14, 1995**

[54] **PLUMBING ESCUTCHEON**

4,407,023 10/1983 Norton 137/359

[76] Inventors: **Maurice L. Bourgeois; Lynn M. Bourgeois**, both of R.R. 1, Box 1480, Charlotte, Vt. 05445

FOREIGN PATENT DOCUMENTS

0266387 10/1989 Japan 285/46

[**] Term: **14 Years**

Primary Examiner—Terry A. Wallace
Assistant Examiner—Nanda Bondade
Attorney, Agent, or Firm—Hugh Smith

[21] Appl. No.: **5,263**

[57] CLAIM

[22] Filed: **Mar. 1, 1993**

The ornamental design for a plumbing escutcheon, as shown and described.

[52] U.S. Cl. **D23/249; D23/254**

[58] Field of Search **D8/310, 350, 352; D23/243, 249, 254, 259; 4/541.6, 695; 137/359, 377; 285/46; 126/317**

DESCRIPTION

[56] References Cited

U.S. PATENT DOCUMENTS

D. 226,297 2/1973 Shames D8/352
905,144 12/1908 Broadbent 126/317
4,366,866 1/1983 Sweeney 285/46

FIG. 1 is an exploded front elevational view of the plumbing escutcheon showing my new design; FIG. 2 is an exploded rear elevational view thereof; FIG. 3 is a left side elevational view thereof; FIG. 4 is a right side elevational view thereof; FIG. 5 is an exploded top plan view thereof; and, FIG. 6 is an exploded bottom plan view thereof.

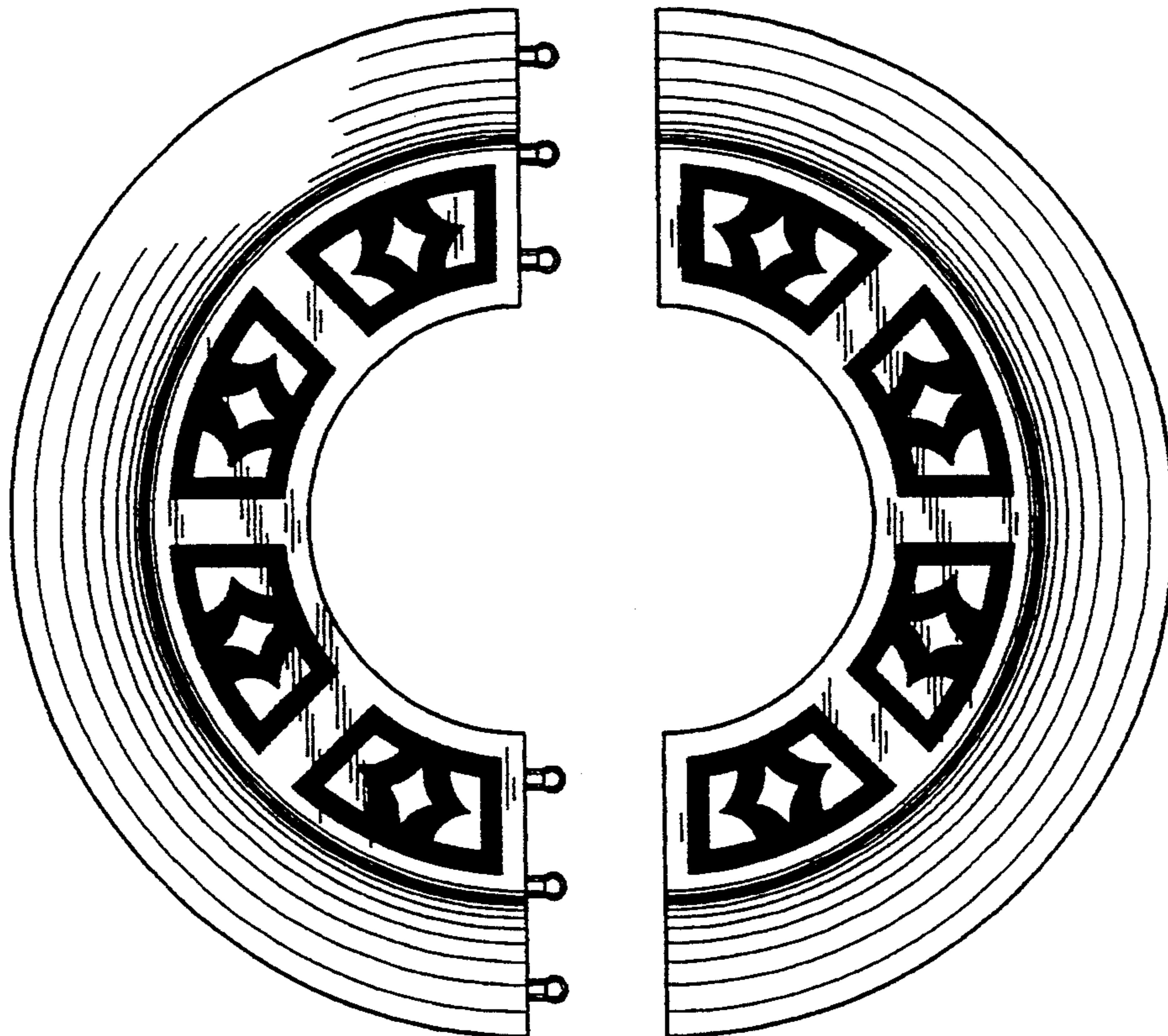


FIG. 1

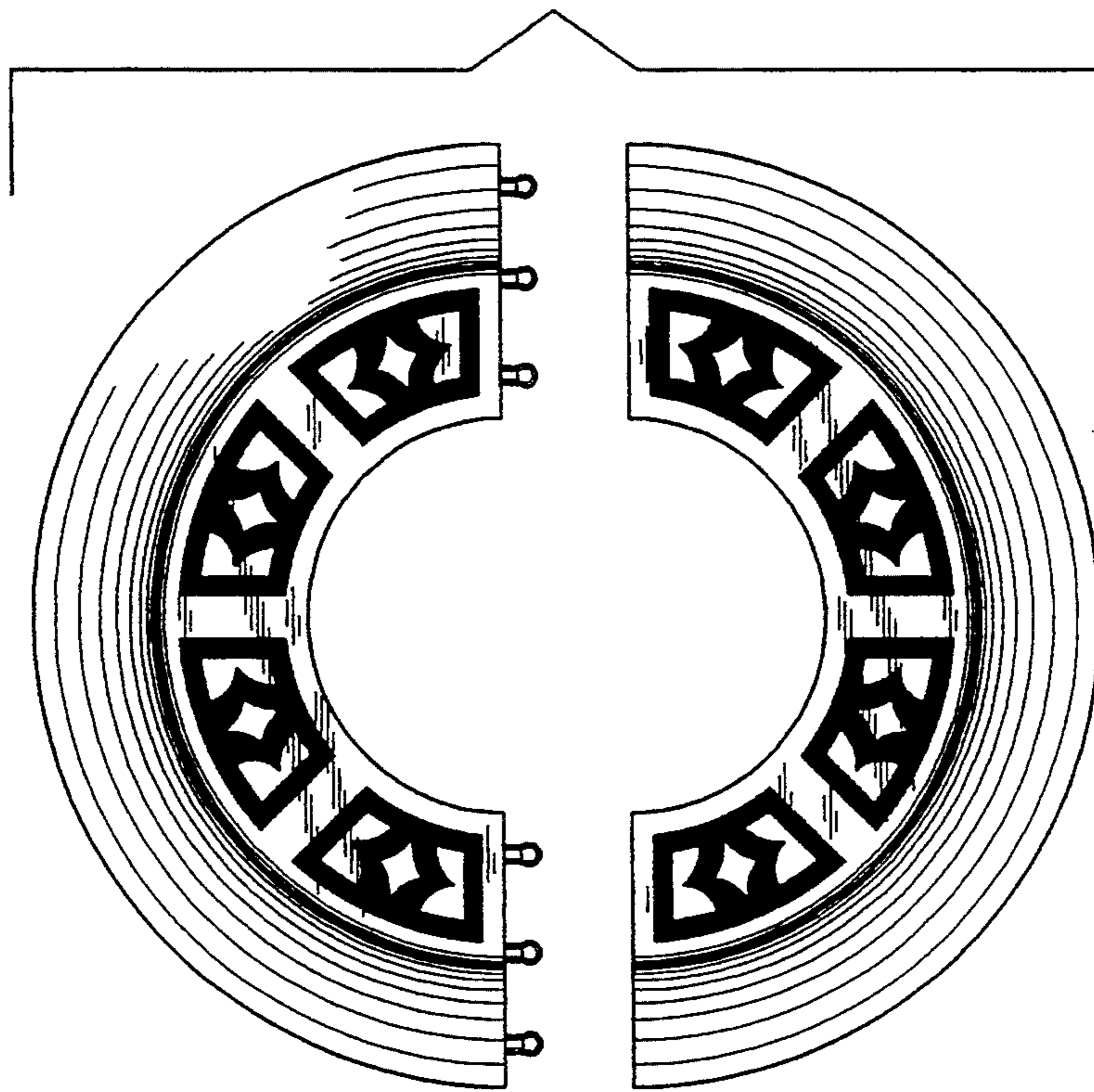


FIG. 2

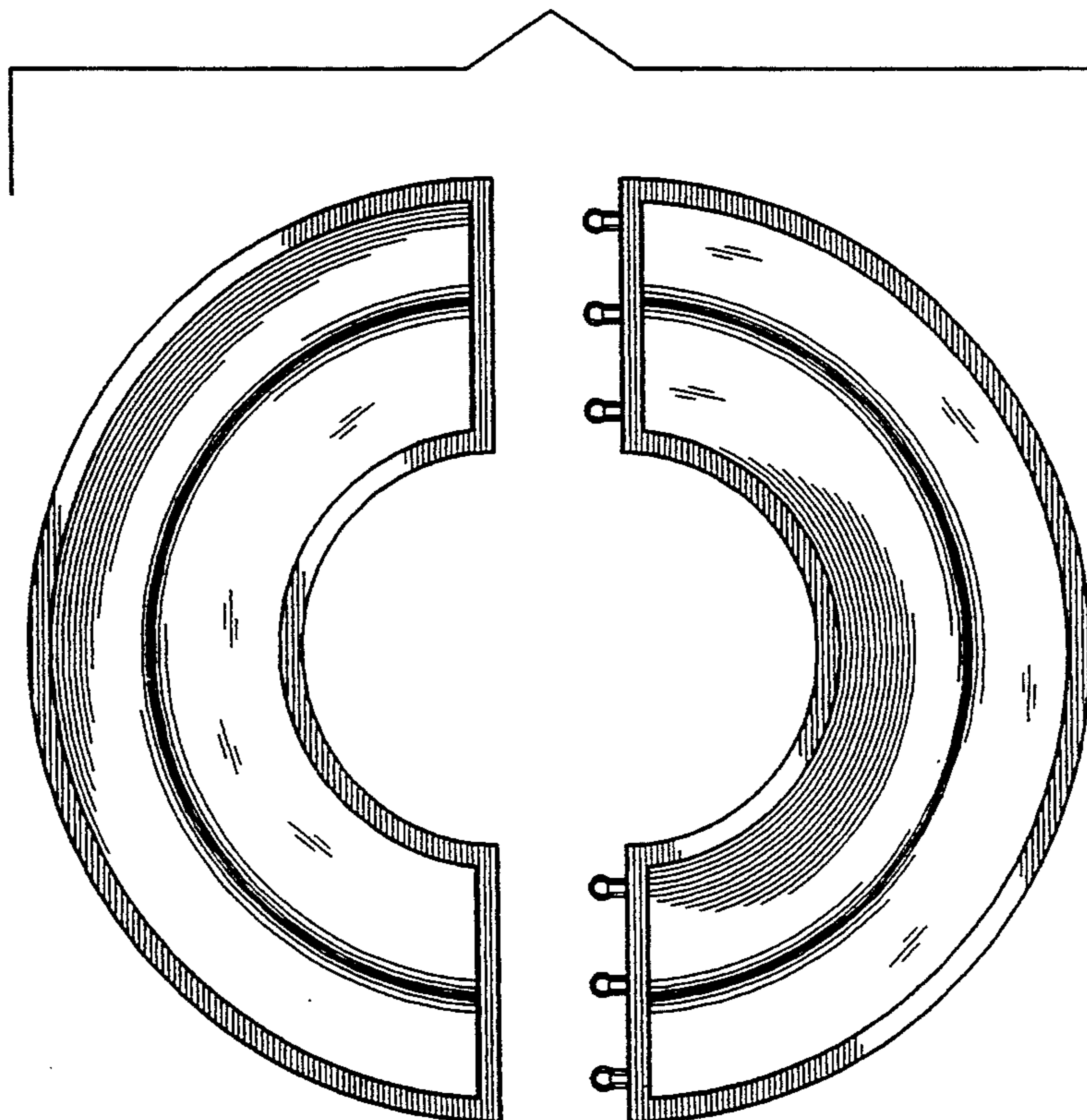


FIG. 3

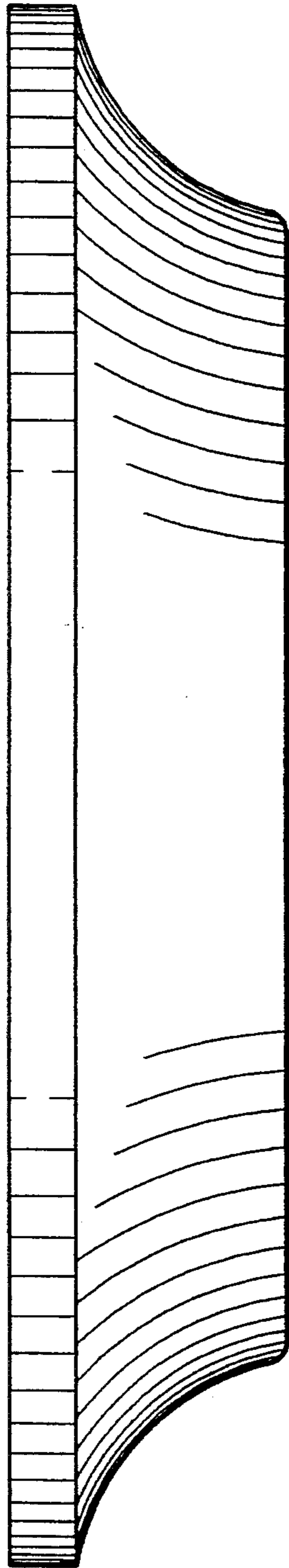


FIG. 4

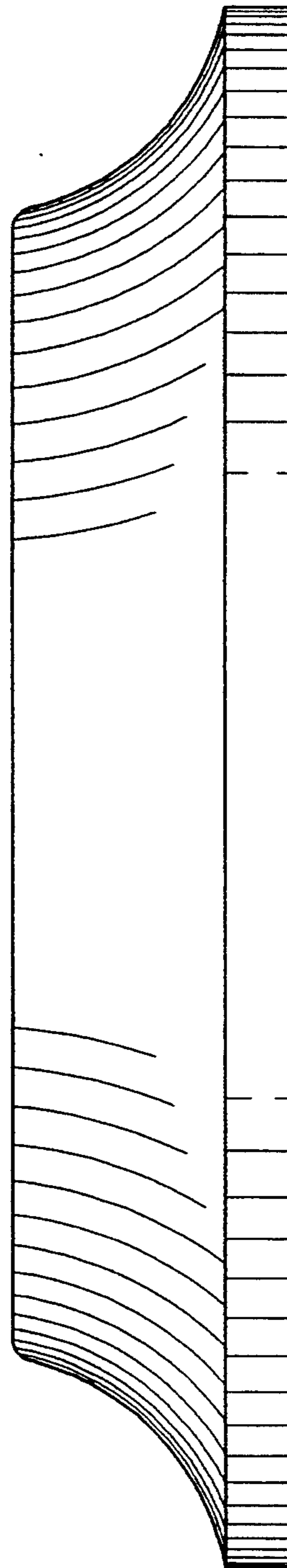


FIG. 5

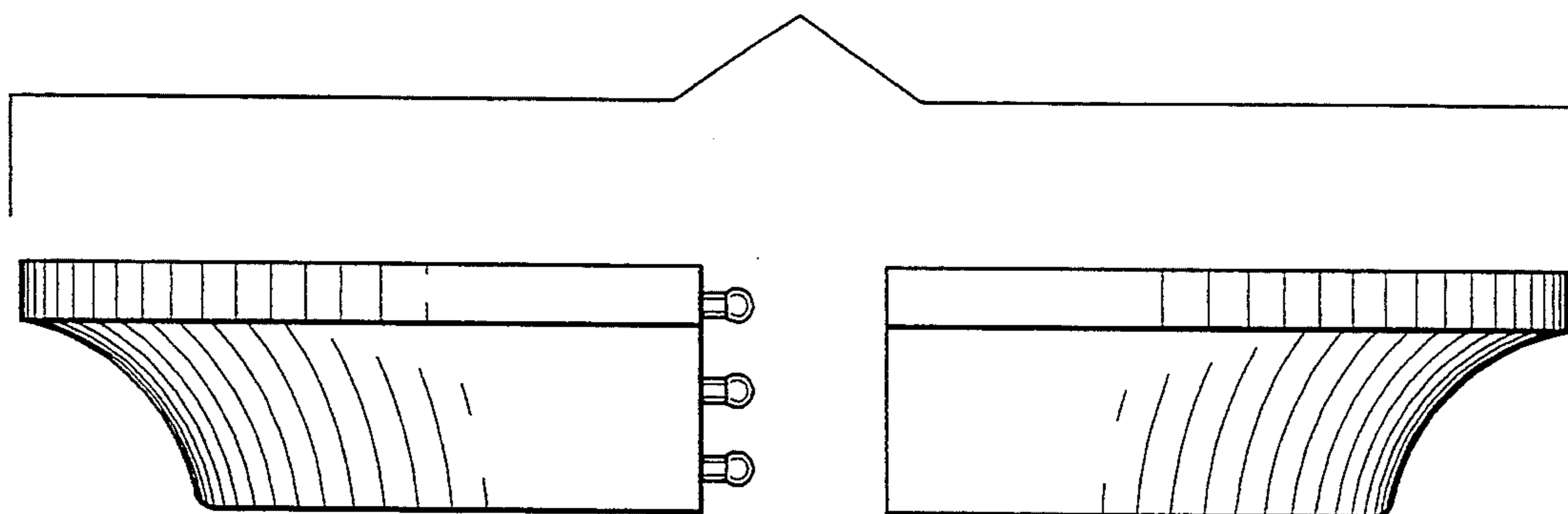


FIG. 6

