



US00D356360S

United States Patent [19]

[11] Patent Number: **Des. 356,360**

Drury, Jr.

[45] Date of Patent: **** Mar. 14, 1995**

[54] FISHING LURE

4,041,636 8/1977 Folker 43/42.06 X

[76] Inventor: **William E. Drury, Jr.**, 10 B St.,
Merrimac, Mass. 01860

FOREIGN PATENT DOCUMENTS

602938 8/1960 Canada D22/3 129 X

[**] Term: **14 Years**

Primary Examiner—A. Hugo Word
Assistant Examiner—Doris V. Coles
Attorney, Agent, or Firm—Edward A. Gordon

[21] Appl. No.: **5,559**

[57] CLAIM

[22] Filed: **Mar. 5, 1993**

[52] U.S. Cl. **D22/129**

[58] Field of Search D22/129, 126, 130;
43/42.5, 42.35, 42.06, 42.28, 42.36, 42.04, 43.13,
42.18

The ornamental design for a fishing lure, as shown and described.

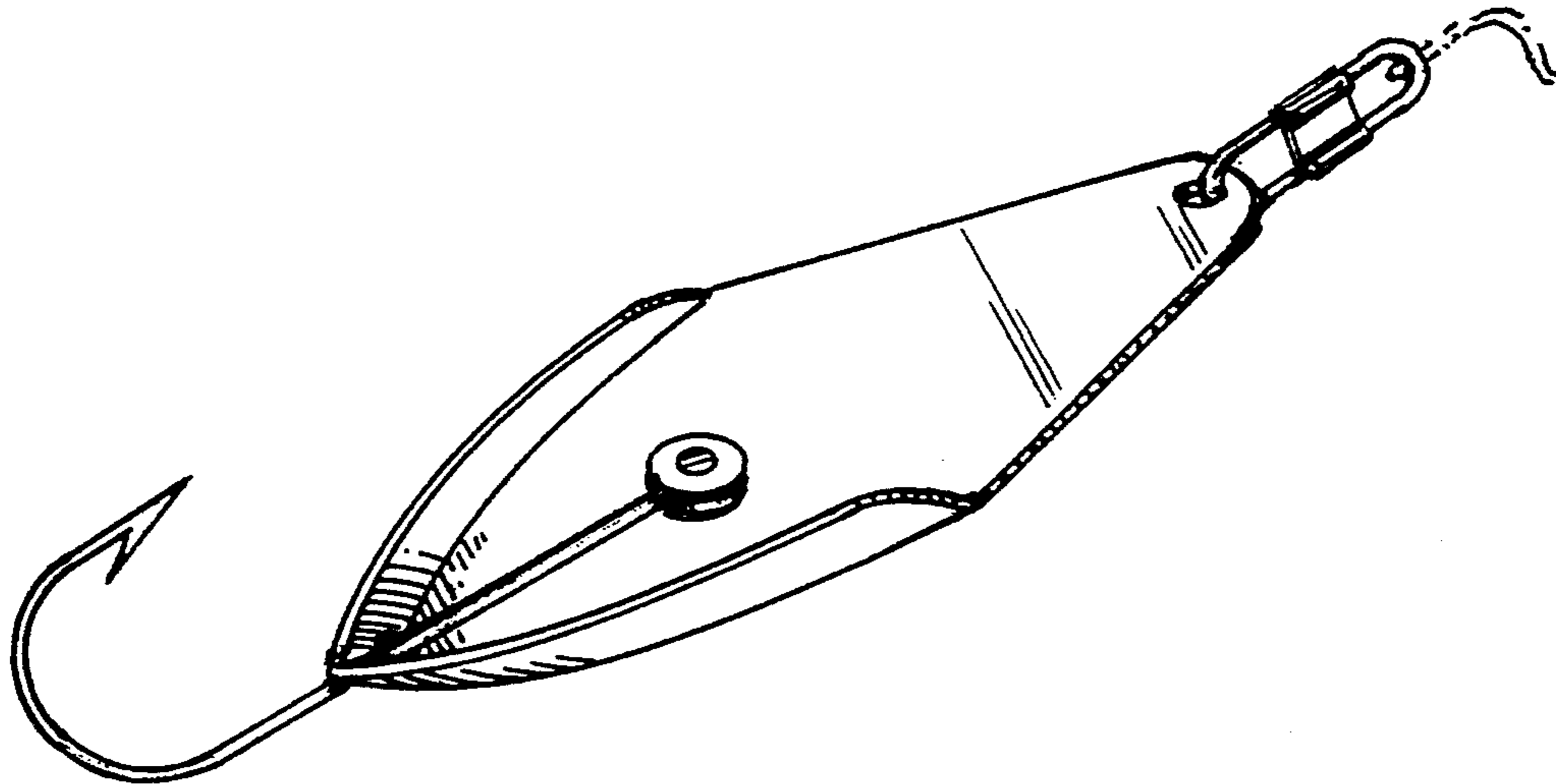
DESCRIPTION

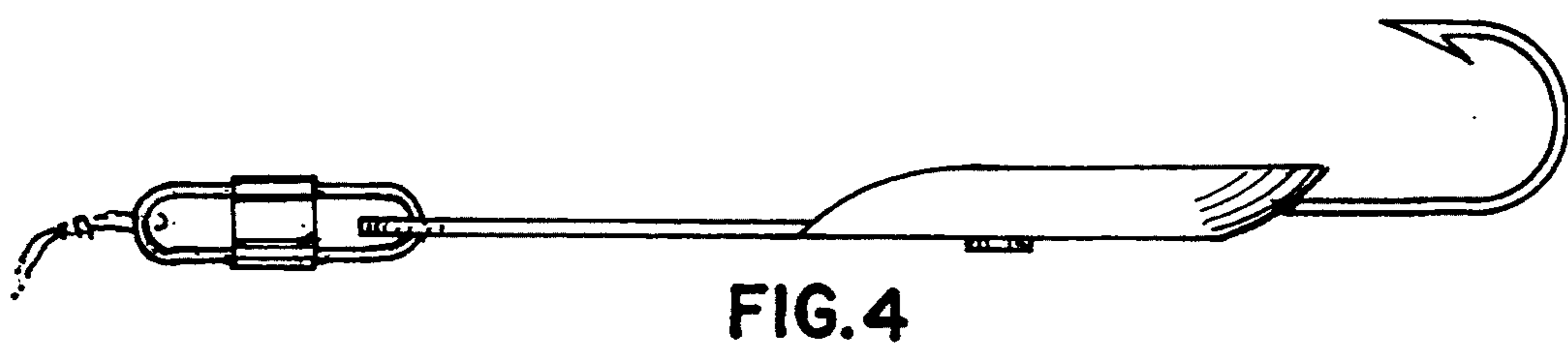
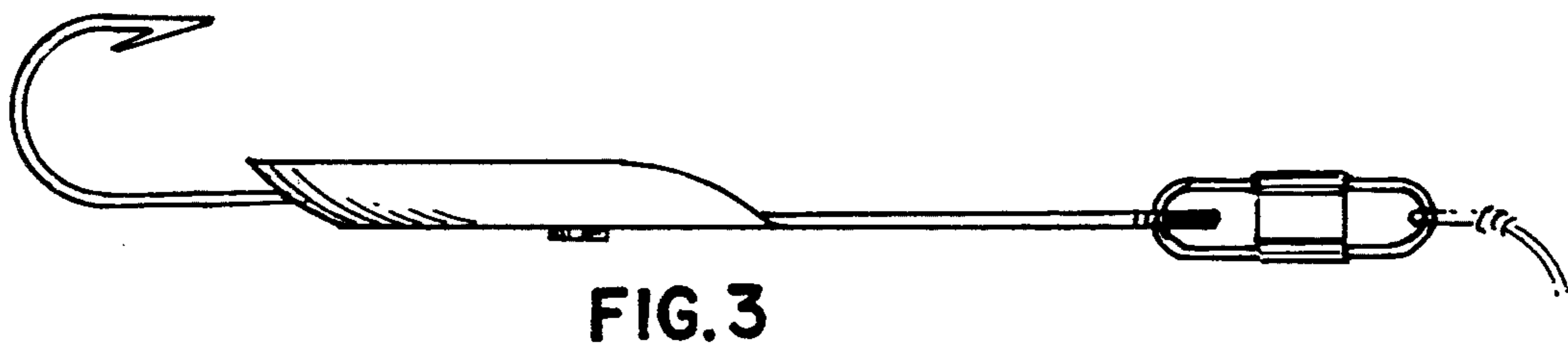
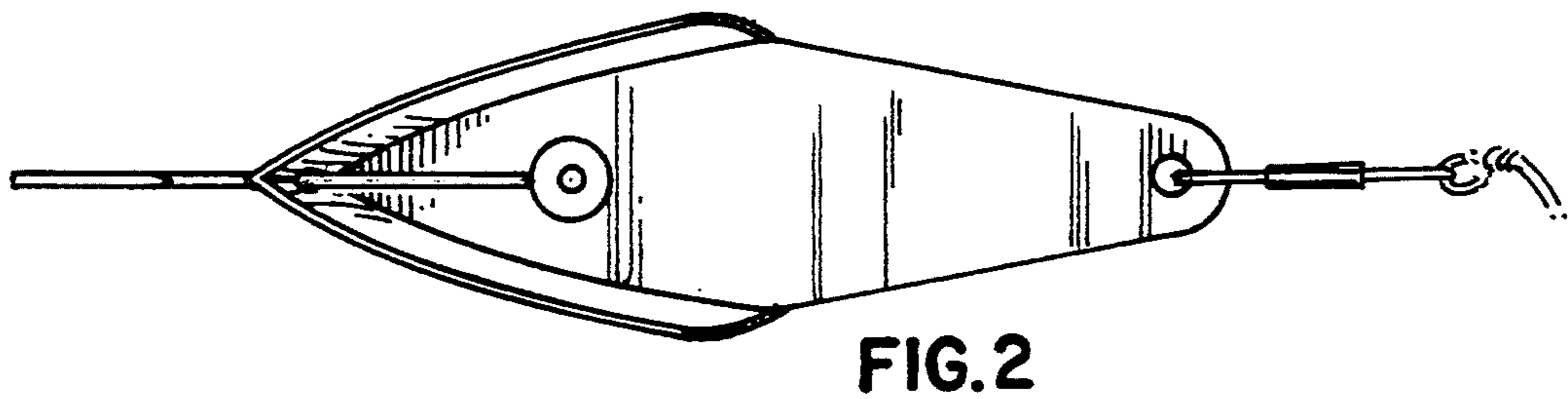
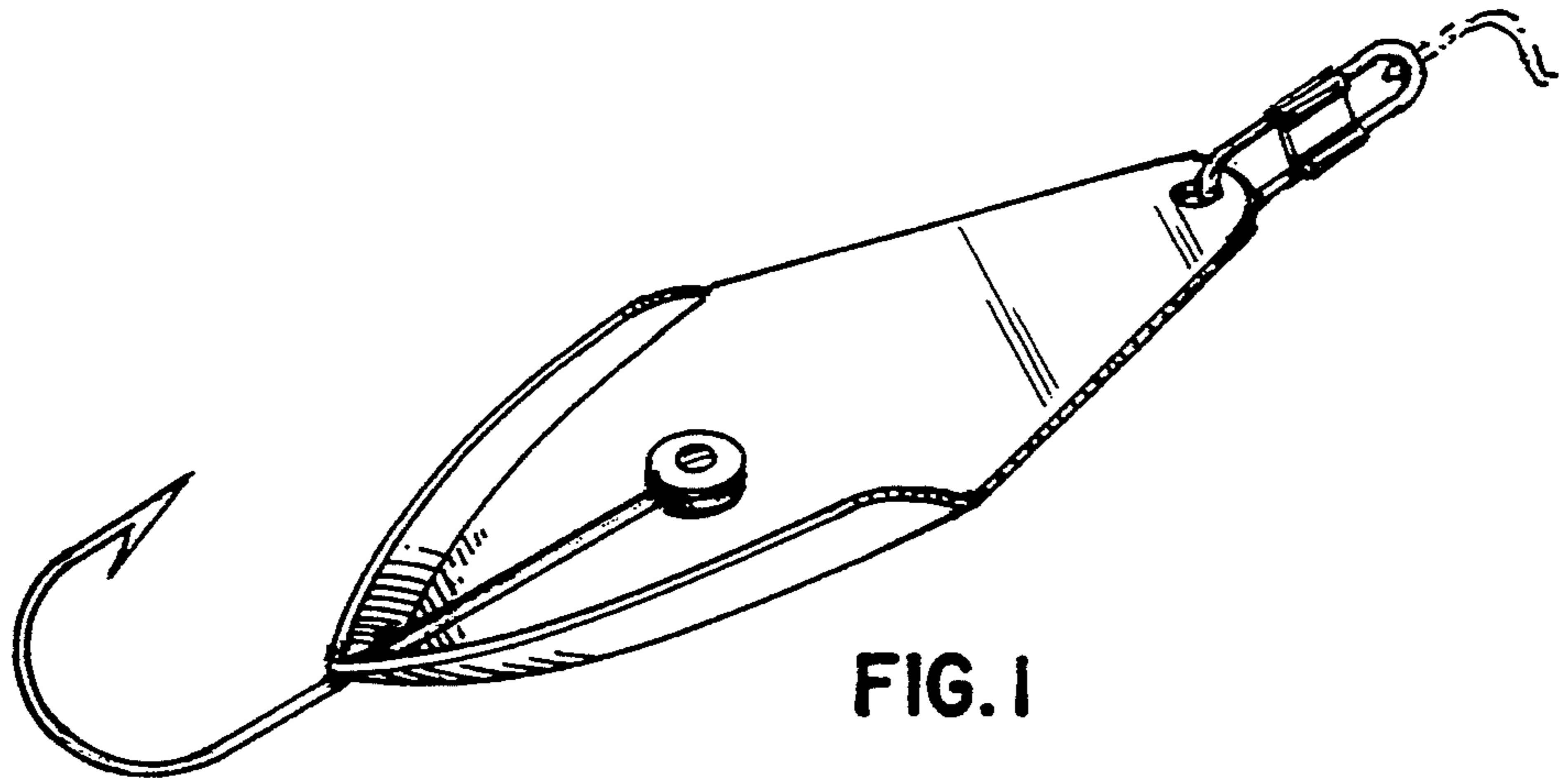
[56] References Cited

U.S. PATENT DOCUMENTS

1,471,280	10/1923	Reekers	43/42.18
1,598,958	9/1926	Crosby	D22/129 X
1,934,158	11/1933	Yarvice	43/42.28
1,956,783	5/1934	Yeo	43/42.06
2,315,307	3/1943	Wilson	D22/129 X
2,748,522	6/1956	Mulcahey	43/42.06
2,748,523	6/1956	McNabb	D22/129 X
3,755,955	9/1973	Saia	43/42.04 X

FIG. 1 is a perspective view of a fishing lure showing my new design;
FIG. 2 is a top plan view thereof;
FIG. 3 is a left side elevation view thereof;
FIG. 4 is a right side elevation view thereof;
FIG. 5 is a bottom plan view thereof;
FIG. 6 is a front end elevational view thereof; and,
FIG. 7 is a rear end elevational view thereof.
The broken line showing of environment in FIGS. 1-5, and 7 is for illustrative purposes only and forms no part of the claimed design.





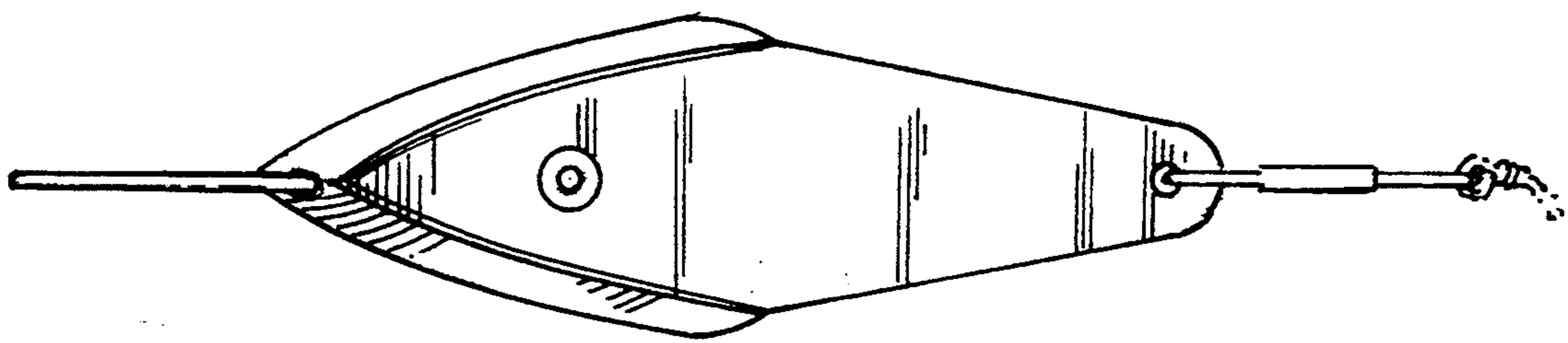


FIG. 5

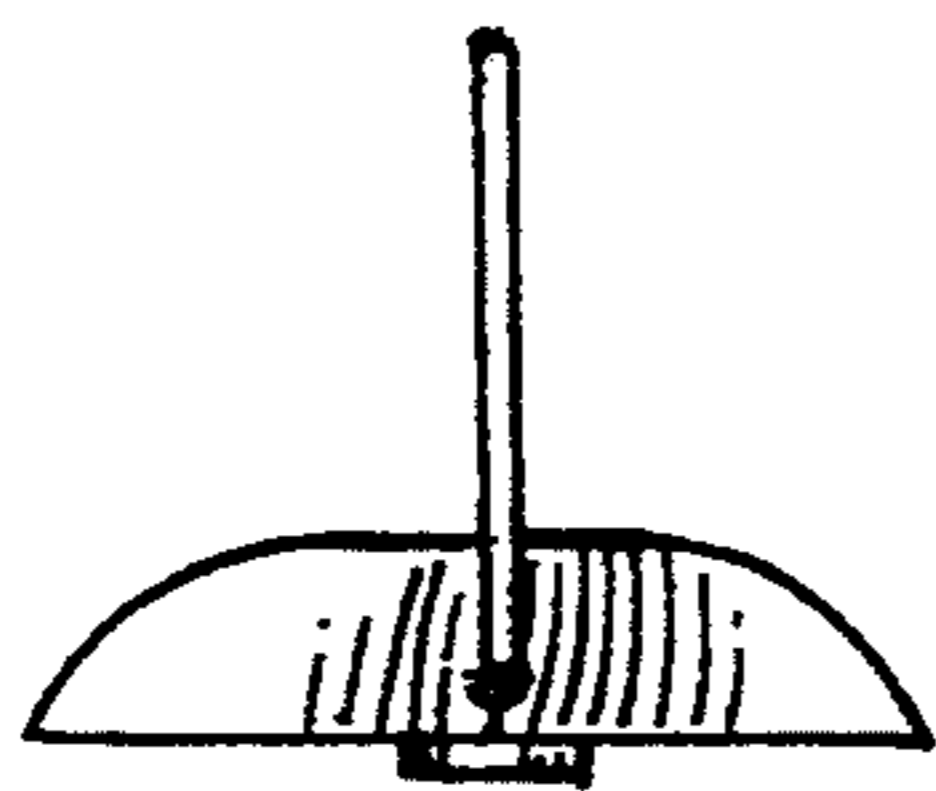


FIG. 6

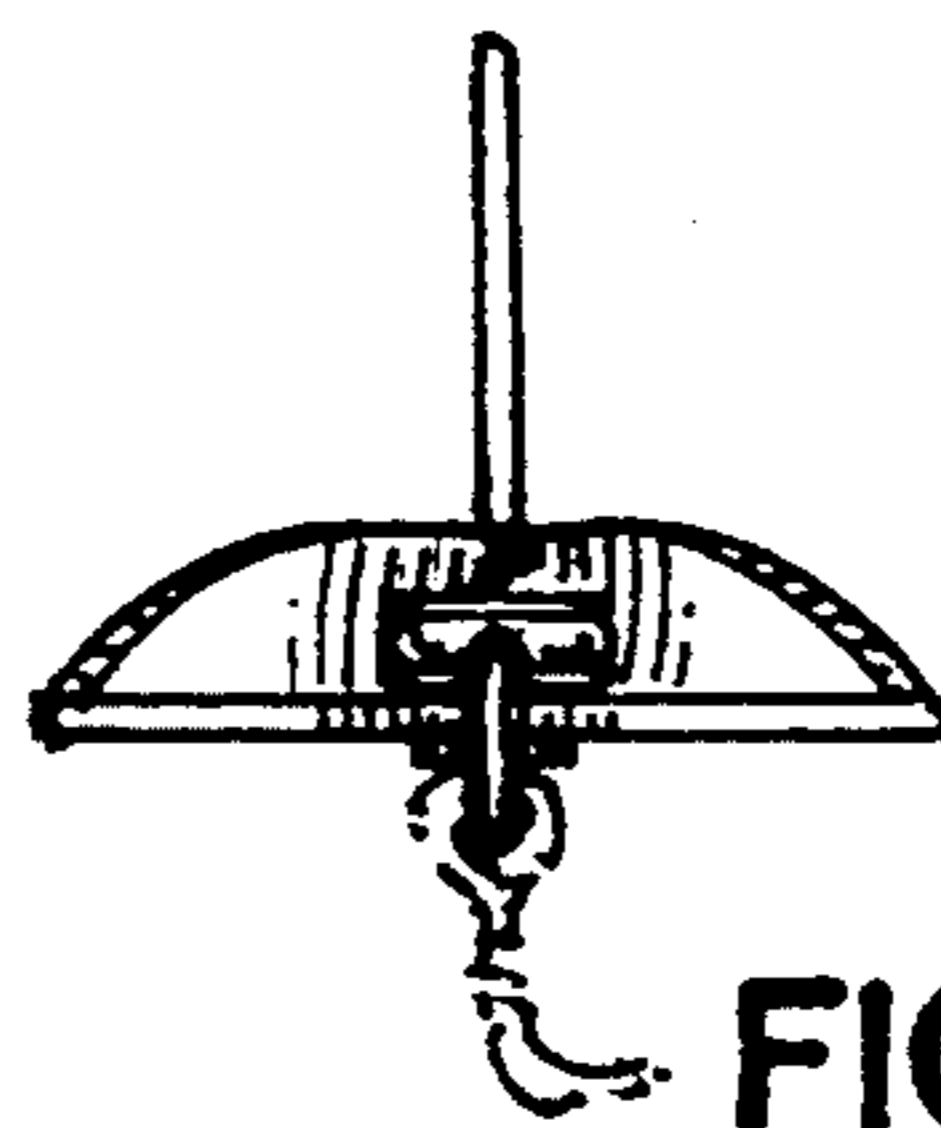


FIG. 7