



US00D356358S

United States Patent [19]
Woodruff

[11] **Patent Number: Des. 356,358**

[45] **Date of Patent: ** Mar. 14, 1995**

[54] **GOLF DIVOT TOOL**

[75] **Inventor: Carol J. Woodruff, Denver, Colo.**

[73] **Assignee: Mark-It of Colorado Ltd., Denver, Colo.**

[**] **Term: 14 Years**

[21] **Appl. No.: 914,421**

[22] **Filed: Jul. 15, 1992**

[52] **U.S. Cl. D21/234**

[58] **Field of Search D21/234; 15/105, 237; 273/32 A, 32 B**

[56] **References Cited**

U.S. PATENT DOCUMENTS

3,774,913 11/1973 Dien 273/32 B
4,386,774 6/1983 Buckman 273/32 A

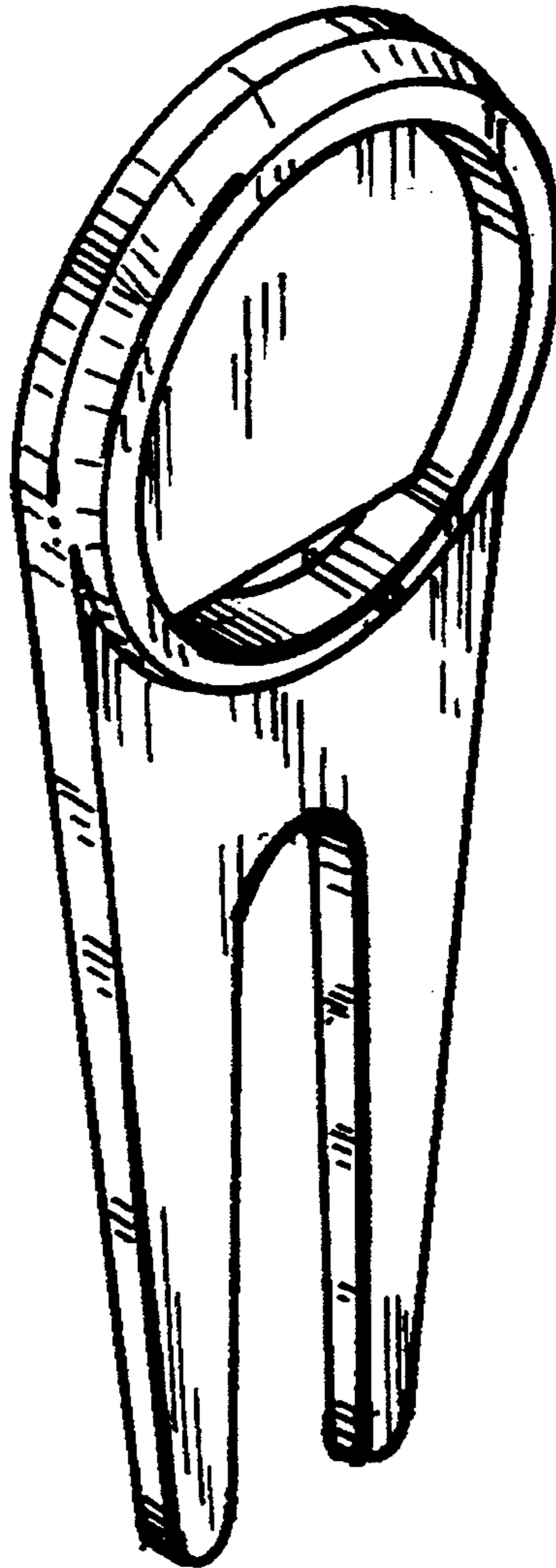
Primary Examiner—B. J. Bullock
Attorney, Agent, or Firm—Fields, Lewis, Rost & Smith

[57] **CLAIM**

The ornamental design for the golf divot tool, as shown and described.

DESCRIPTION

FIG. 1 is a perspective view of a golf divot tool constructed in accordance with this design;
FIG. 2 is a front elevation thereof;
FIG. 3 is a left side elevation thereof;
FIG. 4 is a rear elevation thereof;
FIG. 5 is a top plan view thereof;
FIG. 6 is a bottom plan view thereof; and,
FIG. 7 is an exploded perspective view thereof, the ball marker being shown in broken lines for illustrative purposes only.



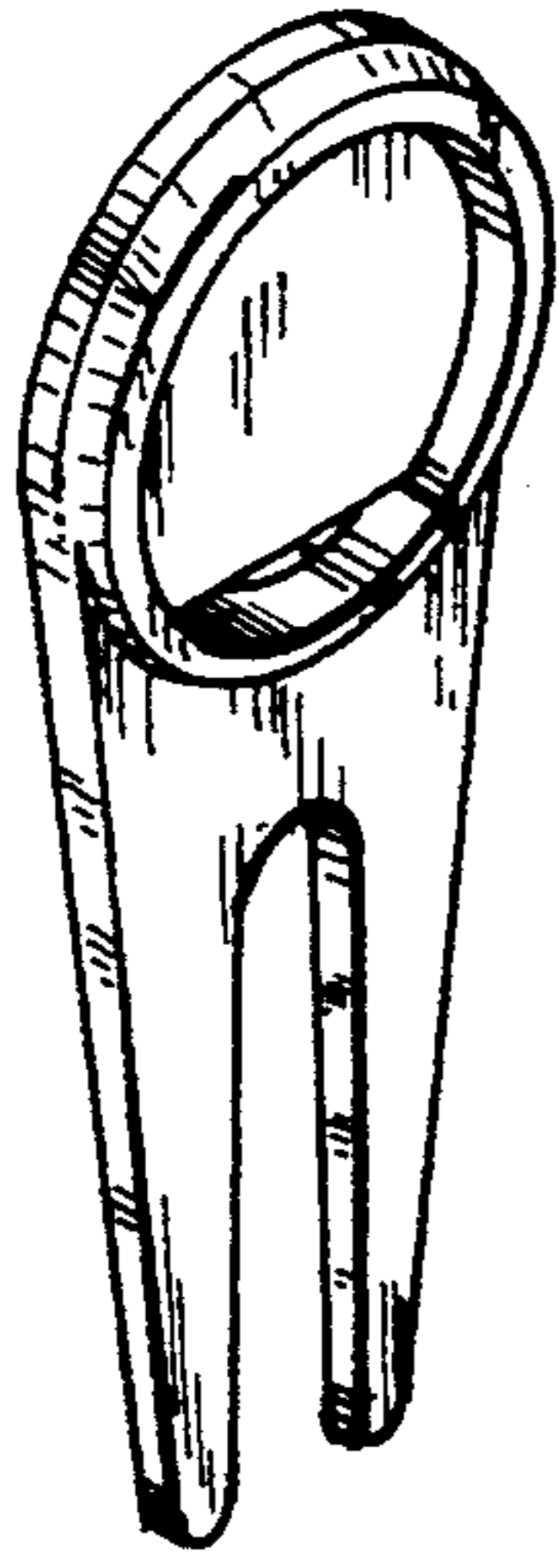


Fig 1

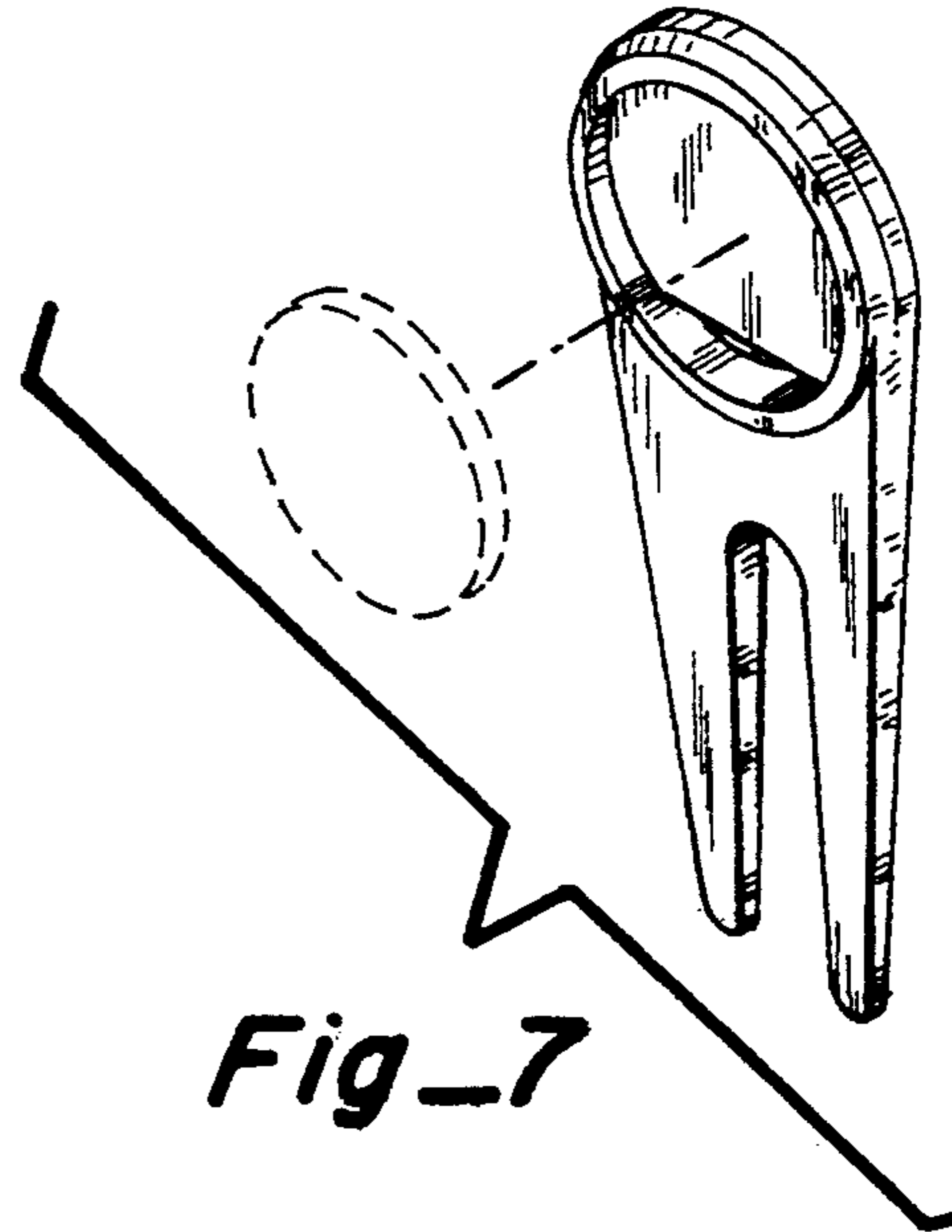


Fig 7

Fig 2

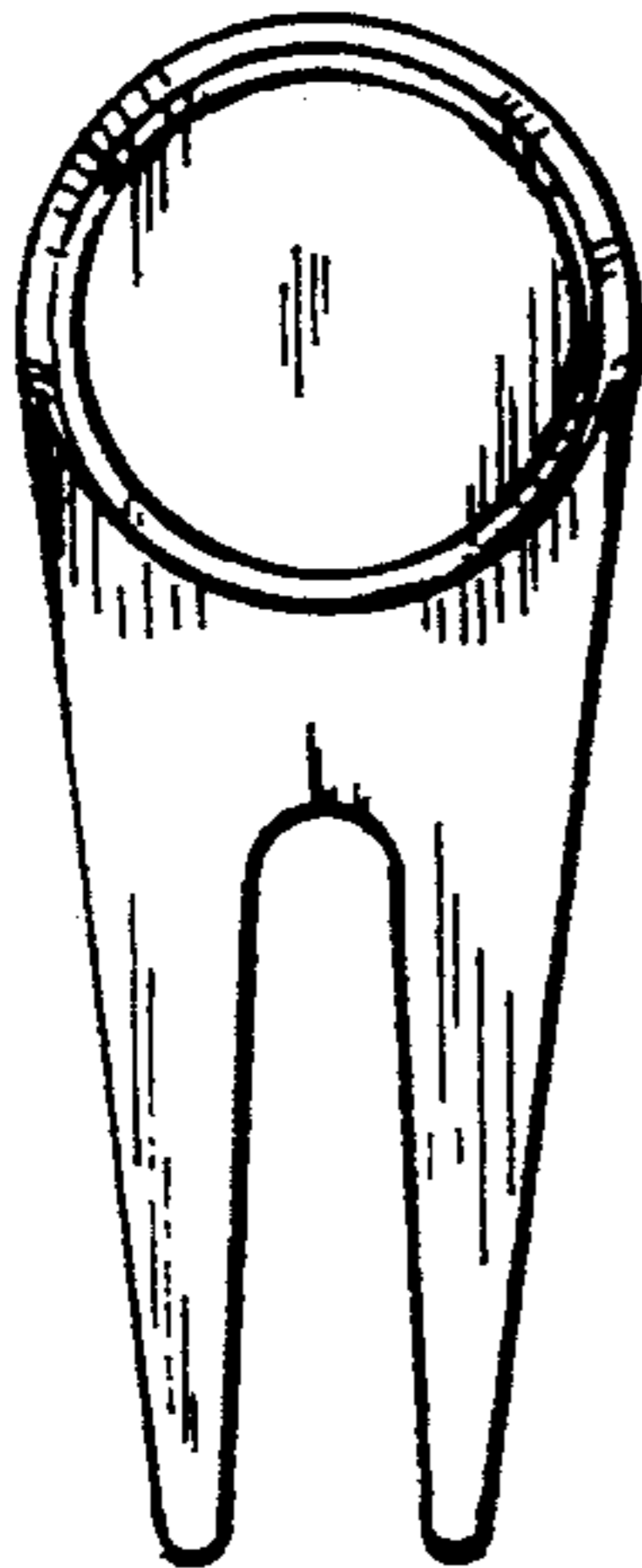


Fig 3

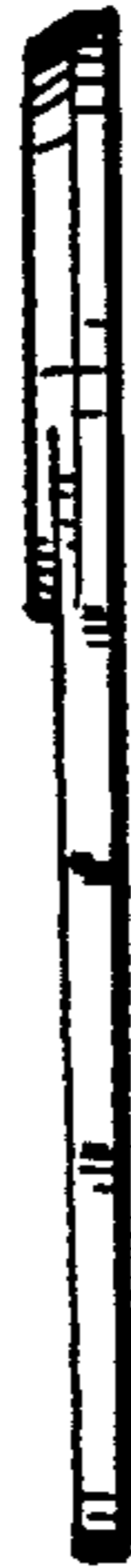


Fig 4

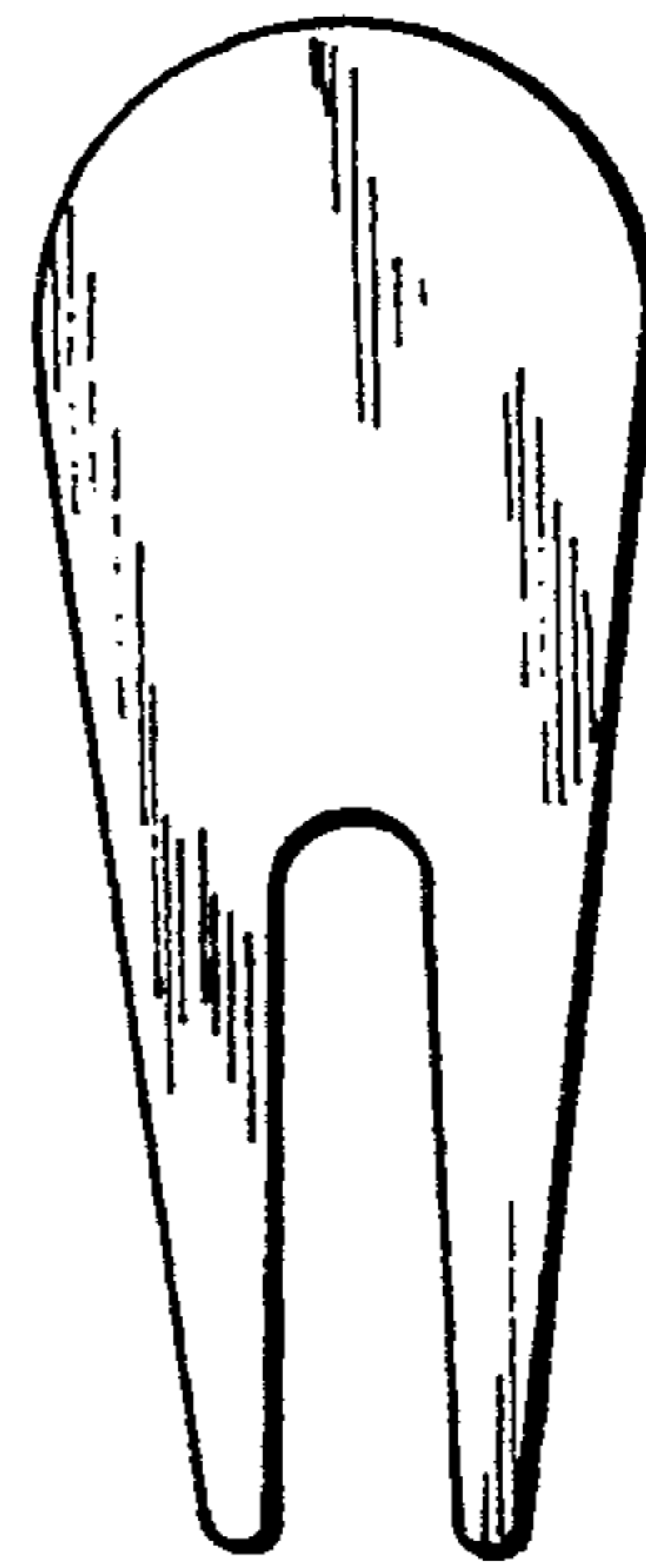


Fig 5



Fig 6