



US00D356355S

United States Patent [19]

[11] Patent Number: **Des. 356,355**

Martin

[45] Date of Patent: **** Mar. 14, 1995**

[54] TOY BALL

[76] Inventor: **Rod G. Martin**, 1588 English Dr.,
San Jose, Calif. 95129

[**] Term: **14 Years**

[21] Appl. No.: **22,279**

[22] Filed: **May 3, 1994**

Primary Examiner—Melvin B. Feifer
Assistant Examiner—Cheri Cohen
Attorney, Agent, or Firm—Skjerven, Morrill,
MacPherson, Franklin & Friel

[57] CLAIM

The ornamental design for a toy ball, as shown and described.

DESCRIPTION

FIG. 1 is a perspective view of a toy ball;
FIG. 2 is an exploded perspective view thereof;
FIG. 3 is a front elevation view thereof, the rear and side views being identical;
FIG. 4 is an exploded front elevation view thereof;
FIG. 5 is a top plan view thereof, the bottom view being identical;
FIG. 6 is a bottom plan view of the upper half portion shown in FIG. 4;
FIG. 7 is a top plan view of the bottom half portion shown in FIG. 4; and,
FIG. 8 is a front elevation view of a second alternate embodiment, the rear and side views being identical, and the top and bottom plan views being identical to FIG. 5.

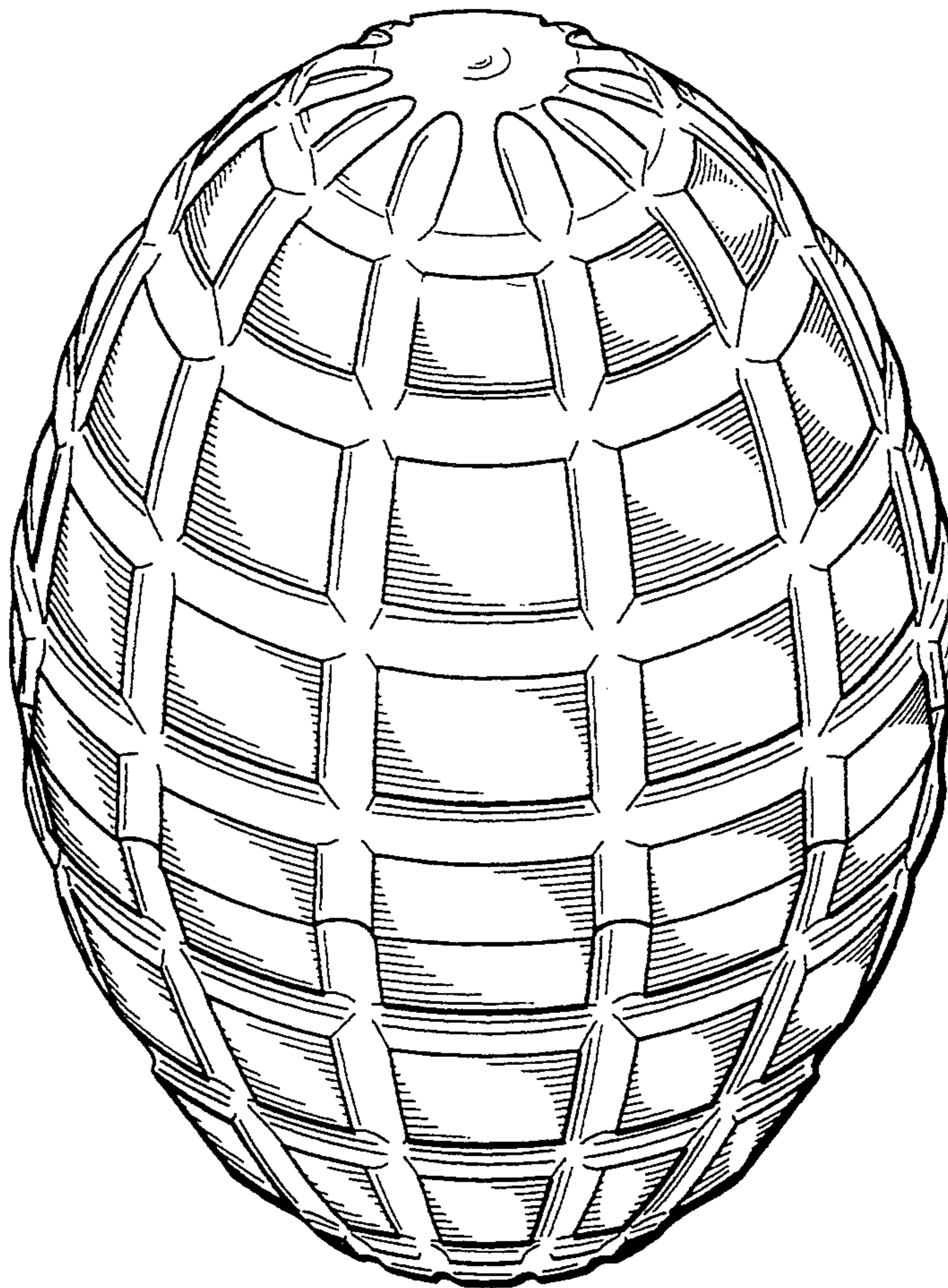
Related U.S. Application Data

- [63] Continuation of Ser. No. 162,422, Dec. 2, 1993.
- [52] U.S. Cl. **D21/204**
- [58] Field of Search D21/203-205;
273/58 R, 58 A, 58 B, 58 BA, 58 D, 58 J, 58 K,
65 R, 65 EG; 446/120, 121, 4

References Cited

U.S. PATENT DOCUMENTS

| | | | |
|-----------|---------|----------------------|------------|
| D. 52,712 | 11/1918 | Turner | D21/205 |
| D. 71,562 | 11/1926 | Penfold | D21/205 |
| 3,687,452 | 8/1972 | Thompson | 446/4 X |
| 4,871,169 | 10/1989 | Autorino et al. | 273/26 R |
| 4,887,814 | 12/1989 | Winter | 273/58 K X |
| 5,133,550 | 7/1992 | Handy | 273/58 K X |



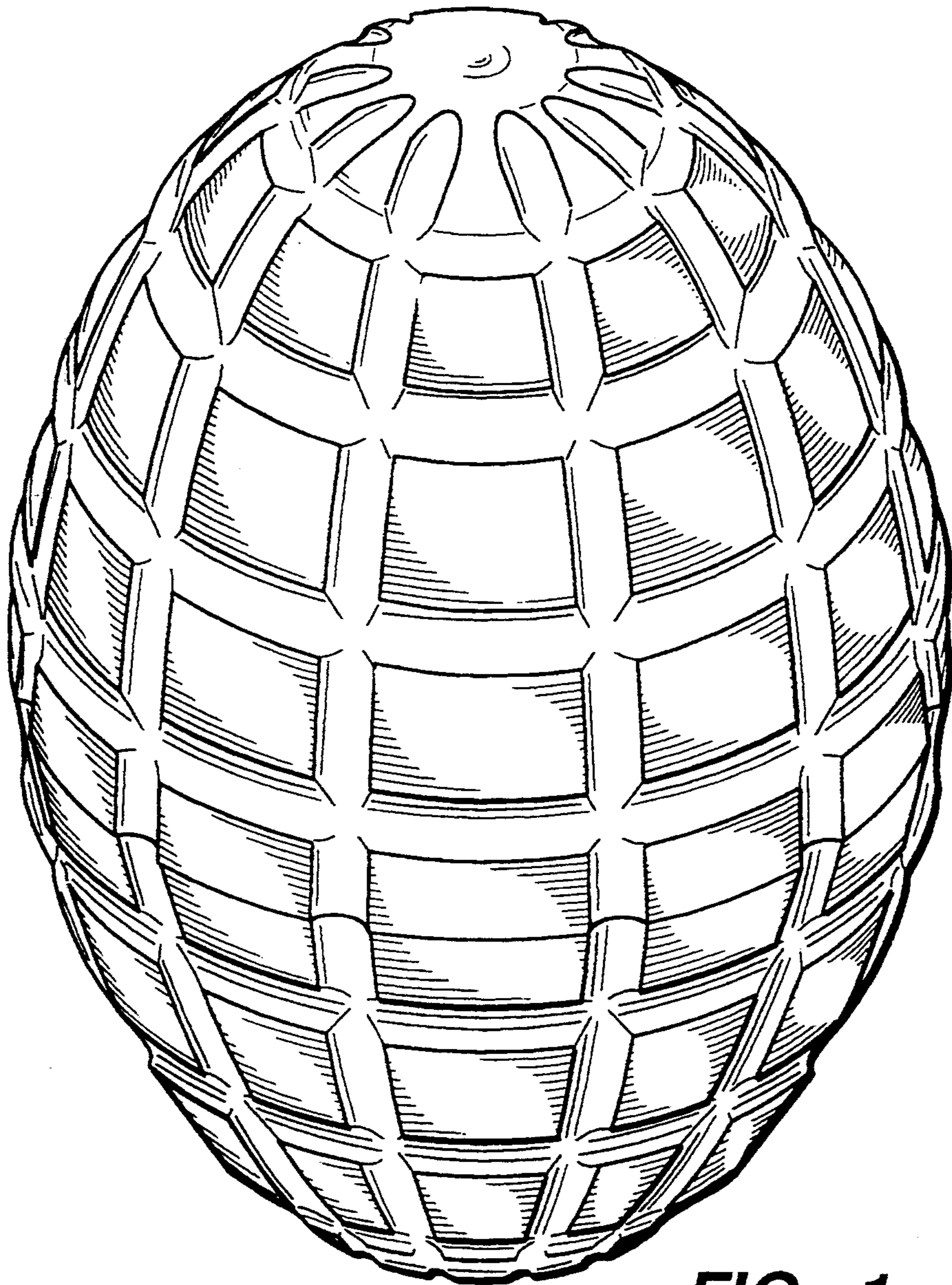
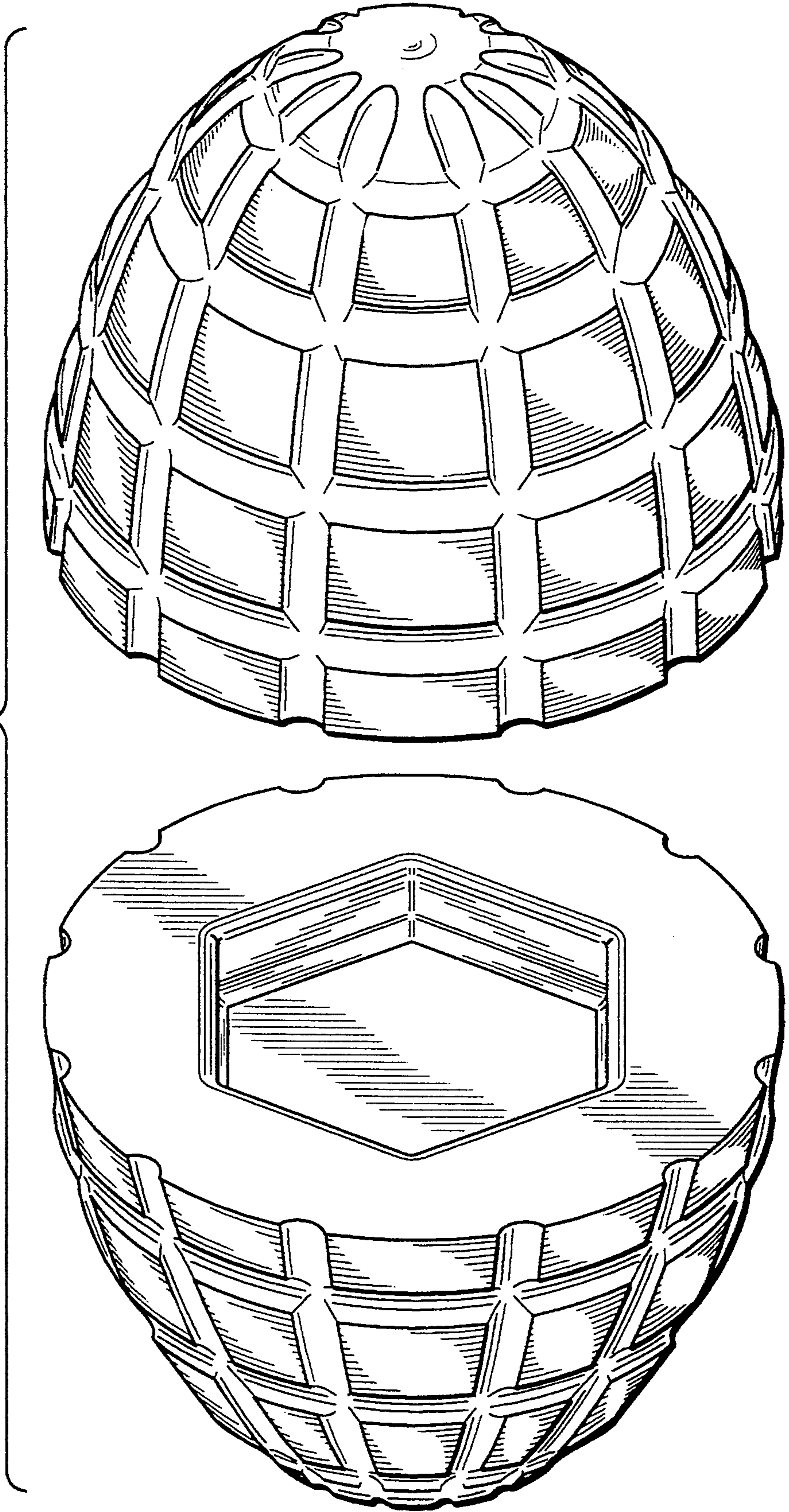


FIG. 1

FIG. 2



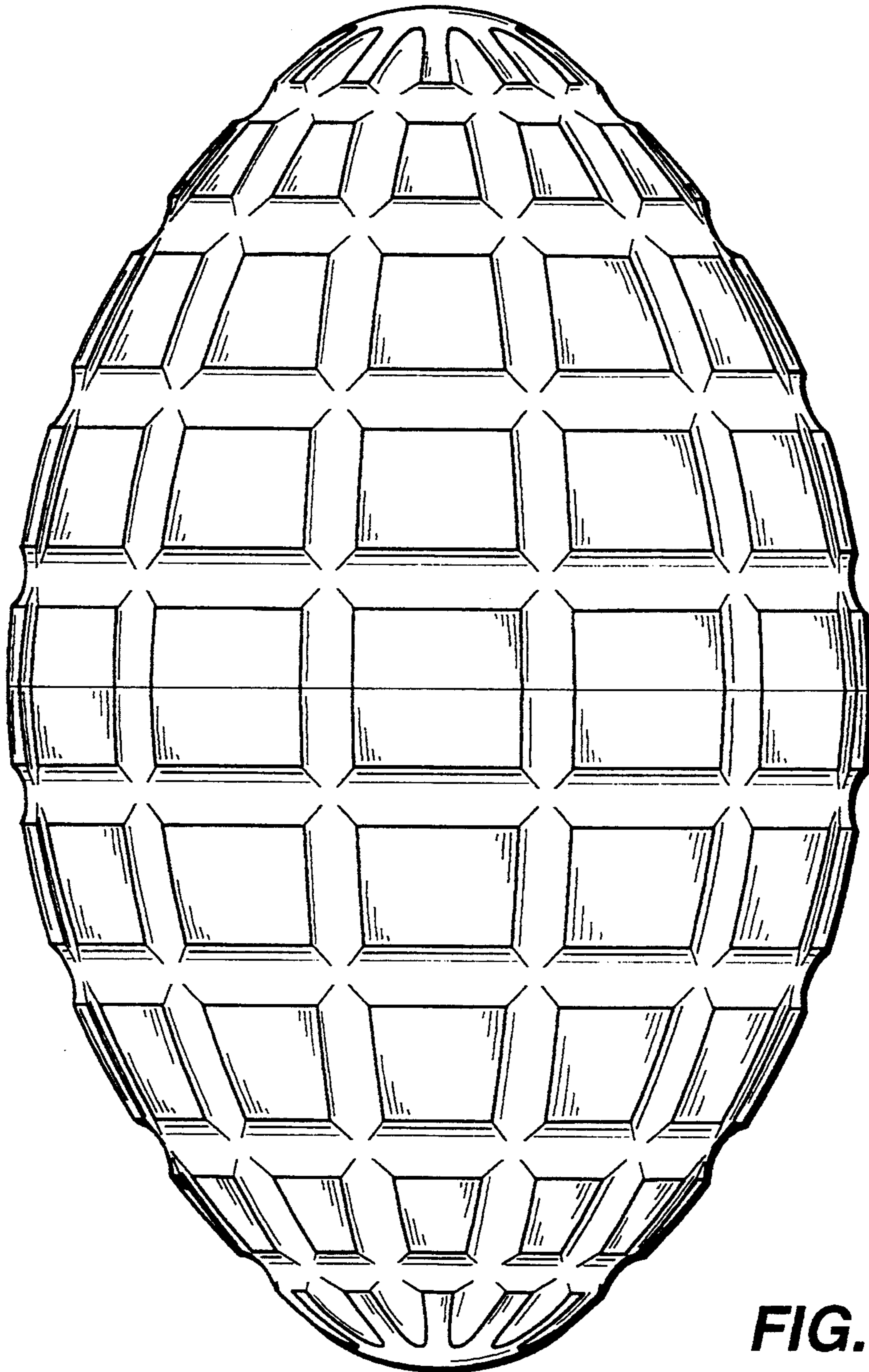
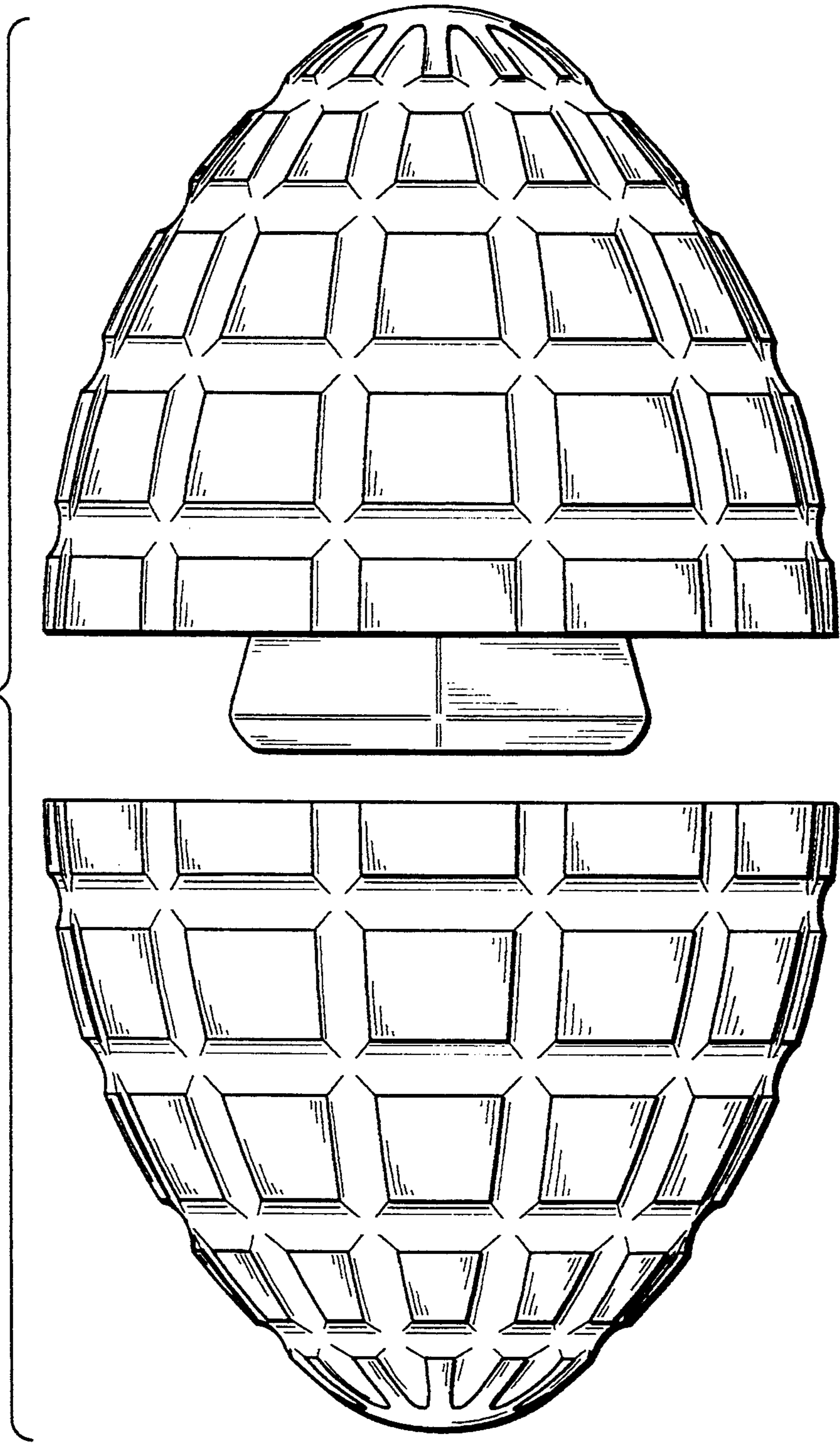


FIG. 3

FIG. 4



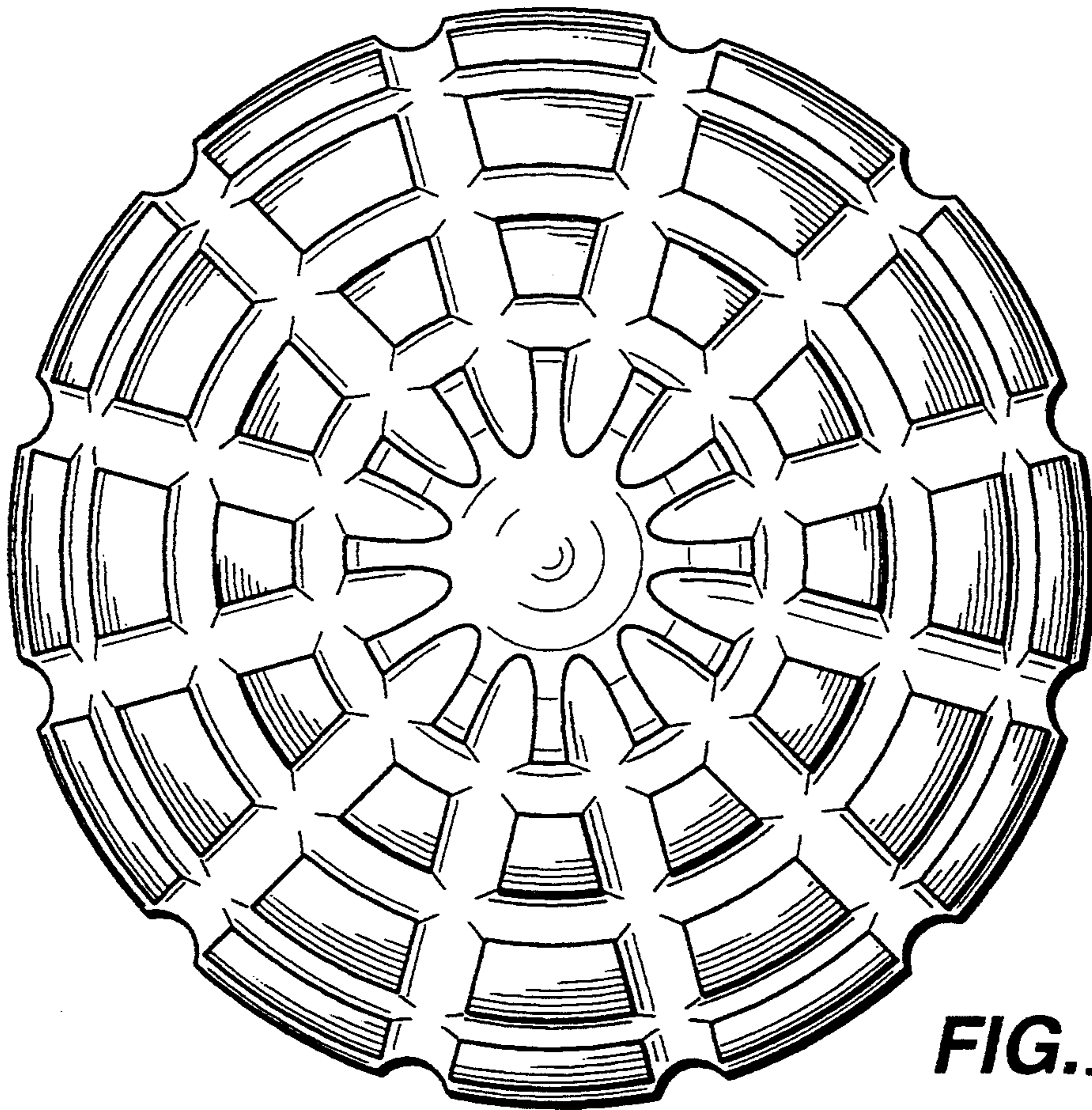


FIG. 5

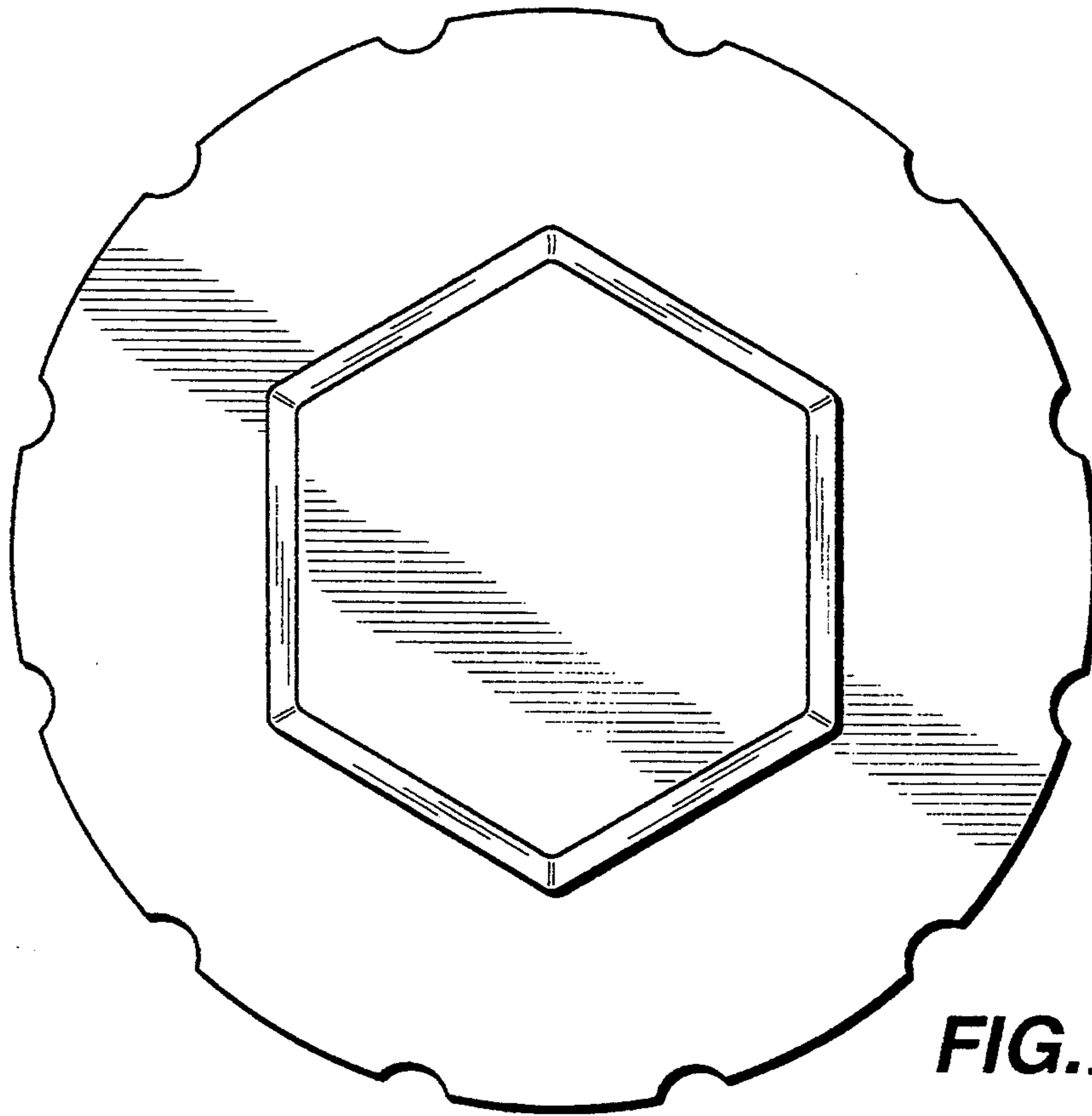


FIG. 6

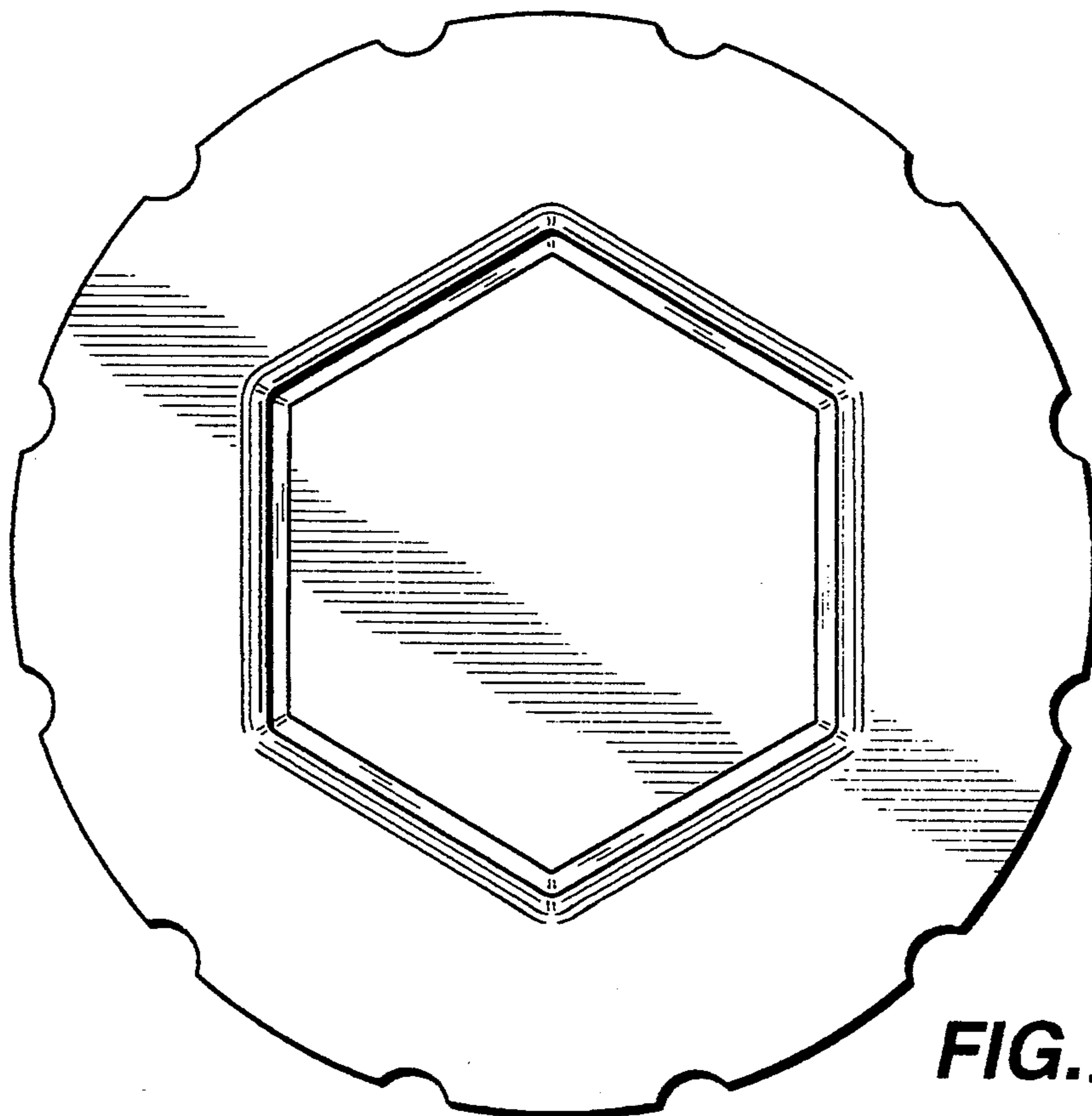


FIG. 7

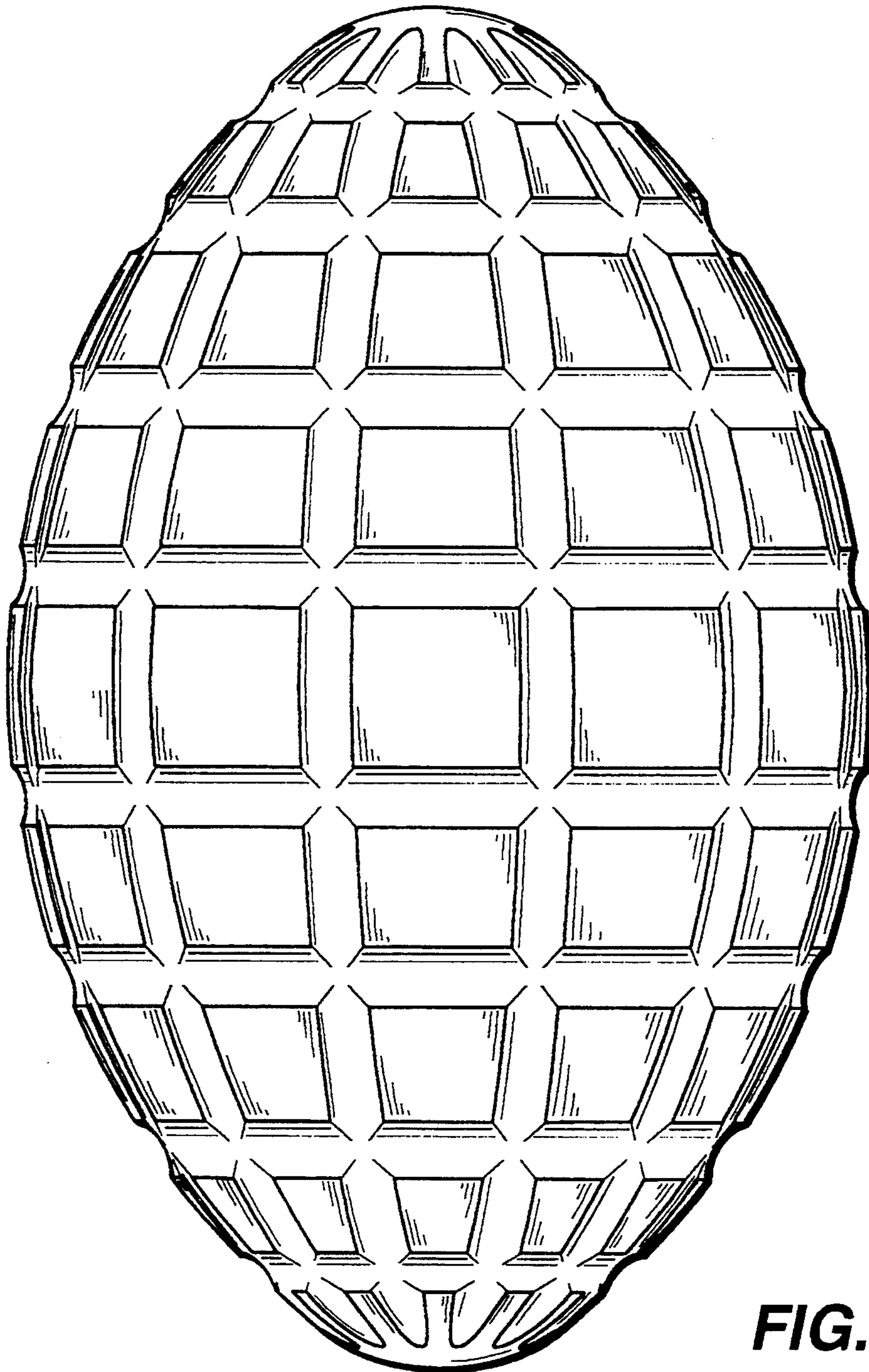


FIG._8