



US00D356346S

United States Patent [19]

[11] Patent Number: **Des. 356,346**

Yip

[45] Date of Patent: **** Mar. 14, 1995**

[54] **STAND FOR A NURSERY MOBILE**

[75] Inventor: **Alan C. W. Yip**, Kowloon Bay, Hong Kong

[73] Assignee: **Found Express Industries Limited**, Hong Kong, Hong Kong

[**] Term: **14 Years**

[21] Appl. No.: **15,729**

[22] Filed: **Nov. 26, 1993**

[30] **Foreign Application Priority Data**

May 26, 1993 [GB] United Kingdom 2031319

[52] U.S. Cl. **D21/63**

[58] Field of Search D21/63; 446/227, 228, 446/229; 40/617, 493

[56] **References Cited**

U.S. PATENT DOCUMENTS

D. 174,954 6/1955 Hayden D21/63 X

D. 193,093 6/1962 Wiele D21/63

D. 261,783	11/1981	Nakao	D21/63
D. 299,936	2/1989	Williams et al.	D21/63
D. 336,495	6/1993	Raiffe et al.	D21/63
4,756,109	7/1988	Marcus	446/227 X
4,904,220	2/1990	Williams et al.	446/227

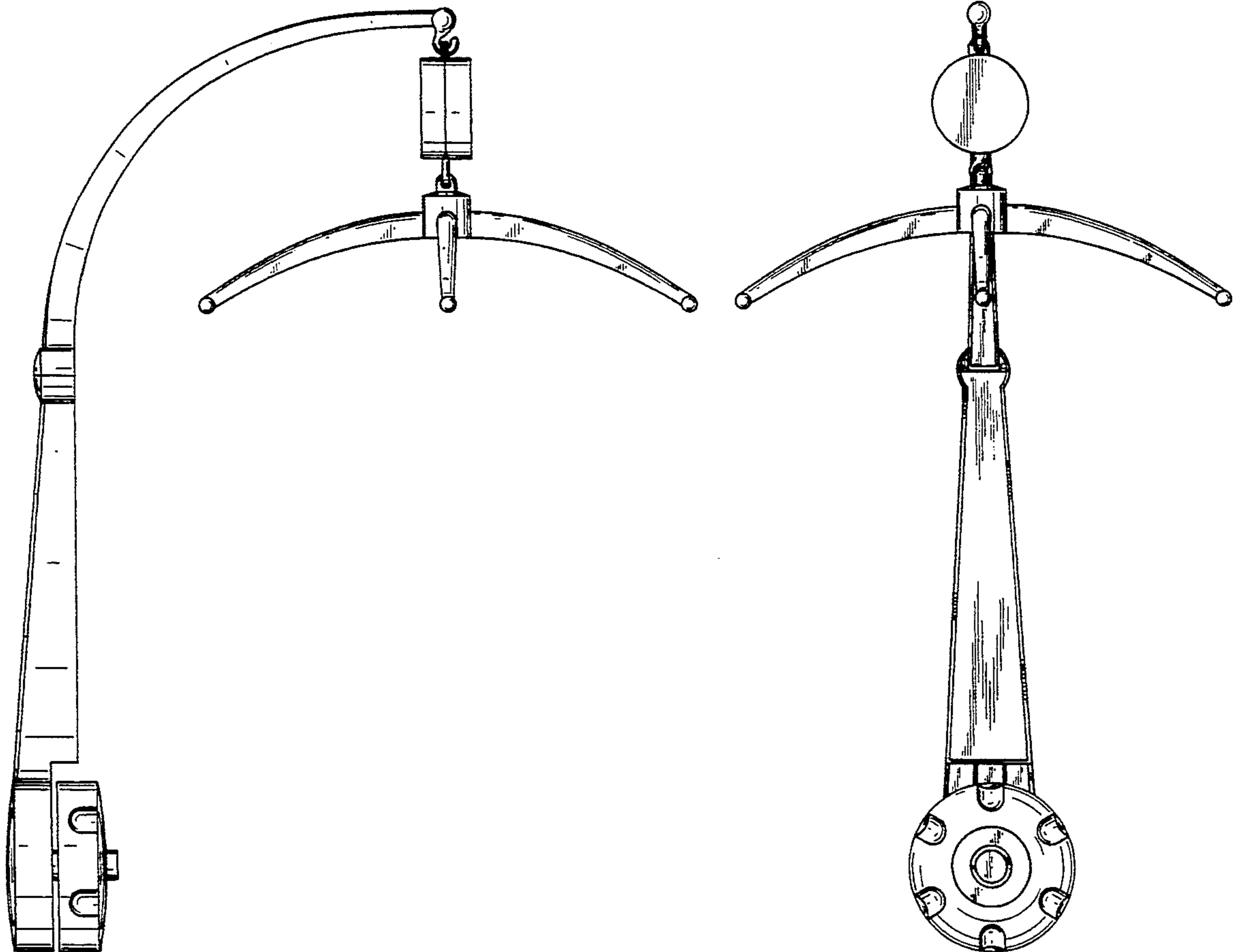
Primary Examiner—Bernard Ansher
Assistant Examiner—Dominic Simone
Attorney, Agent, or Firm—Leydig, Voit & Mayer

[57] **CLAIM**

The ornamental design for a stand for a nursery mobile, as shown.

DESCRIPTION

FIG. 1 is a left side view of the stand for a nursery mobile of the present invention;
FIG. 2 is a front view of the stand for a nursery mobile of FIG. 1;
FIG. 3 is a rear view of the stand for a nursery mobile of FIG. 1; and,
FIG. 4 is a plan view of the stand for a nursery mobile of FIG. 1.



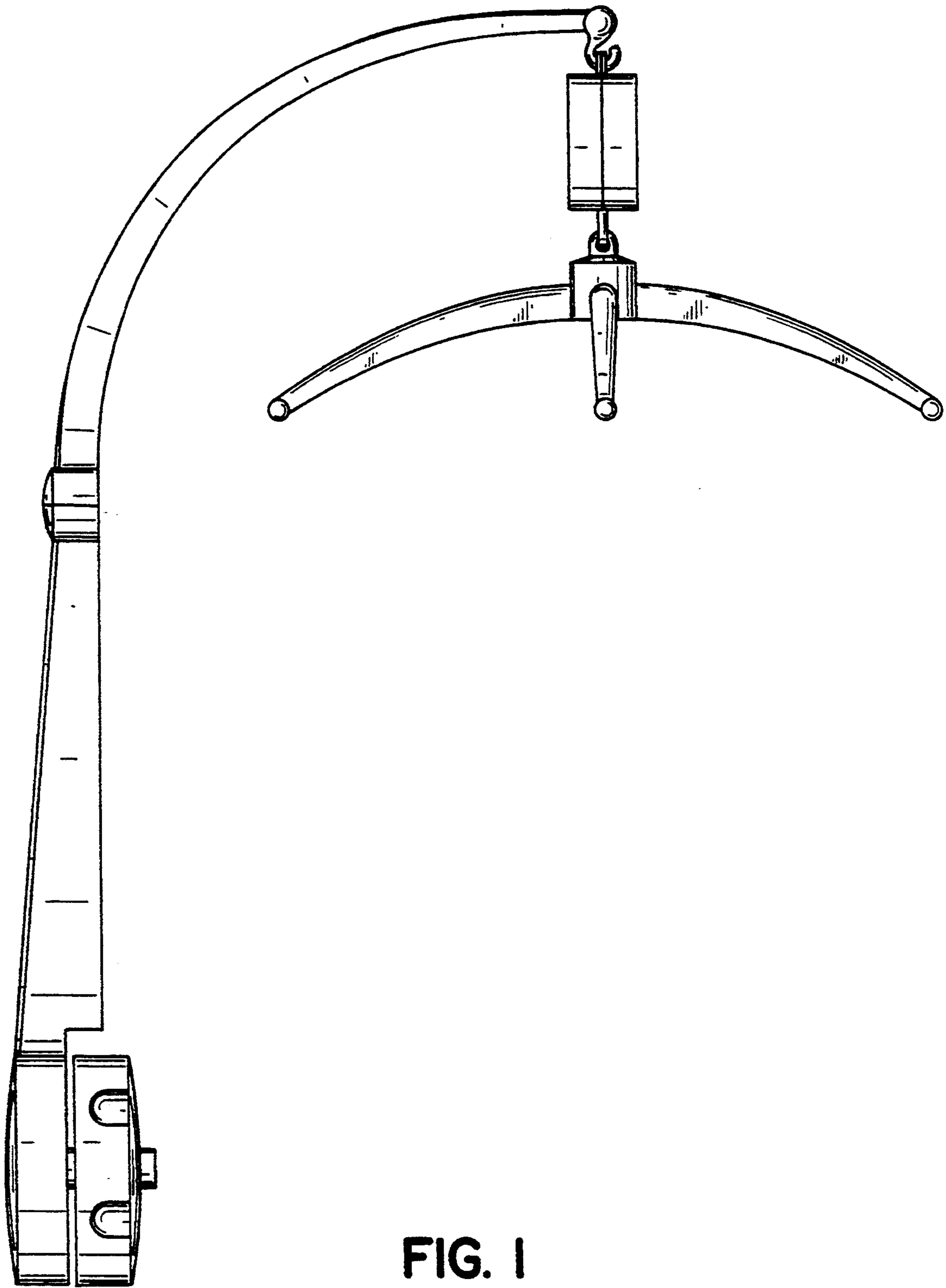


FIG. 1

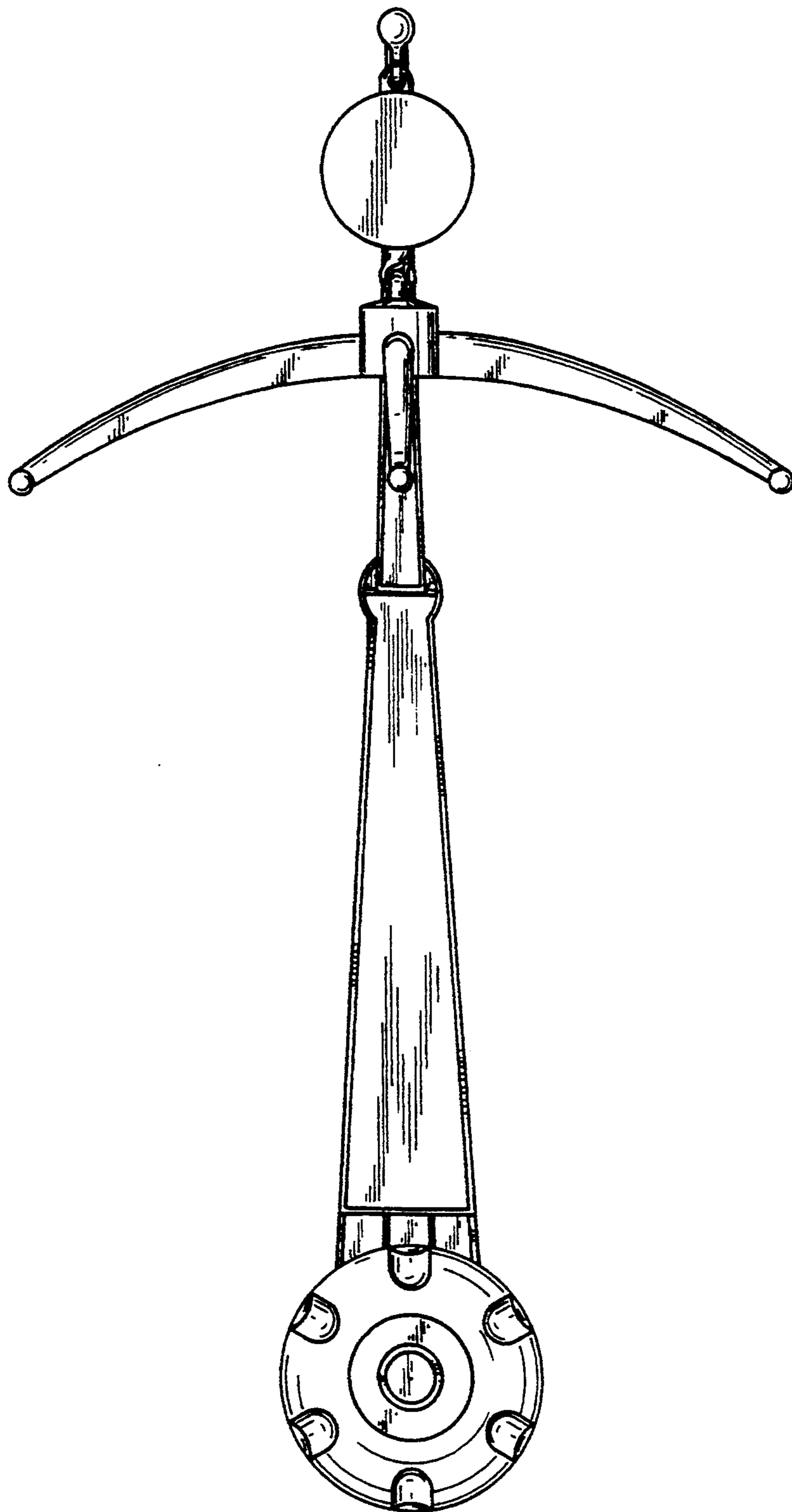


FIG. 2

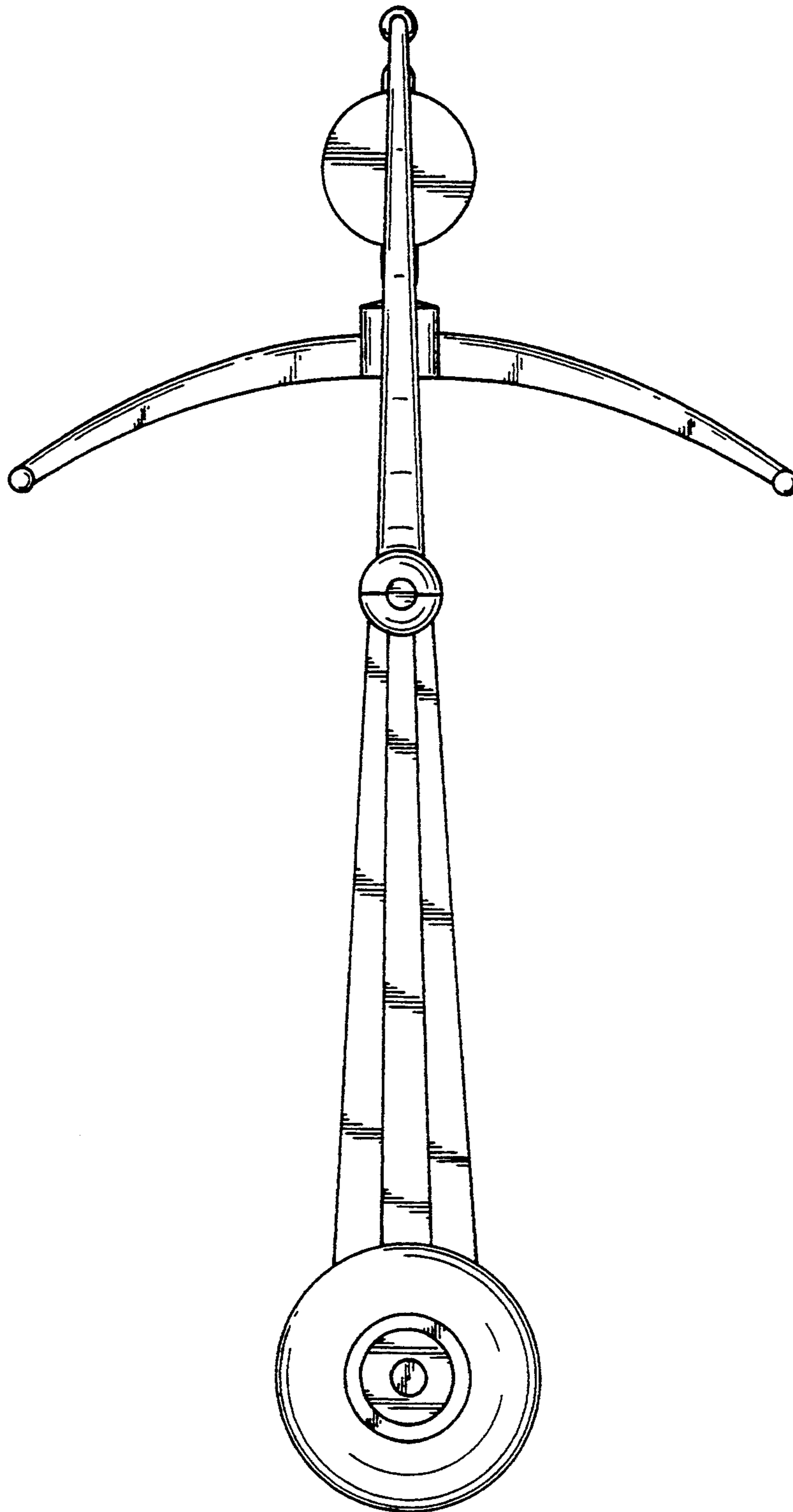


FIG. 3

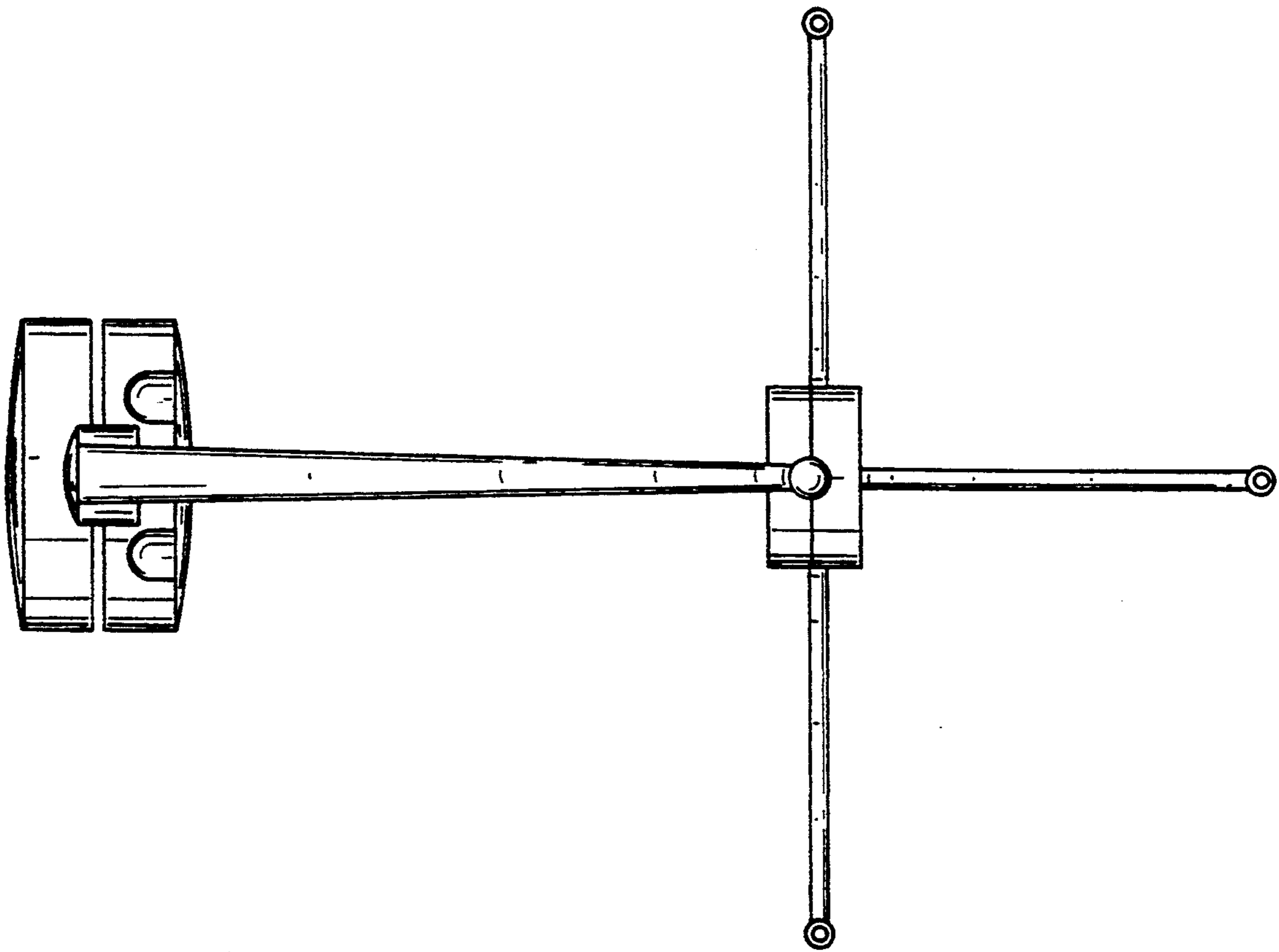


FIG. 4