



US00D356337S

# United States Patent [19]

Douglas

[11] Patent Number: **Des. 356,337**

[45] Date of Patent: **\*\* Mar. 14, 1995**

- [54] **HORIZONTAL AND VERTICAL ORGANIZER WITH INSERT**
- [75] Inventor: **Patrick L. Douglas, Chicago, Ill.**
- [73] Assignee: **American Trading and Production Corporation, Baltimore, Md.**
- [\*\*] Term: **14 Years**
- [21] Appl. No.: **21,476**
- [22] Filed: **Apr. 18, 1994**
- [52] U.S. Cl. .... **D19/75; D19/69; D19/78; D19/85; D19/92; D19/90**
- [58] Field of Search ..... **D19/65, 75, 76, 67-69, D19/77, 78, 81-85, 86, 90, 91, 92, 95, 99, 100; 211/11, 126; 206/214, 371, 224; 312/278, 280**

- D. 290,268 6/1987 Tsang et al. .... D19/69 X
- D. 290,852 7/1987 Wang ..... D19/75
- D. 305,553 1/1990 Pugliese et al. .... D19/95 X
- D. 322,463 12/1991 Hansen ..... D19/92
- D. 342,758 12/1993 Kirchhoff et al. .... D19/75
- 4,700,829 10/1987 Goodyear ..... 206/214

*Primary Examiner*—Martie Thompson  
*Attorney, Agent, or Firm*—Cohn, Powell & Hind

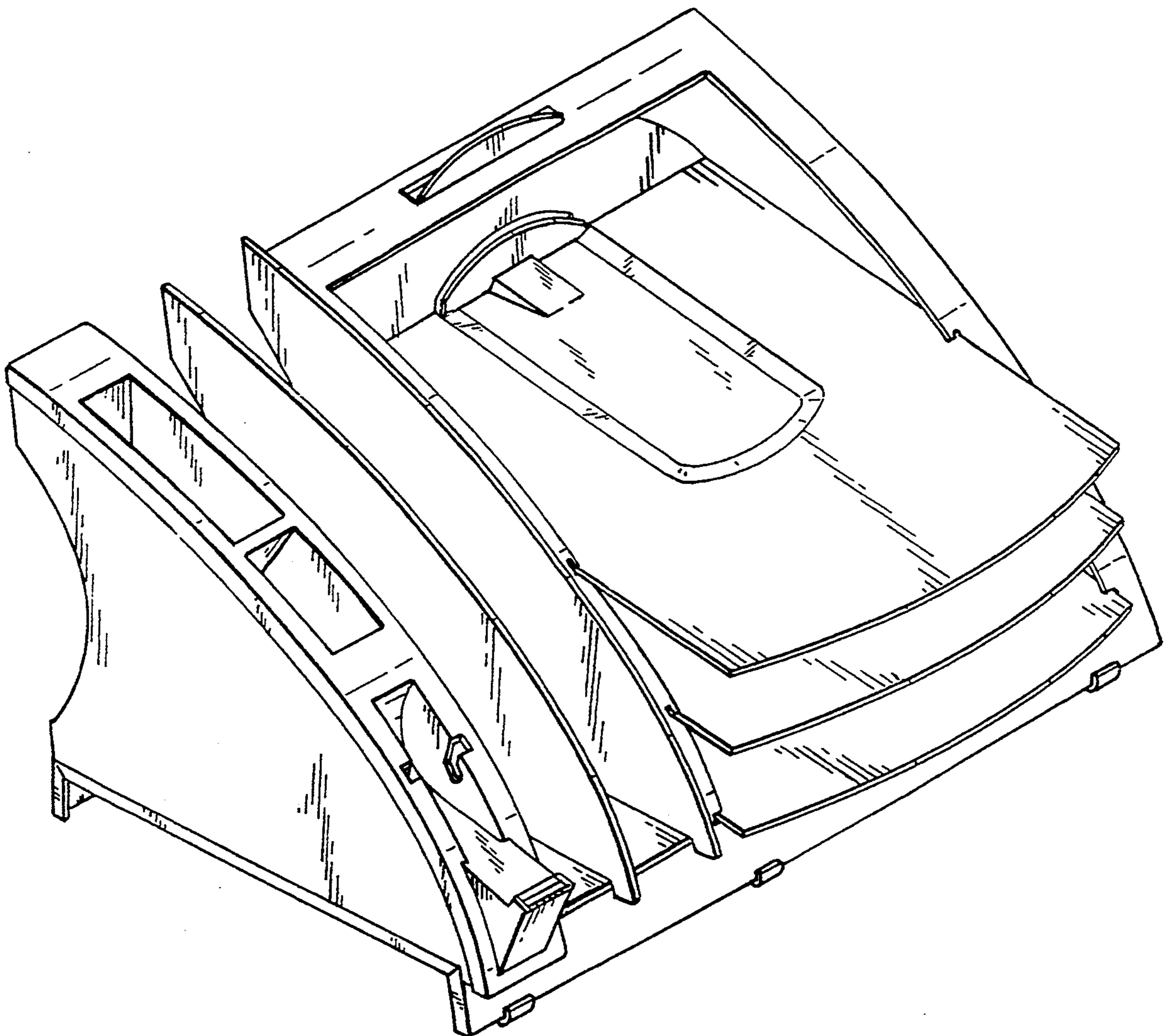
### [57] CLAIM

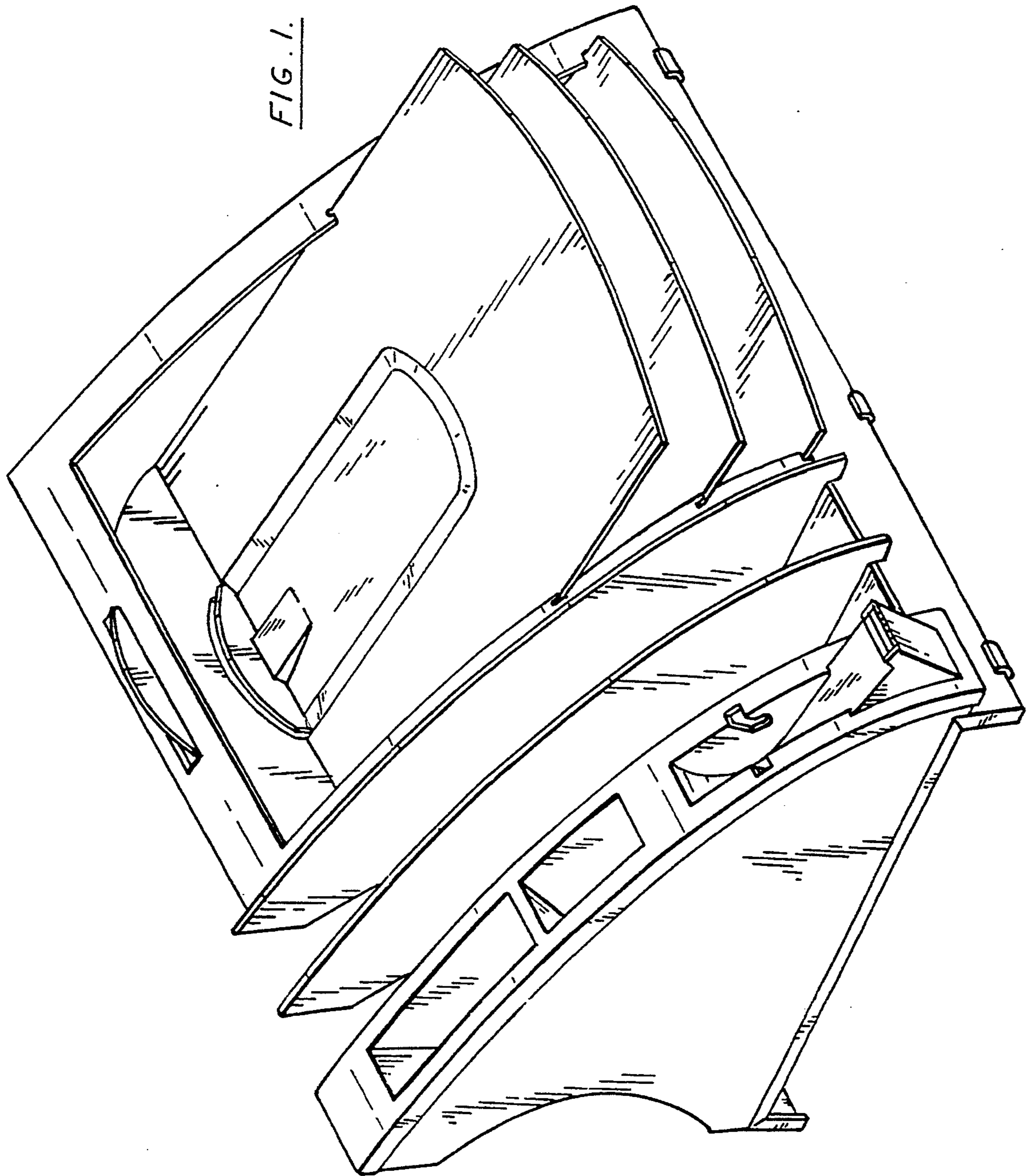
The ornamental design for a horizontal and vertical organizer with insert, as shown and described.

### DESCRIPTION

FIG. 1 is a front perspective view of a horizontal and vertical organizer with insert showing my new design; FIG. 2 is a top plan view thereof; FIG. 3 is a front elevational view thereof; FIG. 4 is a left side elevational view thereof; FIG. 5 is a right side elevational view thereof; FIG. 6 is a rear elevational view thereof; and, FIG. 7 is a bottom plan view thereof.

- [56] **References Cited**
- U.S. PATENT DOCUMENTS**
- 262,312 8/1882 Rearden ..... 312/280
- D. 270,256 8/1983 Sankey ..... D19/90 X





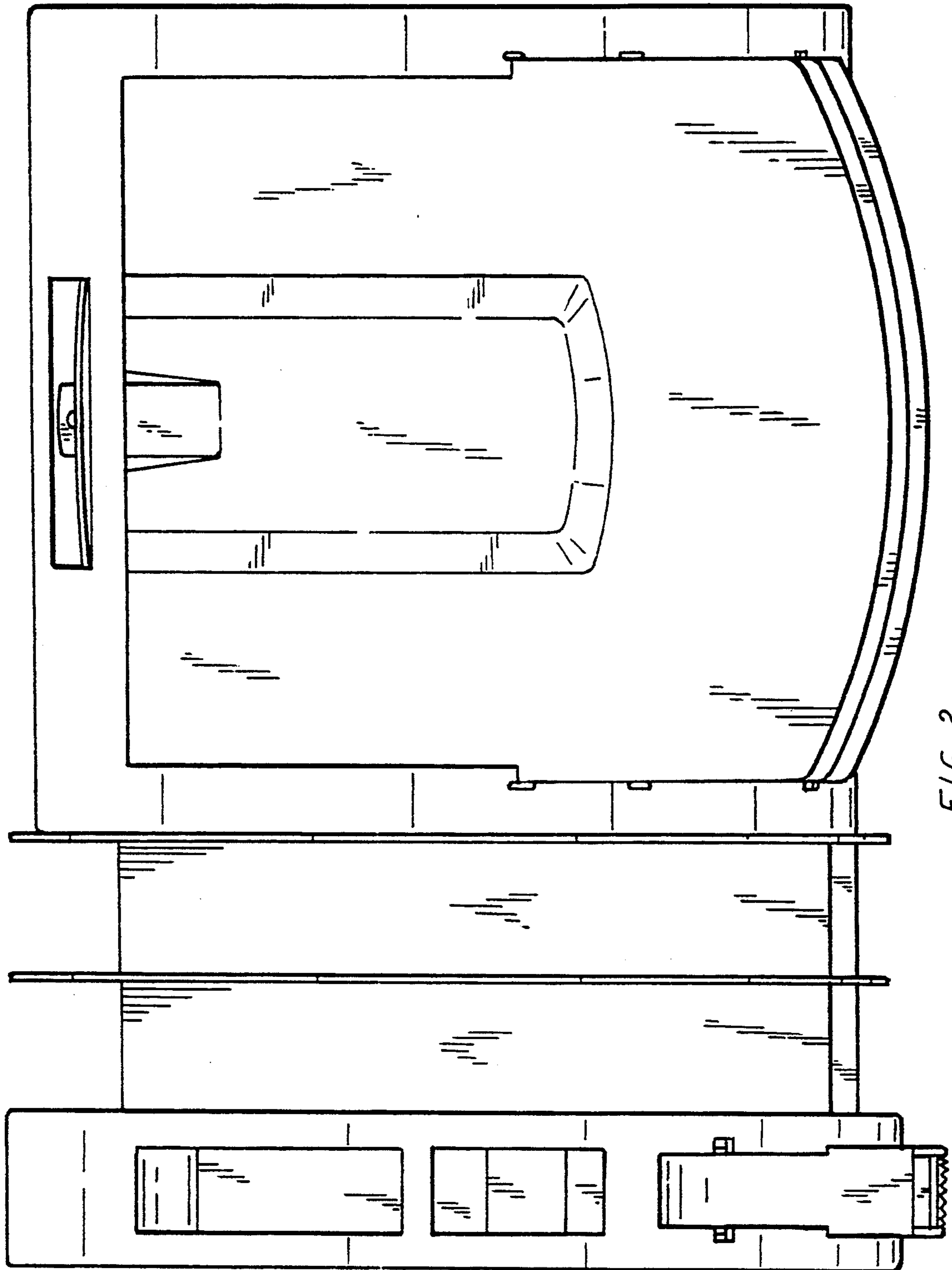
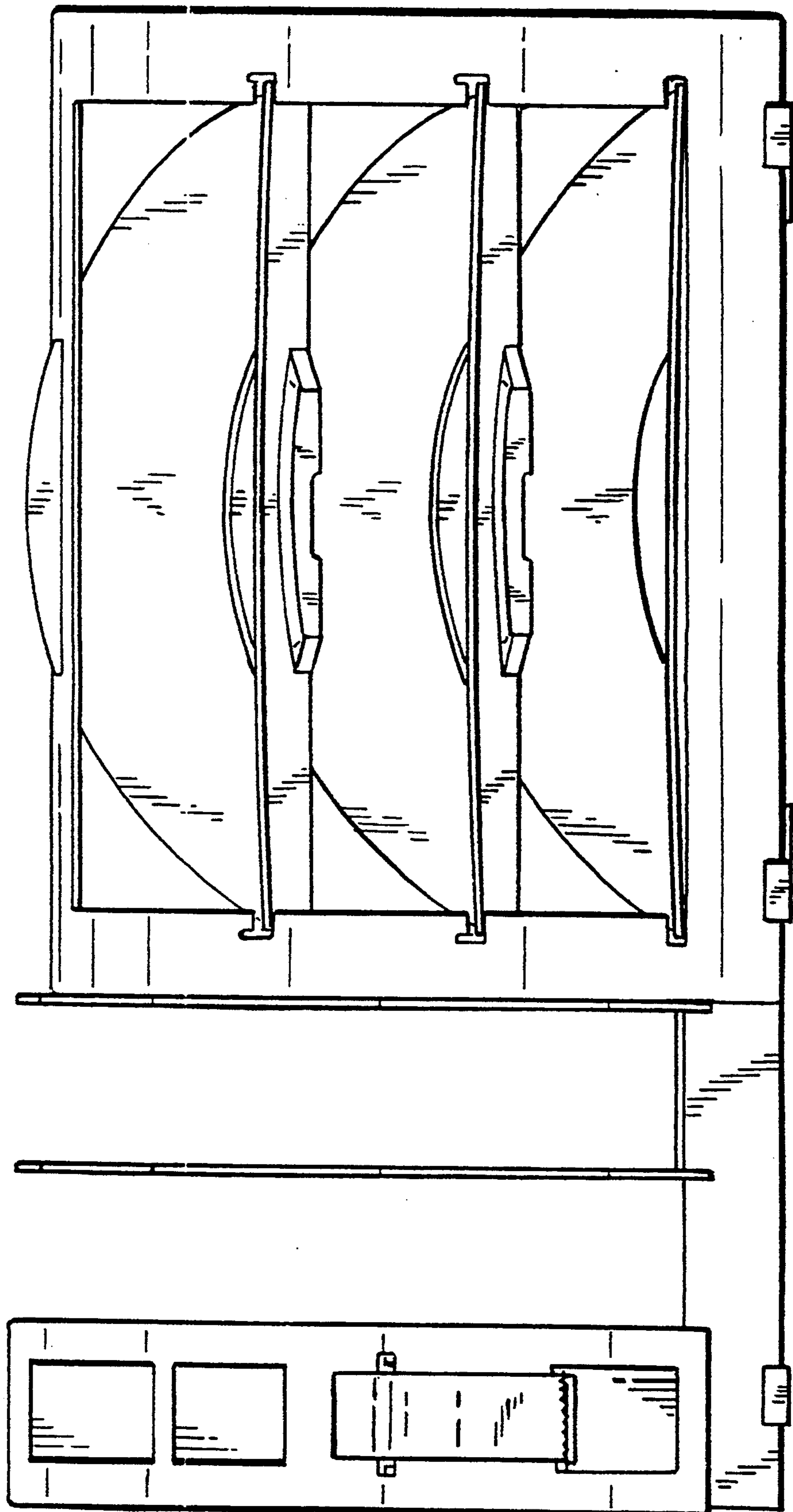


FIG. 2.

FIG. 3.



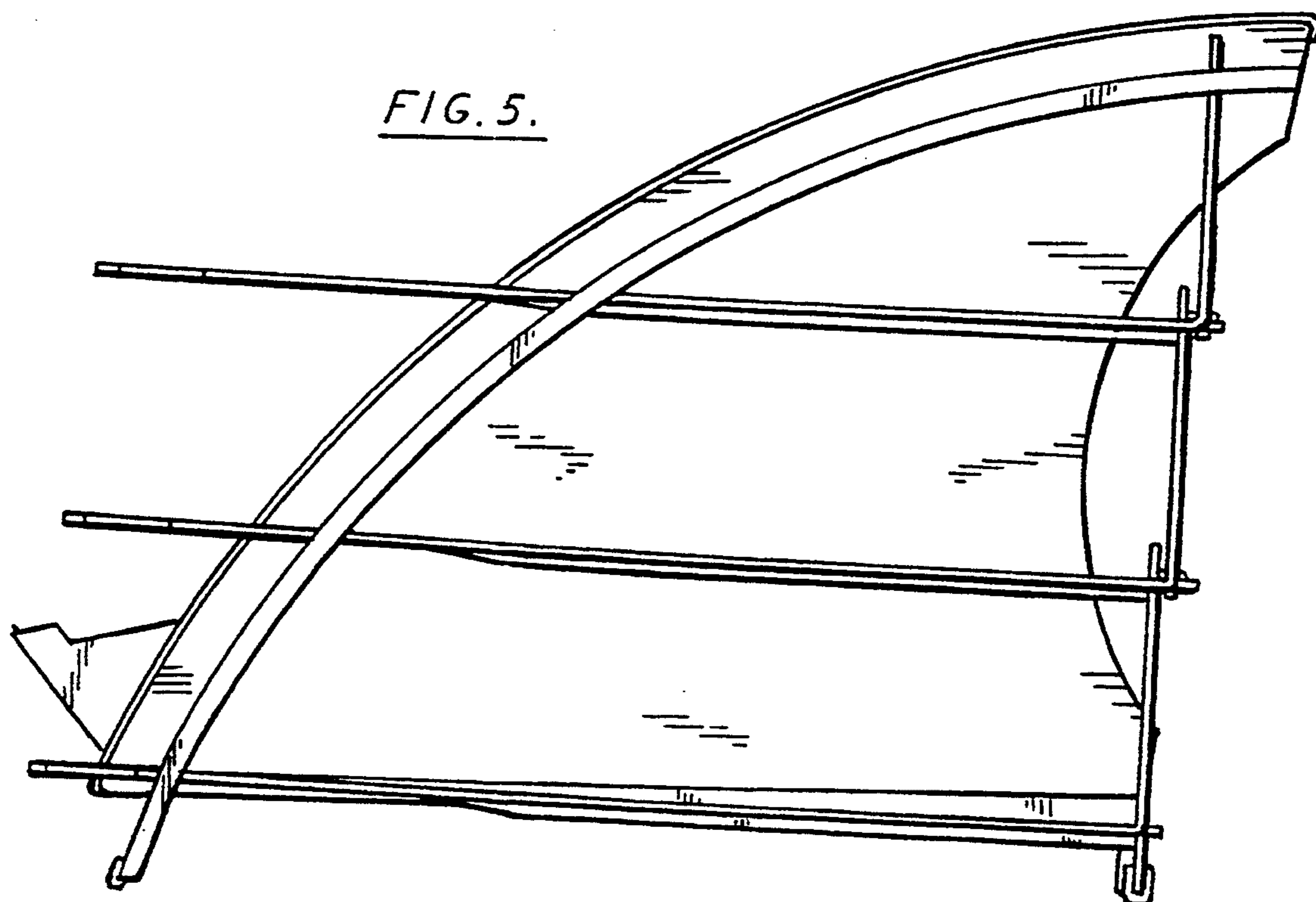
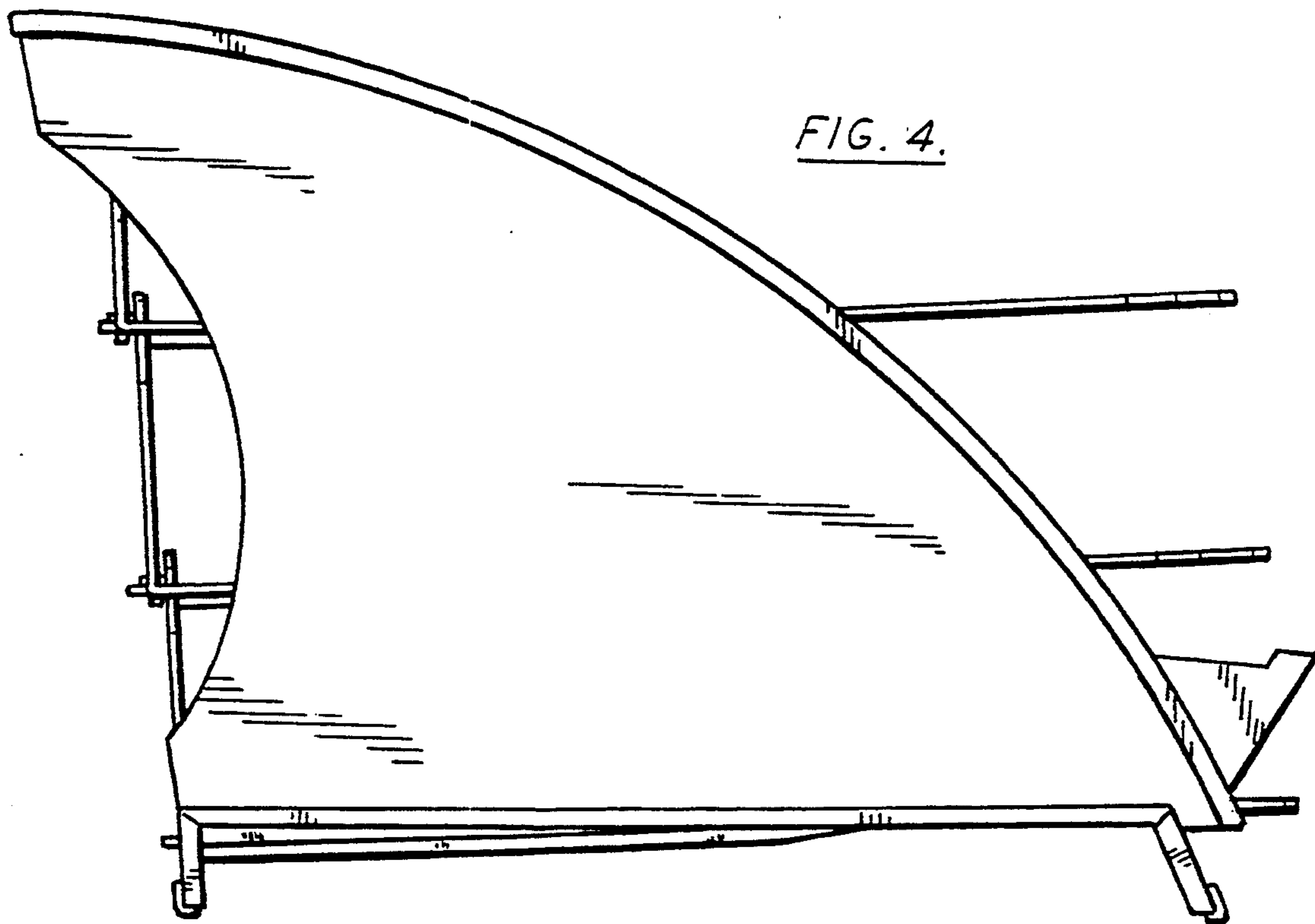
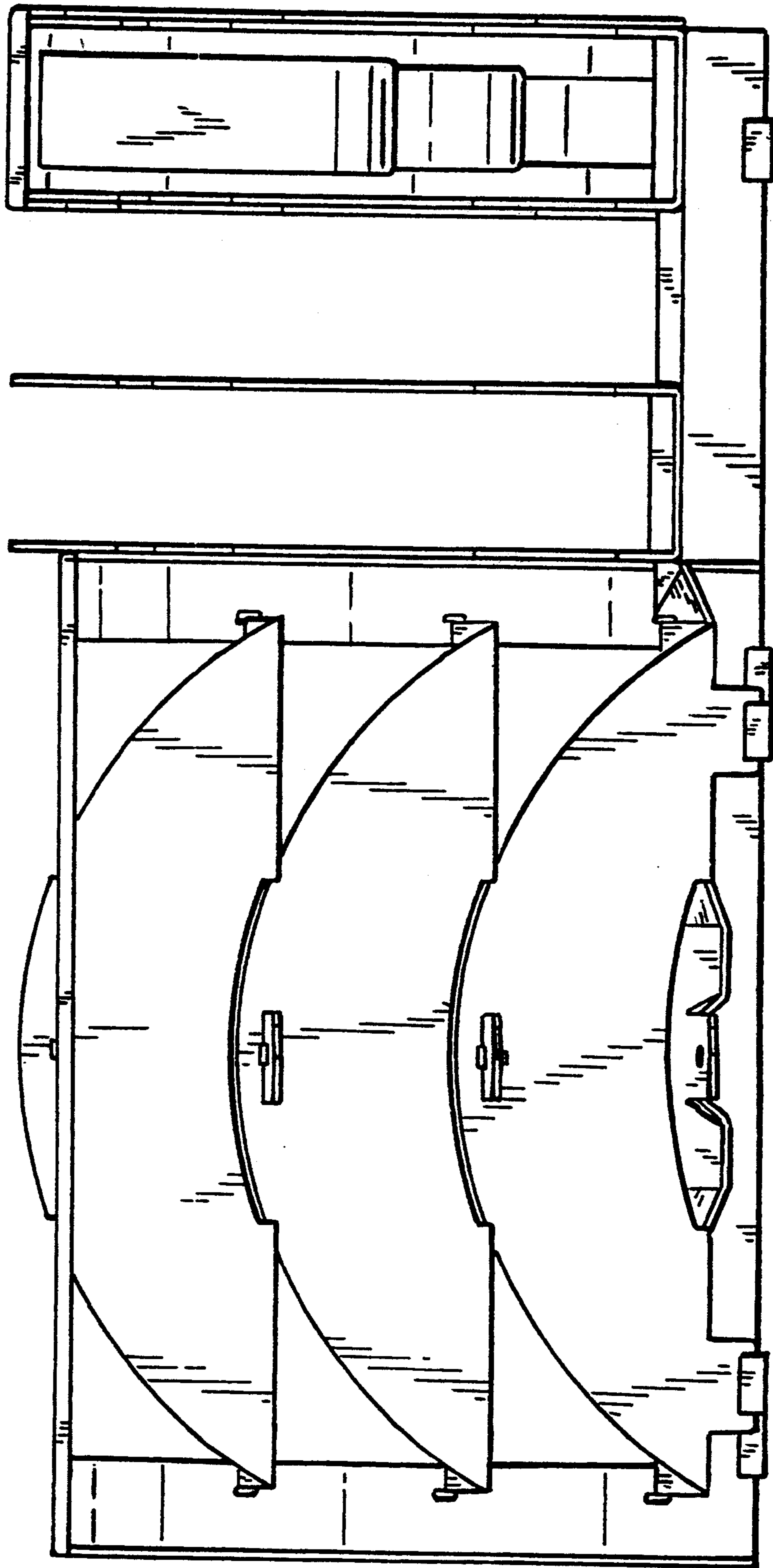


FIG. 6.



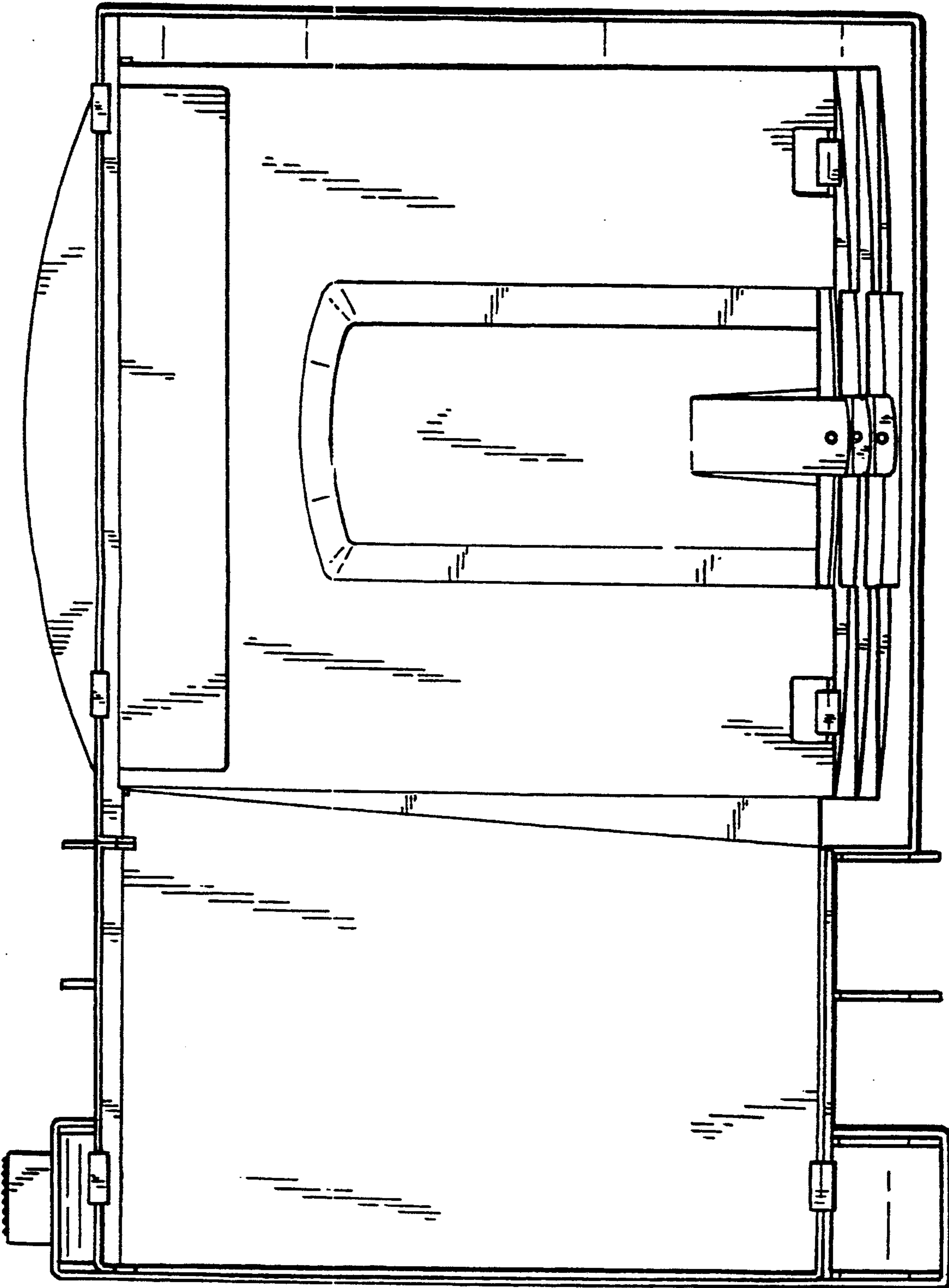


FIG. 7.