



US00D356328S

United States Patent [19]

[11] Patent Number: **Des. 356,328**

Pozzobon

[45] Date of Patent: **** Mar. 14, 1995**

[54] **TREMOLO STABILIZER FOR AN ELECTRIC GUITAR**

4,967,631	11/1990	Rose	84/313
5,083,492	1/1992	Gorr	84/313
5,088,375	2/1992	Saijo	84/313

[76] Inventor: **Tiziano Pozzobon**, 6 Leamington Ave., Toronto, Ontario, Canada, M8Z 2W4

Primary Examiner—Melvin B. Feifer
Assistant Examiner—Adir Aronovich
Attorney, Agent, or Firm—Terry M. Gernstein

[**] Term: **14 Years**

[57] **CLAIM**

[21] Appl. No.: **14,368**

The ornamental design for a tremolo stabilizer for an electric guitar, as shown and described.

[22] Filed: **Oct. 20, 1993**

[52] U.S. Cl. **D17/21**

DESCRIPTION

[58] Field of Search D17/20, 21; 84/313, 84/453, 298, 299

FIG. 1 is a front, top and side perspective view of the tremblocker stabilizer showing my new design; FIG. 2 is a front elevational view thereof, the rear being a mirror image of the front shown in FIG. 2; FIG. 3 is a side elevational view thereof; FIG. 4 is a side elevational view opposite of that shown in FIG. 3; FIG. 5 is a top plan view thereof; and, FIG. 6 is a bottom plan view thereof.

[56] **References Cited**

U.S. PATENT DOCUMENTS

D. 212,780	11/1968	McCarty et al.	D17/21
D. 269,440	6/1983	Fender	D17/21
4,549,461	10/1985	Rose	84/313
4,681,011	7/1987	Hoshino	84/313

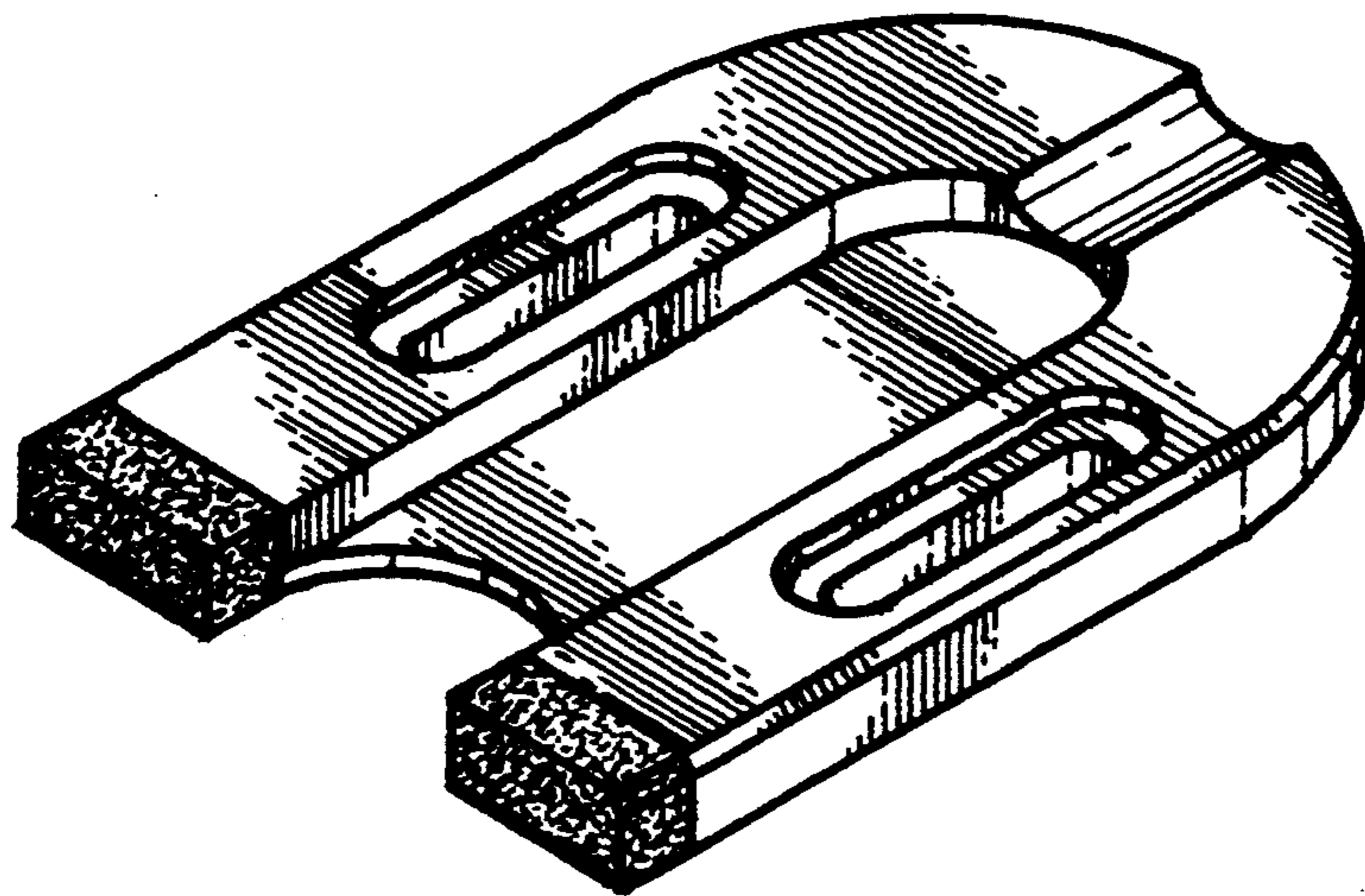


FIG. 1

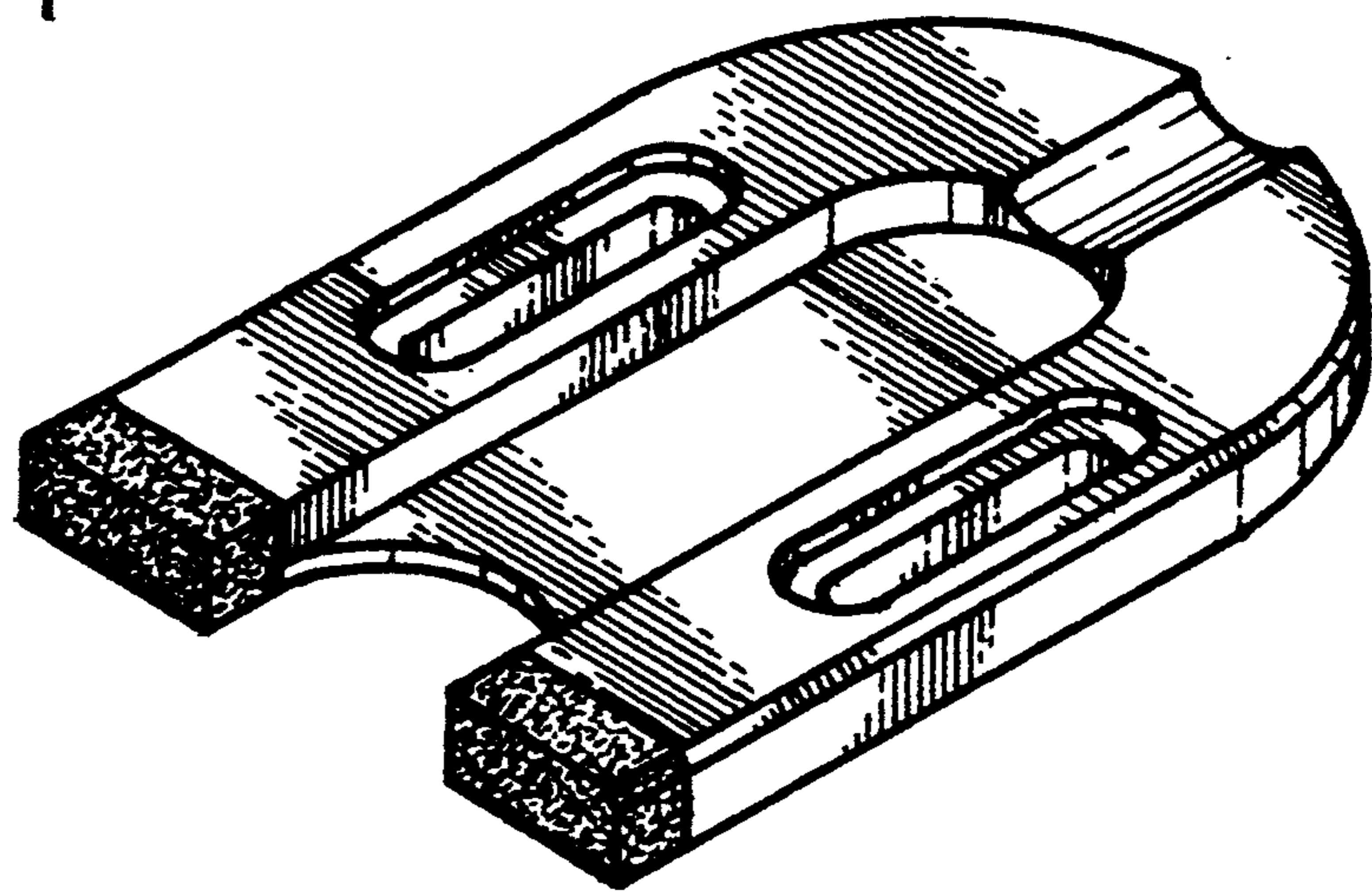




FIG. 2



FIG. 3



FIG. 4

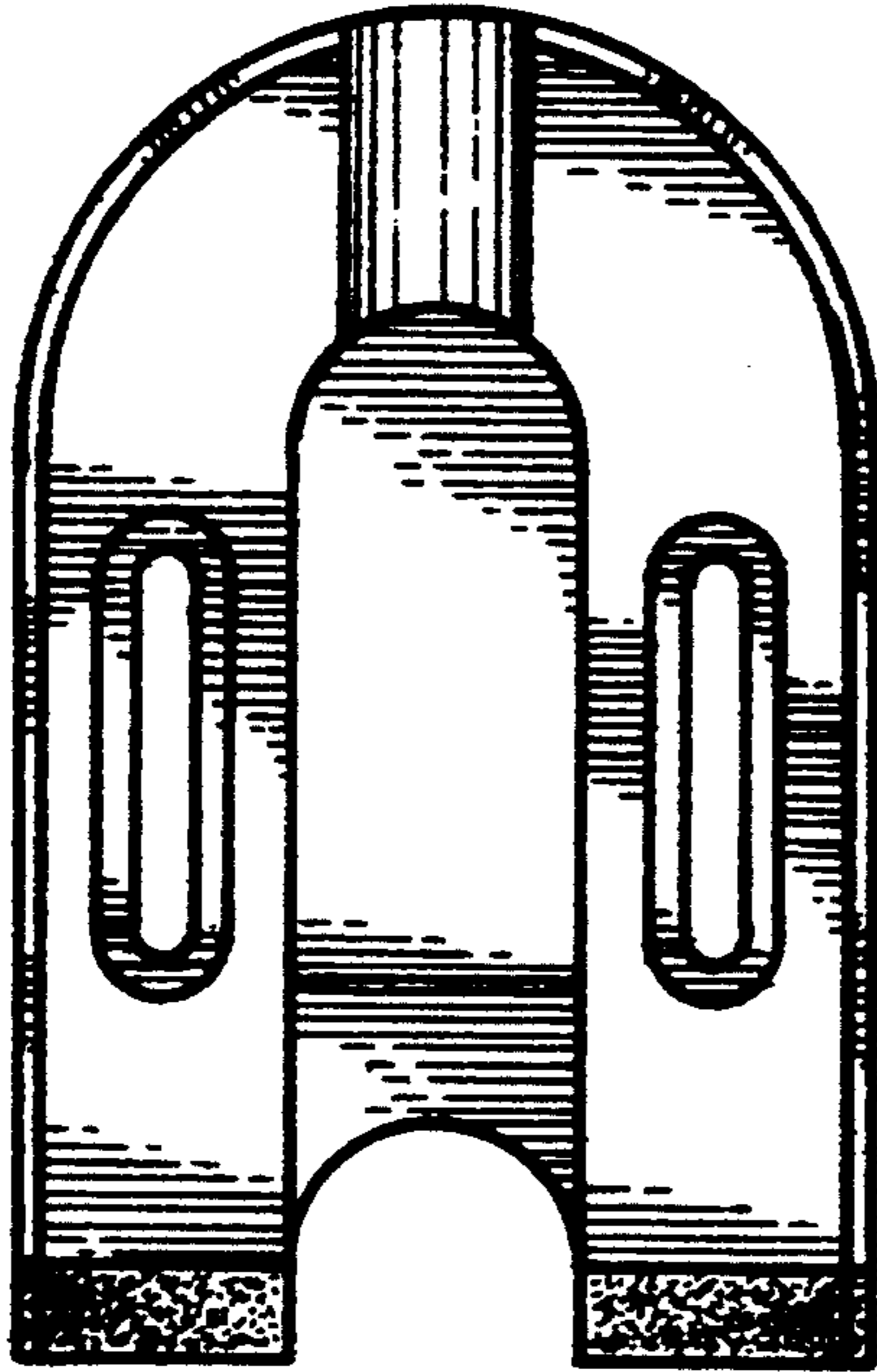


FIG. 5

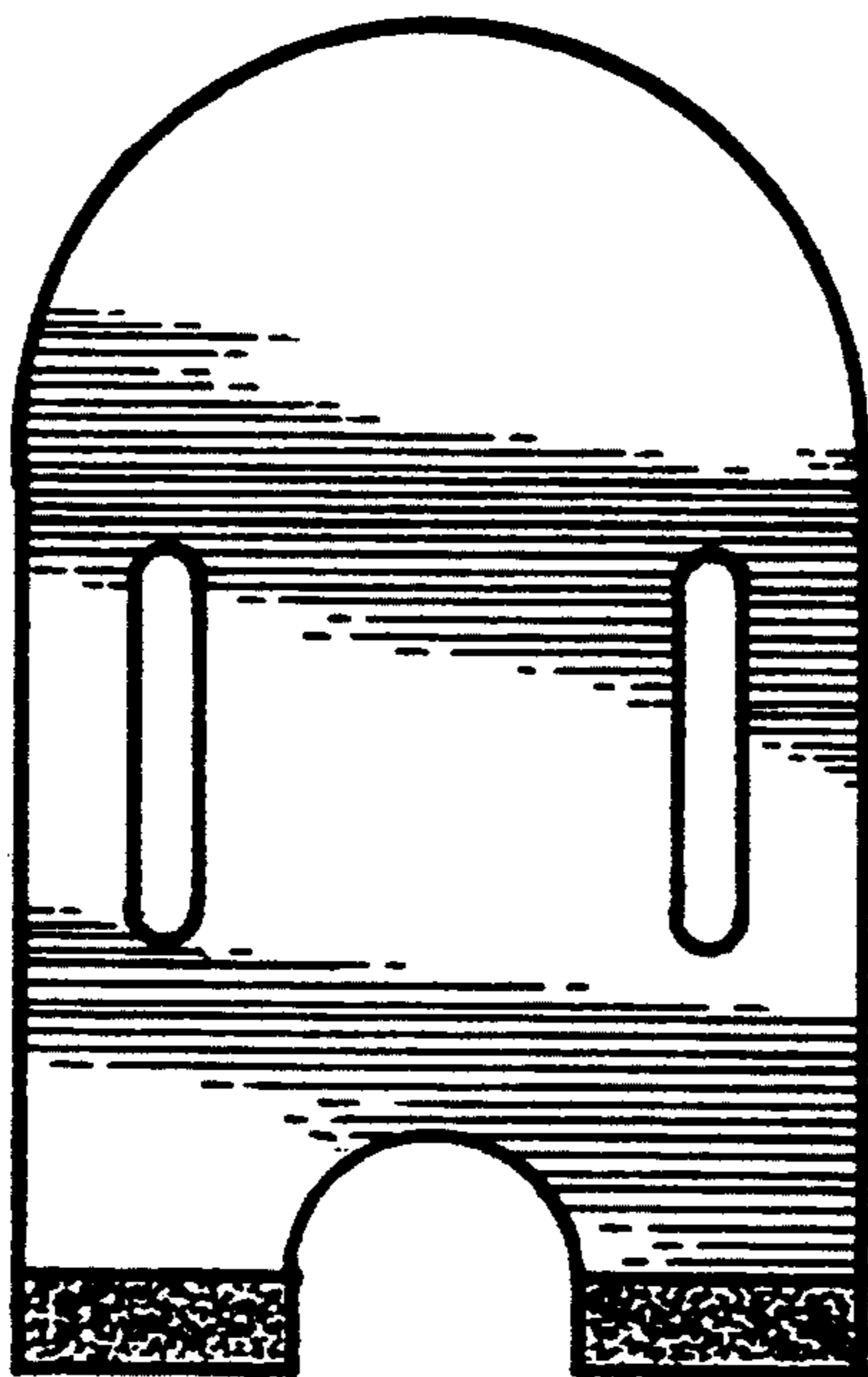


FIG. 6