



US00D356326S

United States Patent [19]
Miyashita

[11] **Patent Number: Des. 356,326**
[45] **Date of Patent: ** Mar. 14, 1995**

[54] **VIDEO CAMERA COMBINED WITH A TAPE RECORDER**

[75] Inventor: **Shin Miyashita, Tokyo, Japan**
[73] Assignee: **Sony Corporation, Tokyo, Japan**
[**] Term: **14 Years**
[21] Appl. No.: **14,439**
[22] Filed: **Oct. 21, 1993**

[30] **Foreign Application Priority Data**

May 13, 1993 [JP] Japan 5-13925
[52] U.S. Cl. **D16/202**
[58] Field of Search **D16/200-205;**
352/34, 242; 354/82, 288; 348/373-376;
358/906

[56] **References Cited**

U.S. PATENT DOCUMENTS

D. 268,676 4/1983 Ohya D16/202
D. 296,551 7/1988 Mizogui D16/202
D. 305,903 2/1990 Sumita D16/202
D. 327,286 2/1992 Fukutomi D16/202

OTHER PUBLICATIONS

Video Review, Aug. 1989, p. 28 (JVC's video camera).
Video Review, Sep. 1990, p. 100 (Panasonic's PV 10).

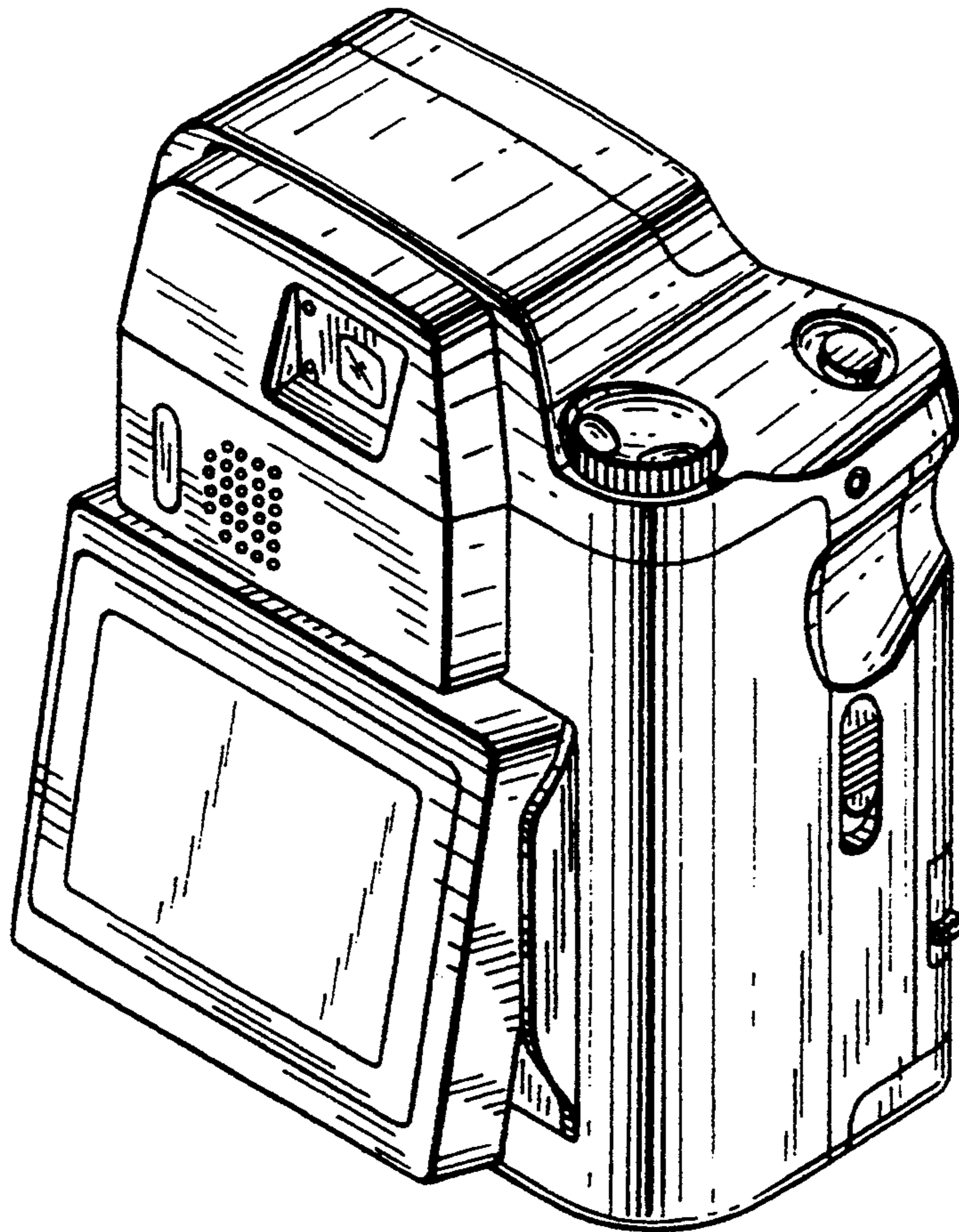
Primary Examiner—Bernard Ansher
Assistant Examiner—Adir Aronovich
Attorney, Agent, or Firm—Jay H. Maioli

[57] **CLAIM**

The ornamental design for a video camera combined with a tape recorder, shown and described.

DESCRIPTION

FIG. 1 is a top, front and right-side perspective view of a video camera combined with a tape recorder, showing my new design;
FIG. 2 is a top, rear and left-side perspective view thereof, shown in the opened position;
FIG. 3 is a top, rear and left-side perspective view thereof, shown in the closed position;
FIG. 4 is a front elevational view thereof;
FIG. 5 is a rear elevational view thereof;
FIG. 6 is a left-side elevational view thereof;
FIG. 7 is a right-side elevational view thereof;
FIG. 8 is a top plan view thereof; and,
FIG. 9 is a bottom plan view thereof.



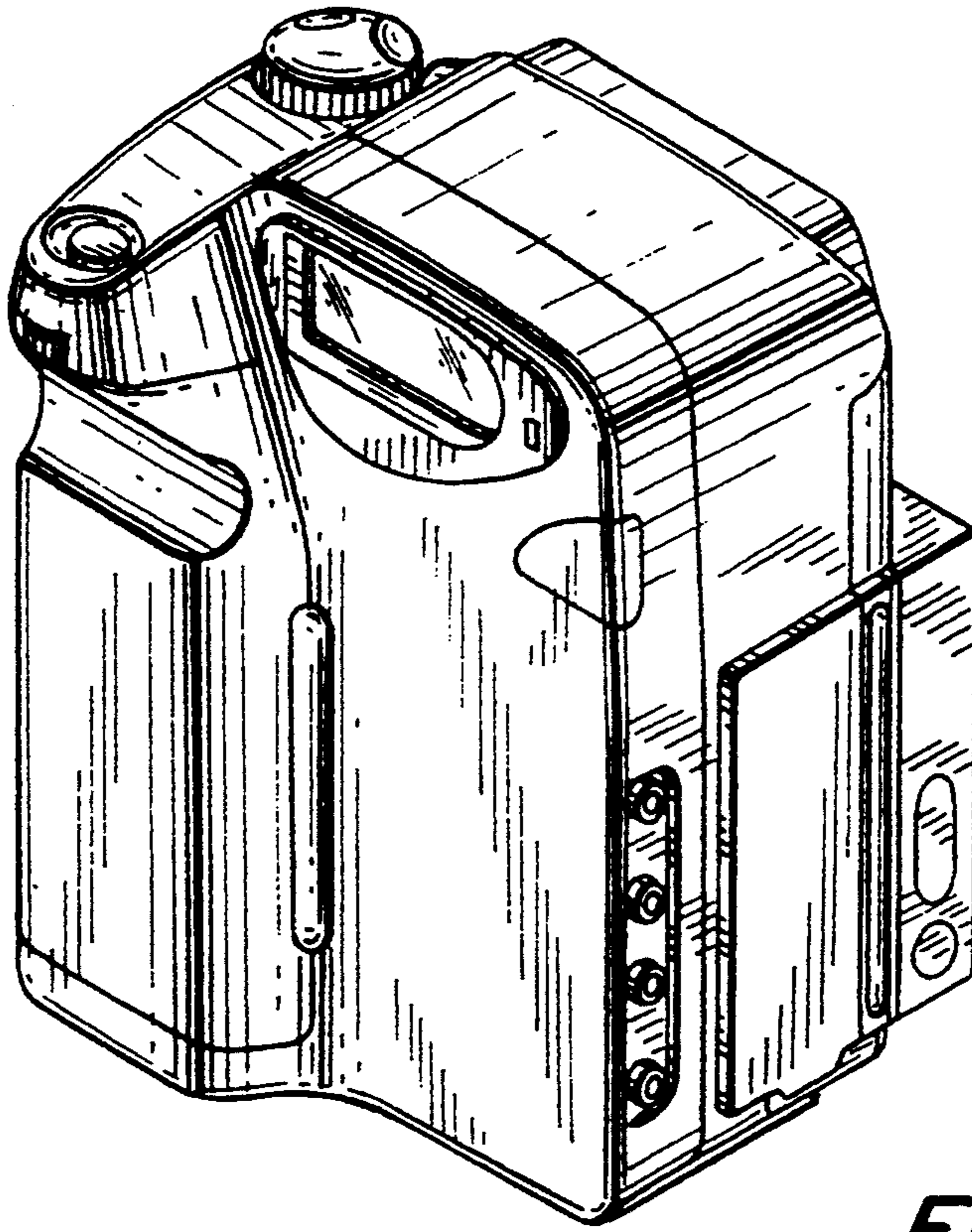


FIG. 1

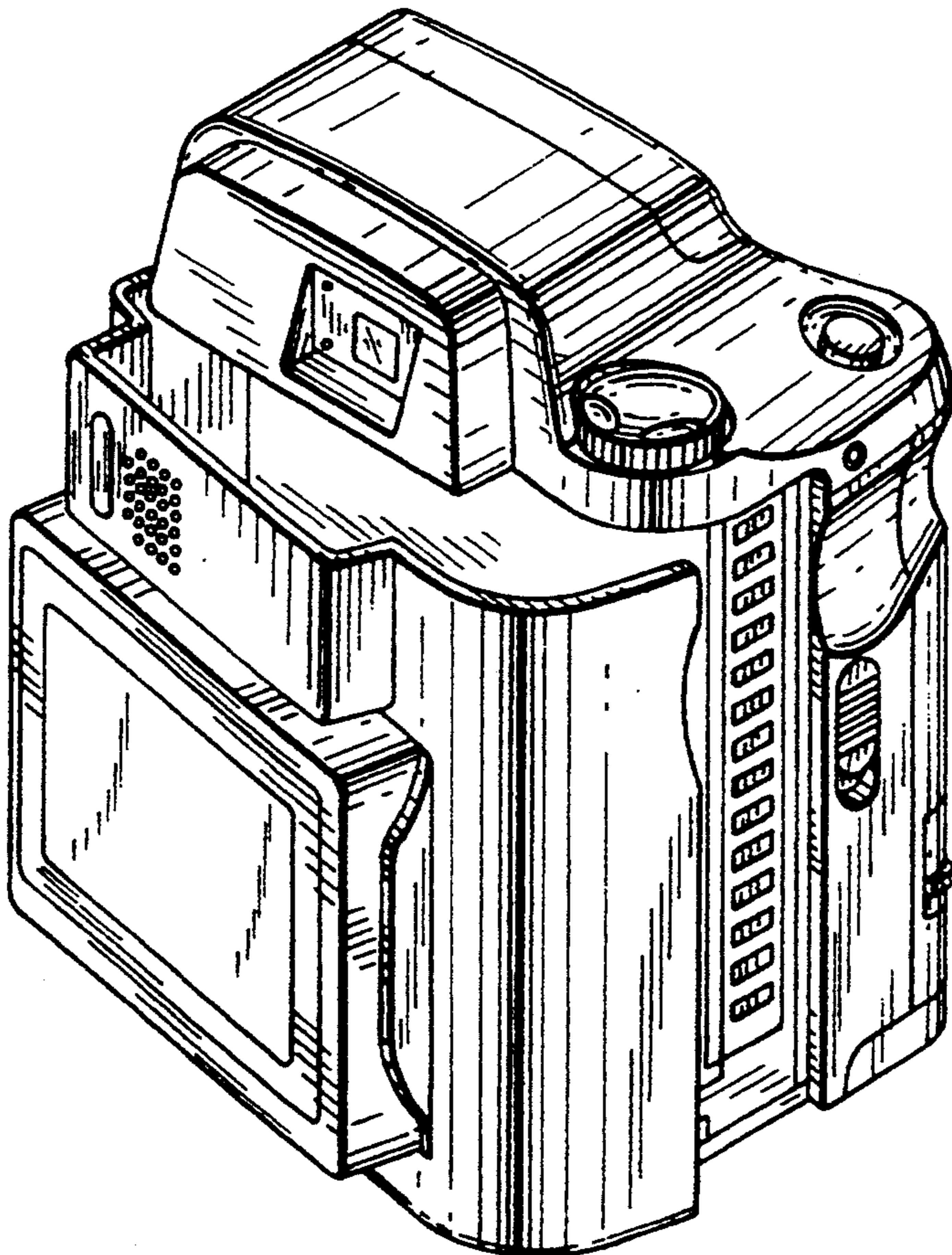


FIG. 2

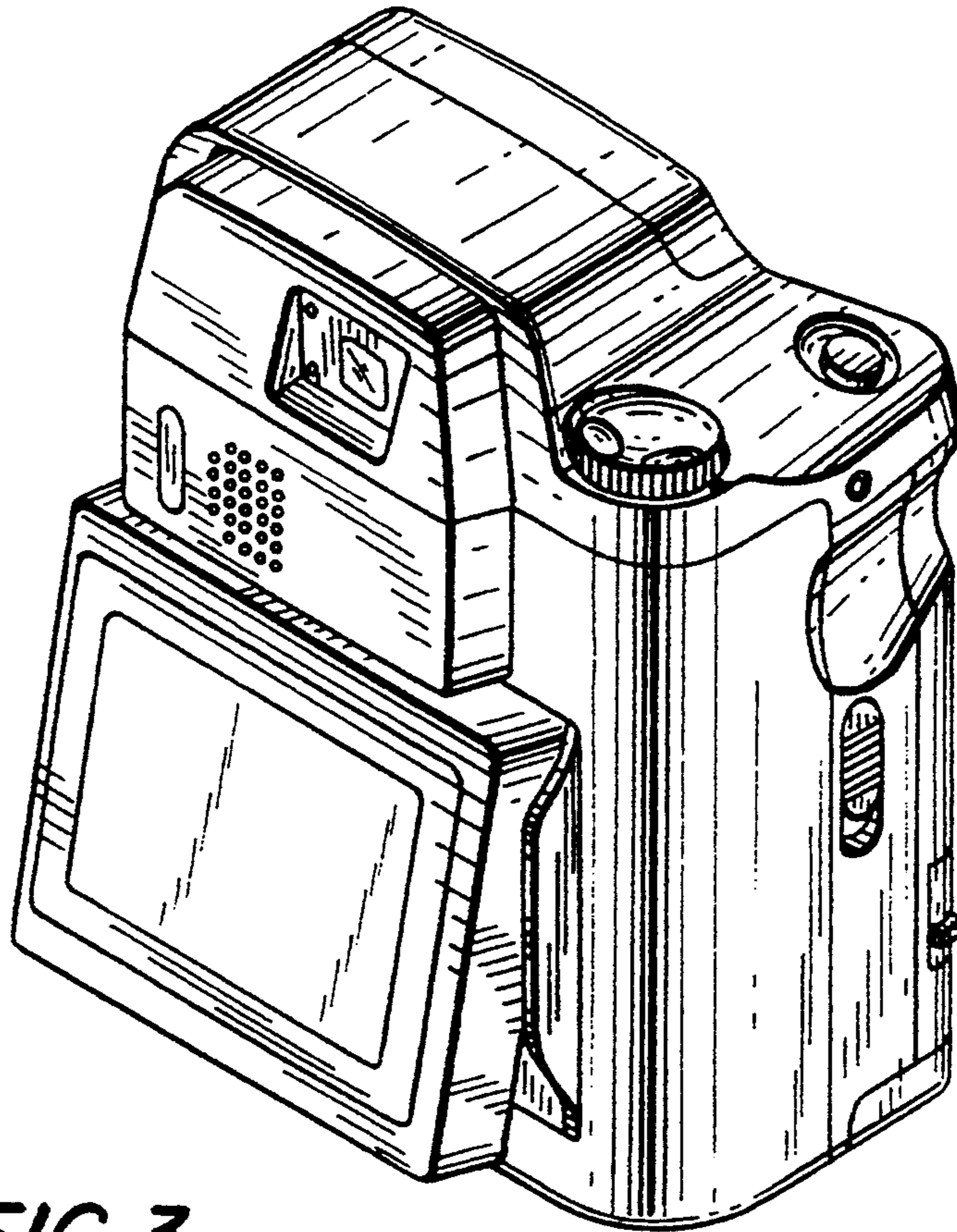


FIG. 3

FIG. 4

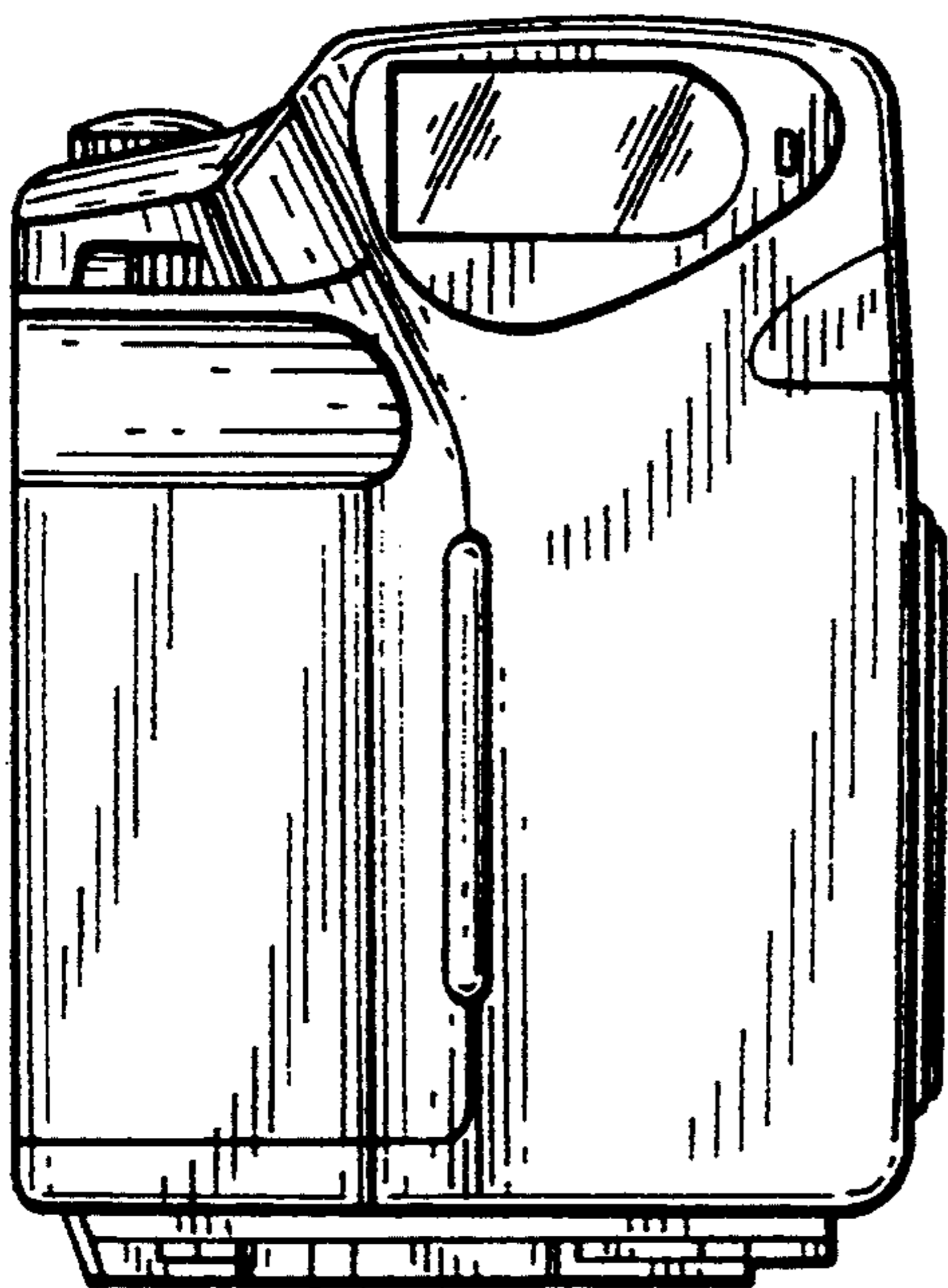
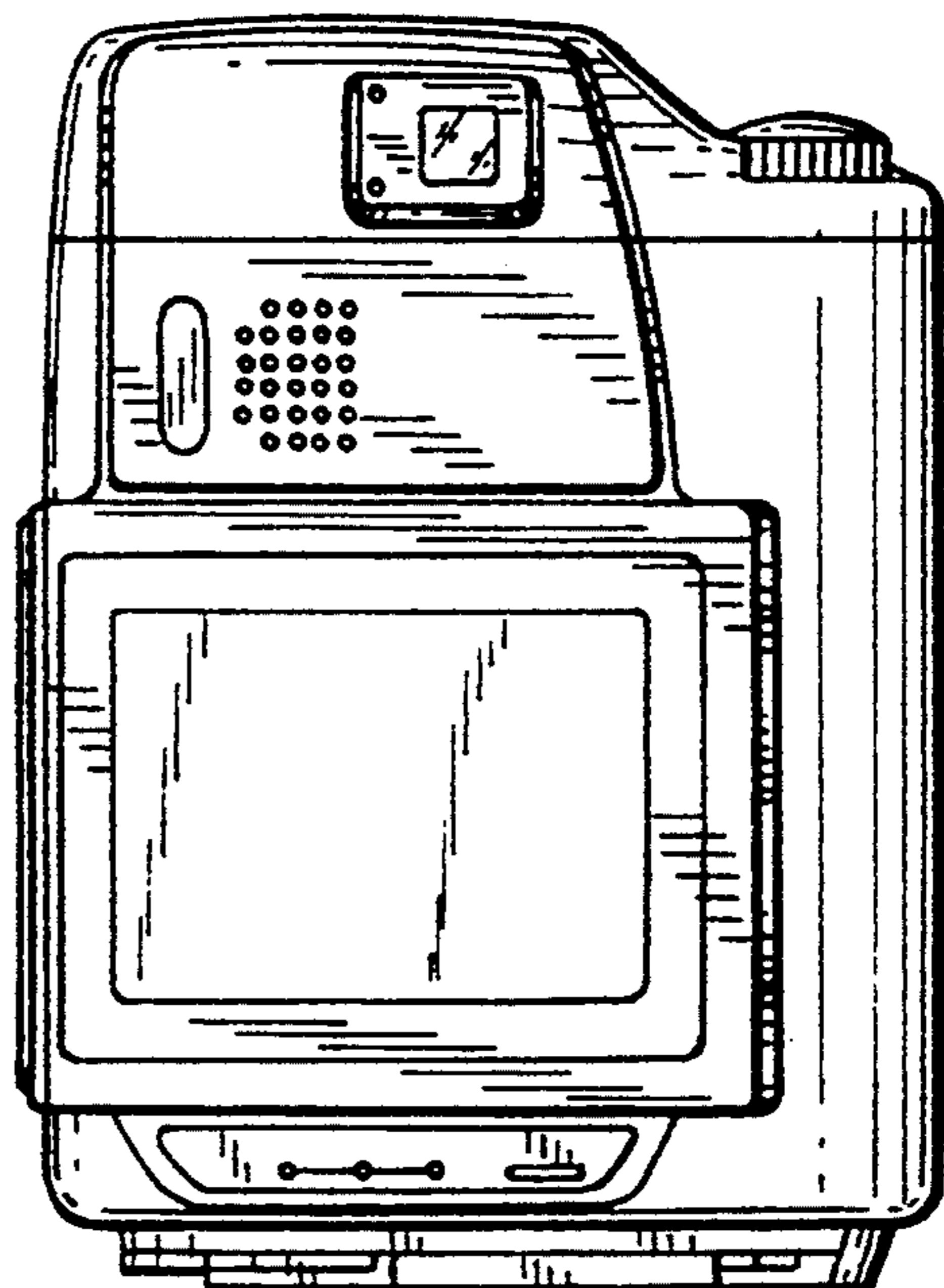


FIG. 5



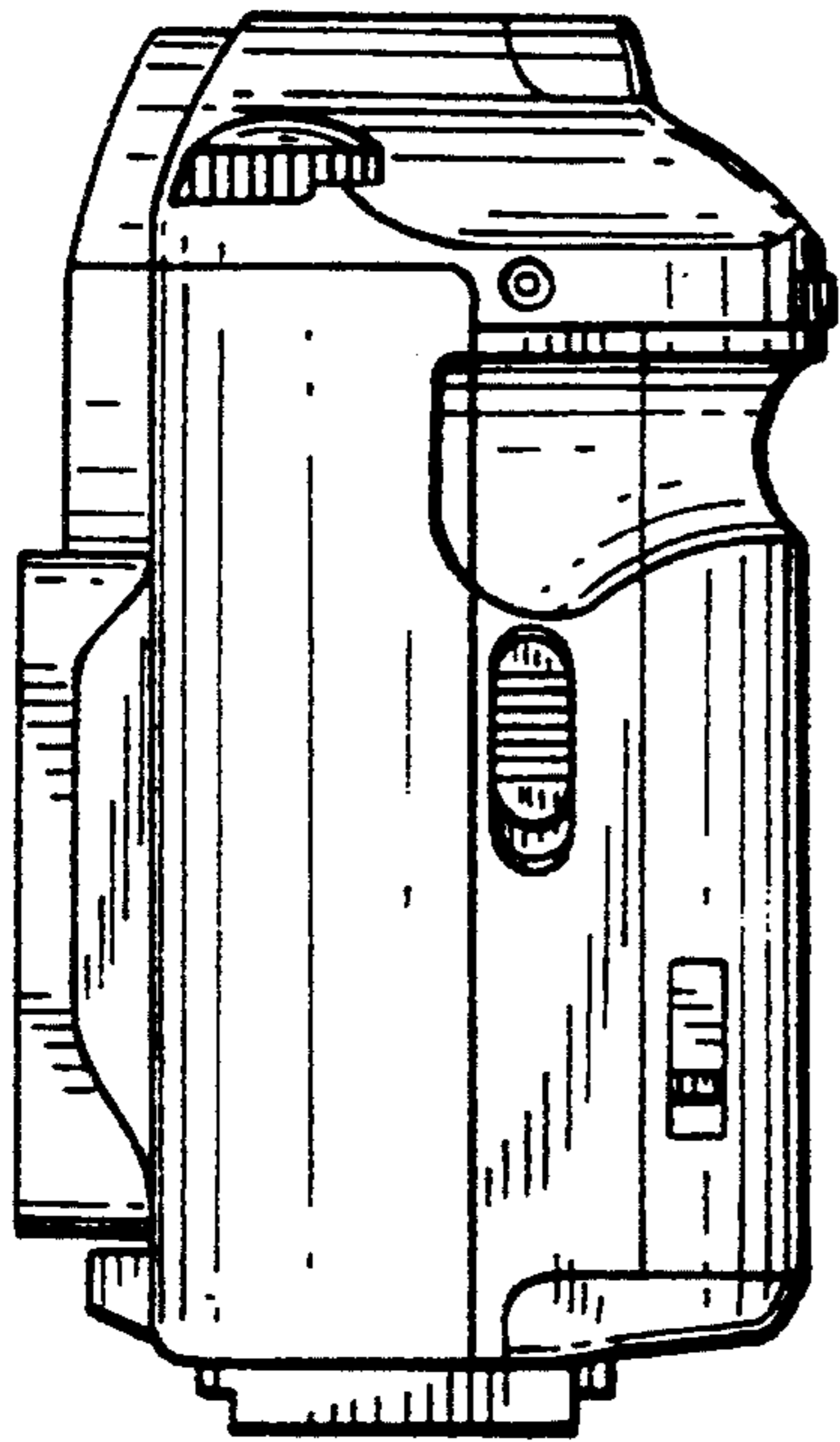


FIG. 6

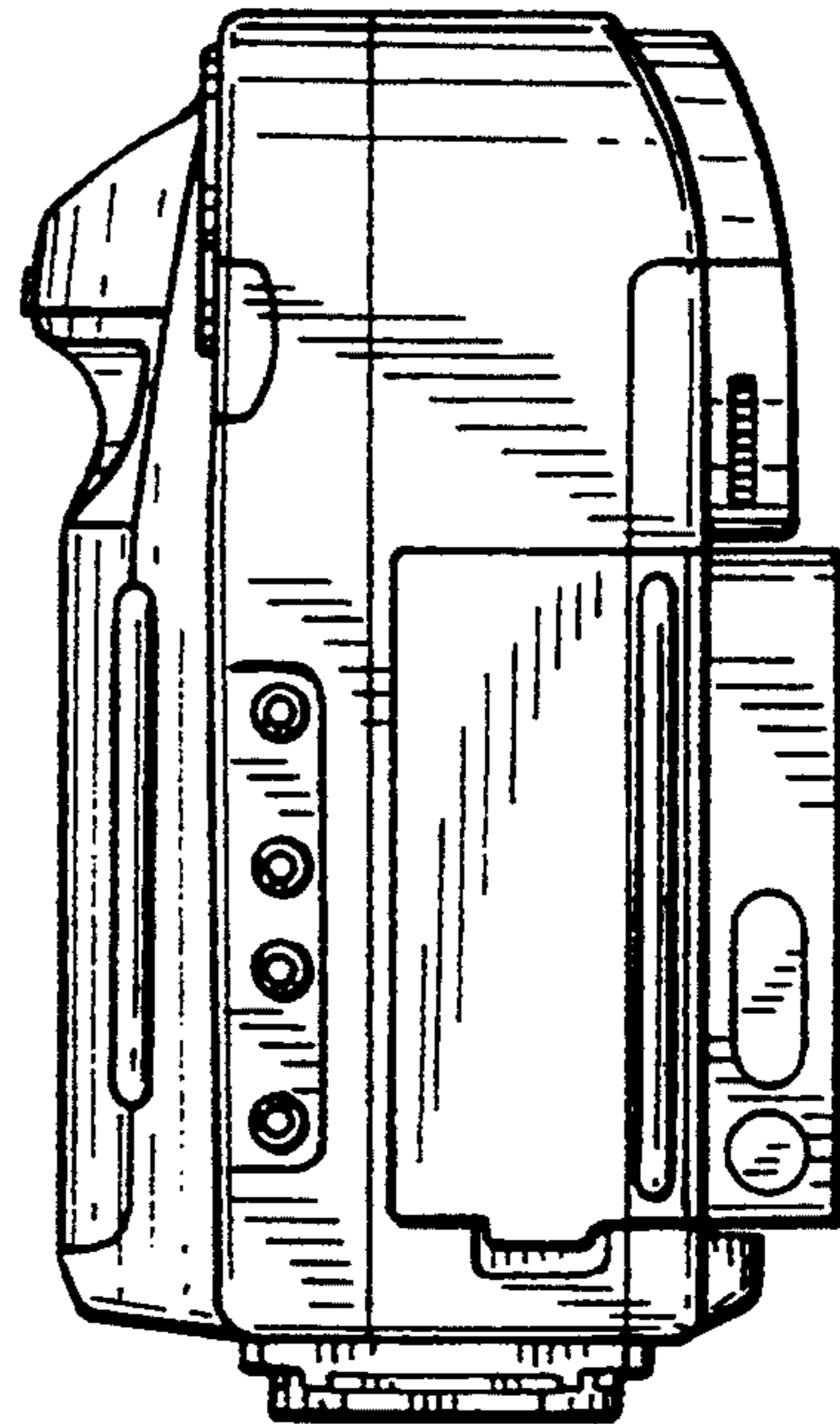


FIG. 7

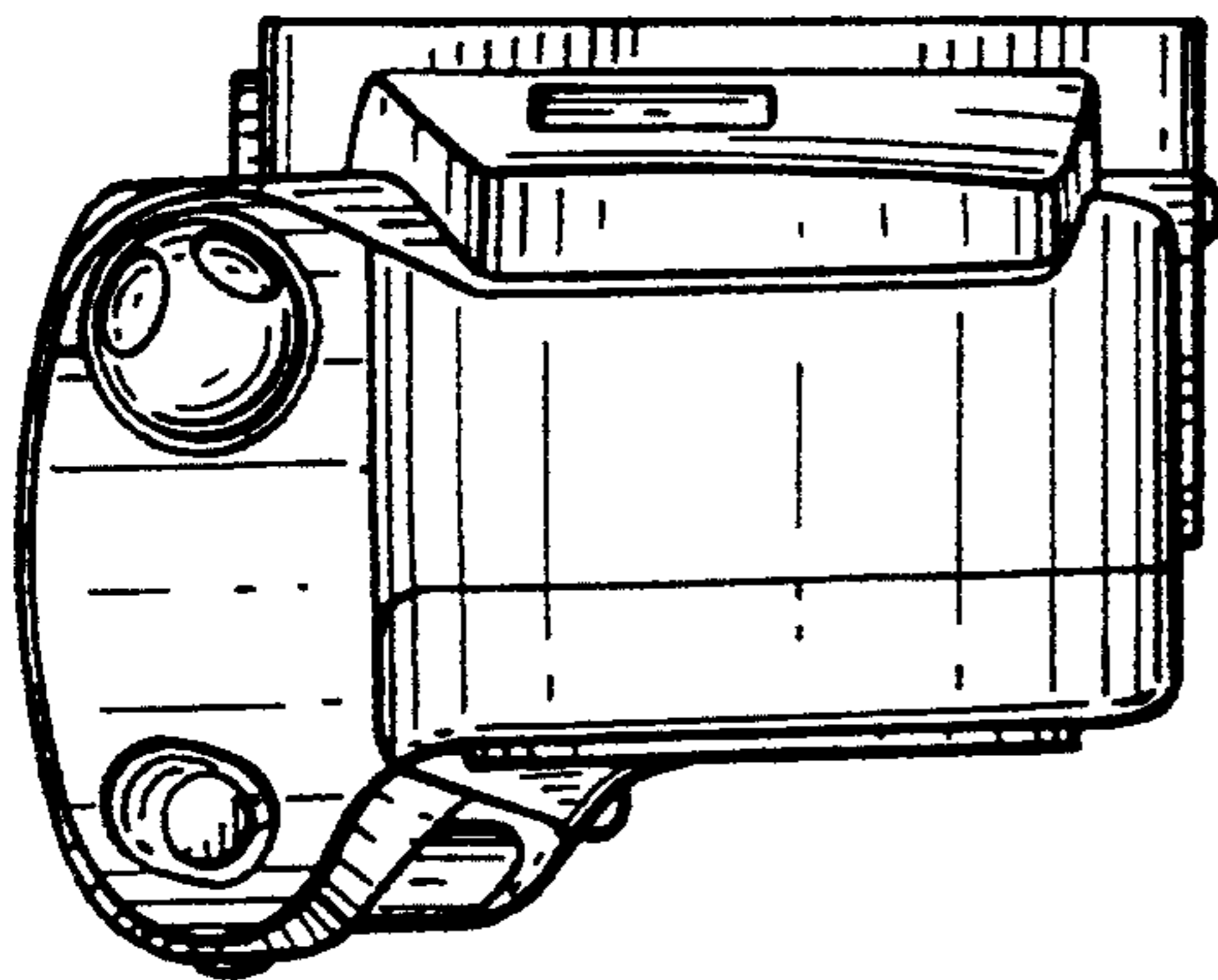


FIG. 8

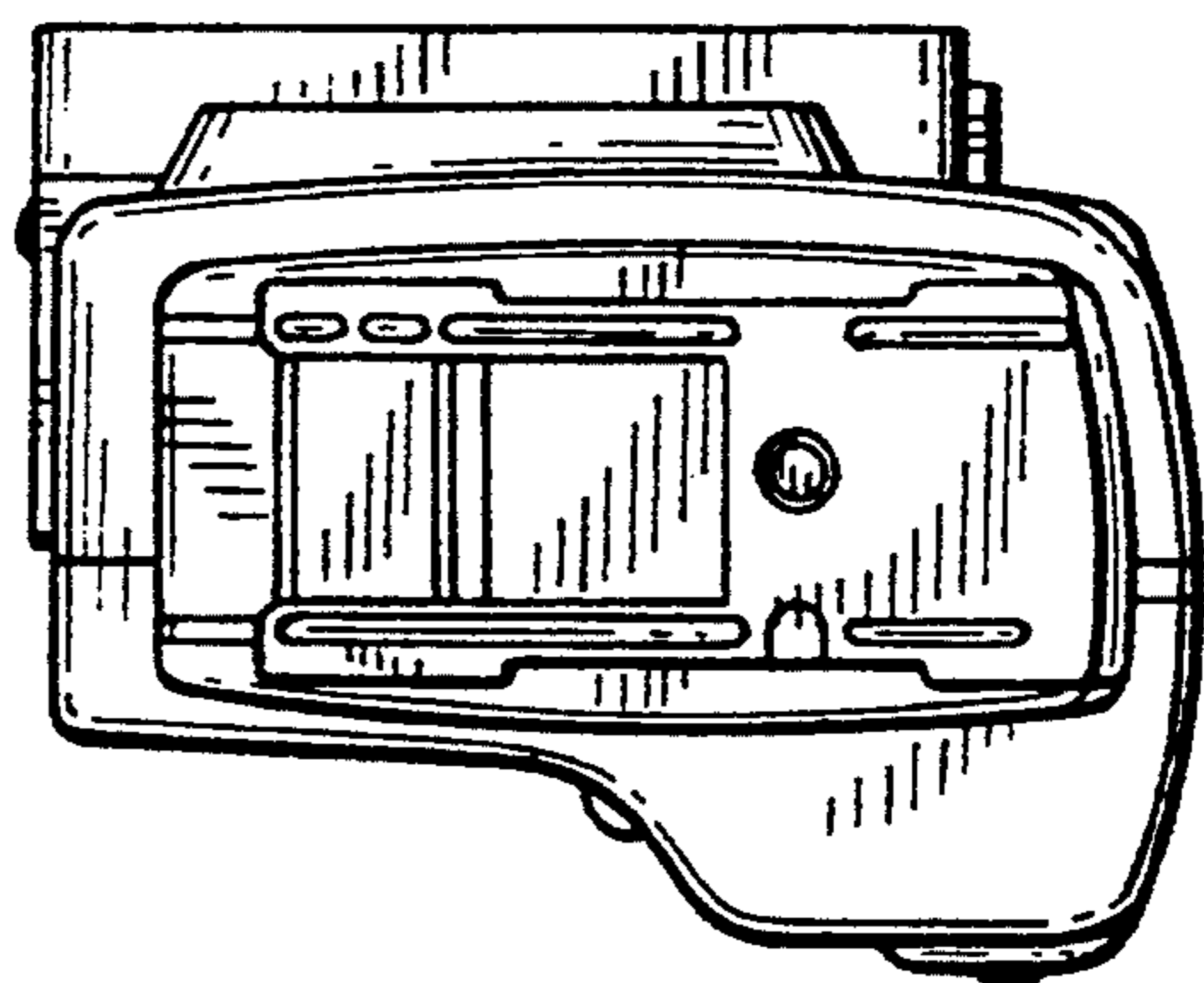


FIG 9