



US00D356322S

United States Patent [19]

[11] Patent Number: **Des. 356,322**

Bollé

[45] Date of Patent: **** Mar. 14, 1995**

[54] SAFETY GLASSES

[75] Inventor: **Maurice Bollé, Oyonnax, France**

[73] Assignee: **Etablissements Bolle S.N.C., Oyonnax, France**

[**] Term: **14 Years**

[21] Appl. No.: **15,512**

[22] Filed: **Nov. 18, 1993**

[52] U.S. Cl. **D16/314**

[58] Field of Search **D16/102-104, D16/107, 111-123, 127; D29/8, 9; 351/41, 44, 51, 57, 110, 113-114, 118, 154, 172; 2/10, 432, 435-437, 439, 447-449, 452-454**

3,901,589 8/1975 Bienenfeld 2/453

4,405,214 9/1983 Bollé .

4,425,669 1/1984 Grendol et al. .

4,670,914 6/1987 Harris 2/436

4,670,915 6/1987 Evans 2/448

4,850,058 7/1989 Cheng 2/448

4,859,048 8/1989 Jannard .

4,868,930 9/1989 Blackstone 2/449

Primary Examiner—Bernard Ansher
Assistant Examiner—R. Barkai
Attorney, Agent, or Firm—Gregg I. Anderson

[57] CLAIM

The ornamental design for safety glasses, as shown and described.

[56] References Cited

U.S. PATENT DOCUMENTS

D. 289,301 4/1987 Jannard .

D. 293,450 12/1987 Jannard .

D. 310,839 9/1990 Bollé .

D. 314,001 1/1991 Nussbickl D16/102

D. 319,066 8/1991 Bollé .

D. 321,522 11/1991 Bollé .

D. 321,703 11/1991 Grau D16/112

D. 322,975 1/1992 Bollé .

D. 327,283 6/1992 Bollé .

D. 342,958 1/1994 Canavan D16/112

2,274,791 3/1942 Huggins D16/112

2,296,634 9/1942 Fink .

2,617,100 11/1952 Moeller 2/447

3,526,449 9/1970 Bollé .

DESCRIPTION

FIG. 1 is a front perspective view of the ornamental design of the present invention;

FIG. 2 is a rear perspective of the design shown in FIG. 1;

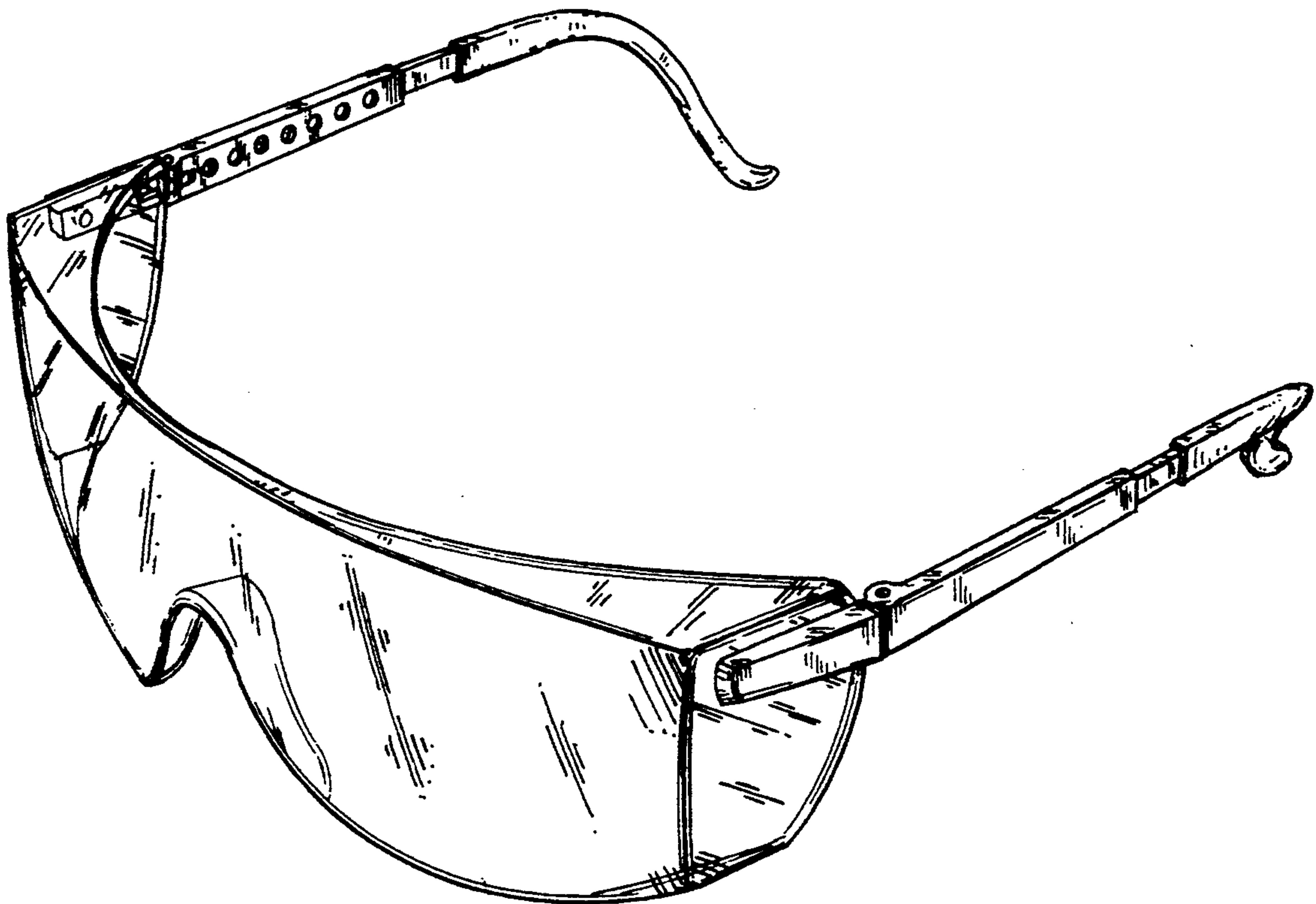
FIG. 3 is a front elevation view of the design shown in FIG. 1;

FIG. 4 is right side elevation view of the design shown in FIG. 1, the left side being a mirror image thereof;

FIG. 5 is a top plan view of the design shown in FIG. 1;

FIG. 6 is a rear elevation view of the design shown in FIG. 1; and,

FIG. 7 is a bottom plan view of the design shown in FIG. 1.



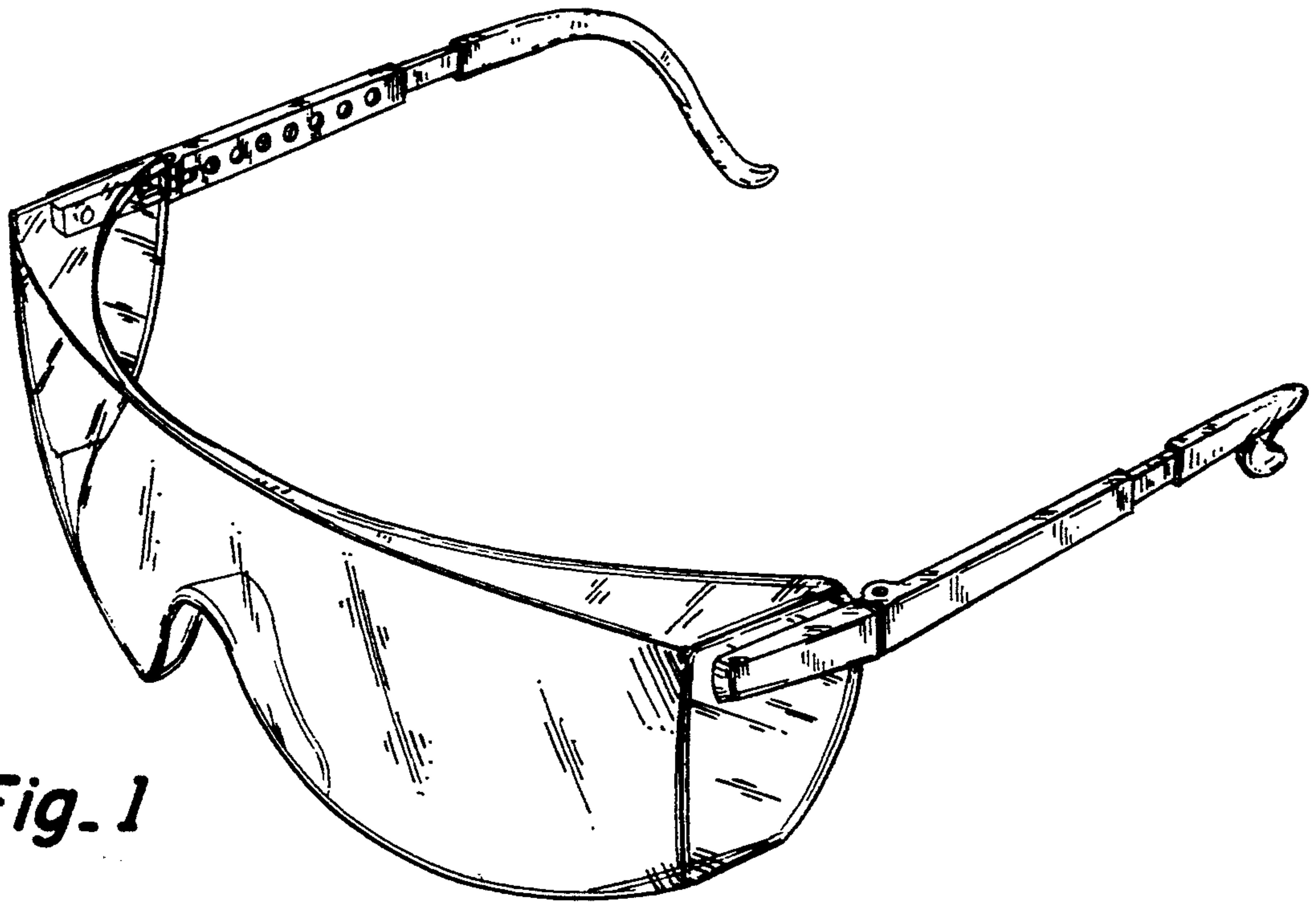


Fig. 1

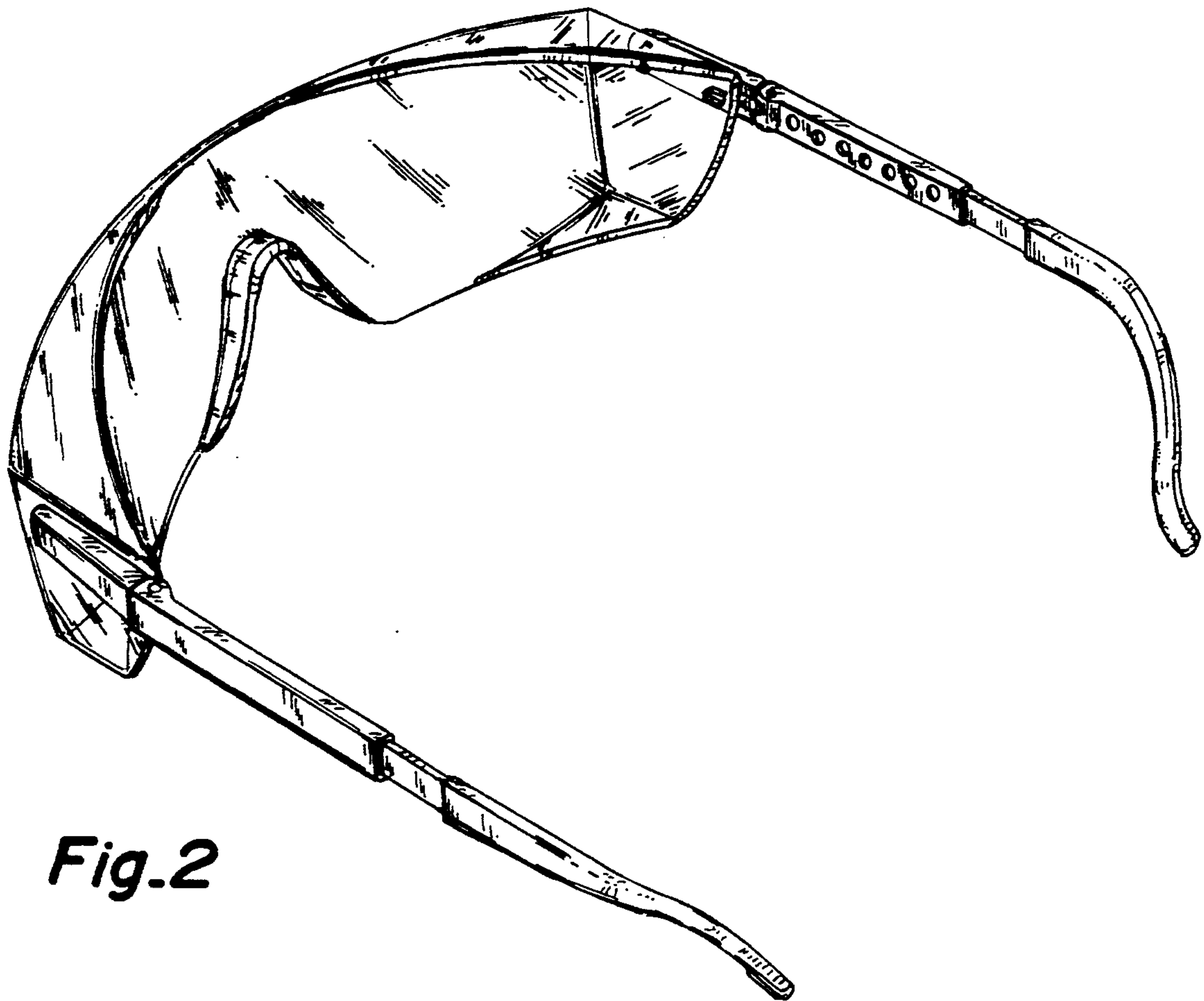


Fig. 2

Fig.3

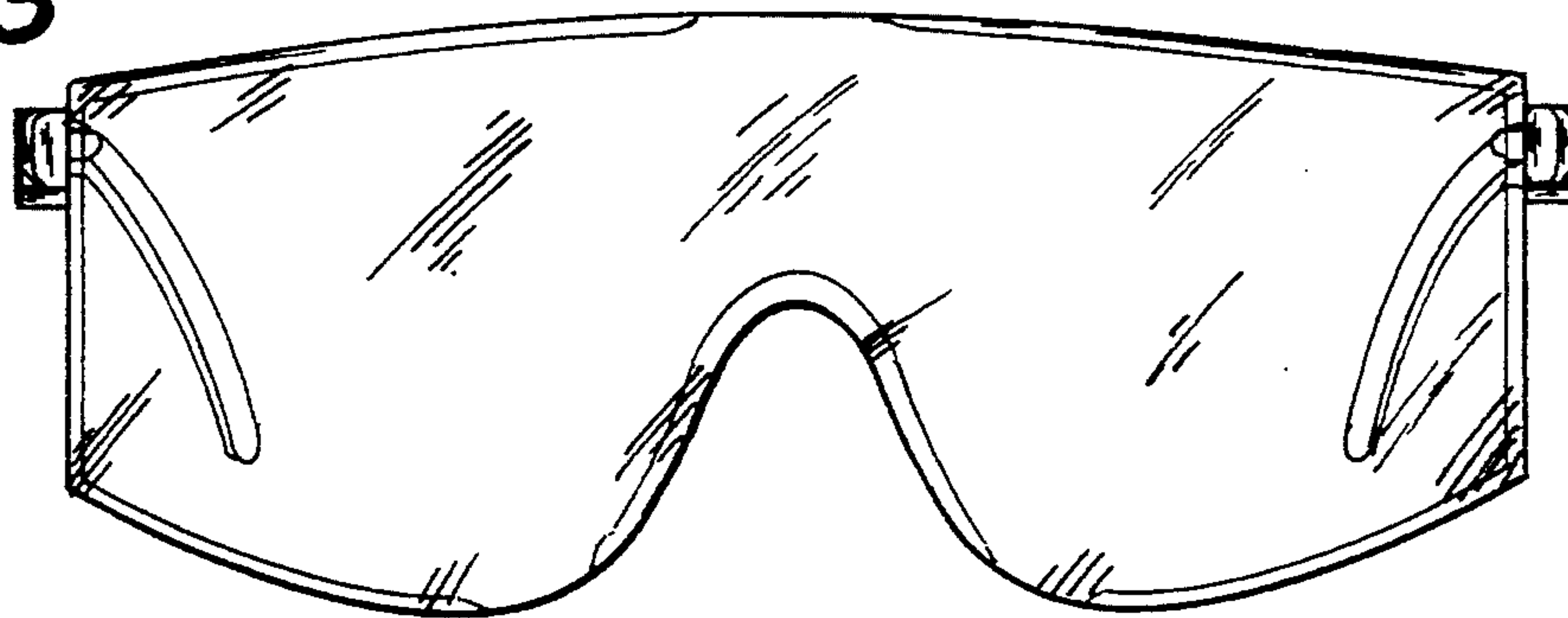


Fig.4

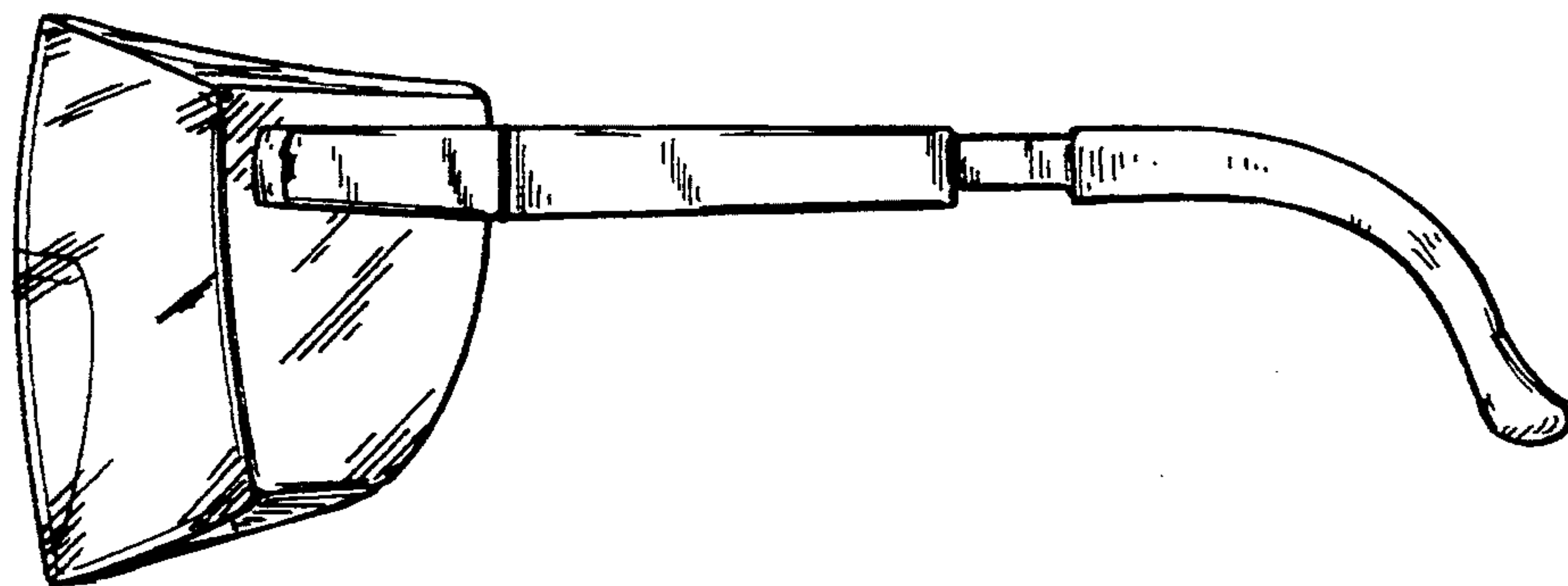
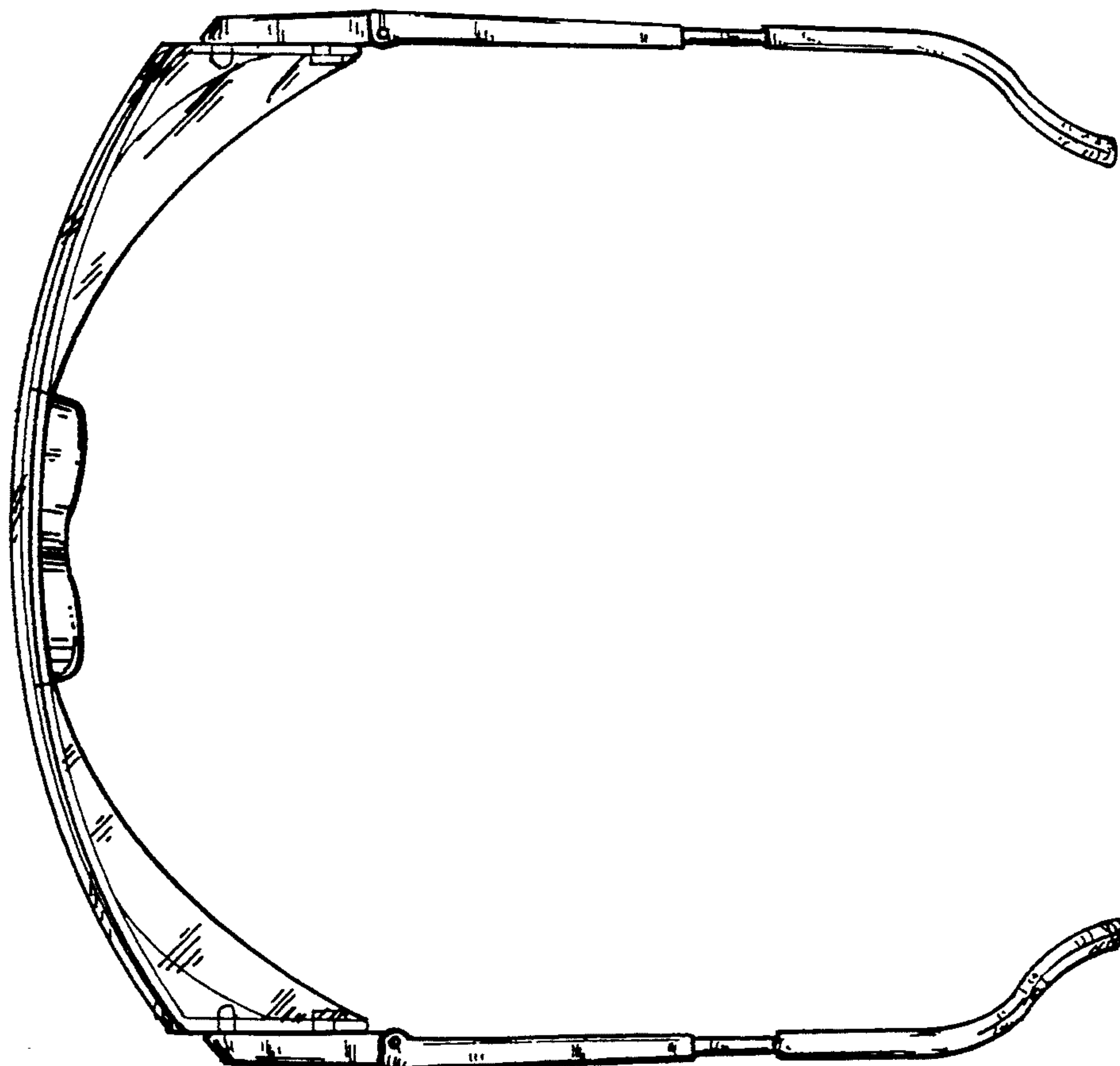


Fig.5



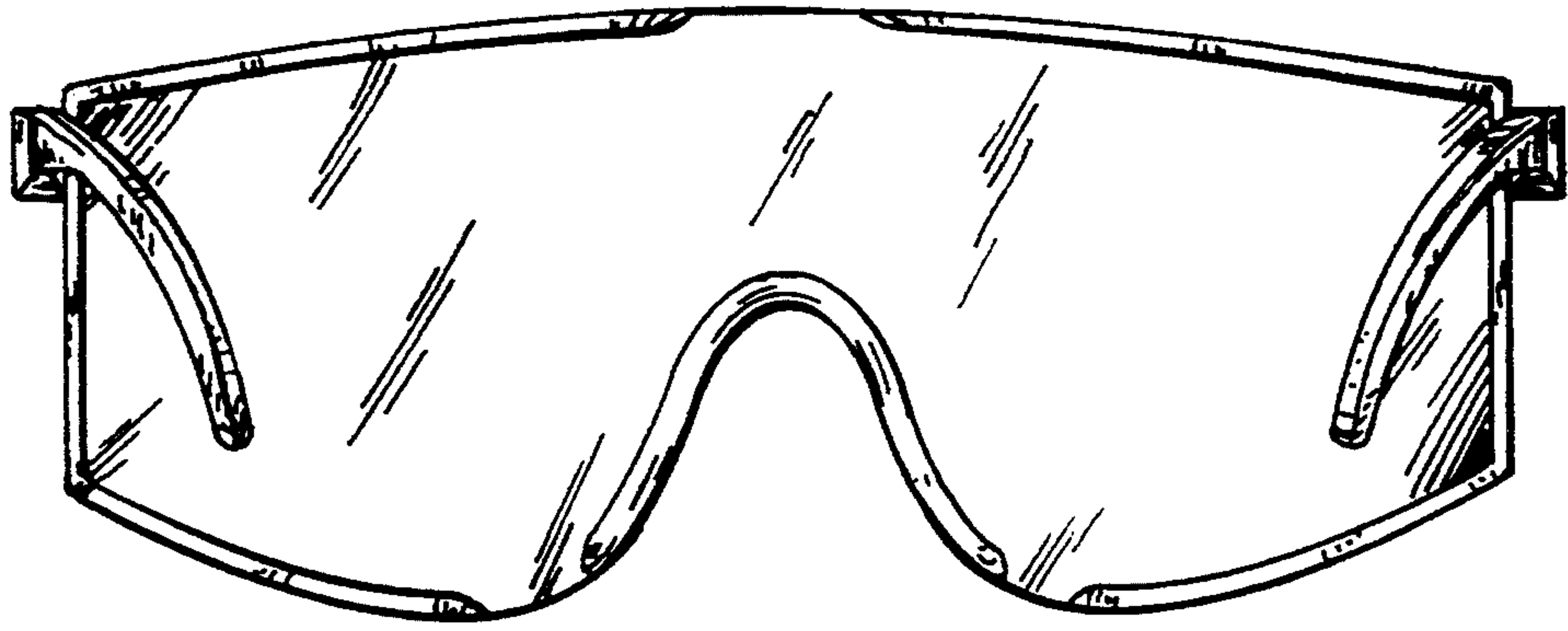


Fig. 6

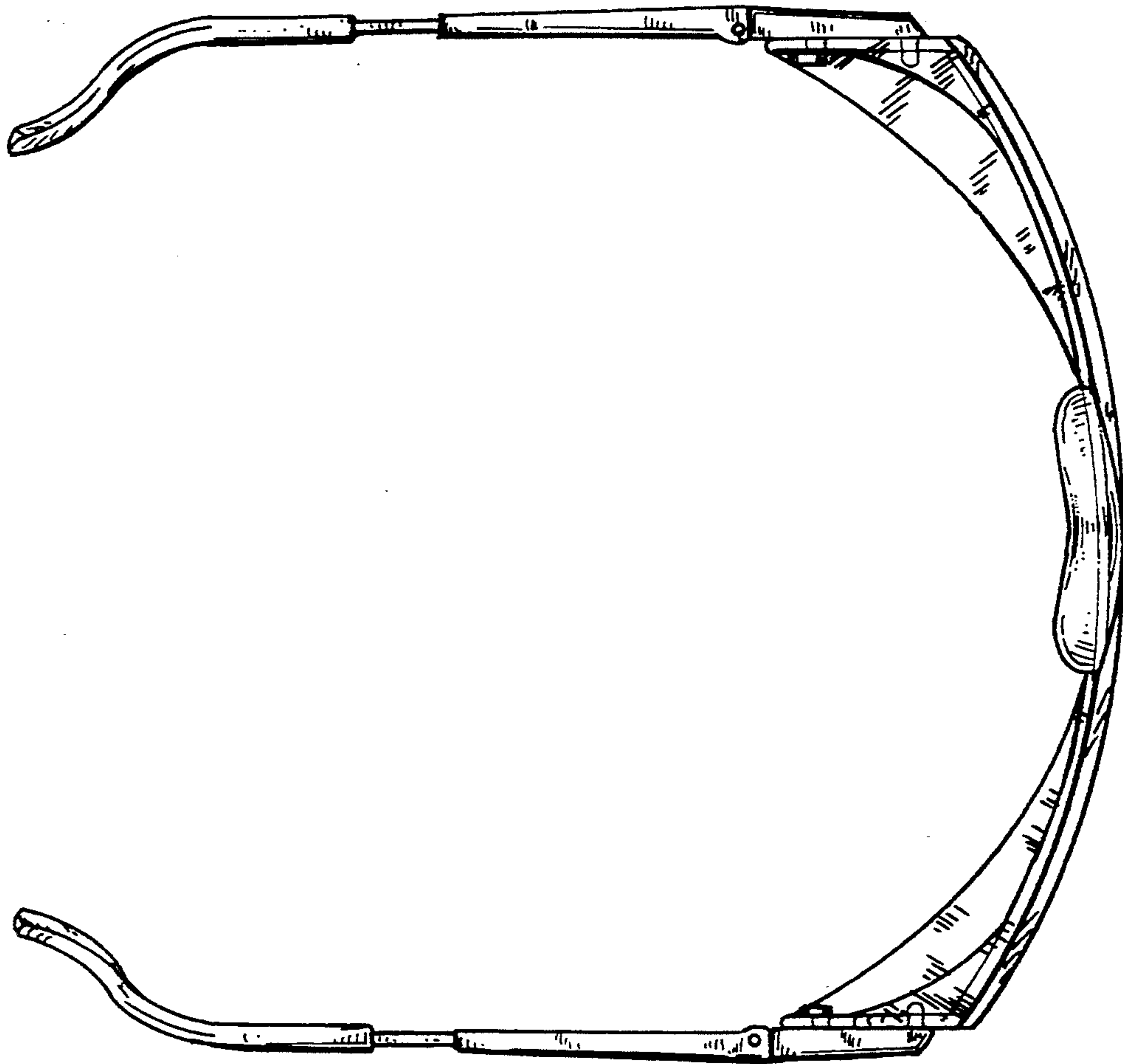


Fig. 7