



US00D356317S

# United States Patent [19]

[11] Patent Number: **Des. 356,317**

Culbertson

[45] Date of Patent: **\*\* Mar. 14, 1995**

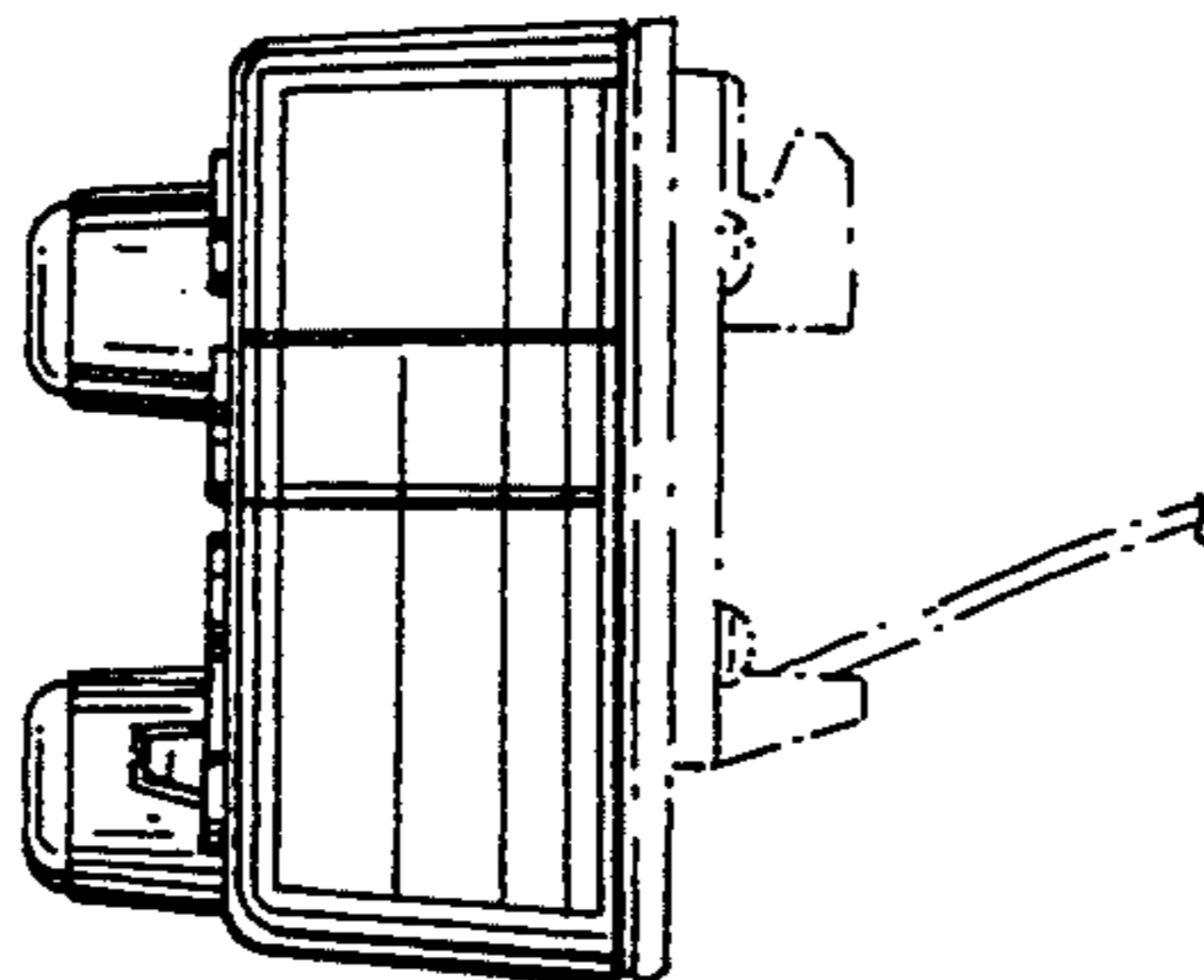
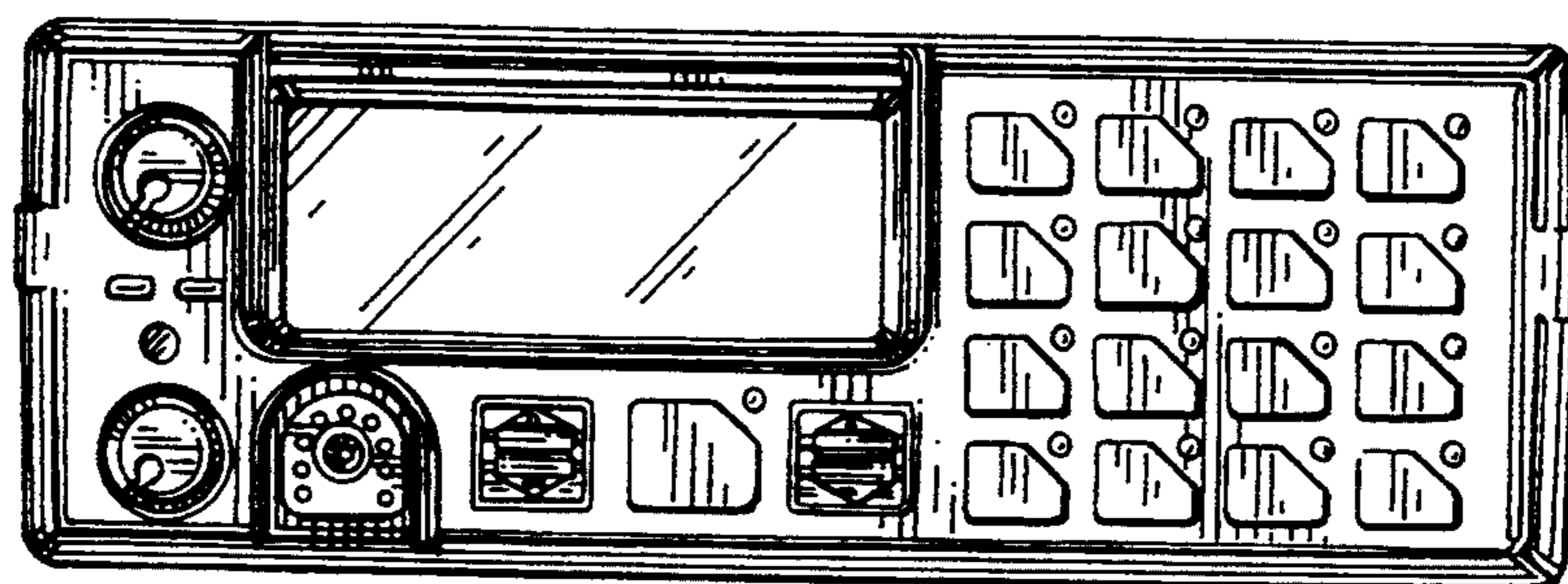
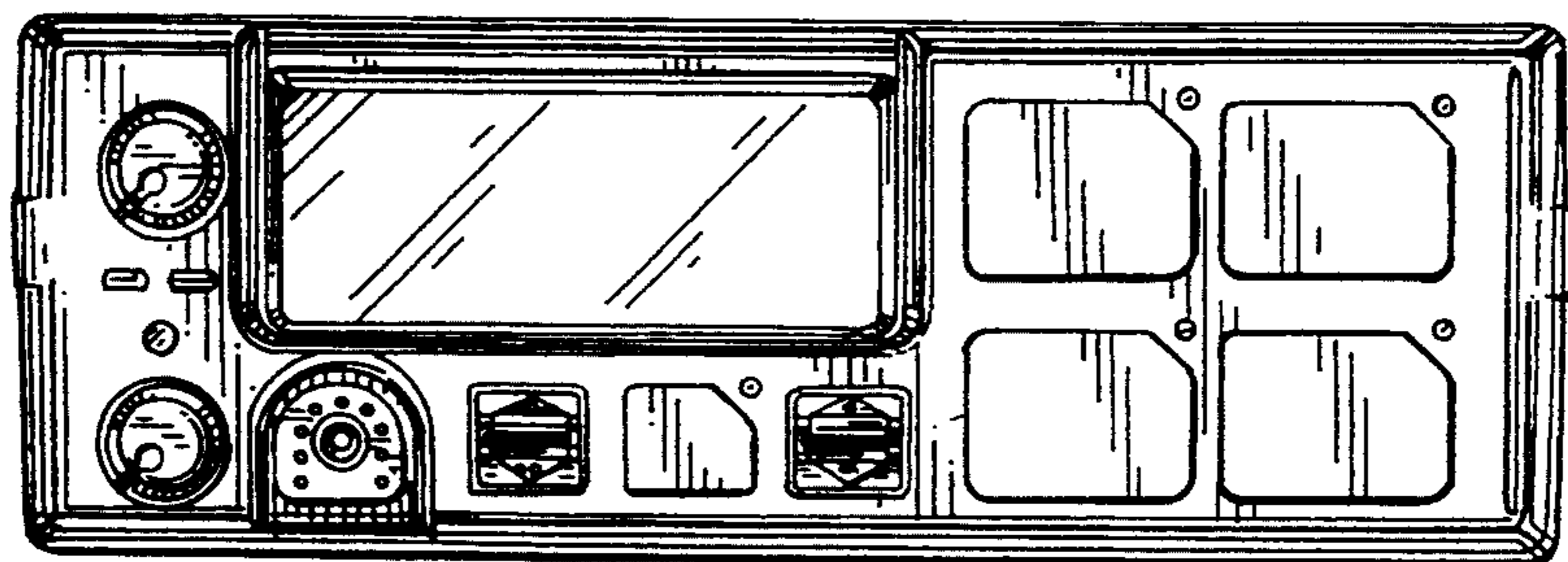
[54] **CONTROL HEAD FOR A MOBILE RADIO**  
 [75] Inventor: **Richard Culbertson, Lynchburg, Va.**  
 [73] Assignee: **Ericsson GE Mobile Communications Inc., Lynchburg, Va.**  
 [\*\*] Term: **14 Years**  
 [21] Appl. No.: **6,391**  
 [22] Filed: **Mar. 23, 1993**  
 [52] U.S. Cl. .... **D14/257; D14/137**  
 [58] Field of Search ..... **D14/124, 137, 157, 217, D14/257, 258, 299; 455/73, 89-90, 128, 345-347**

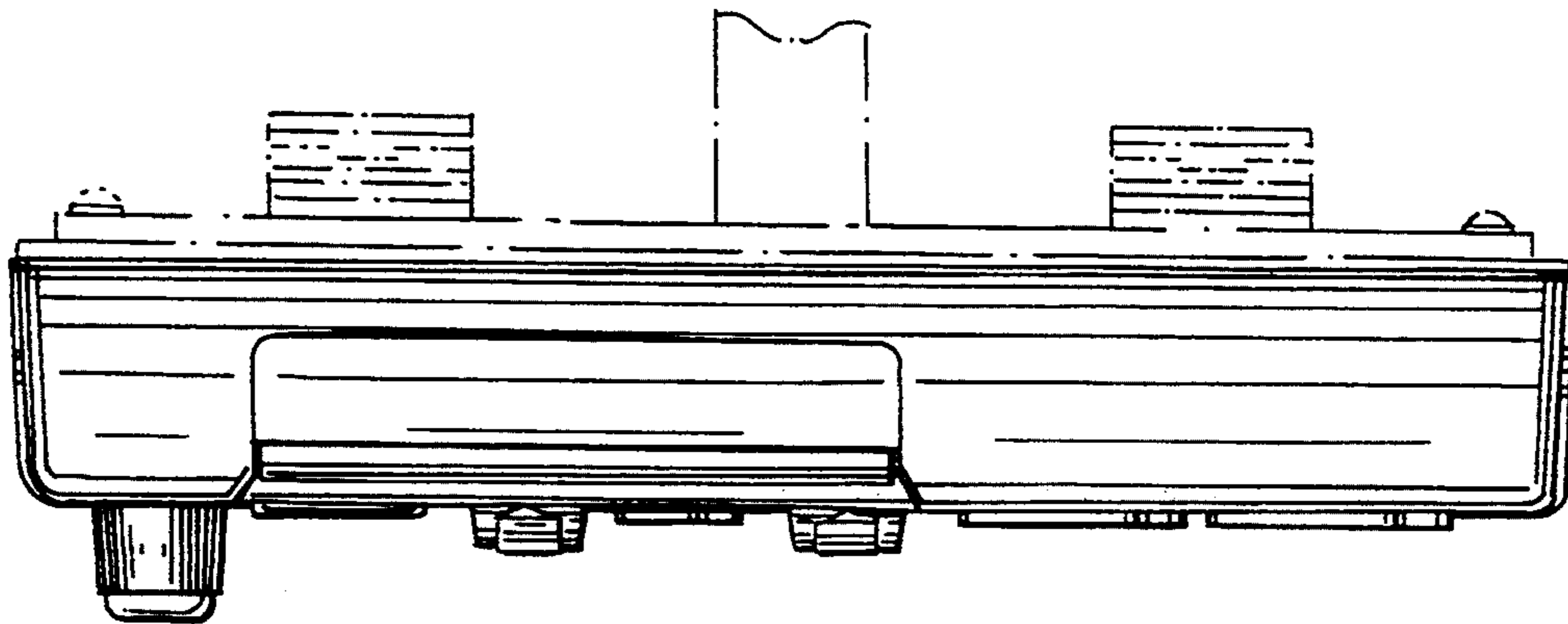
[56] **References Cited**  
**U.S. PATENT DOCUMENTS**  
 D. 289,146 3/1987 Stoddard ..... D14/258  
 D. 300,635 4/1989 Dickson ..... D14/257  
 D. 317,307 6/1991 Kasparian et al. .... D14/137  
 D. 334,744 4/1993 Tokiyama et al. .... D14/137  
 D. 334,925 4/1993 Beaumont et al. .... D14/257

*Primary Examiner*—Theodore M. Shooman  
*Attorney, Agent, or Firm*—Nixon & Vanderhye

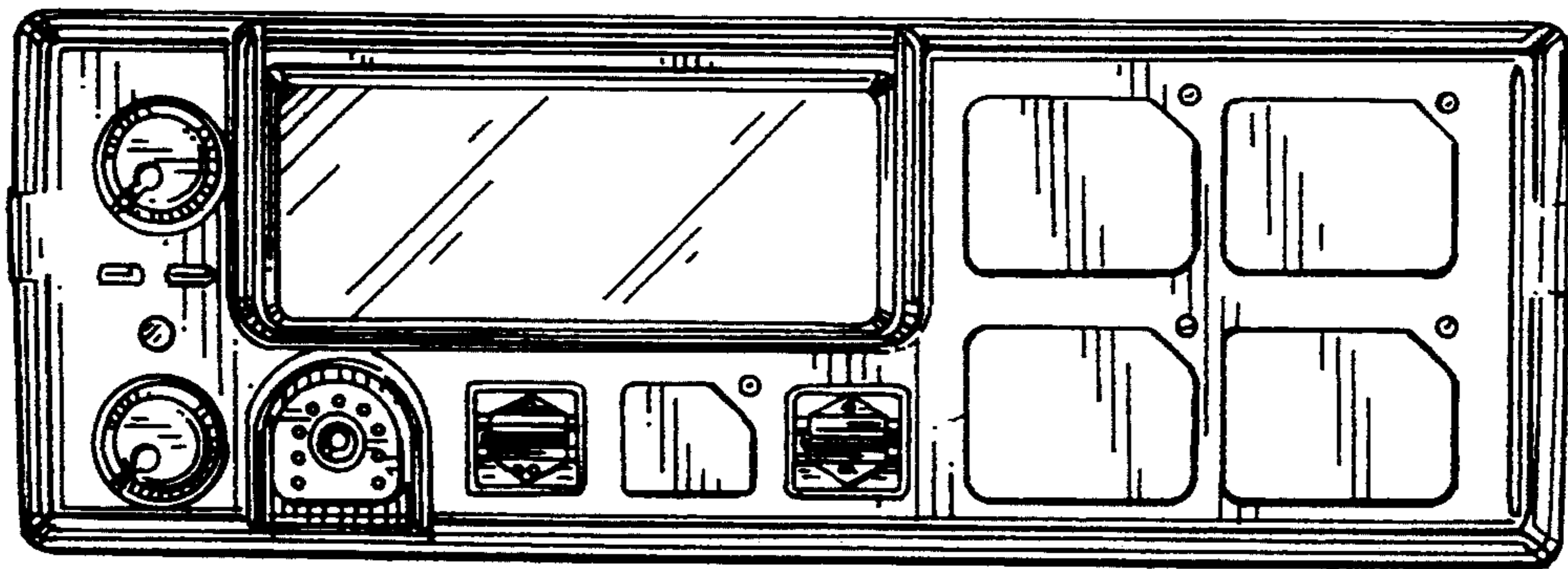
[57] **CLAIM**  
 The ornamental design for a control head for a mobile radio, as shown and described.

**DESCRIPTION**  
 FIG. 1 is a top plan view of a control head for a mobile radio according to my design, with portions of the rear side of the control head illustrated in broken lines;  
 FIG. 2 is a front elevational view thereof;  
 FIG. 3 is a right side elevational view thereof;  
 FIG. 4 is a rear elevational view thereof;  
 FIG. 5 is a left side elevational view thereof;  
 FIG. 6 is a bottom plan view thereof;  
 FIG. 7 is a view similar to FIG. 1 illustrating a further form of control head according to my design;  
 FIG. 8 is a front elevational view thereof;  
 FIG. 9 is a right side elevational view thereof;  
 FIG. 10 is a left side elevational view thereof; and,  
 FIG. 11 is a bottom plan view thereof.  
 The rear view of the embodiment of FIG. 7 is identical to FIG. 4.  
 The broken lines of FIGS. 1, 3-7 and 9-11 are for purposes of illustration only and form no part of the claimed design.

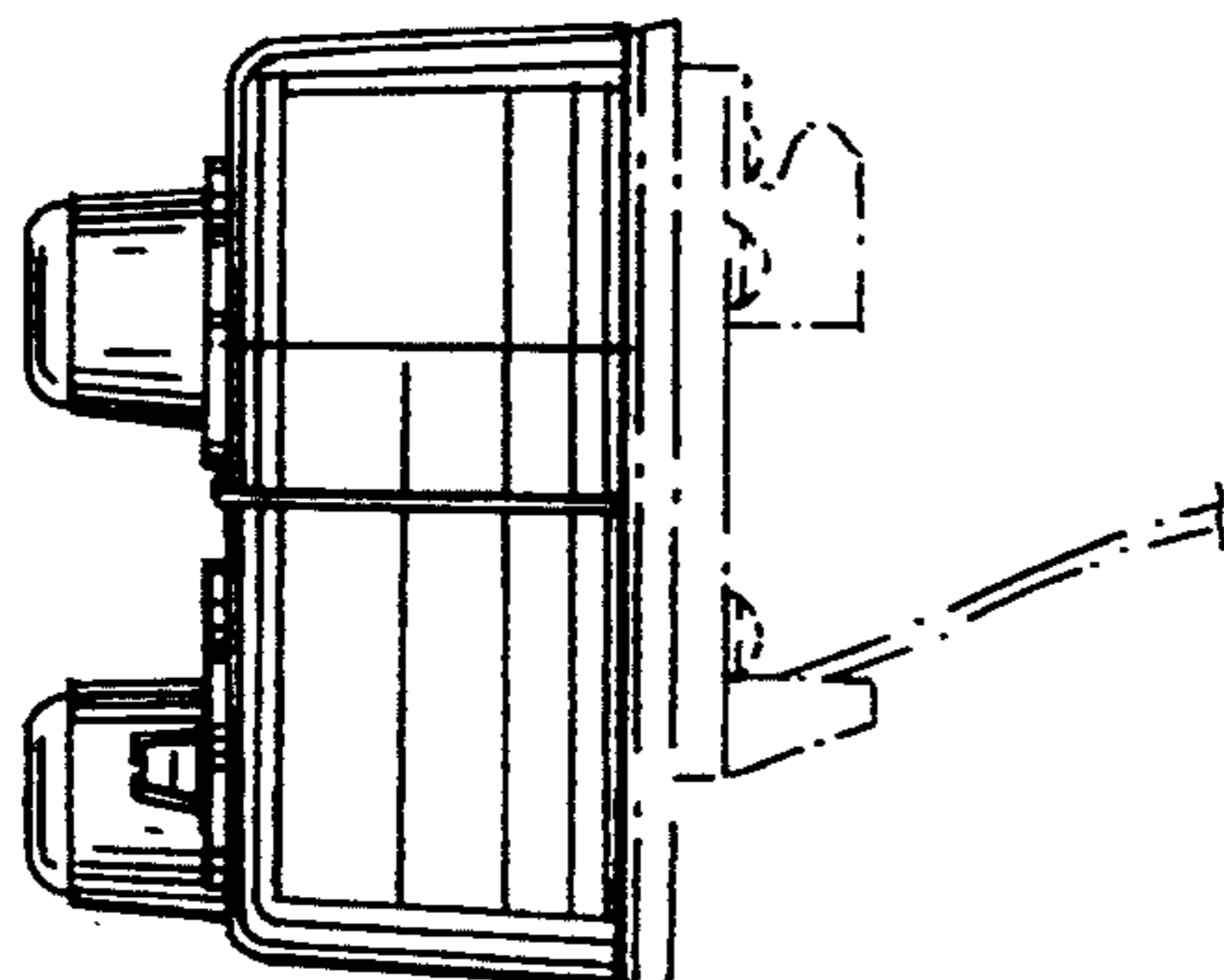




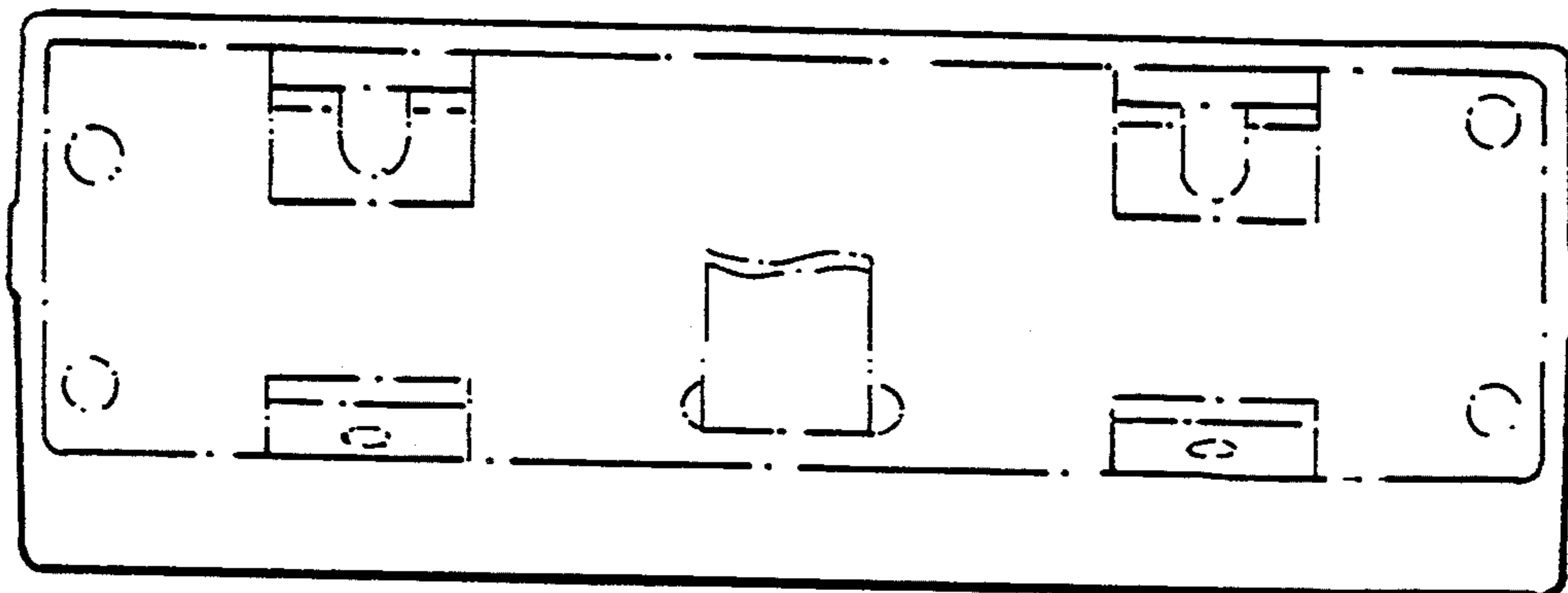
**FIG. 1**



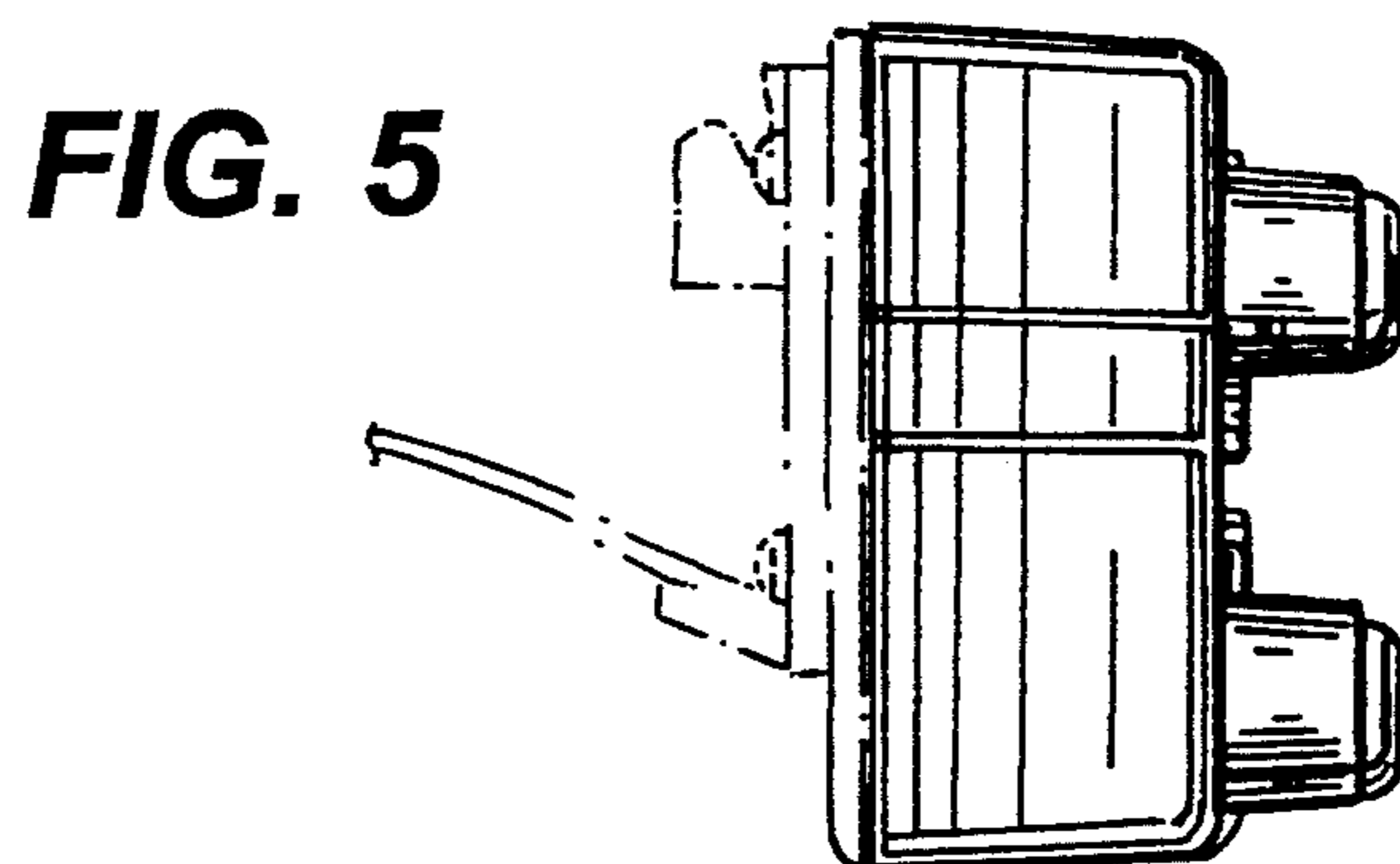
**FIG. 2**



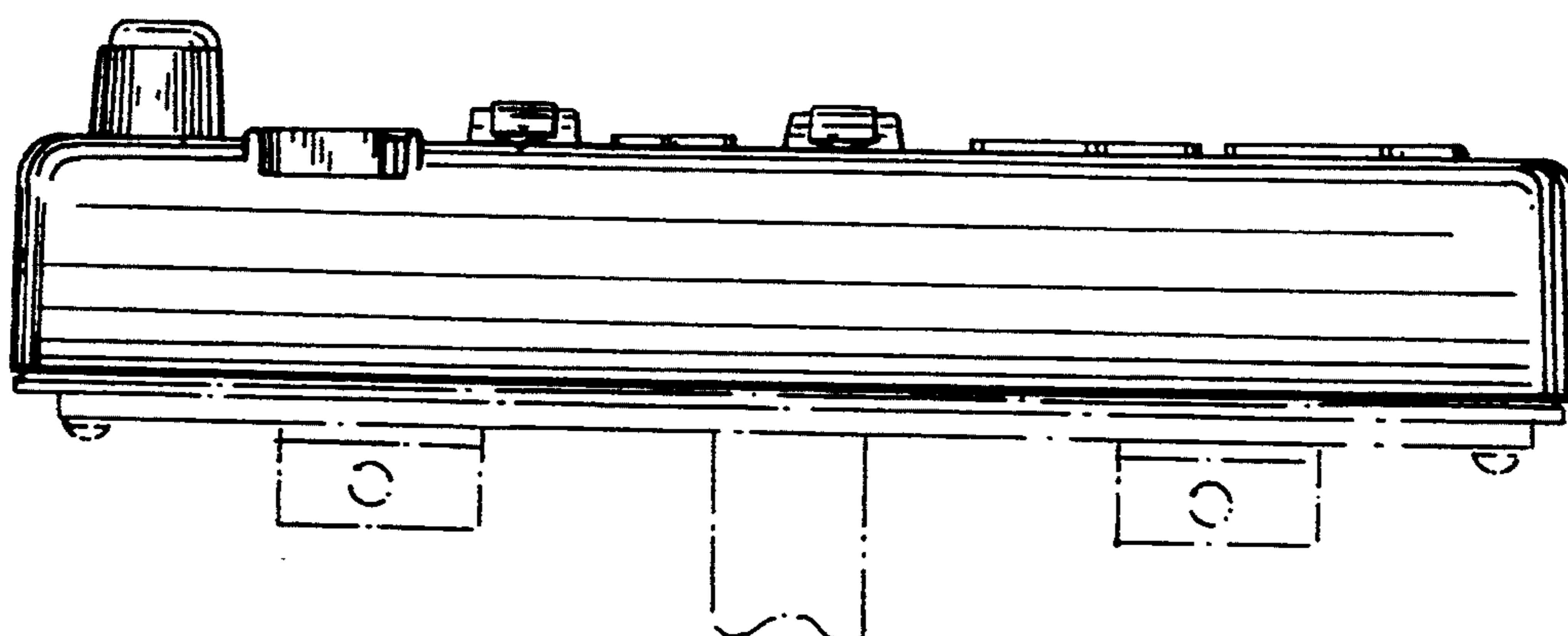
**FIG. 3**



**FIG. 4**

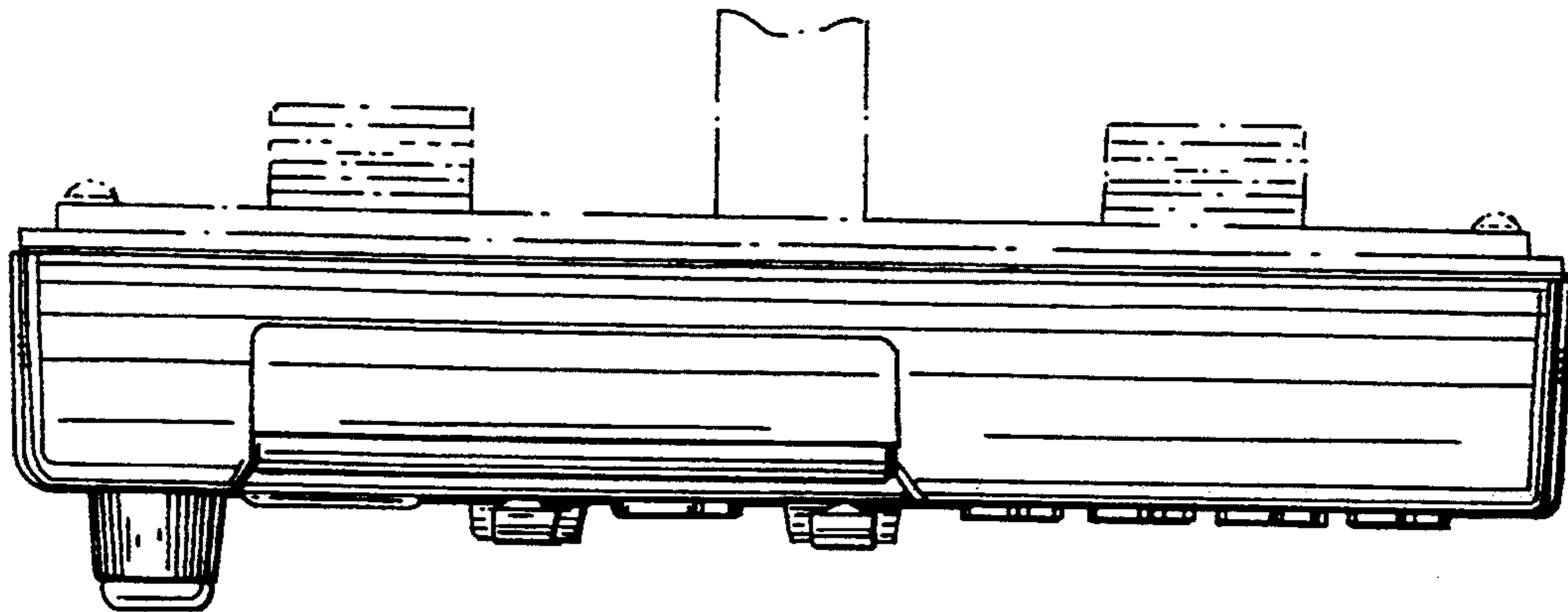


**FIG. 5**

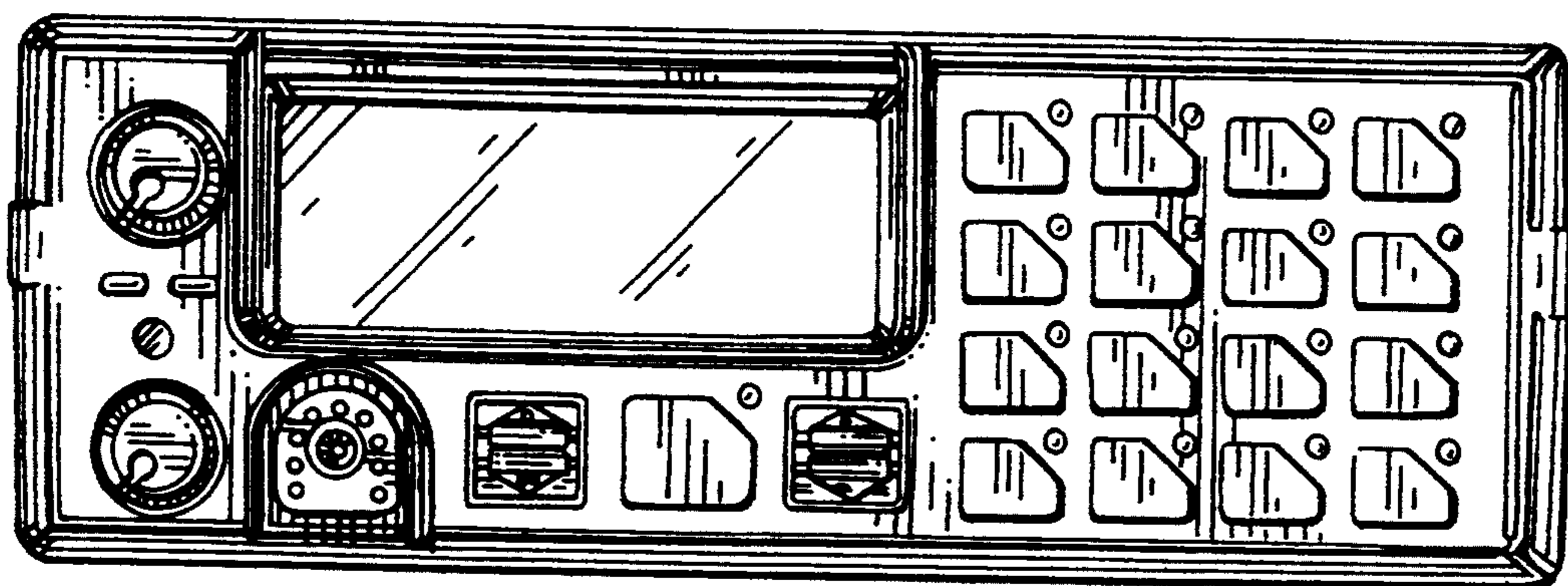


**FIG. 6**

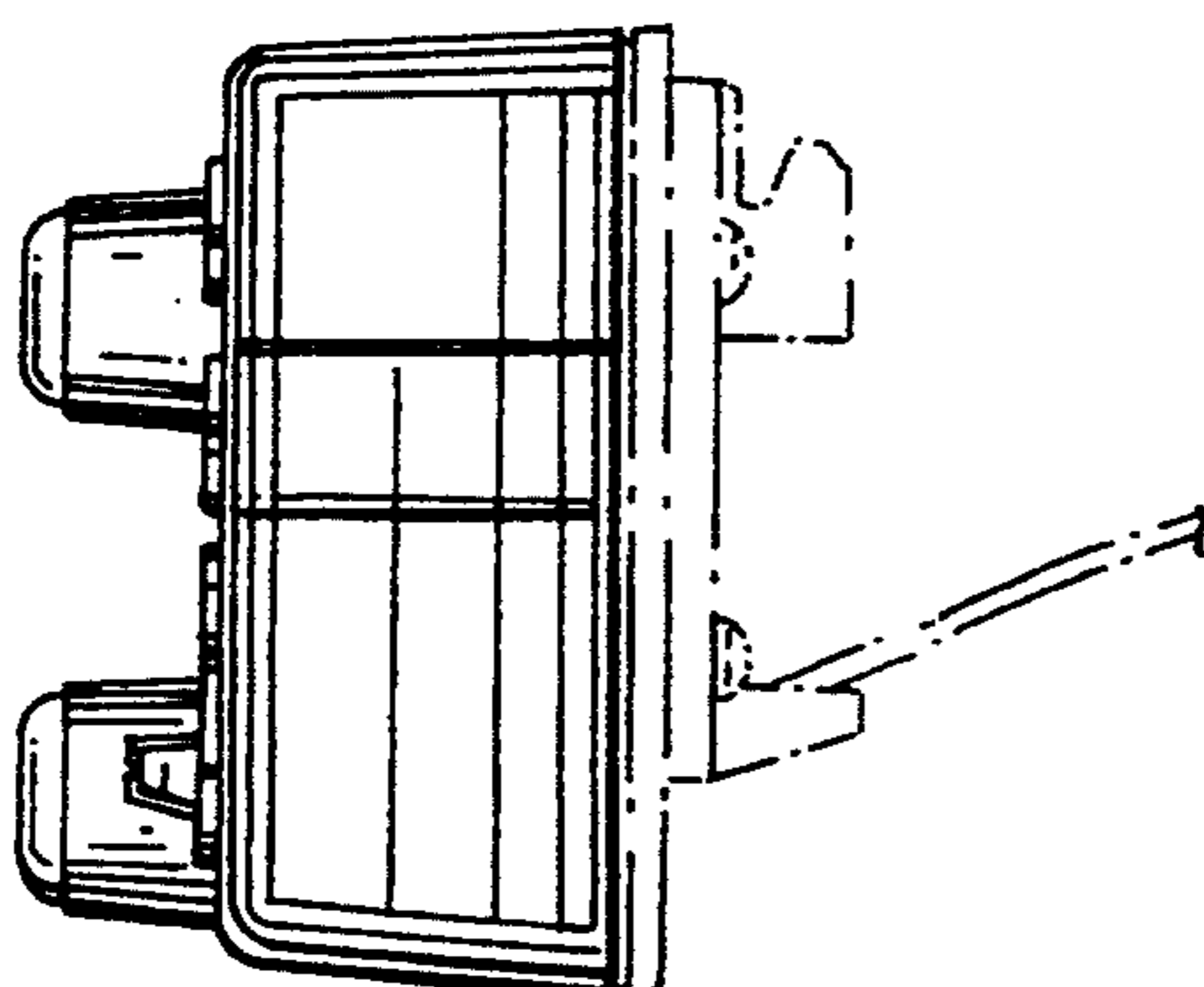




**FIG. 7**

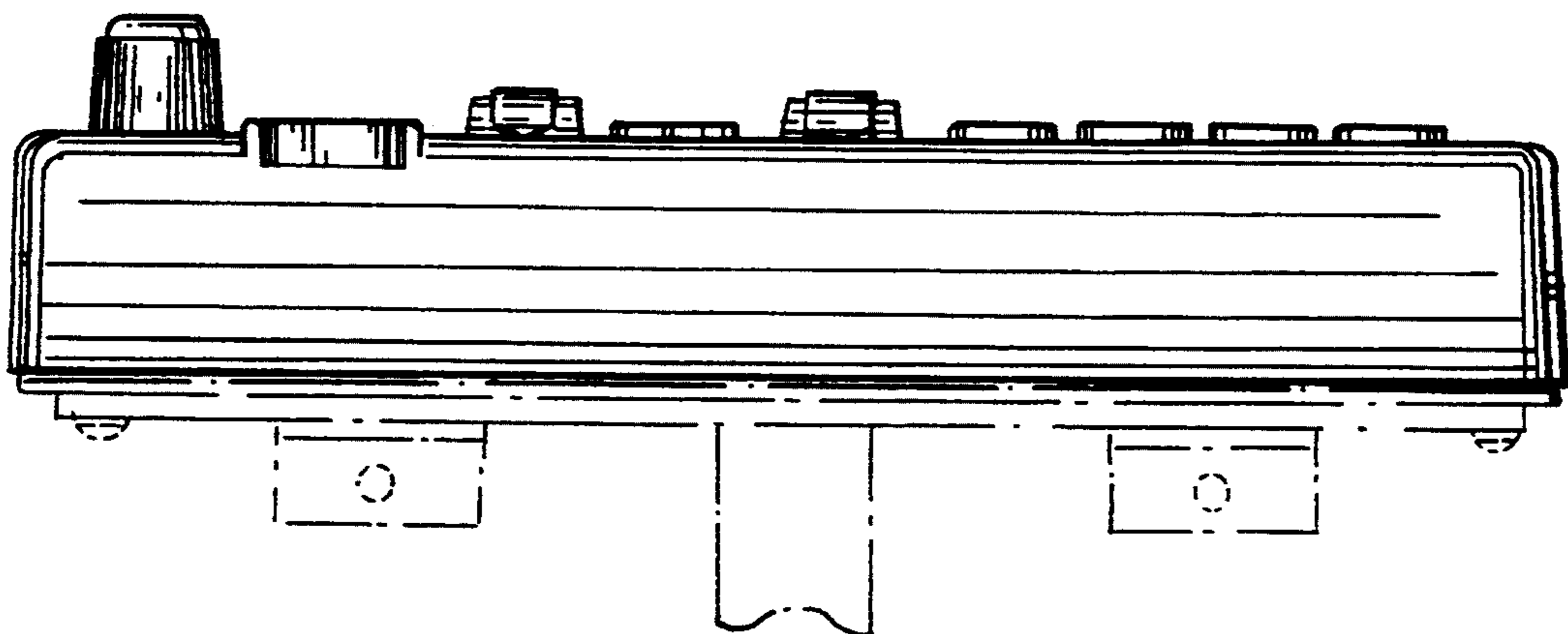
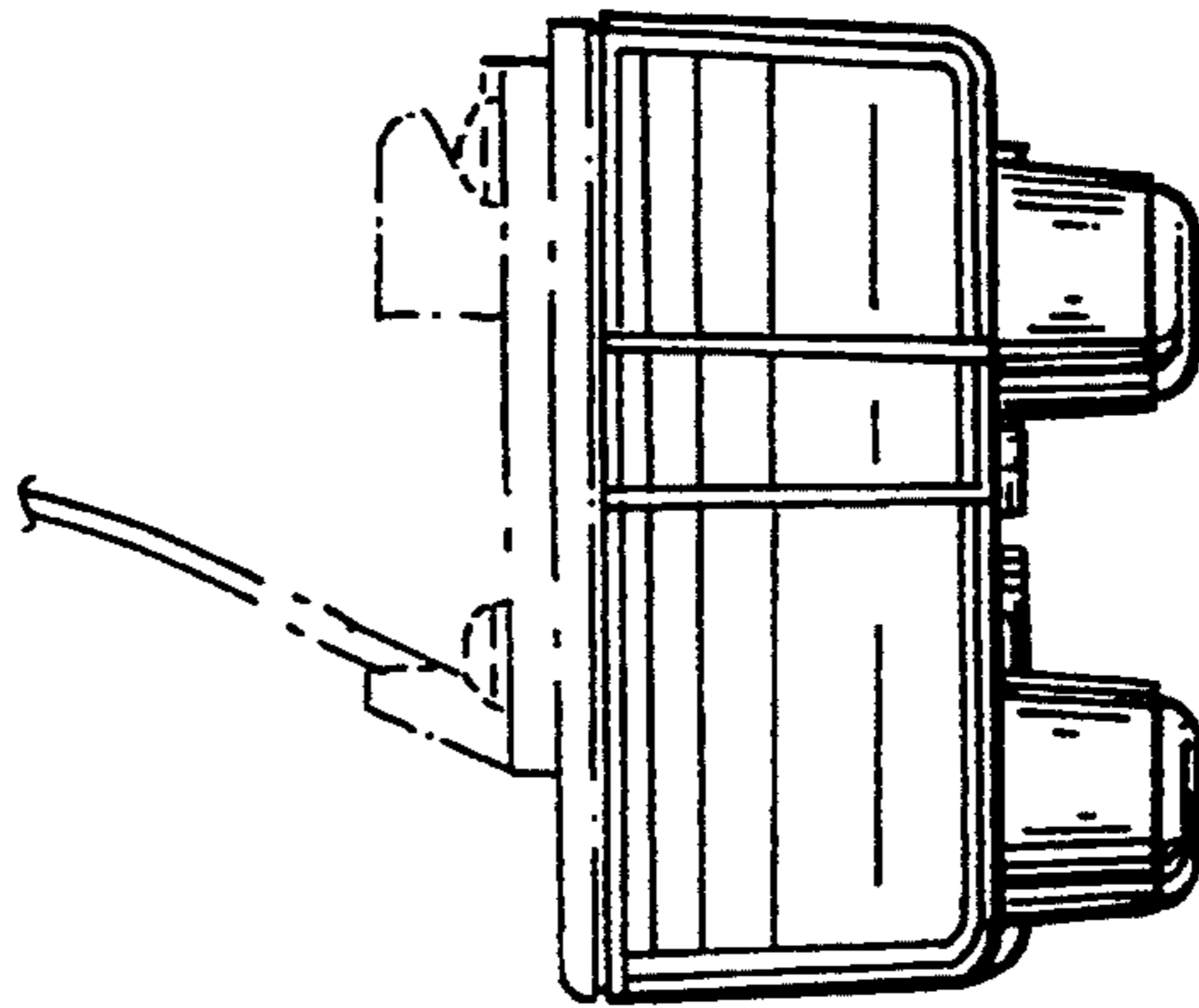


**FIG. 8**



**FIG. 9**

**FIG. 10**



**FIG. 11**