



US00D356316S

United States Patent [19] Culbertson

[11] Patent Number: **Des. 356,316**

[45] Date of Patent: **** Mar. 14, 1995**

- [54] **REMOTE CONTROL HEAD FOR MOBILE RADIO**
- [75] Inventor: **Richard Culbertson, Lynchburg, Va.**
- [73] Assignee: **Ericsson GE Mobile Communications Inc., Lynchburg, Va.**
- [**] Term: **14 Years**
- [21] Appl. No.: **6,175**
- [22] Filed: **Mar. 23, 1993**
- [52] U.S. Cl. **D14/257; D14/137**
- [58] Field of Search **D14/124, 137, 157, 217, D14/257, 258, 299; 455/73, 89-90, 128, 345-347**

Primary Examiner—Theodore M. Shooman
Attorney, Agent, or Firm—Nixon & Vanderhuy

[57] CLAIM

The ornamental design for a remote control head for mobile radio, as shown and described.

DESCRIPTION

FIG. 1 is a top plan view of a remote control head for a mobile radio;
 FIG. 2 is a front elevational view thereof;
 FIG. 3 is a right side elevational view thereof;
 FIG. 4 is a rear elevational view thereof;
 FIG. 5 is a left side elevational view thereof;
 FIG. 6 is a bottom plan view thereof;
 FIG. 7 is a top plan view of a further embodiment of remote control head for mobile radio according to my design;
 FIG. 8 is a front elevational view thereof;
 FIG. 9 is a right side elevational view thereof;
 FIG. 10 is a left side elevational view thereof; and,
 FIG. 11 is a bottom plan view thereof.
 The rear view of the embodiment of FIG. 7 is identical to FIG. 4.

[56] References Cited U.S. PATENT DOCUMENTS

D. 289,146	3/1987	Stoddard	D14/258
D. 300,635	4/1989	Dickson	D14/257
D. 317,307	6/1991	Kasparian et al.	D14/137
D. 334,744	4/1993	Tokiyama et al.	D14/137
D. 334,925	4/1993	Beaumont et al.	D14/257

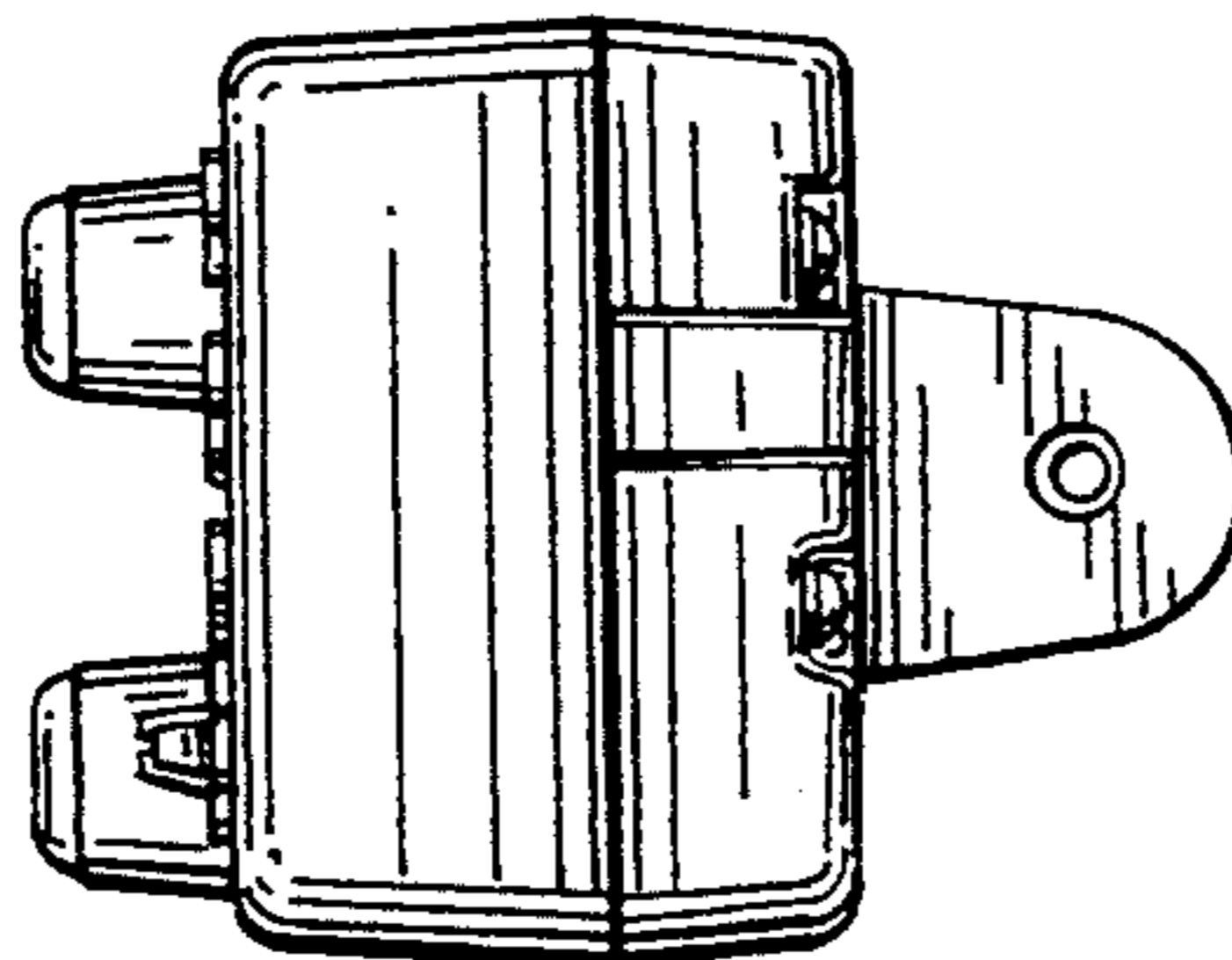
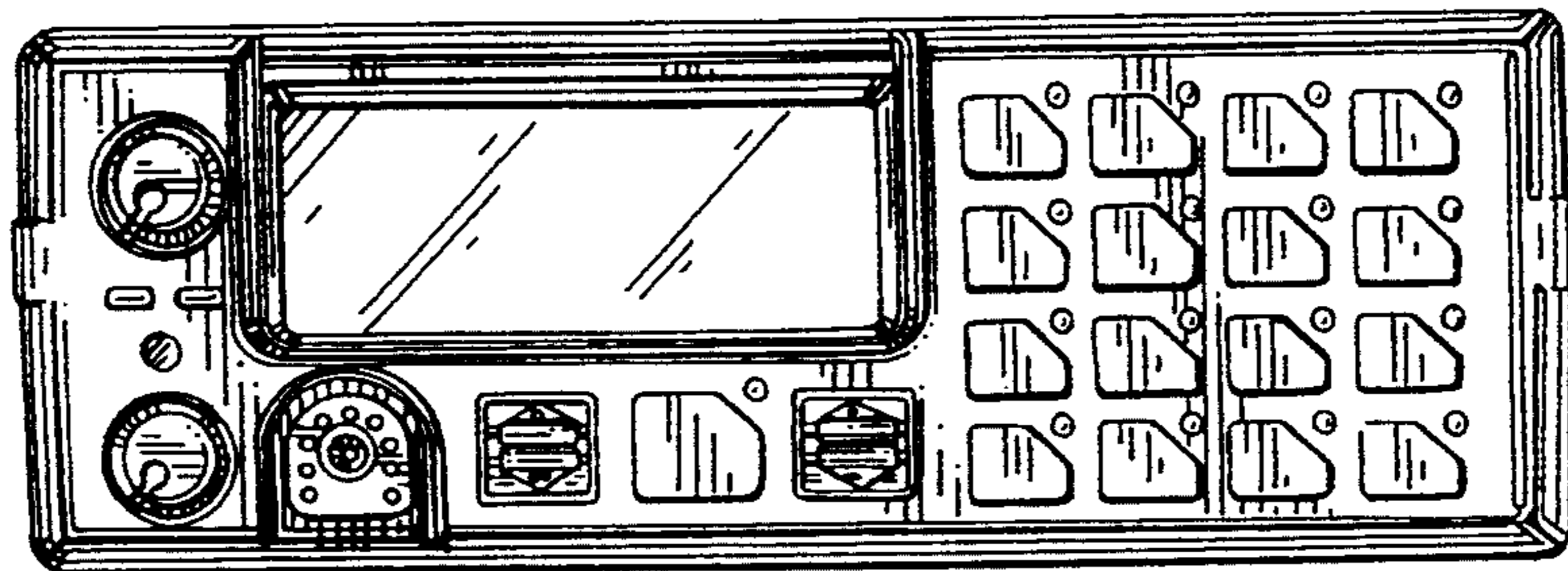
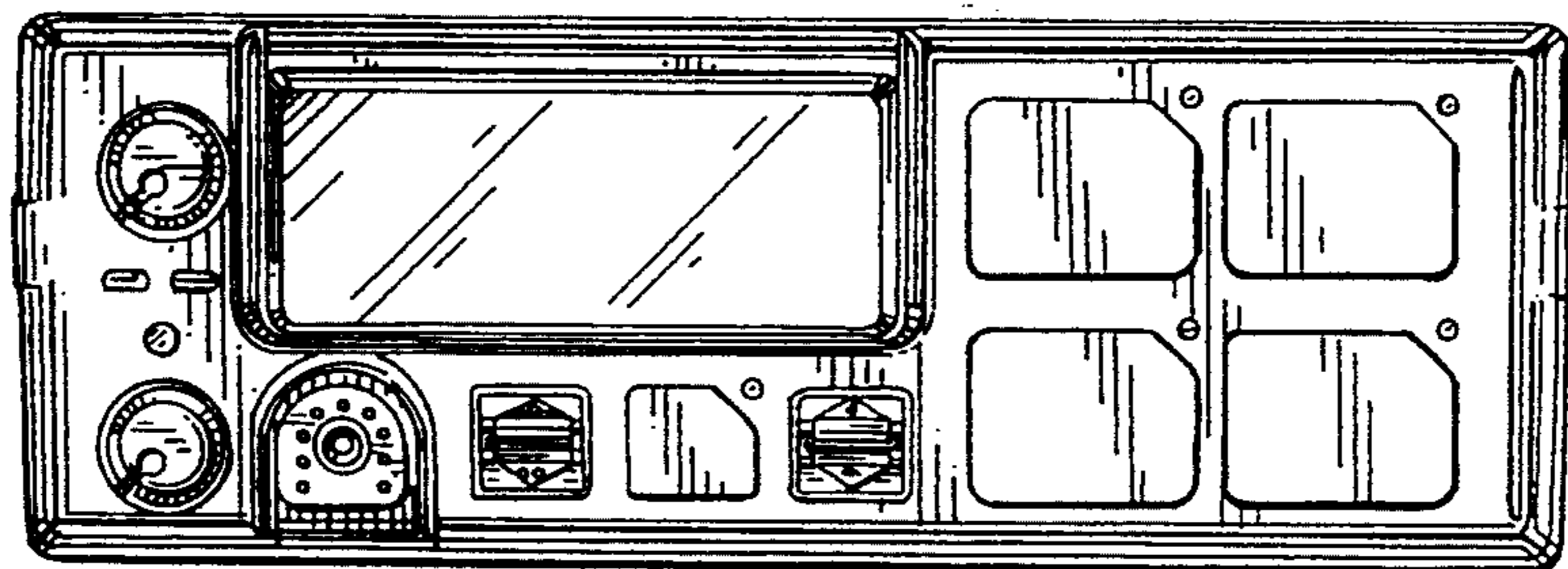


FIG. 1

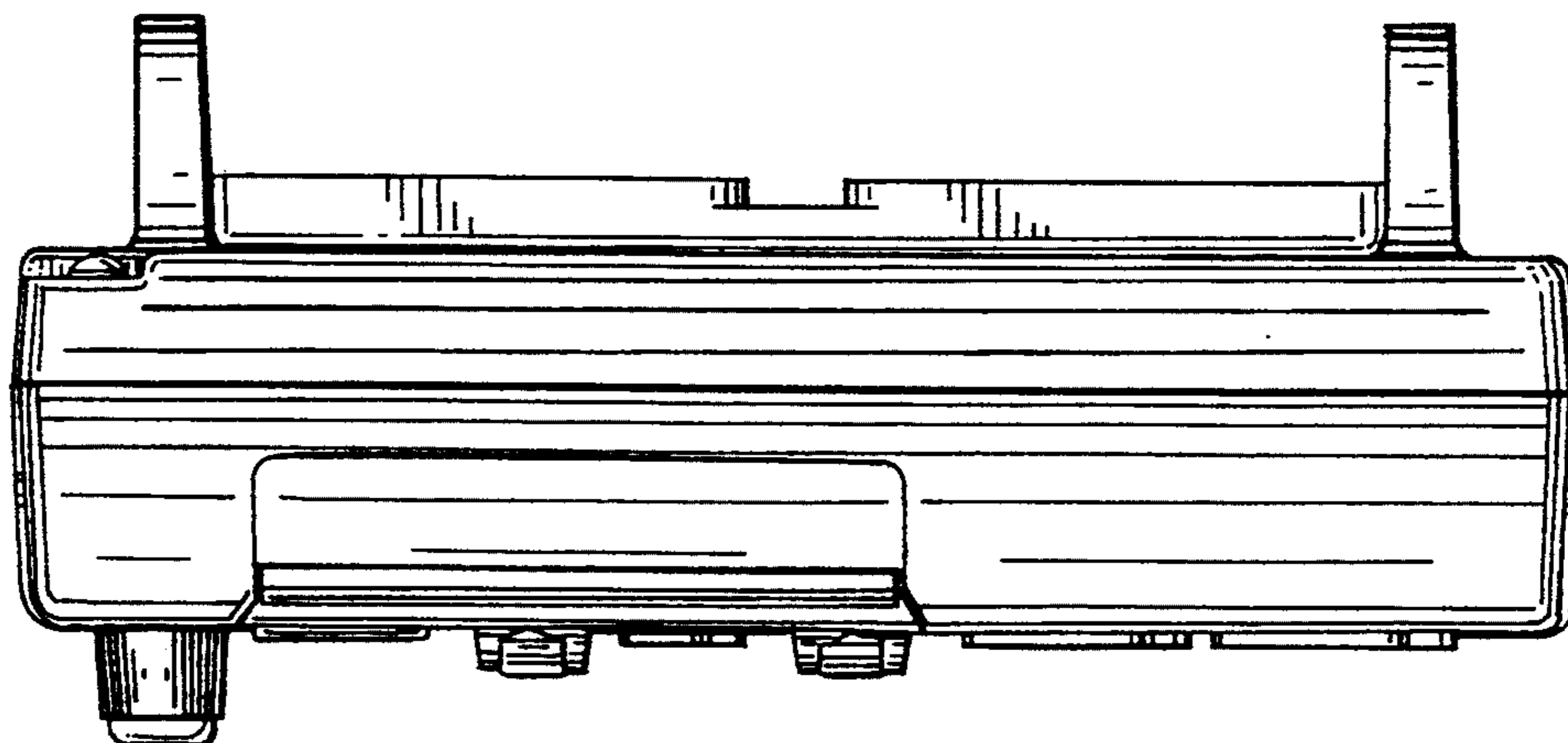


FIG. 2

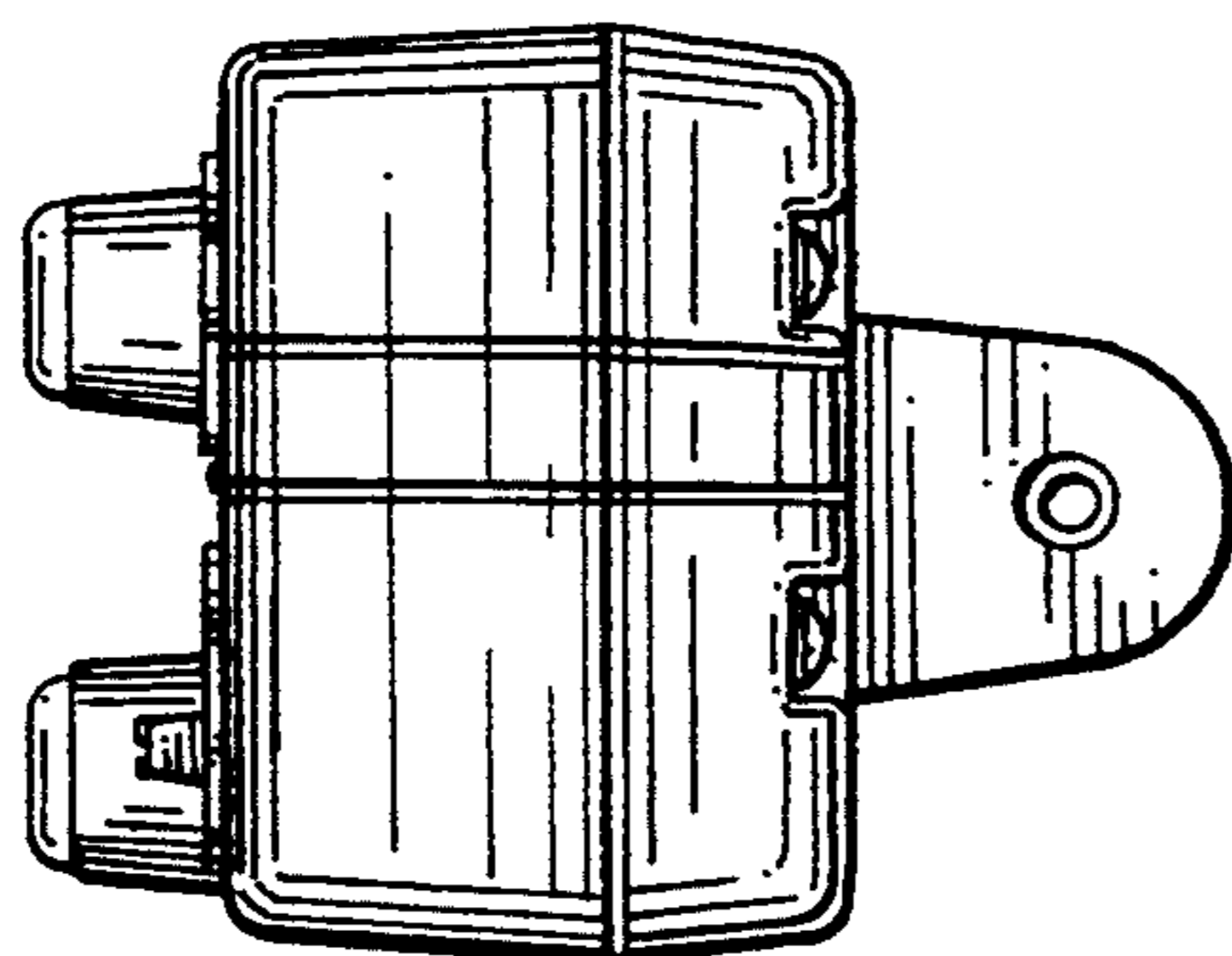
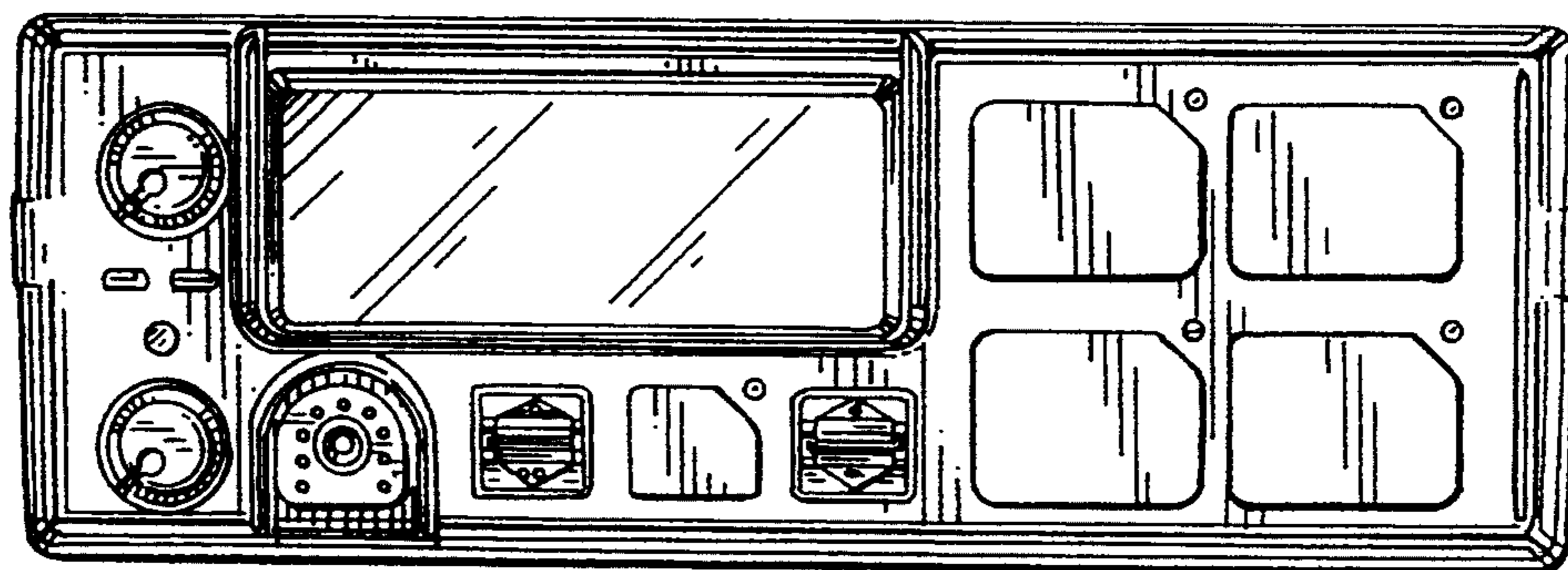


FIG. 3

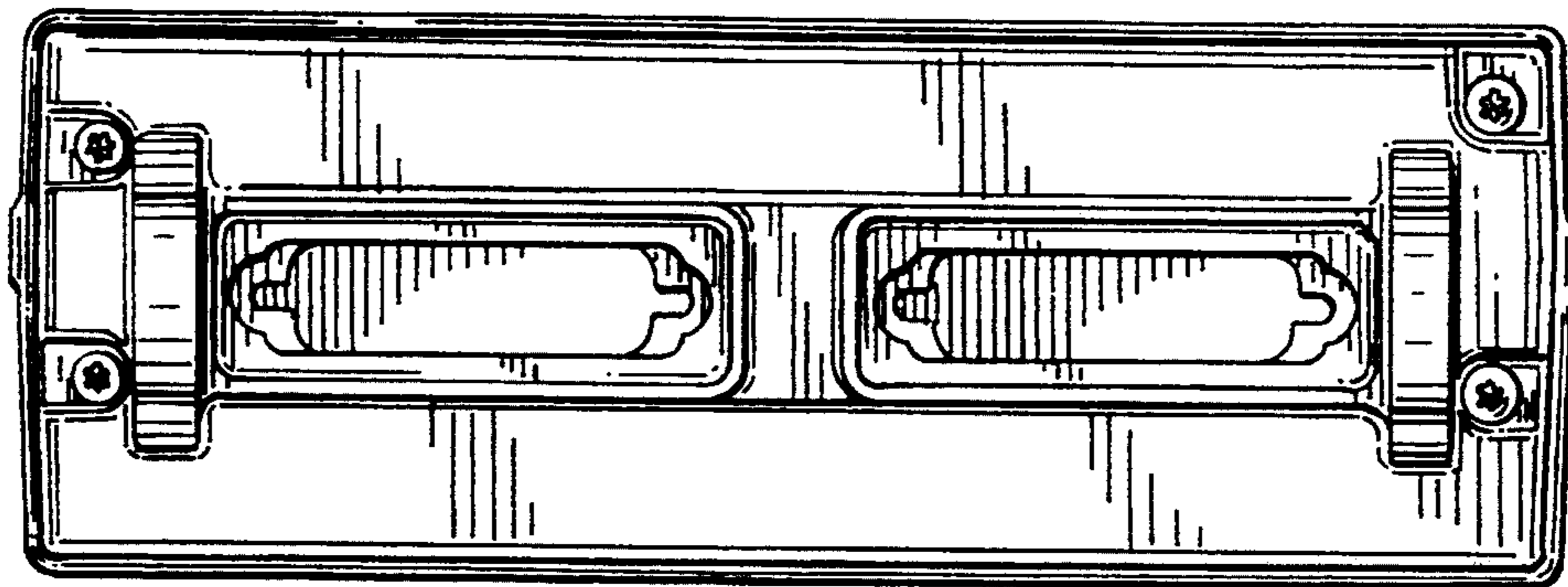


FIG. 4

FIG. 5

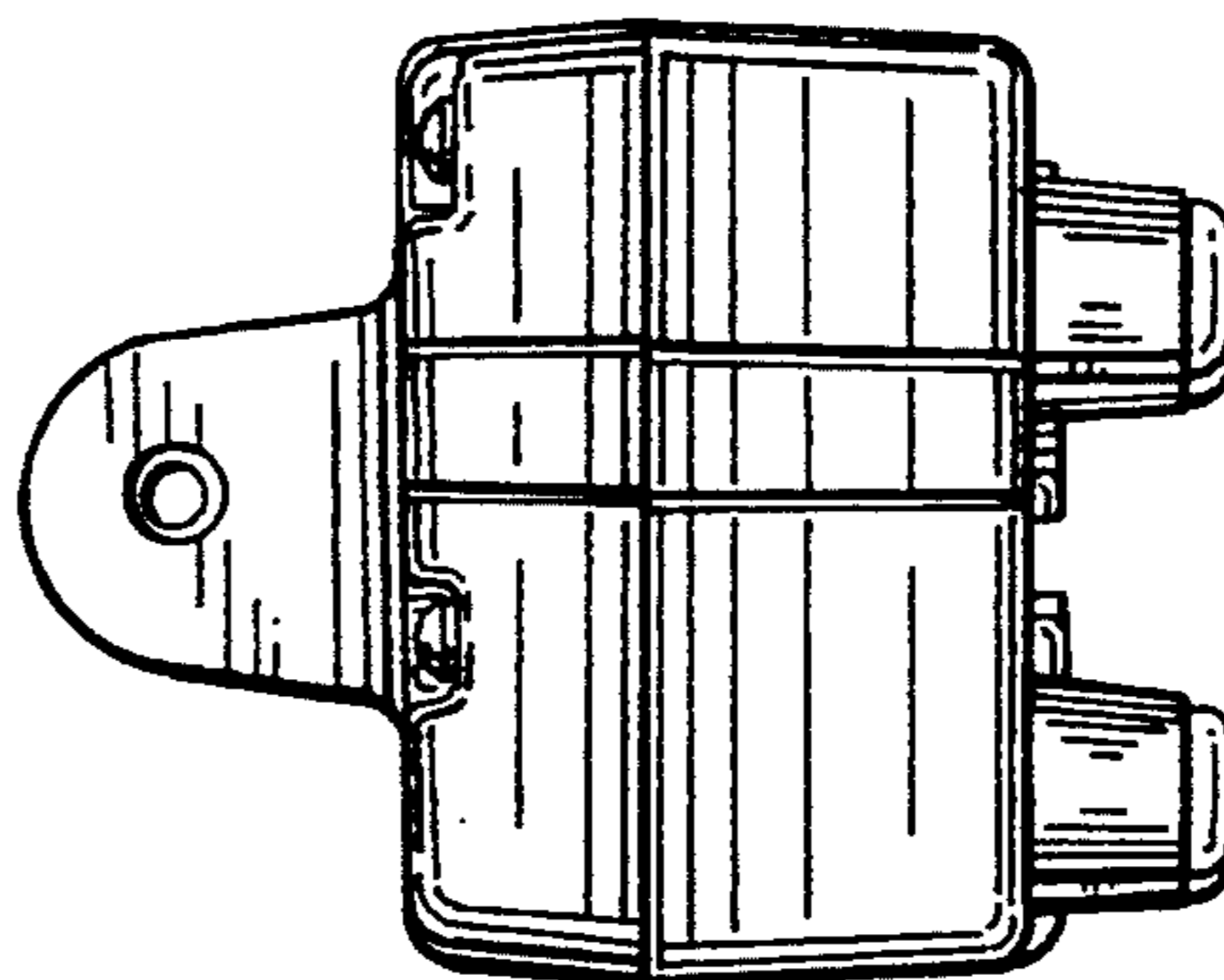


FIG. 6

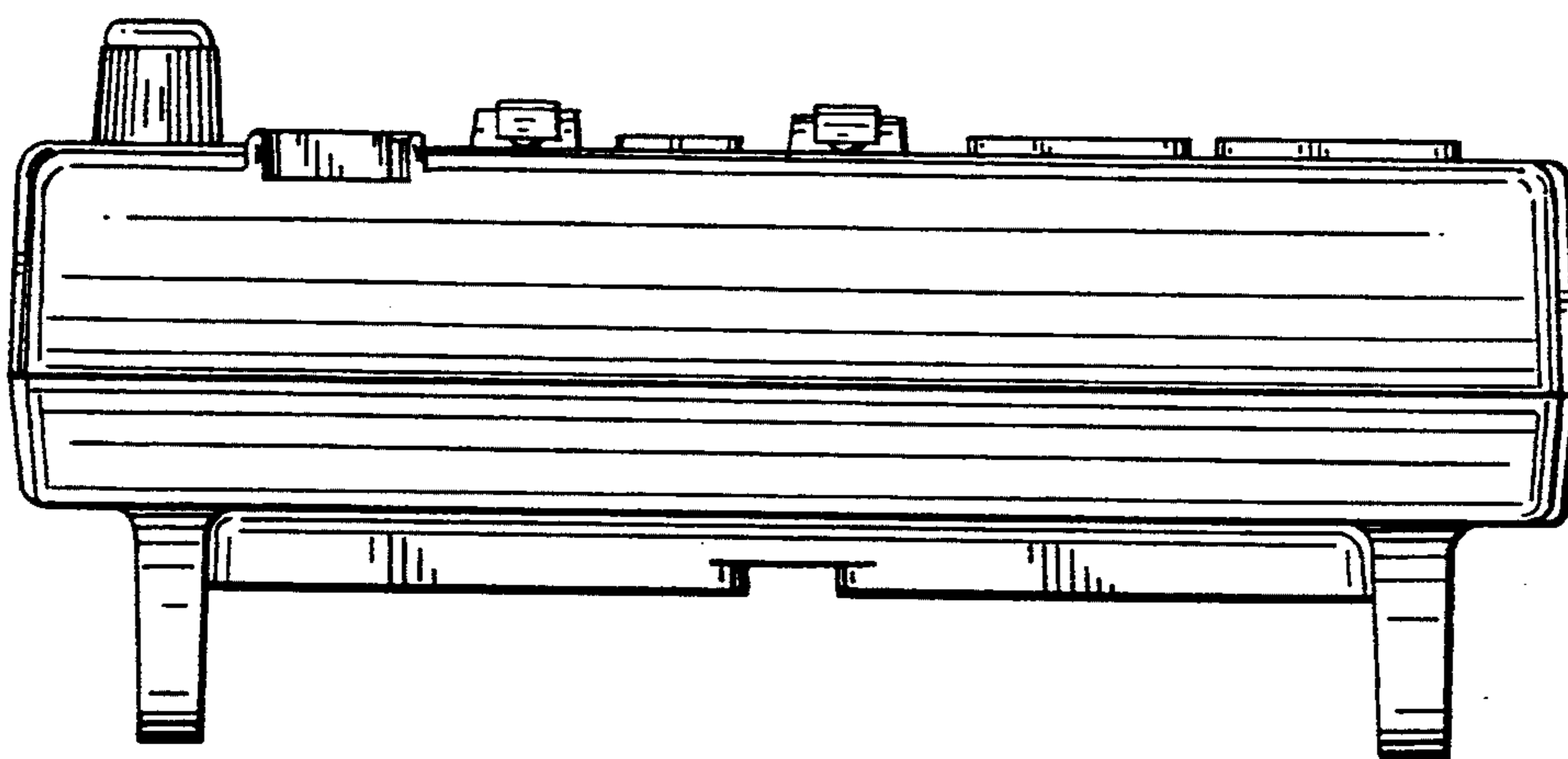


FIG. 7

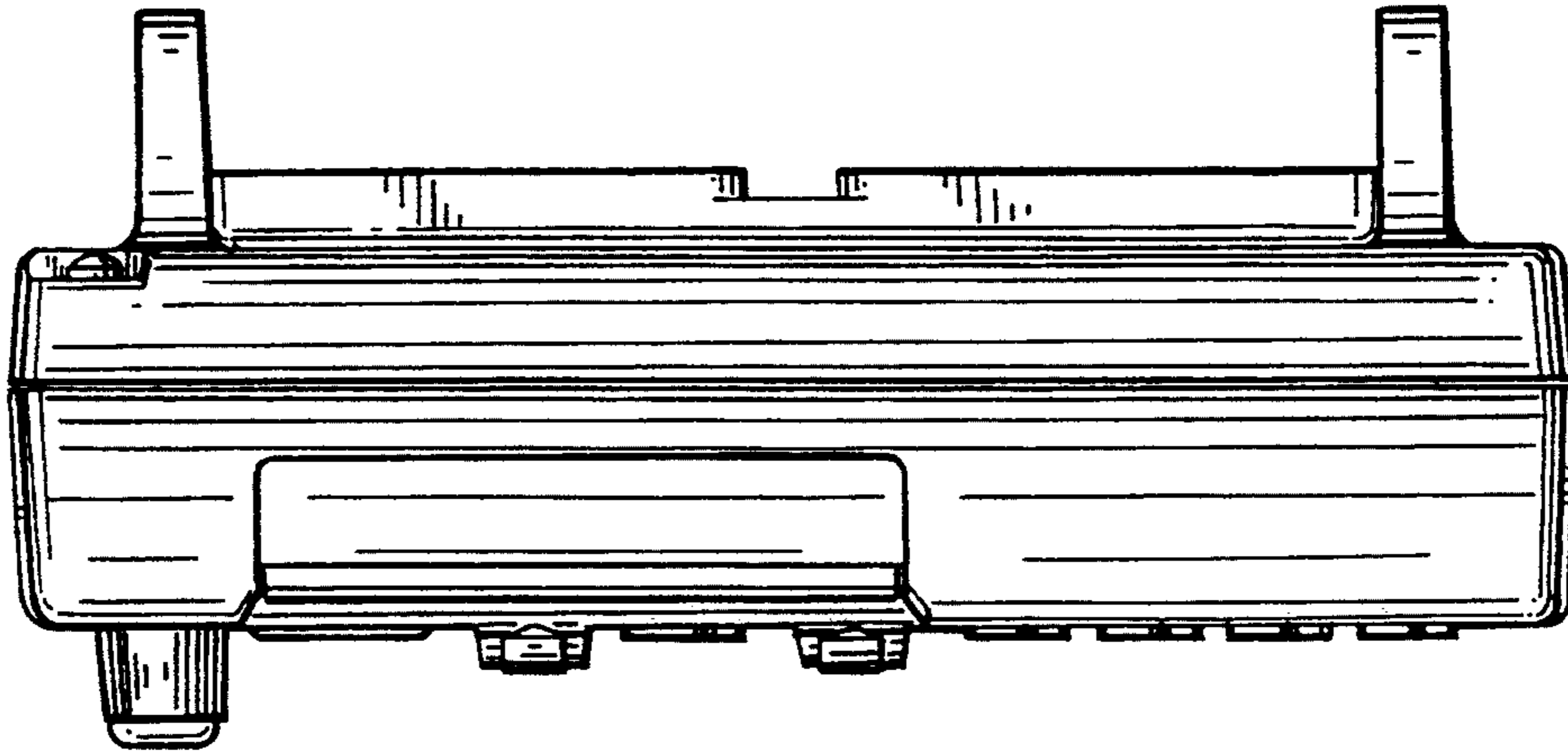


FIG. 8

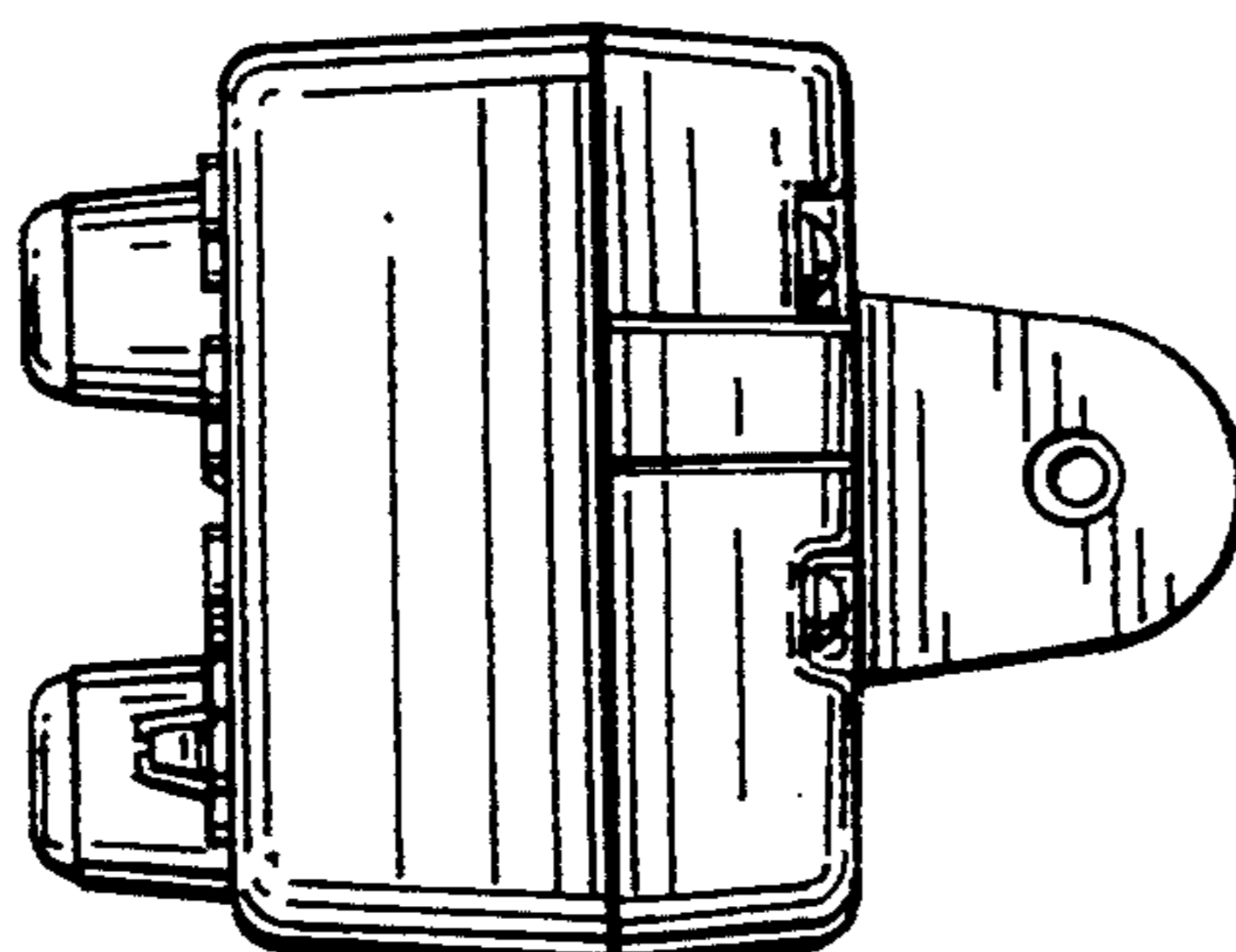
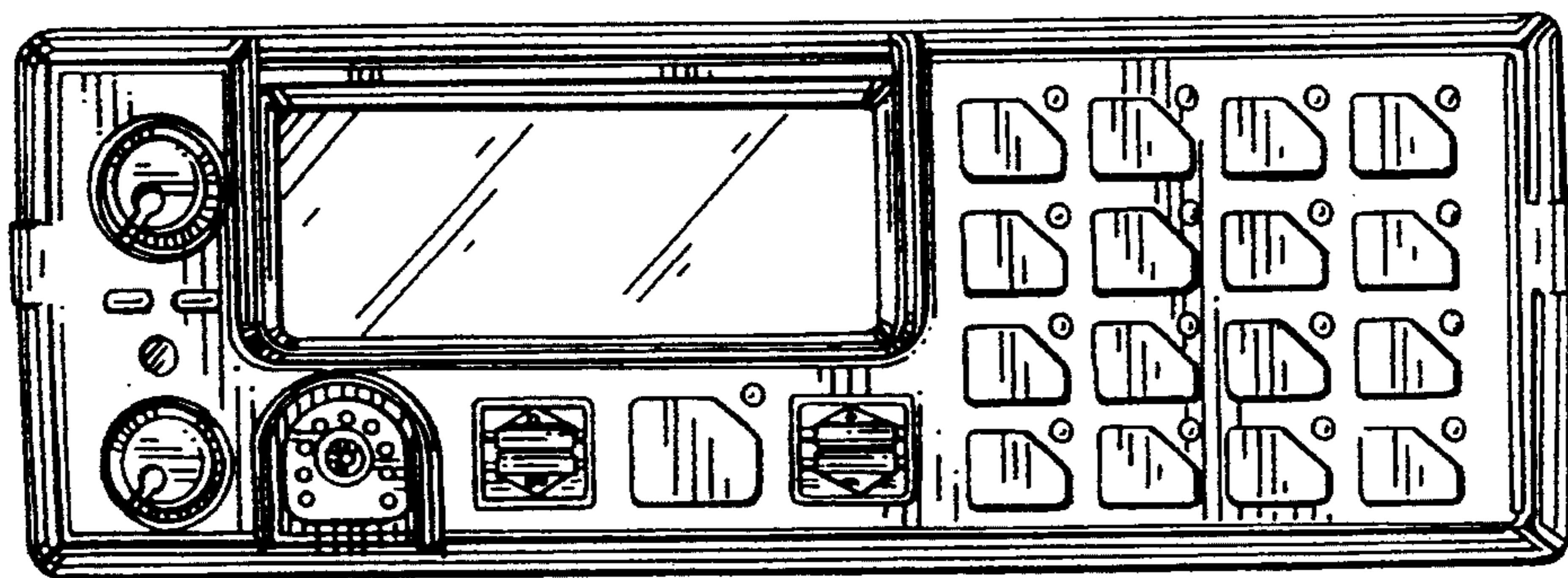


FIG. 9

FIG. 10

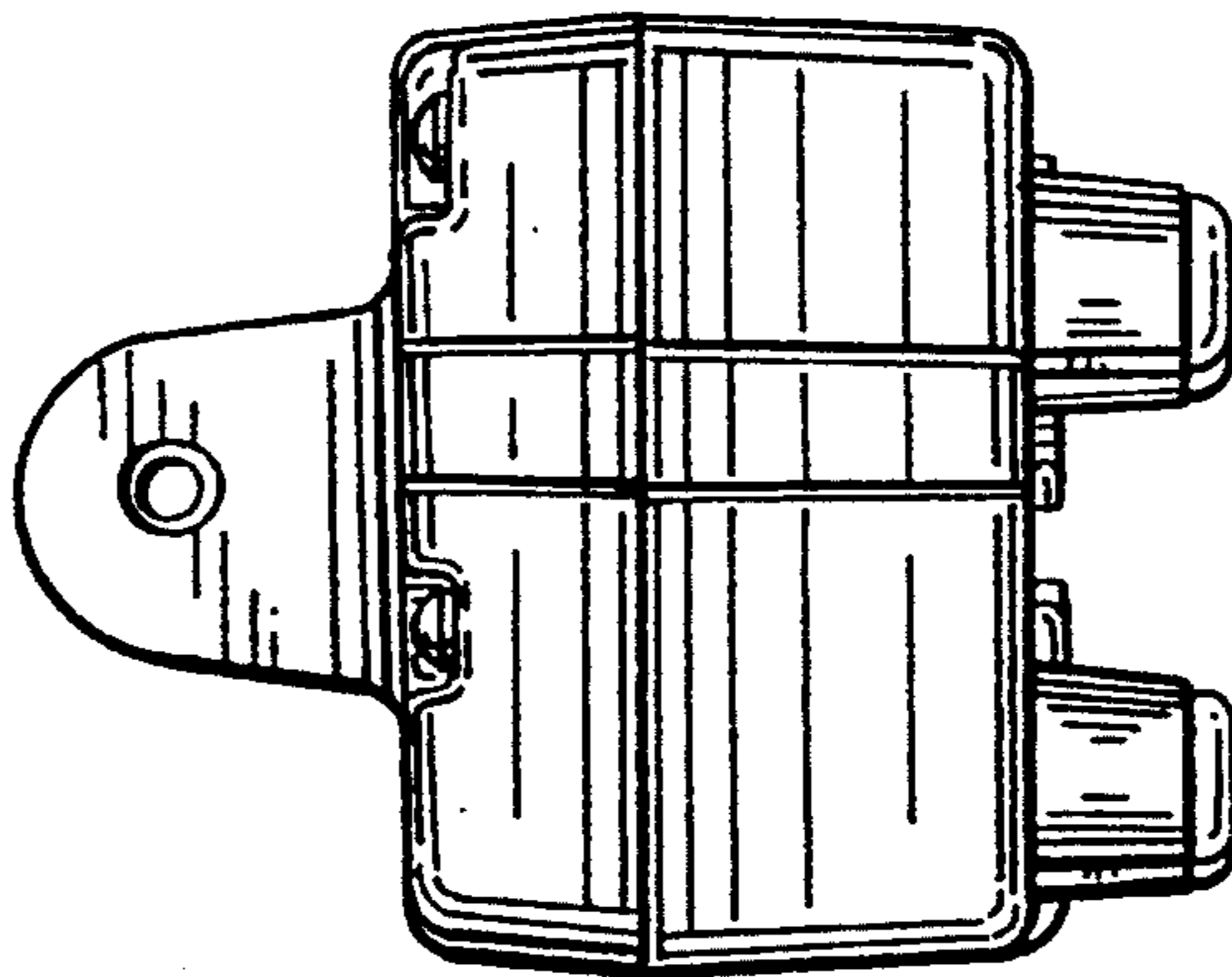


FIG. 11

