



US00D356315S

United States Patent [19] Grande

[11] Patent Number: **Des. 356,315**

[45] Date of Patent: **** Mar. 14, 1995**

[54] **SOUND POWERED TELEPHONE HANDSET**

[75] Inventor: **Frank Grande, Highland Beach, Fla.**

[73] Assignee: **Hose-McCann Telephone Co., Inc., Deerfield, Fla.**

[**] Term: **14 Years**

[21] Appl. No.: **19,174**

[22] Filed: **Feb. 24, 1994**

[52] U.S. Cl. **D14/248**

[58] Field of Search D14/137, 138, 140, 142,
D14/147, 148, 149-151, 240, 248; 379/433, 424,
428, 420, 419, 440

[56] **References Cited**

U.S. PATENT DOCUMENTS

- D. 46,267 8/1914 Setter D14/147
- D. 83,599 3/1931 Eaton et al. D14/248
- D. 186,439 10/1959 Oules D14/248
- D. 306,863 3/1990 Gallagher D14/248

- D. 331,583 12/1992 Gallagher D14/151
- 2,050,097 8/1936 Kalenoff D14/248 X
- 2,410,434 11/1946 Edwards et al. D14/148 X
- 2,475,303 7/1949 Allen et al. D14/248 X

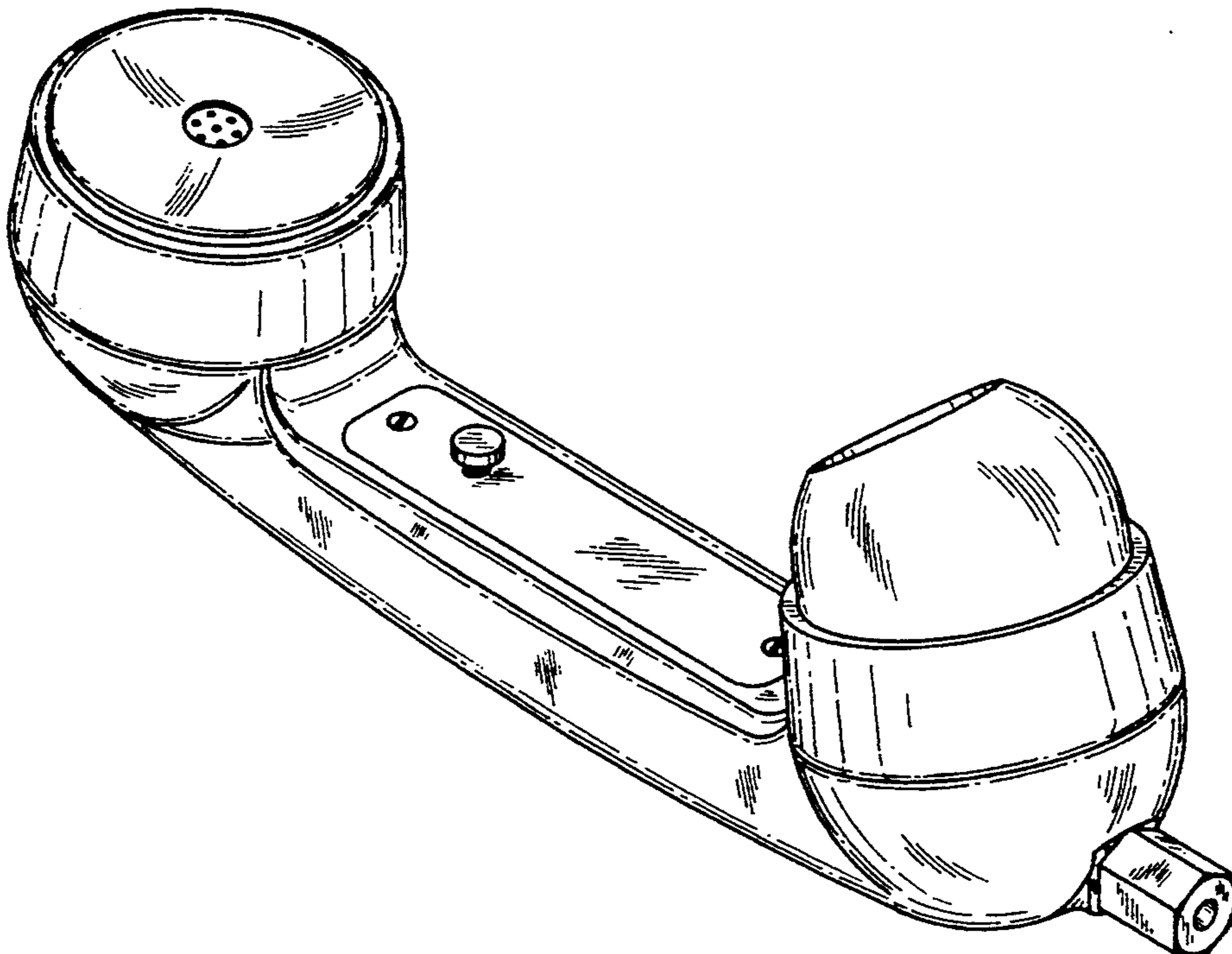
Primary Examiner—Nelson C. Holtje
Assistant Examiner—Jeffrey Asch
Attorney, Agent, or Firm—Weingram & Zall

[57] **CLAIM**

The ornamental design for a sound powered telephone handset, as shown and described.

DESCRIPTION

FIG. 1 is a perspective view of a sound powered telephone handset, showing my new design;
FIG. 2 is a side elevational view, the opposite side being identical thereto;
FIG. 3 is a top plan view;
FIG. 4 is a bottom plan view;
FIG. 5 is an end elevational view; and,
FIG. 6 is another end elevational view, opposite to the view in FIG. 5.



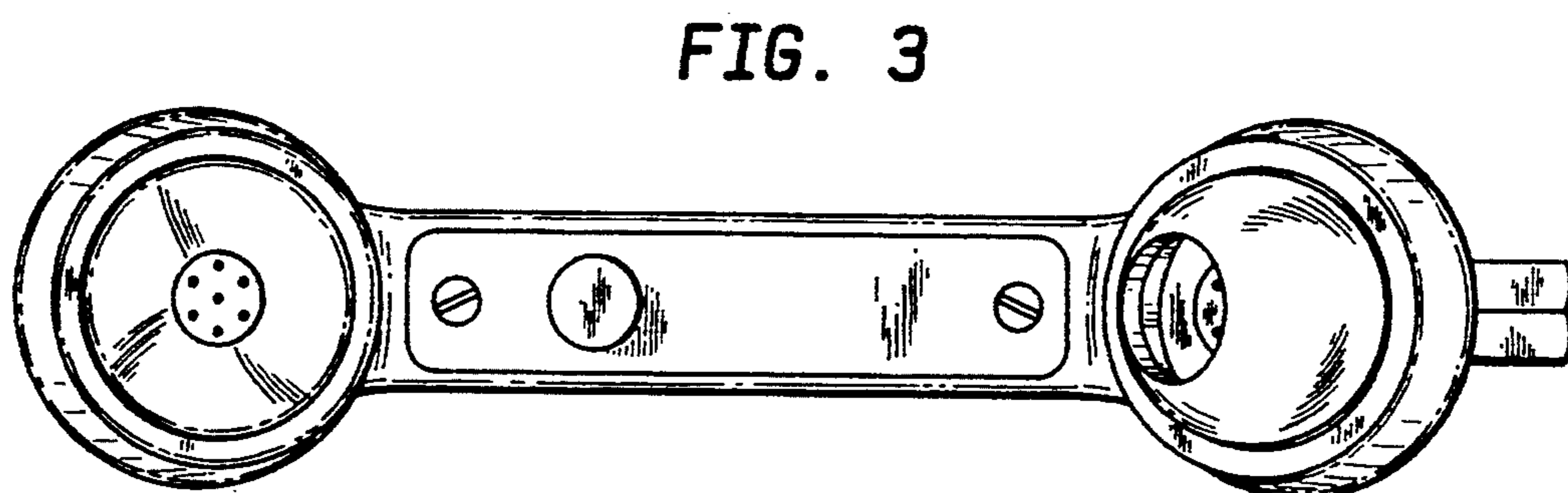
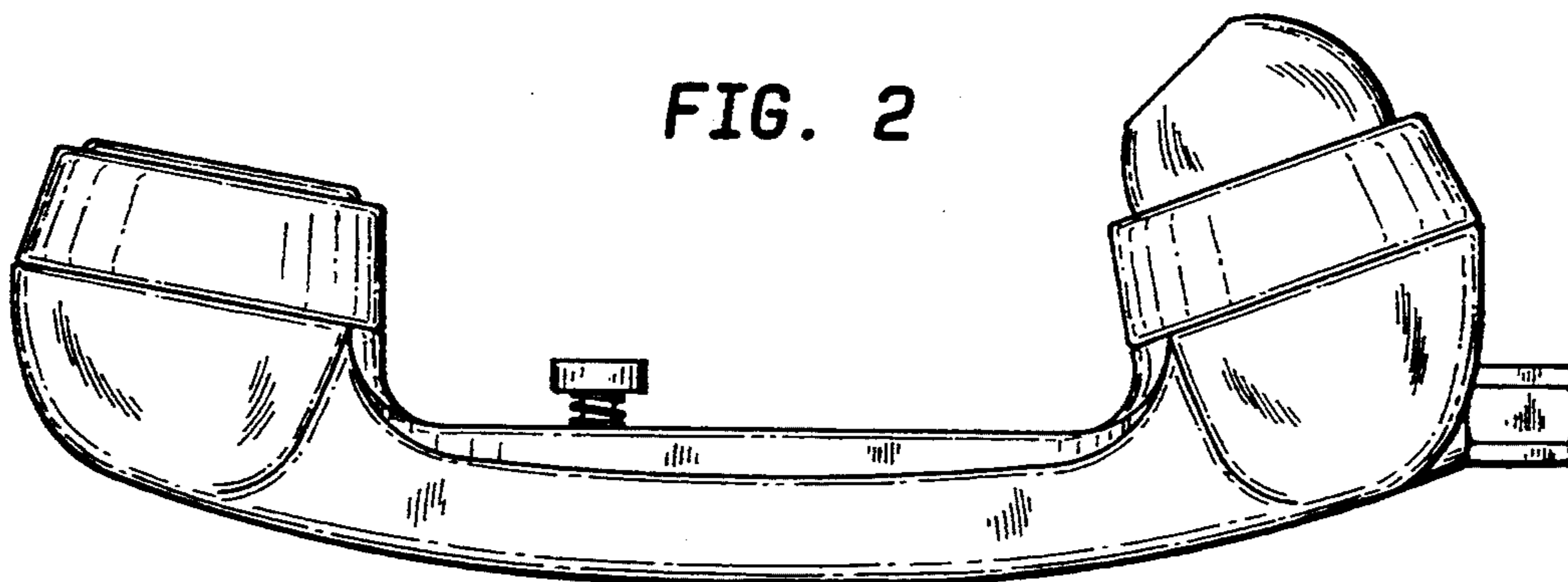
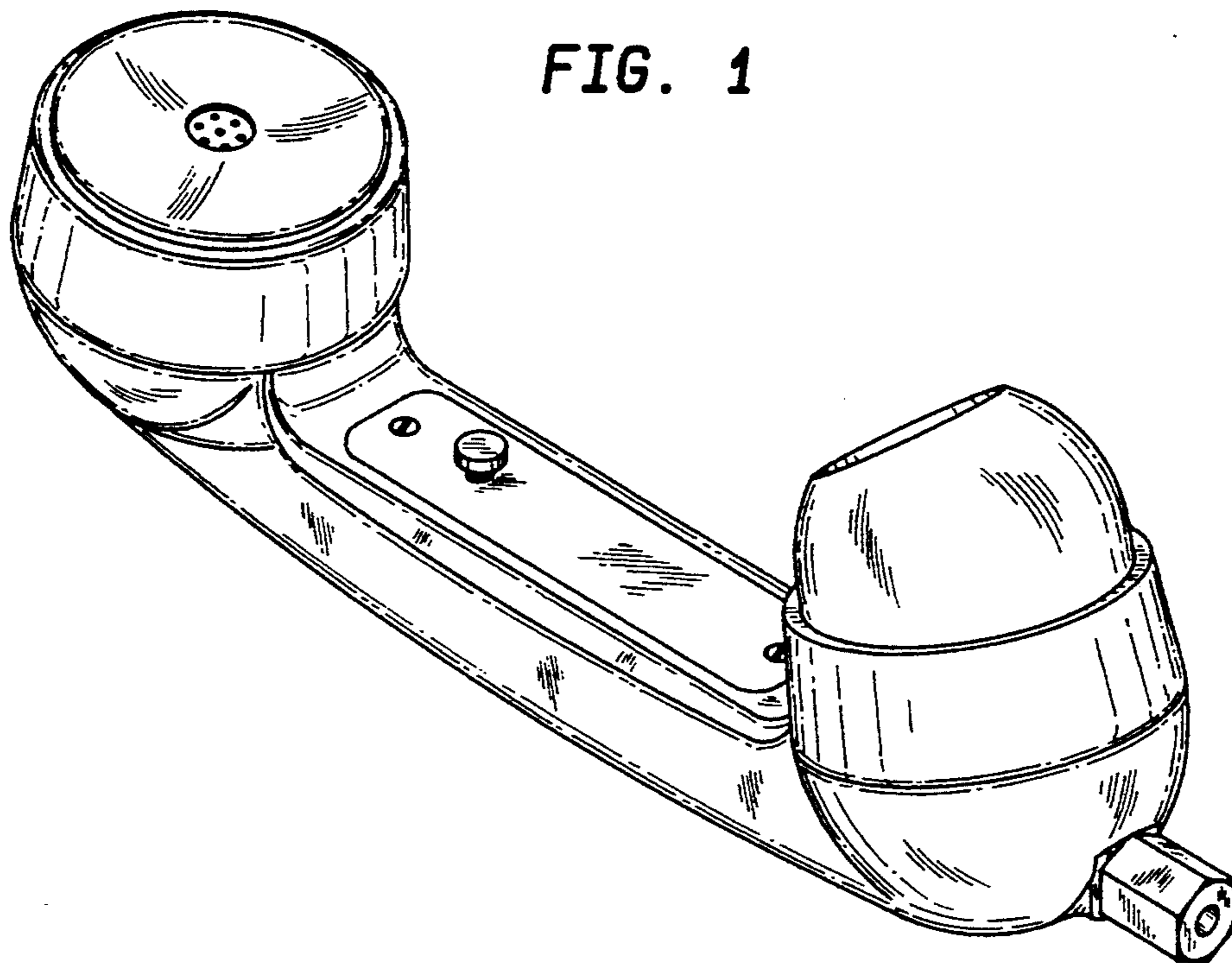


FIG. 4

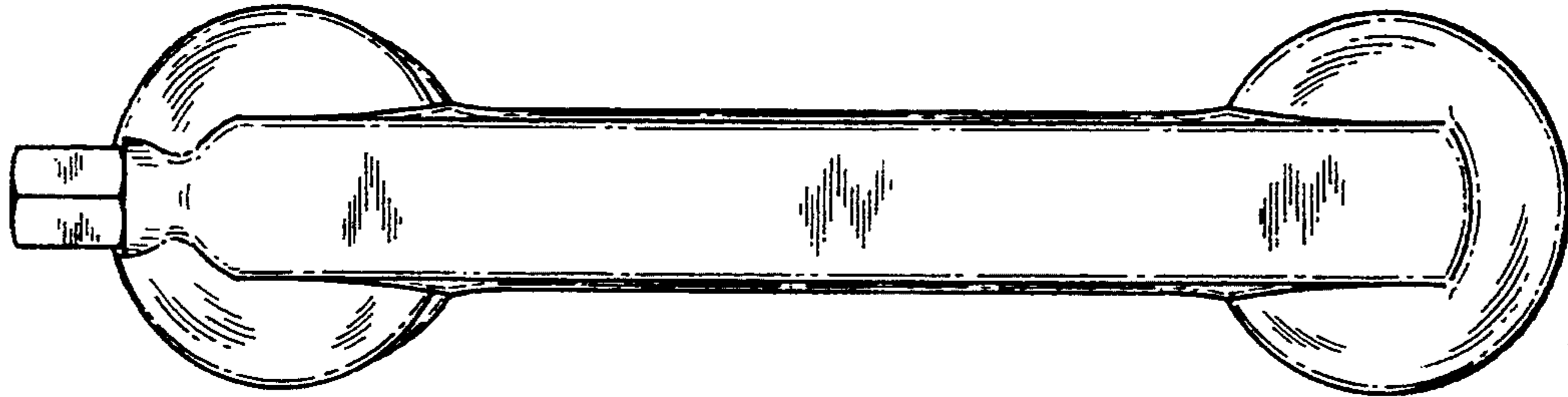


FIG. 5

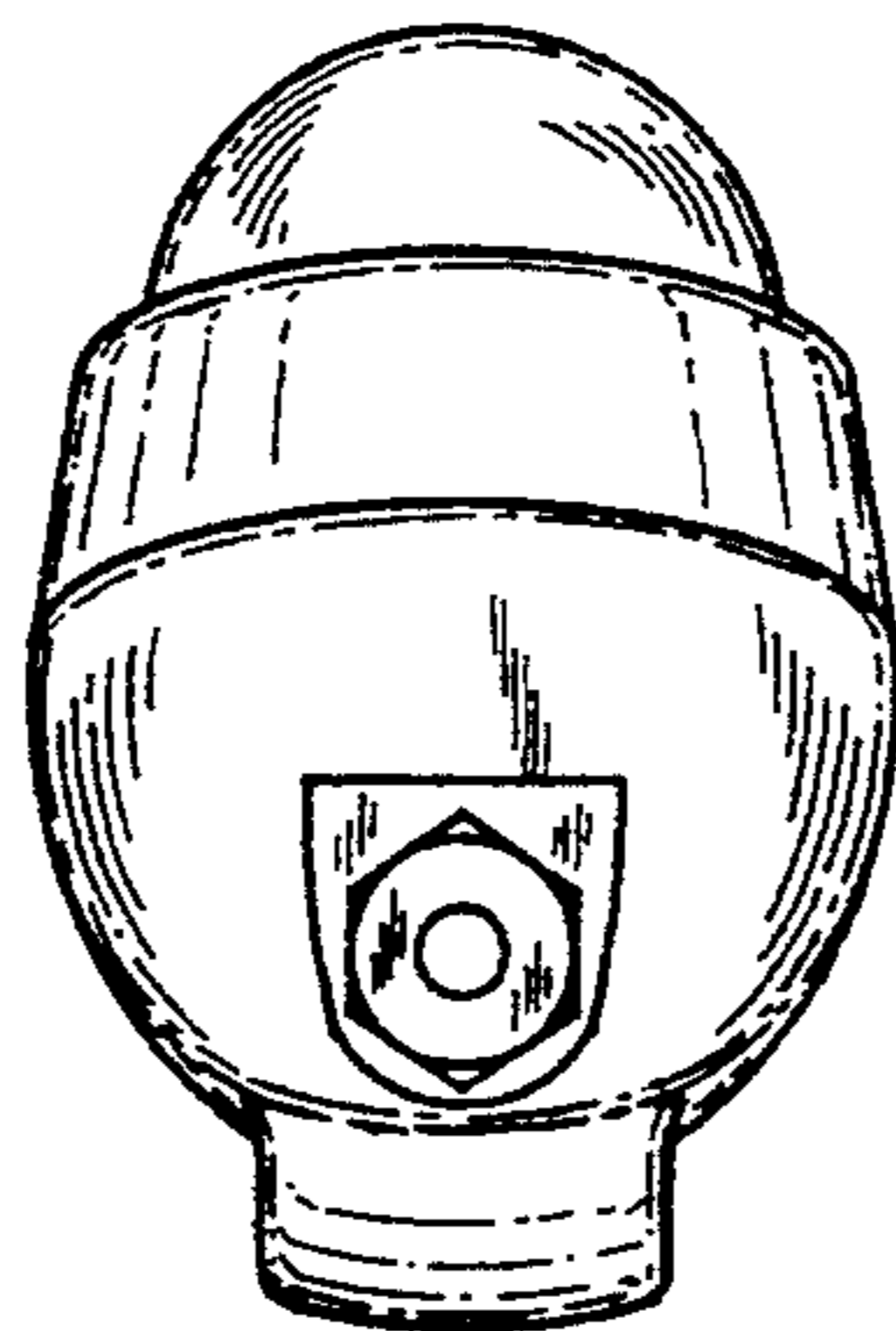


FIG. 6

