



US00D356311S

United States Patent [19]

[11] Patent Number: **Des. 356,311**

Ito et al.

[45] Date of Patent: **** Mar. 14, 1995**

[54] **COMBINED AUDIO MIXER AND TAPE RECORDER**

[75] Inventors: **Masafumi Ito, Tokyo; Shigeru Hasegawa, Kodaira; Katsuhiro Takashima, Urawa; Yasunobu Shimizu, Tokorozawa, all of Japan**

[73] Assignee: **Teac Corporation, Tokyo, Japan**

[**] Term: **14 Years**

[21] Appl. No.: **4,175**

[22] Filed: **Jan. 28, 1993**

[30] **Foreign Application Priority Data**

Jul. 29, 1992 [JP] Japan 4-22798

[52] U.S. Cl. **D14/162; D14/217**

[58] Field of Search **D14/124, 160-168, D14/188-190, 192-198, 217, 257, 260, 299; 455/344, 347-351; 381/107, 57, 119, 103; 379/202**

[56] **References Cited**

U.S. PATENT DOCUMENTS

D. 288,437	2/1987	Itoh et al.	D14/164
D. 291,196	8/1987	Ito et al.	D14/162
D. 325,204	4/1992	Ito et al.	D14/162
D. 326,454	5/1992	Ito et al.	D14/162

Primary Examiner—Theodore M. Shooman
Attorney, Agent, or Firm—Michael N. Meller

[57] **CLAIM**

The ornamental design for a combined audio mixer and tape recorder, as shown and described.

DESCRIPTION

FIG. 1 is a top, front and left side perspective view of a combined audio mixer and tape recorder showing our new design, in a state where the cassette door is opened; FIG. 2 is a top plan view thereof; FIG. 3 is an inverted rear elevational view thereof; FIG. 4 is a bottom plan view thereof; FIG. 5 is a front elevational view thereof; FIG. 6 is a left side elevational view thereof; and, FIG. 7 is a right side elevational view thereof.

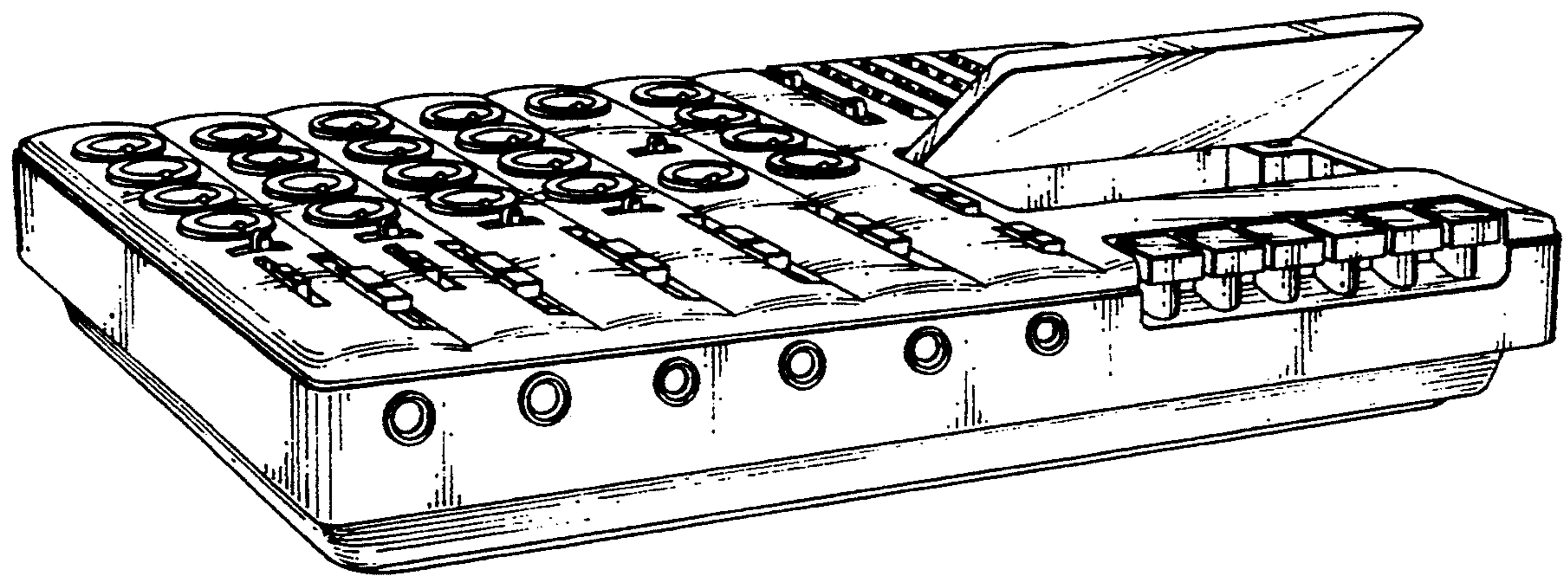


FIG. 1

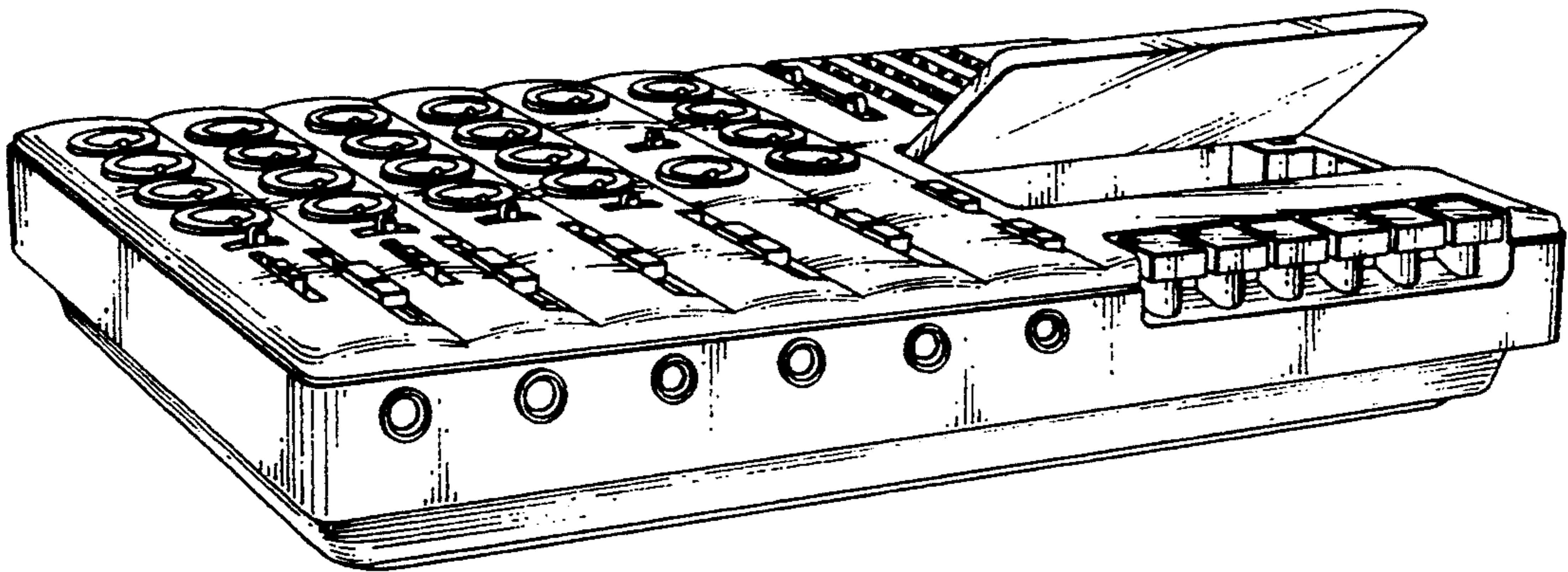


FIG. 2

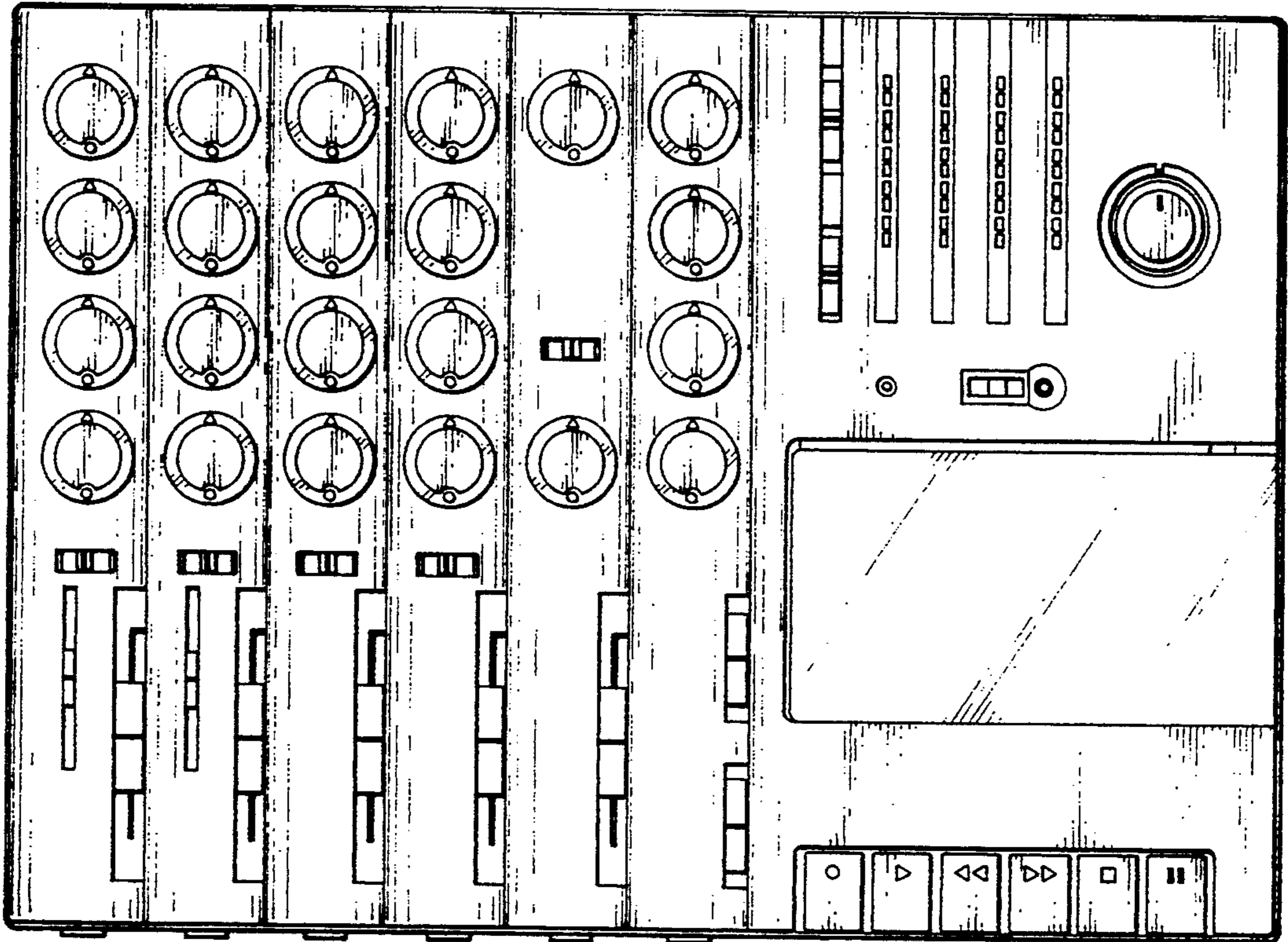


FIG. 3

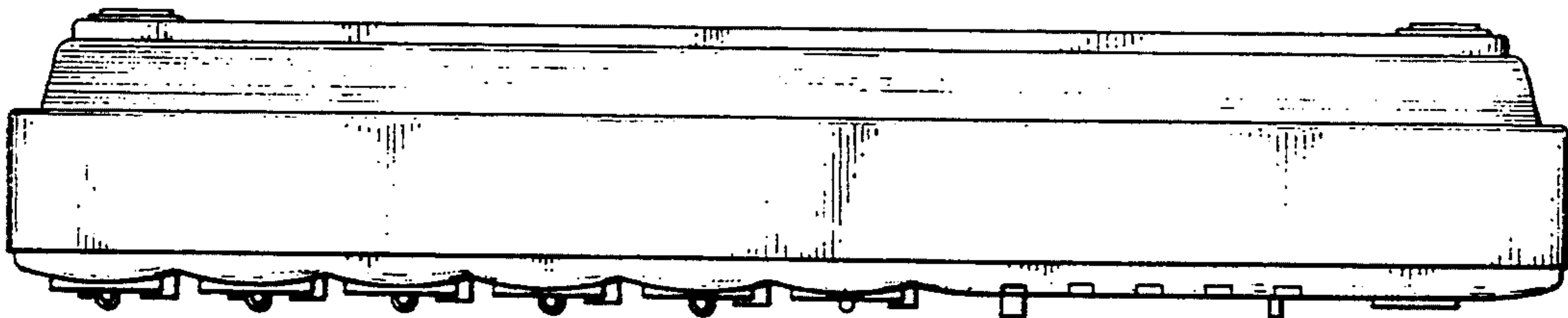


FIG. 4

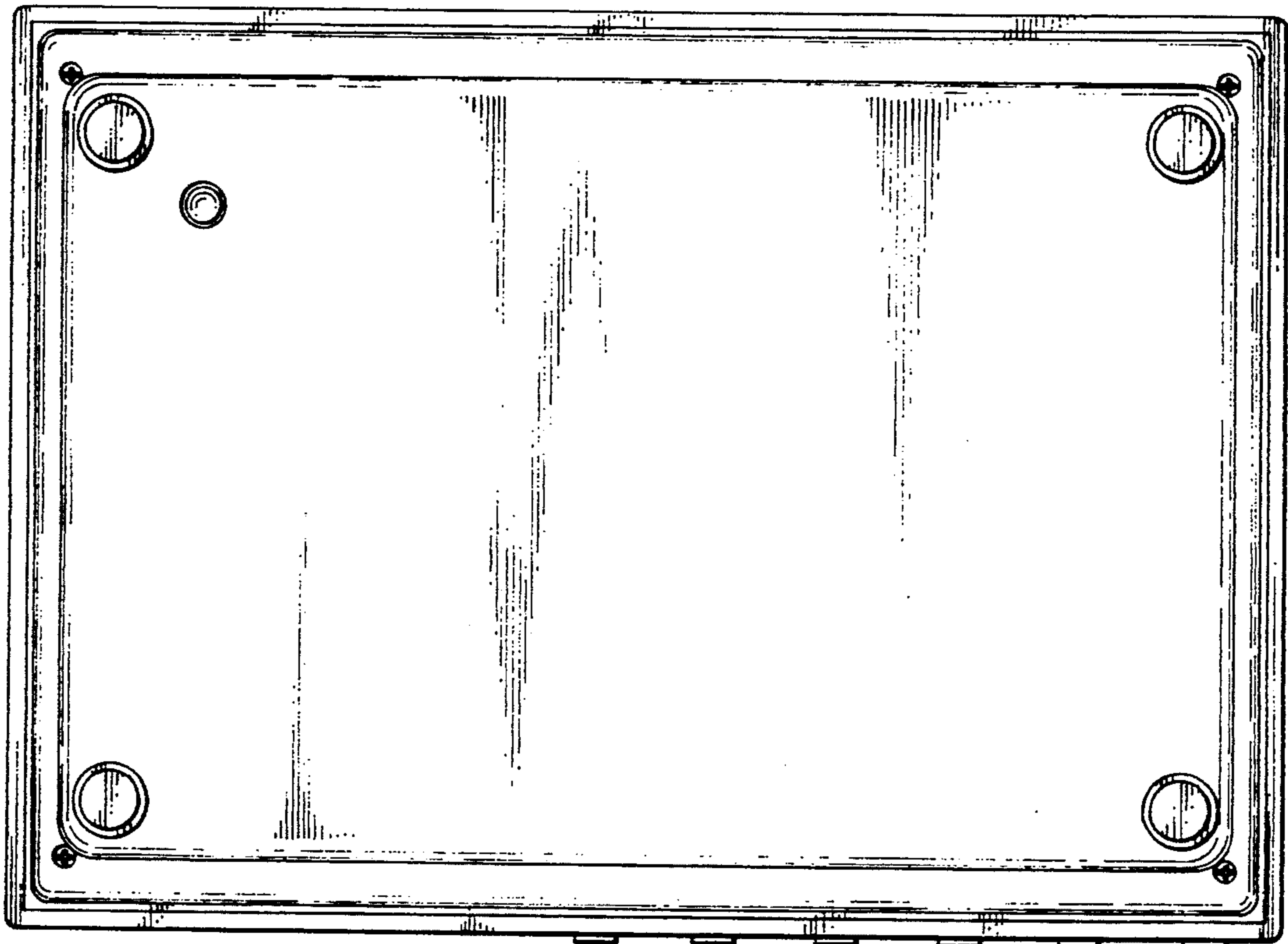


FIG. 5

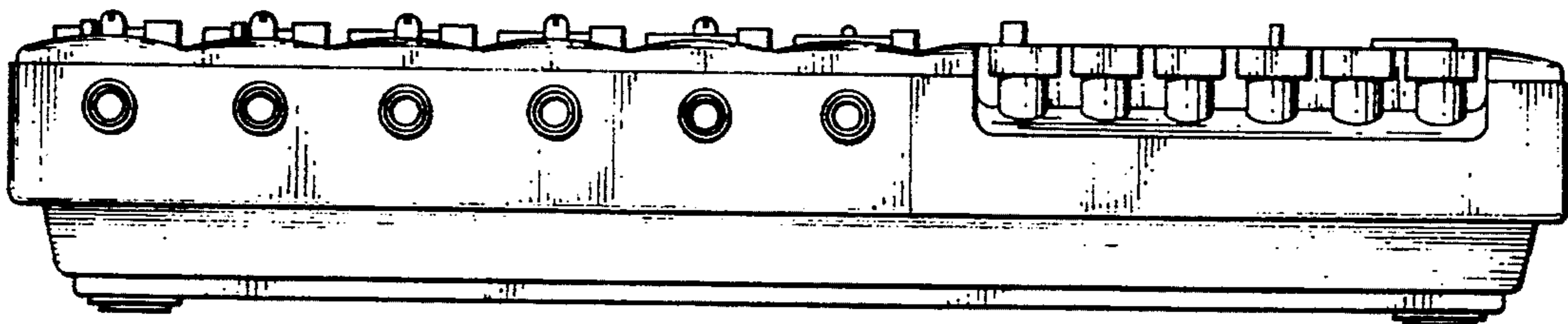


FIG. 6

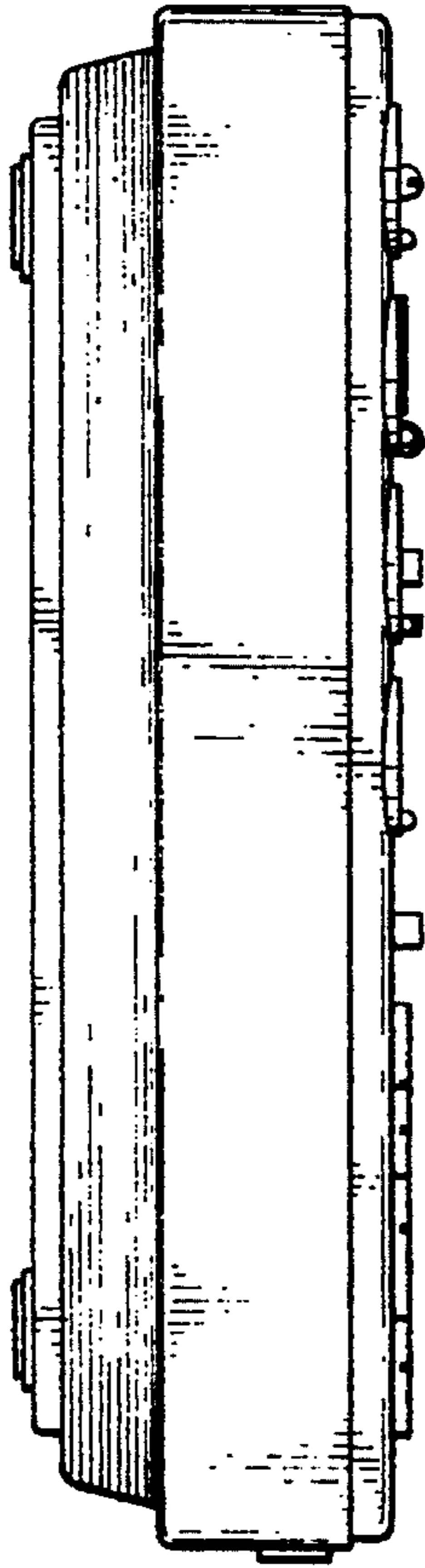


FIG. 7

