



US00D356308S

United States Patent [19]

[11] Patent Number: **Des. 356,308**

Culbertson

[45] Date of Patent: **** Mar. 14, 1995**

[54] **MOBILE RADIO WITH HANDLE**

[57] **CLAIM**

[75] Inventor: **Richard Culbertson, Lynchburg, Va.**

The ornamental design for a mobile radio with handle, as shown and described.

[73] Assignee: **Ericsson GE Mobile Communications Inc., Lynchburg, Va.**

DESCRIPTION

[**] Term: **14 Years**

FIG. 1 is a top plan view of a mobile radio with handle according to my design with the handle in an extended position;

[21] Appl. No.: **6,173**

FIG. 2 is a front elevational view thereof;

[22] Filed: **Mar. 23, 1993**

FIG. 3 is a left side elevational view thereof;

[52] U.S. Cl. **D14/137; D14/257**

FIG. 4 is a right side elevational view thereof;

[58] Field of Search **D14/124, 137, 157, 217, D14/257, 258, 299; 455/73, 89-90, 128, 345-347**

FIG. 5 is a rear elevational view thereof;

FIG. 6 is a bottom plan view thereof;

FIG. 7 is a view similar to FIG. 1 illustrating a further form of mobile radio with handle;

FIG. 8 is a front elevational view thereof;

FIG. 9 is a left side elevational view thereof;

FIG. 10 is a right side elevational view thereof;

FIG. 11 is a rear elevational view thereof;

FIG. 12 is a bottom plan view thereof;

FIG. 13 is a view similar to FIG. 3 illustrating the handle of the mobile radio in a latched position, the dashed lines illustrating the environment of a bracket for holding the mobile radio hereof and forming no part of the present design;

FIG. 14 is a front elevational view of the mobile radio illustrated in FIGS. 1-6 with the handle in a latched position; and,

FIG. 15 is a front elevational view of the embodiment hereof illustrated in FIGS. 7-12, with the handle in a latched position.

[56] References Cited

U.S. PATENT DOCUMENTS

D. 289,146	3/1987	Stoddard	D14/258
D. 300,635	4/1989	Dickson	D14/257
D. 308,057	5/1990	Tokiyama	D14/137
D. 317,307	6/1991	Kasparian et al.	D14/137
D. 321,512	11/1991	Kanari	D14/157
D. 327,262	6/1992	Goatman	D14/137
D. 334,744	4/1993	Tokiyama et al.	D14/137
D. 334,925	4/1993	Beaumont et al.	D14/257
D. 345,359	3/1994	Yamane	D14/157

Primary Examiner—Theodore M. Shooman
Attorney, Agent, or Firm—Nixon & Vanderhye

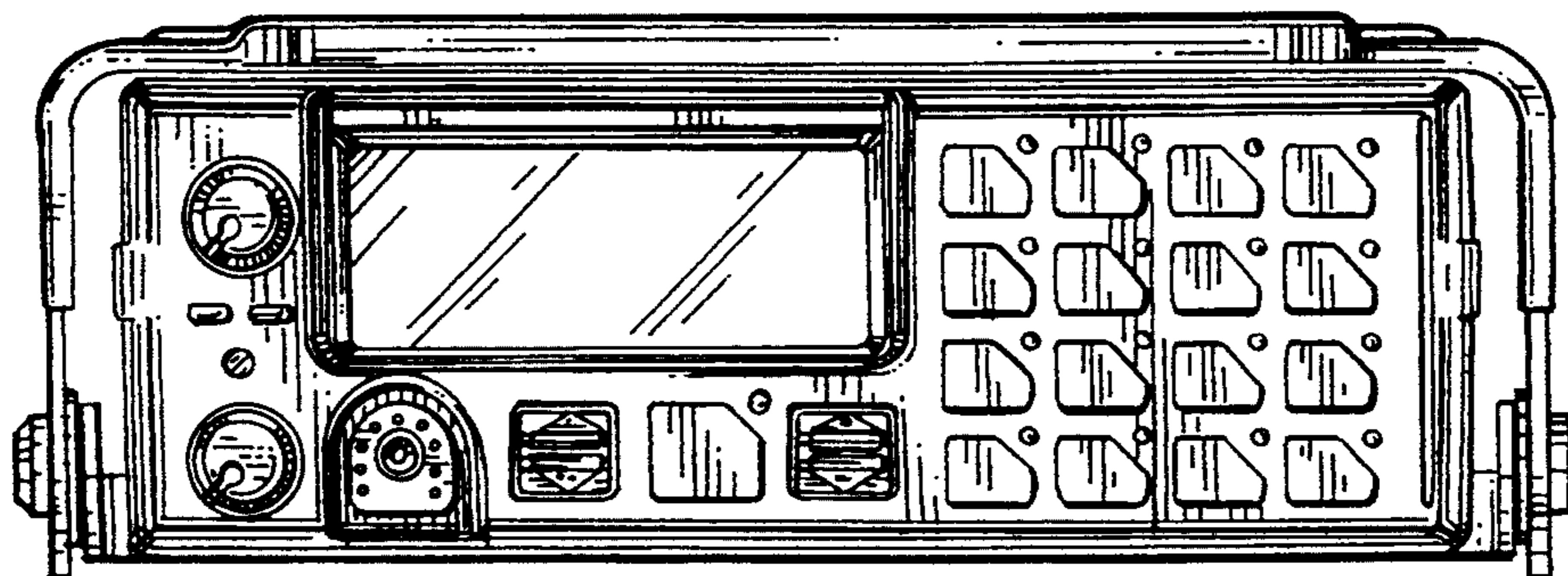
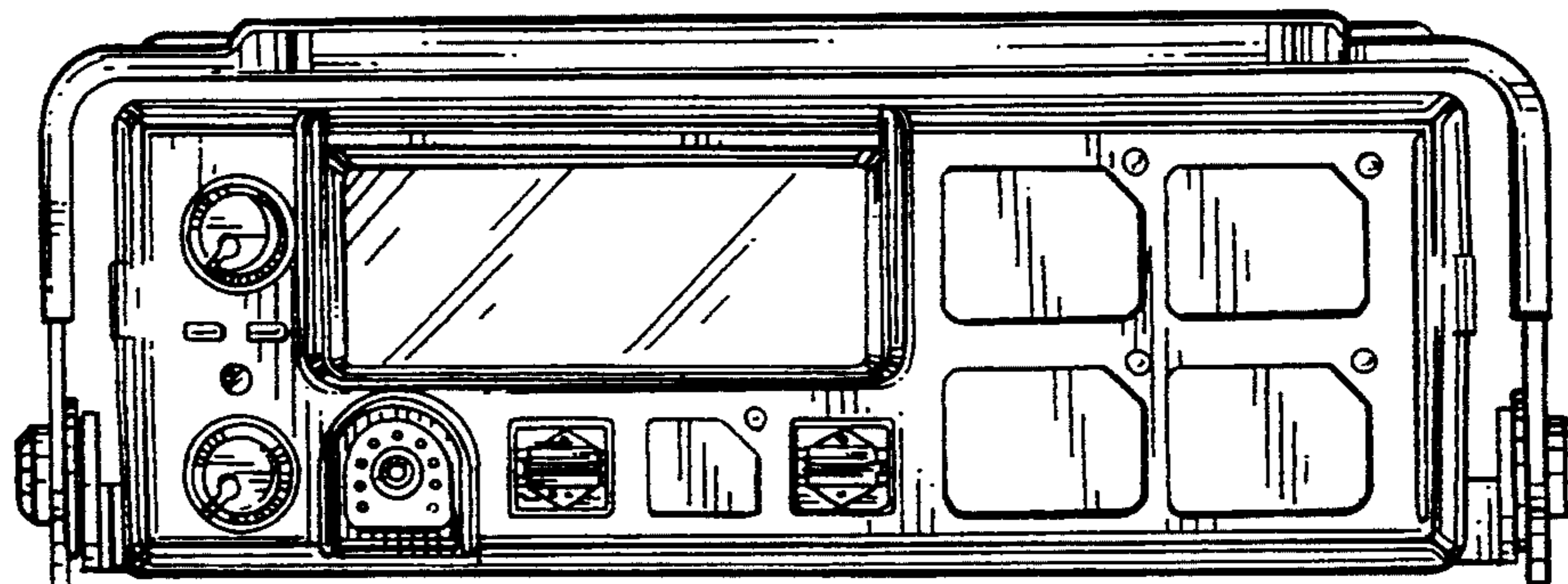


FIG. 1

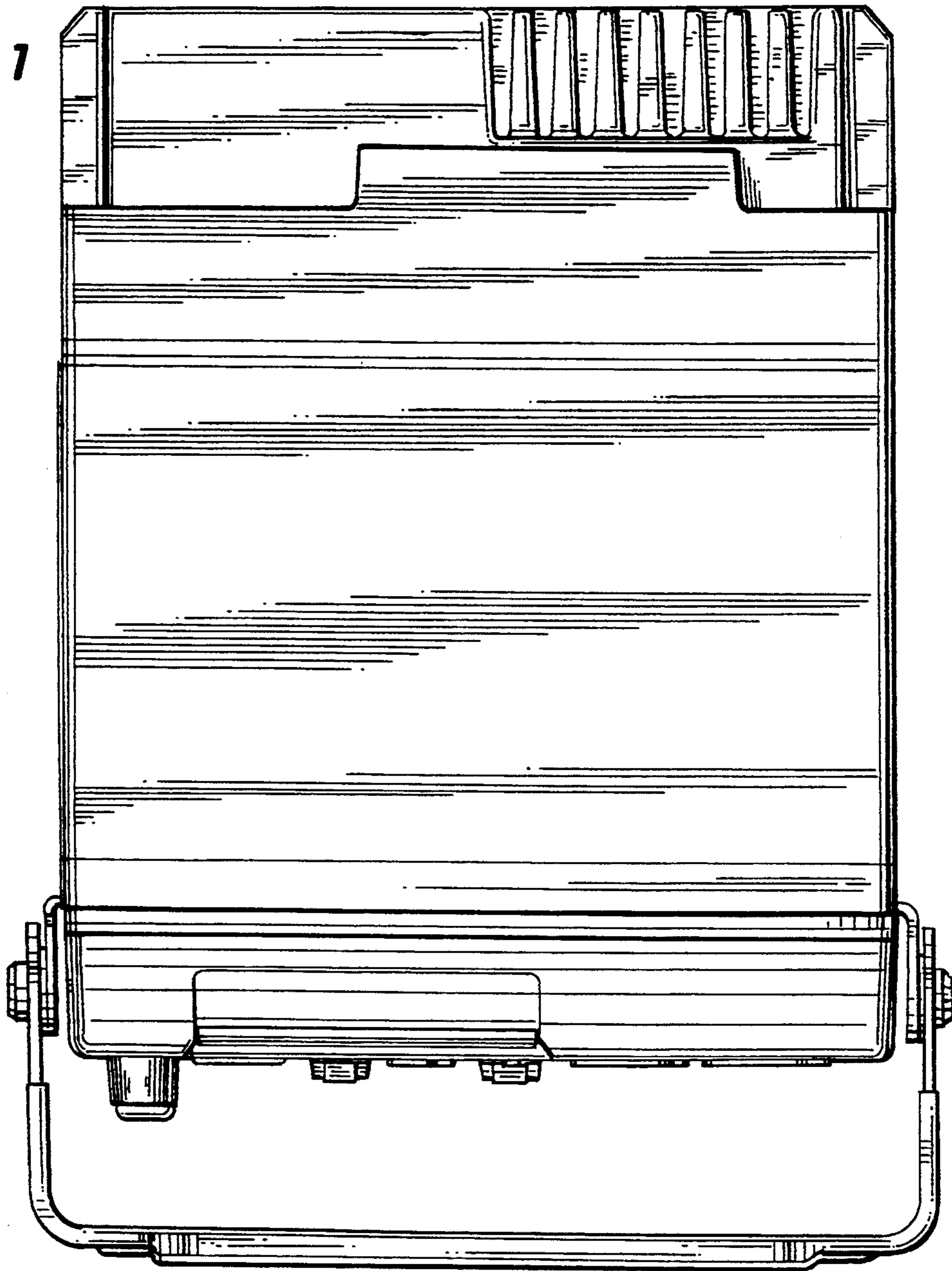
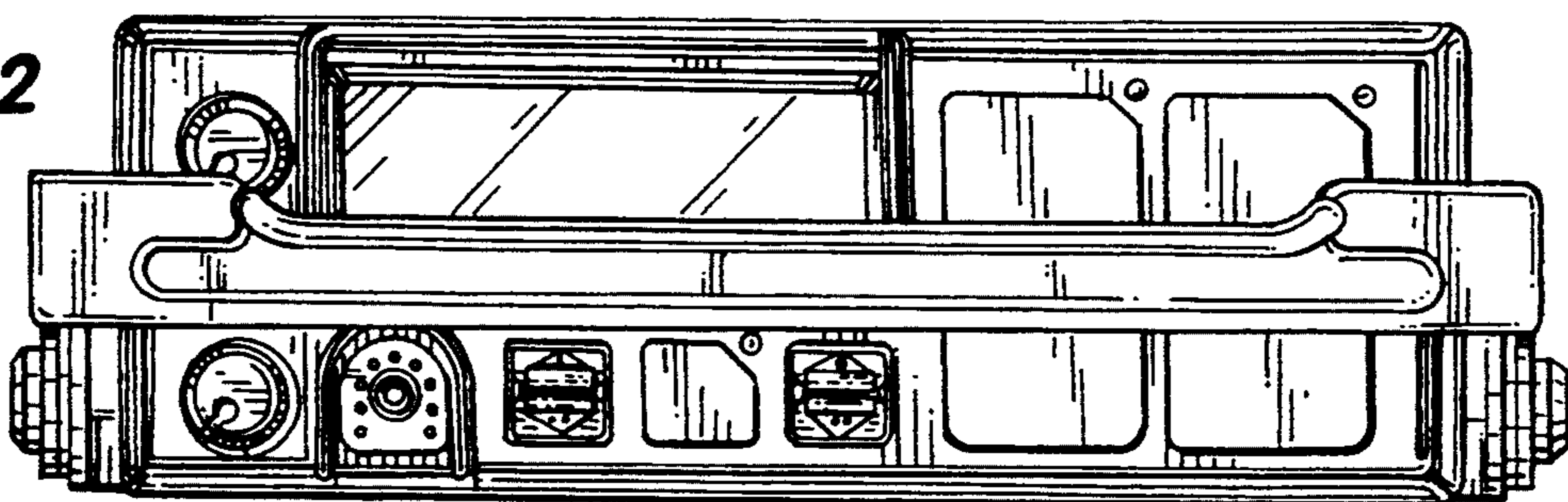


FIG. 2



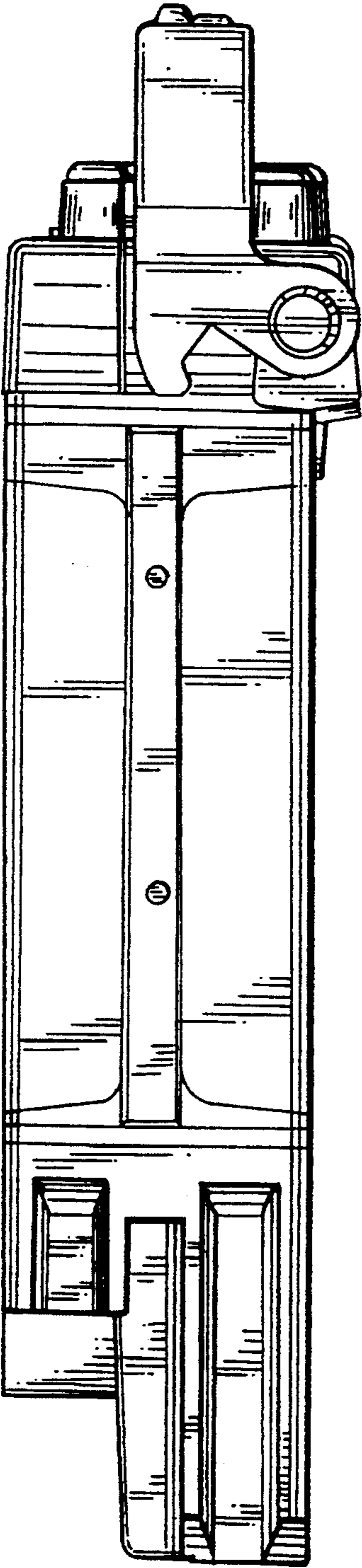


FIG. 3

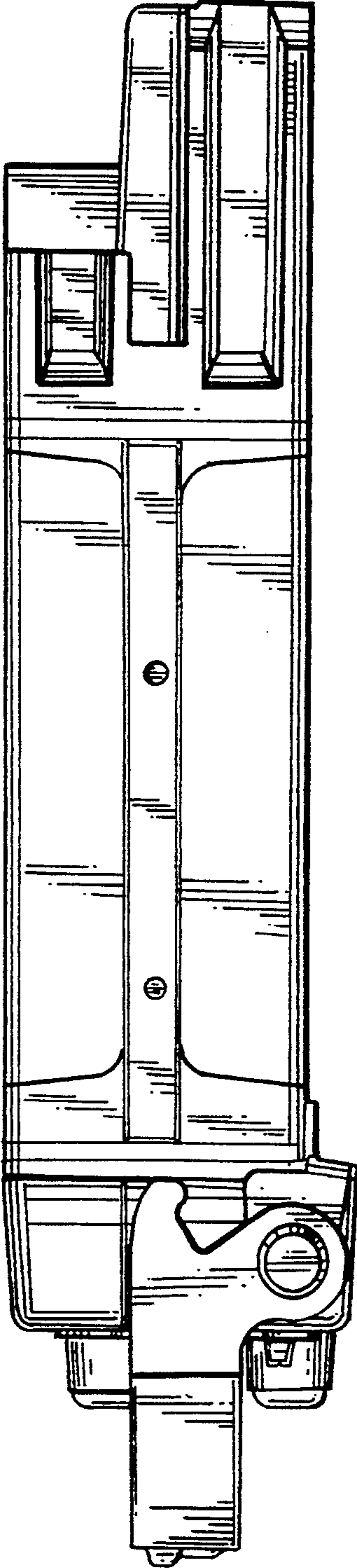


FIG. 4

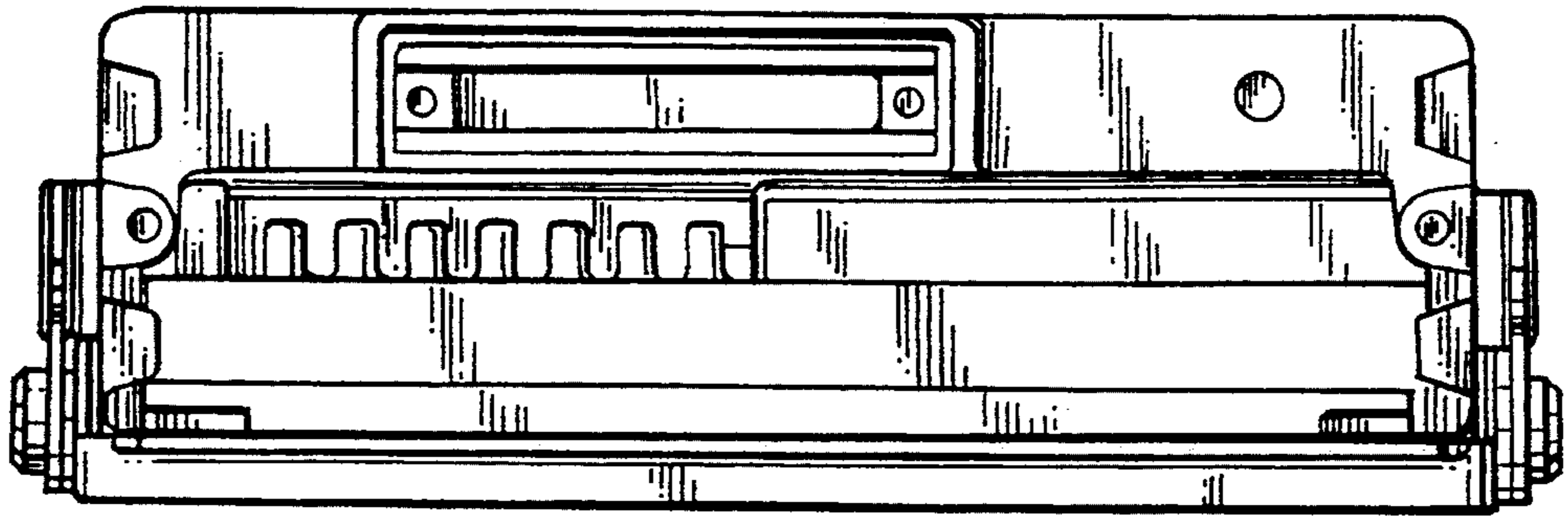


FIG. 5

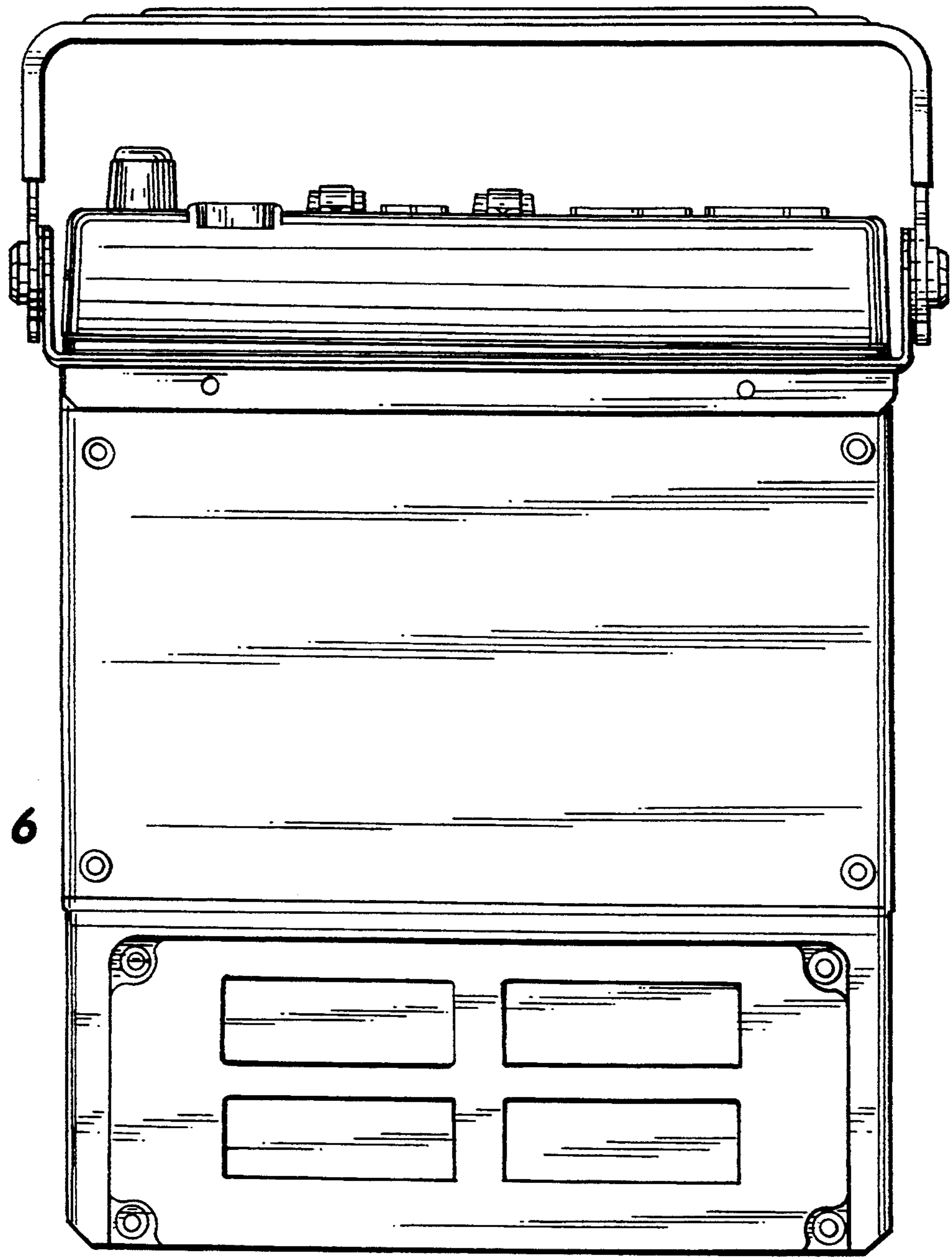


FIG. 6

FIG. 7

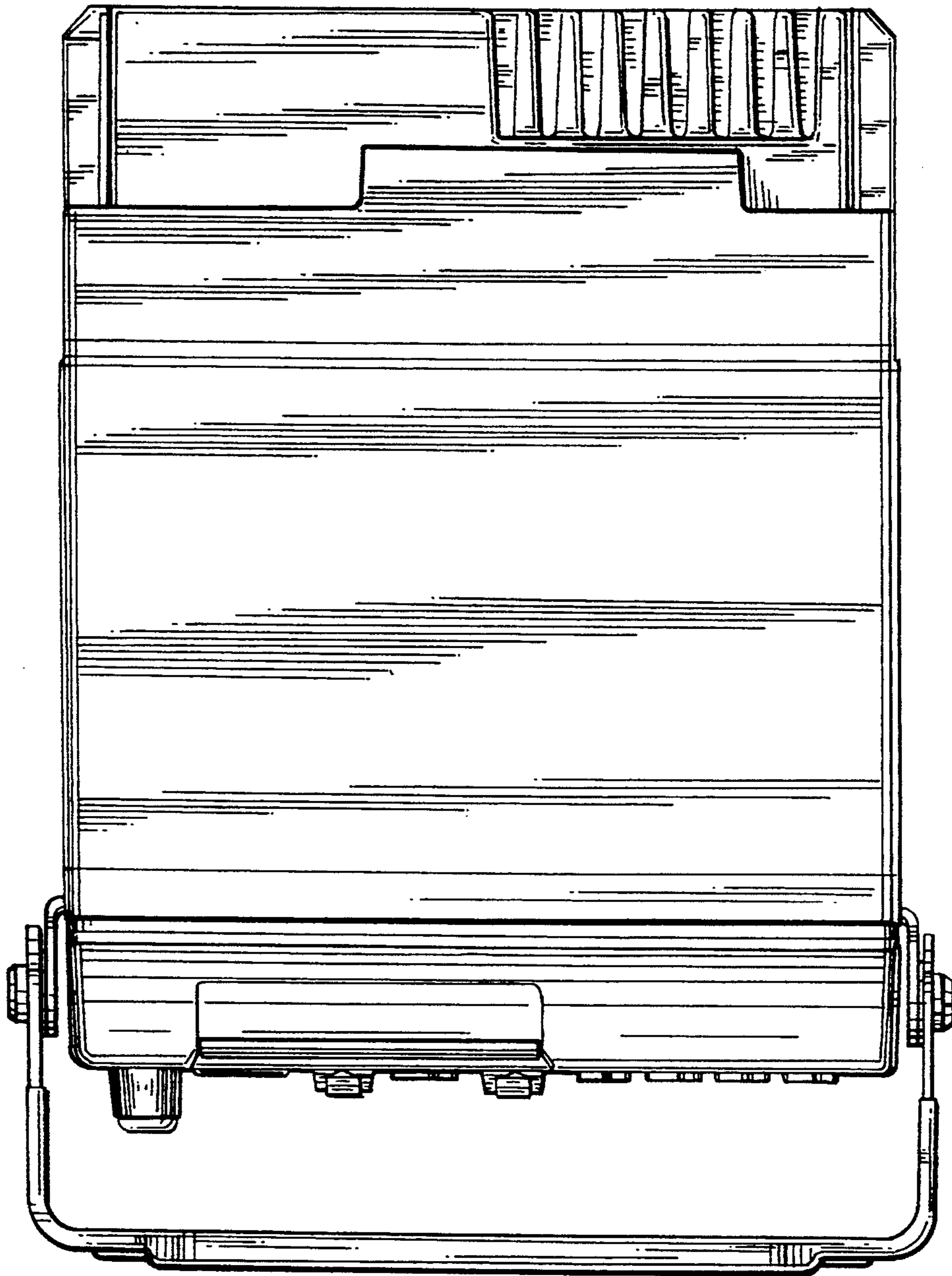


FIG. 8

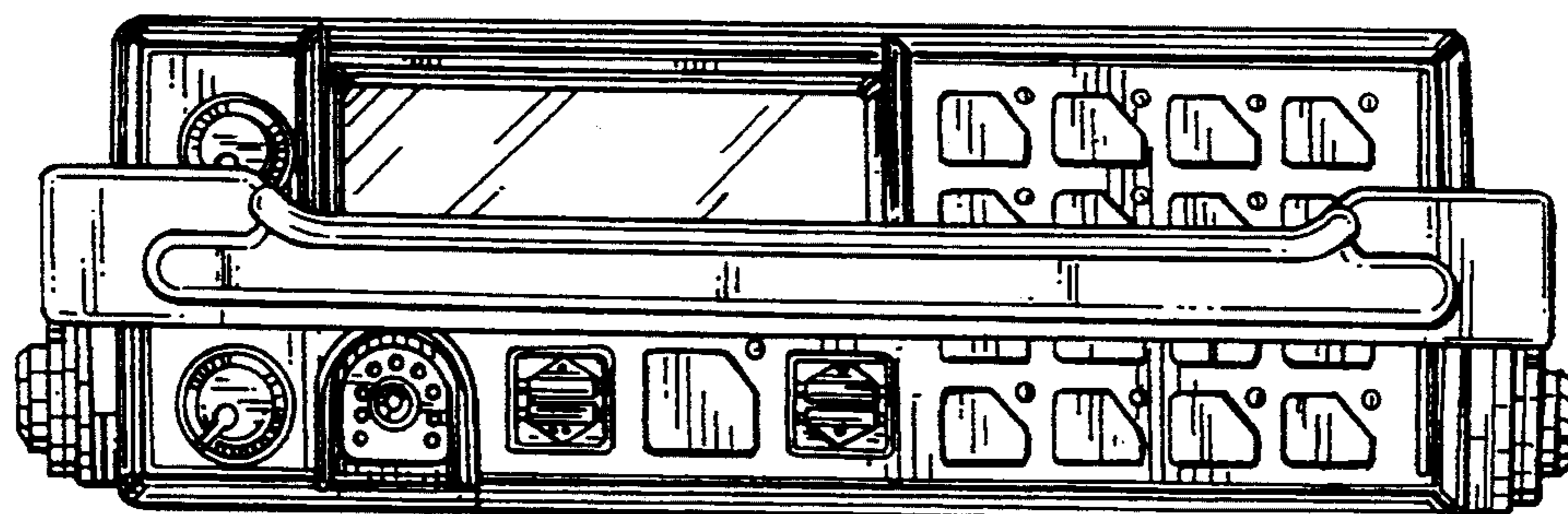




FIG. 9

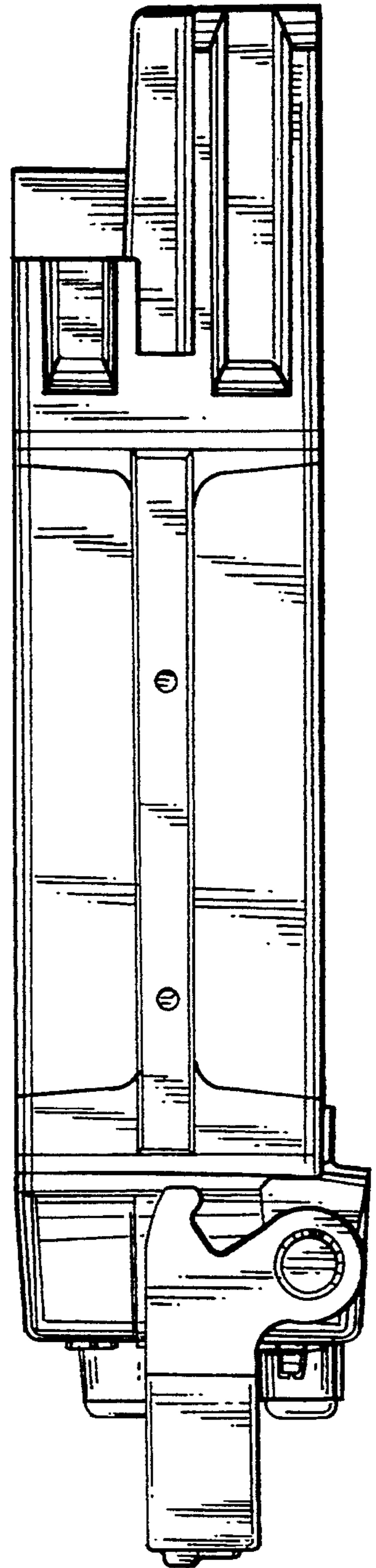


FIG. 10

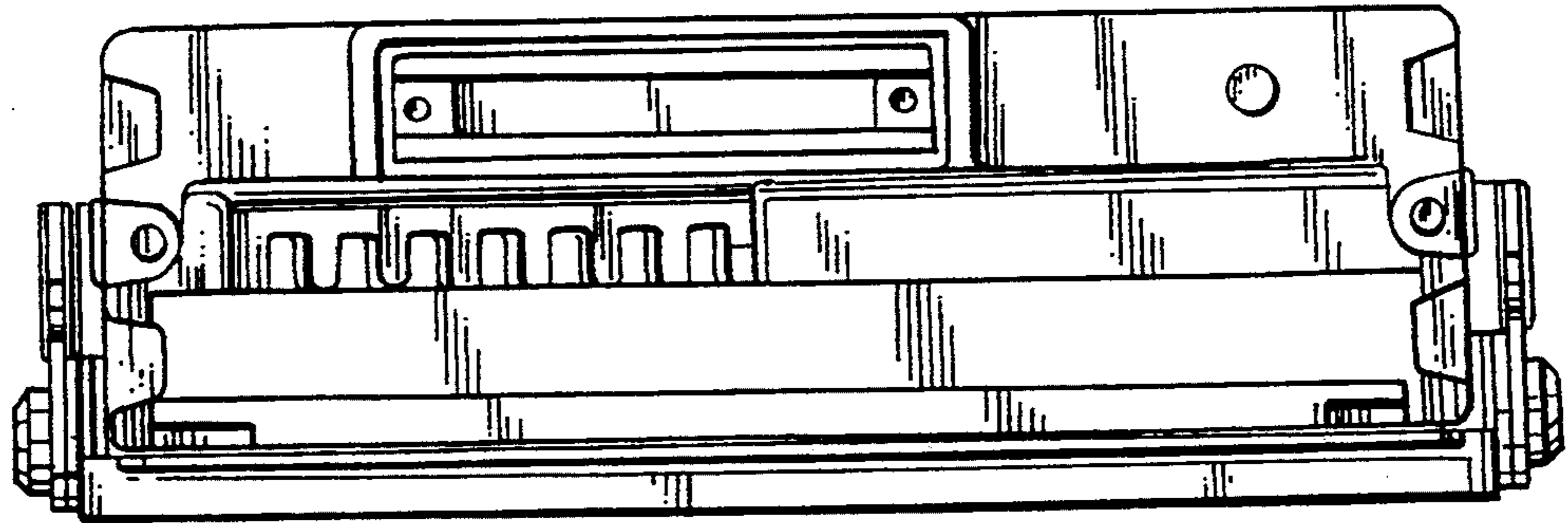


FIG. 11

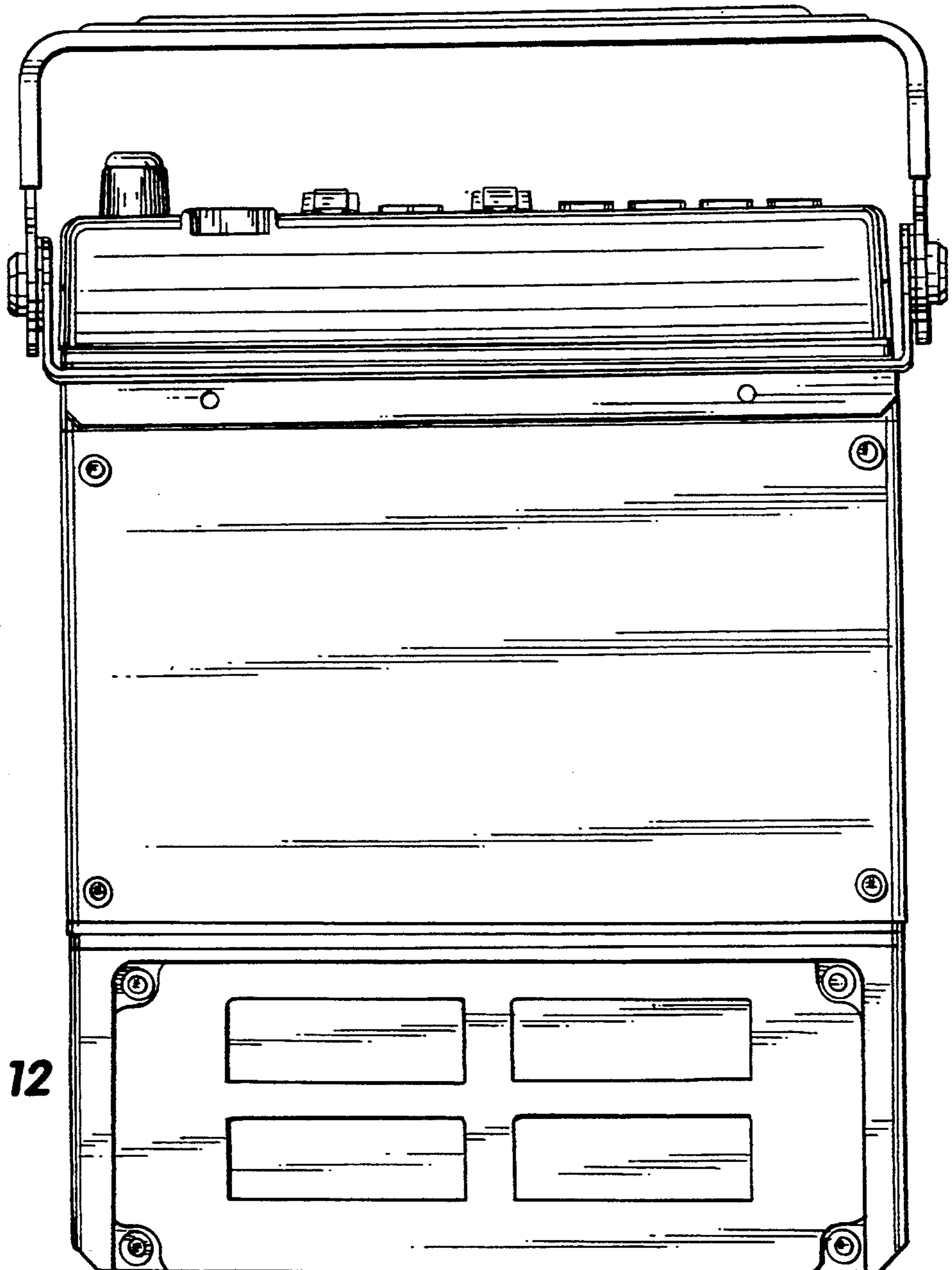


FIG. 12

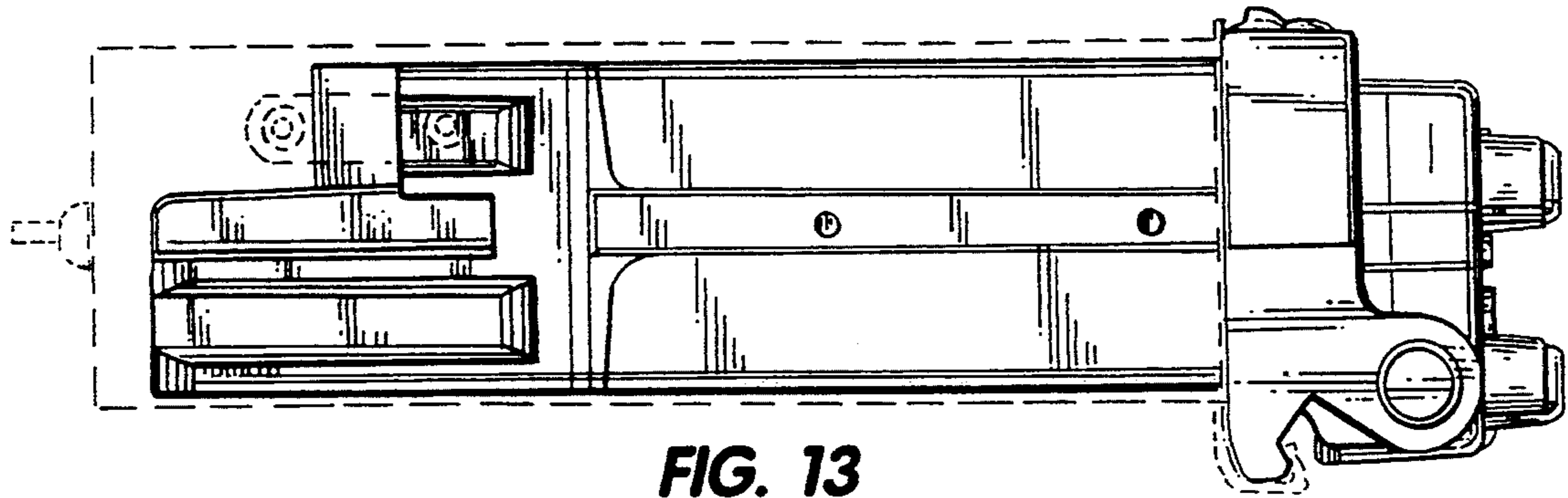


FIG. 13

FIG. 14

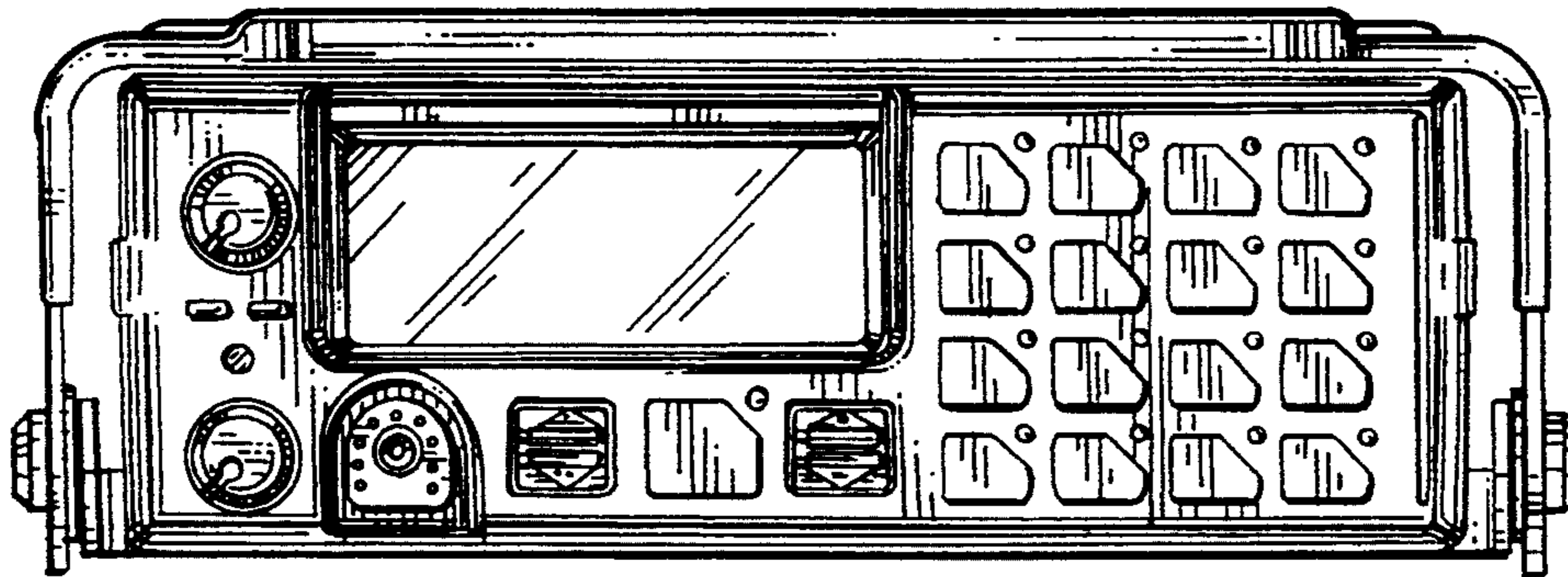
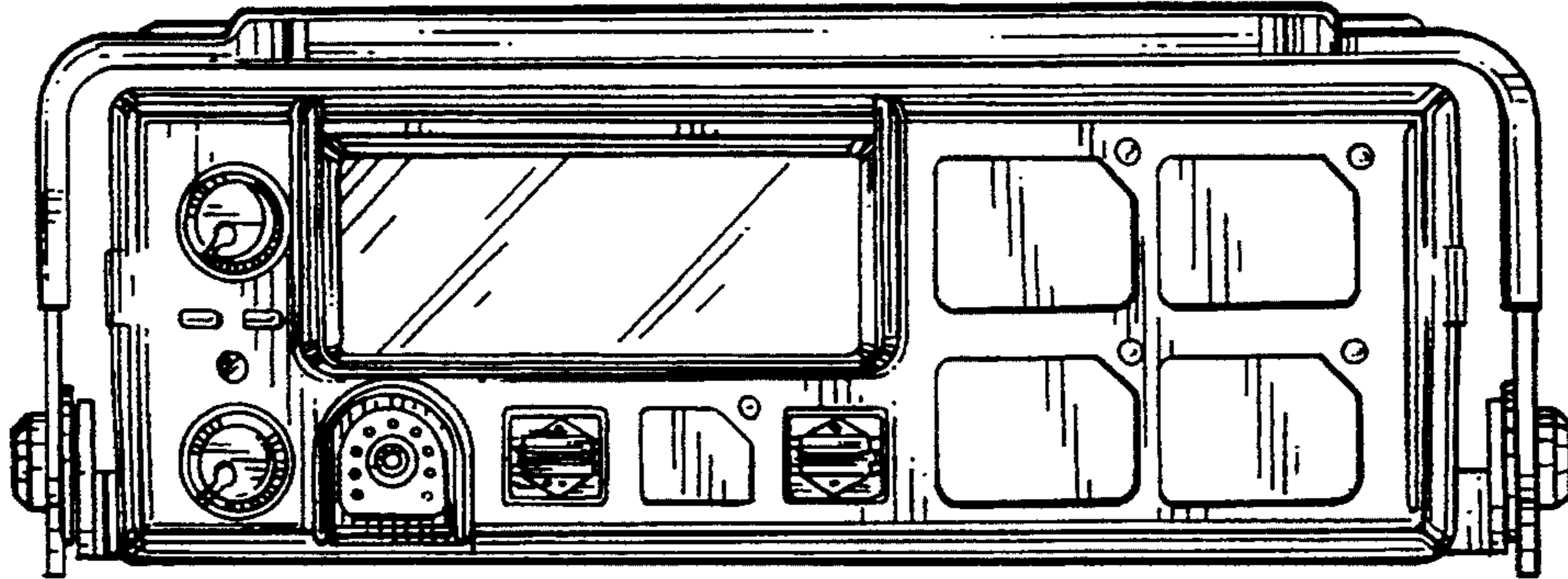


FIG. 15