



US00D356307S

United States Patent [19]

[11] Patent Number: **Des. 356,307**

Schoettle et al.

[45] Date of Patent: **** Mar. 14, 1995**

[54] **DETACHABLE FRONT ELEMENT FOR A MAGNETIC TAPE CASSETTE**

[58] Field of Search D14/114, 120-122, D14/299; 242/55.19 A, 197-200; 273/DIG. 28

[75] Inventors: **Klaus Schoettle, Heidelberg; Joachim Eberhard, Kippenheim; Kurt Schmidts, Schwanau; Bozidar Pavelka, Willstaett, all of Germany**

[56] **References Cited**

U.S. PATENT DOCUMENTS

D. 223,029	2/1972	Weiss et al.	D14/121
D. 258,585	3/1981	Yoshizawa	D14/121
D. 308,866	6/1990	Kinoshita et al.	D14/120 X
4,109,286	8/1978	Katsurayama et al.	242/198 X

[73] Assignee: **BASF Aktiengesellschaft, Ludwigshafen, Germany**

Primary Examiner—Theodore M. Shooman
Attorney, Agent, or Firm—Keil & Weinkauff

[**] Term: **14 Years**

[57] **CLAIM**

[21] Appl. No.: **13,020**

The ornamental design for a detachable front element for a magnetic tape cassette, as shown and described.

[22] Filed: **Sep. 16, 1993**

DESCRIPTION

Related U.S. Application Data

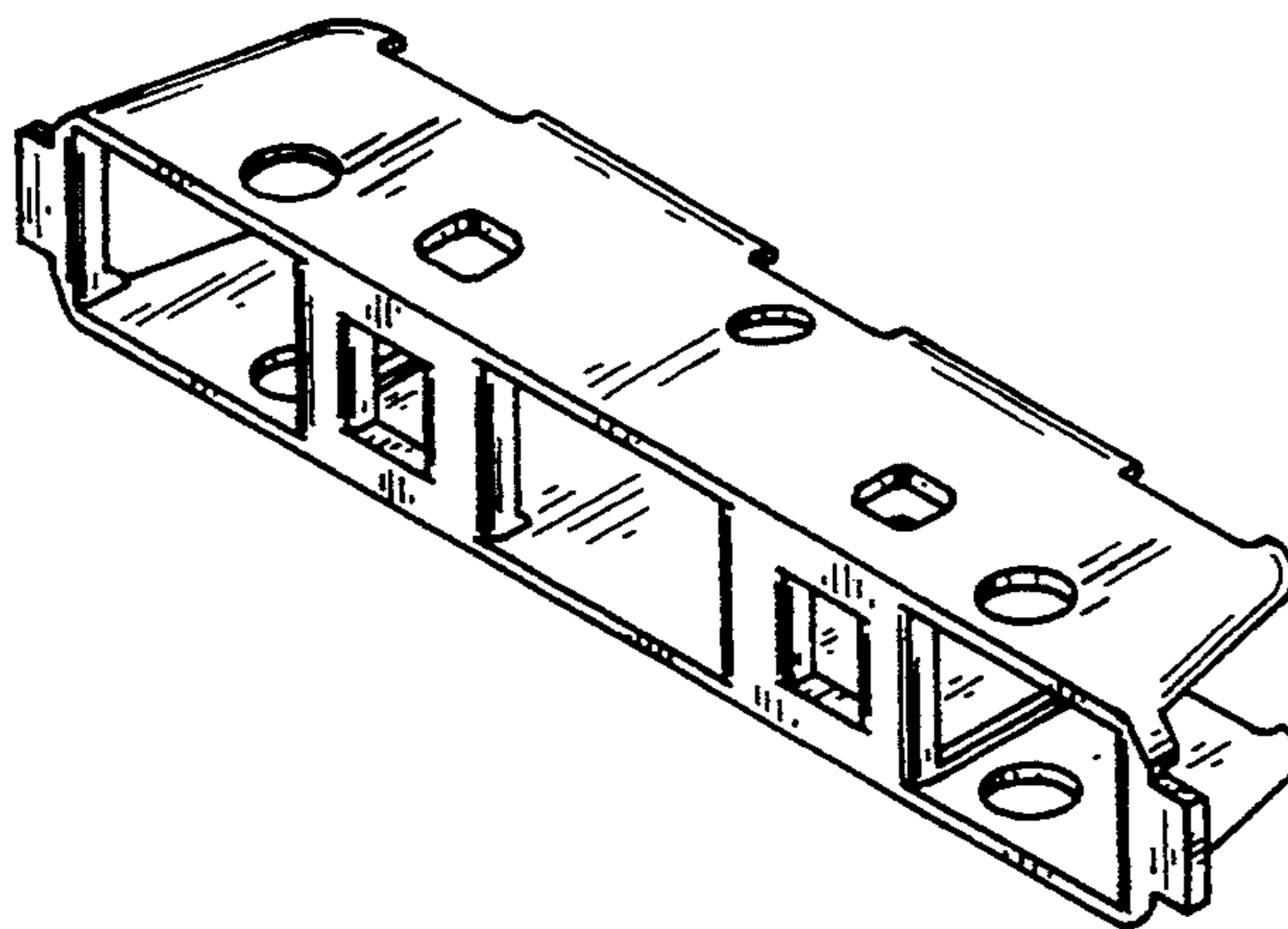
[62] Division of Ser. No. 728,065, Jul. 10, 1991, Pat. No. Des. 348,262.

FIG. 1 is a front, top and right side perspective view of a detachable front element for a magnetic tape cassette showing our new design;

Foreign Application Priority Data

Mar. 25, 1991 [WO] WIPO DM/19214
[52] U.S. Cl. **D14/121; D14/299**

FIG. 2 is a bottom plan view thereof;
FIG. 3 is a front elevational view thereof;
FIG. 4 is a rear elevational view thereof; and,
FIG. 5 is a left side elevational view thereof.



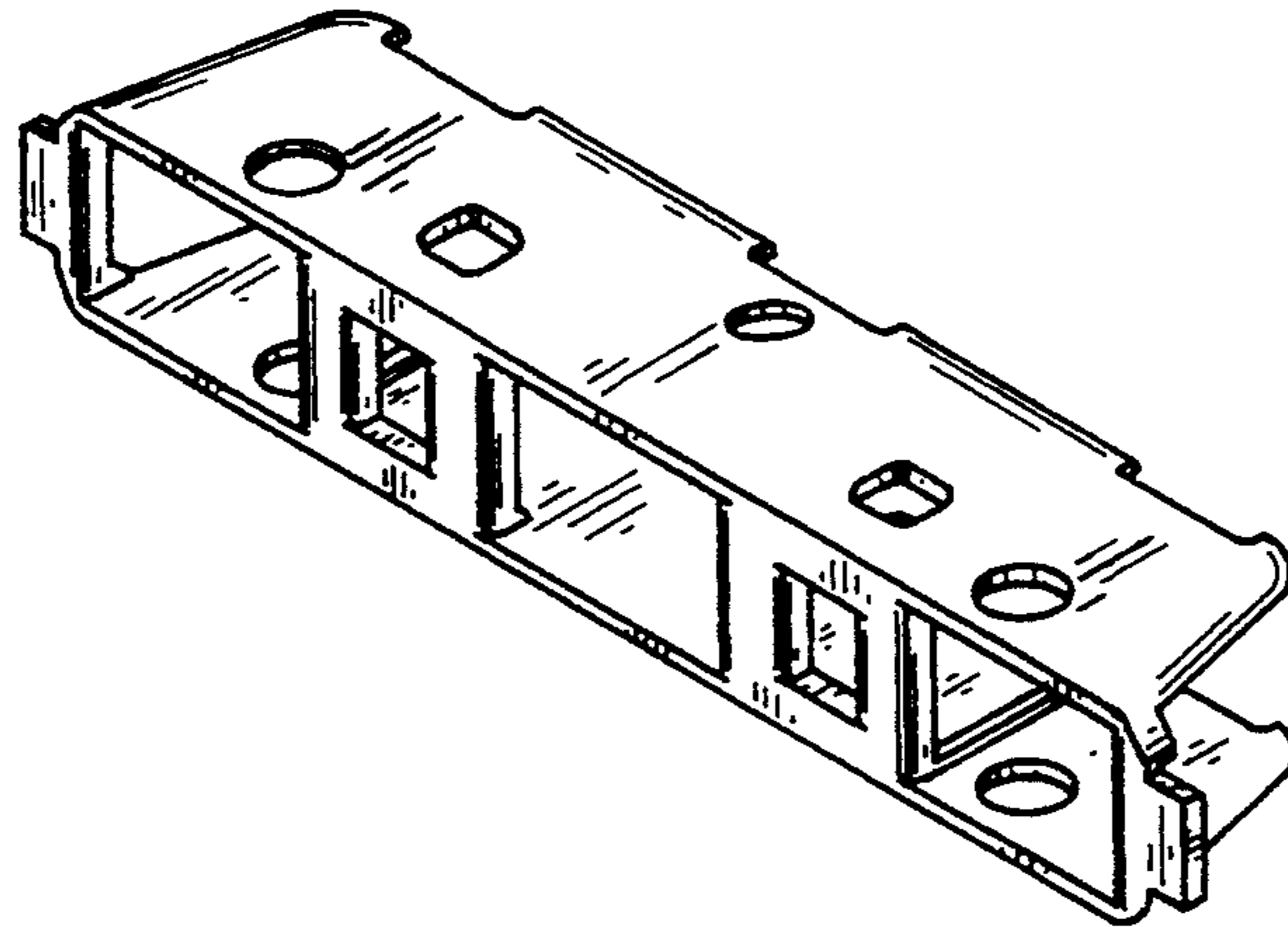


FIG. 1

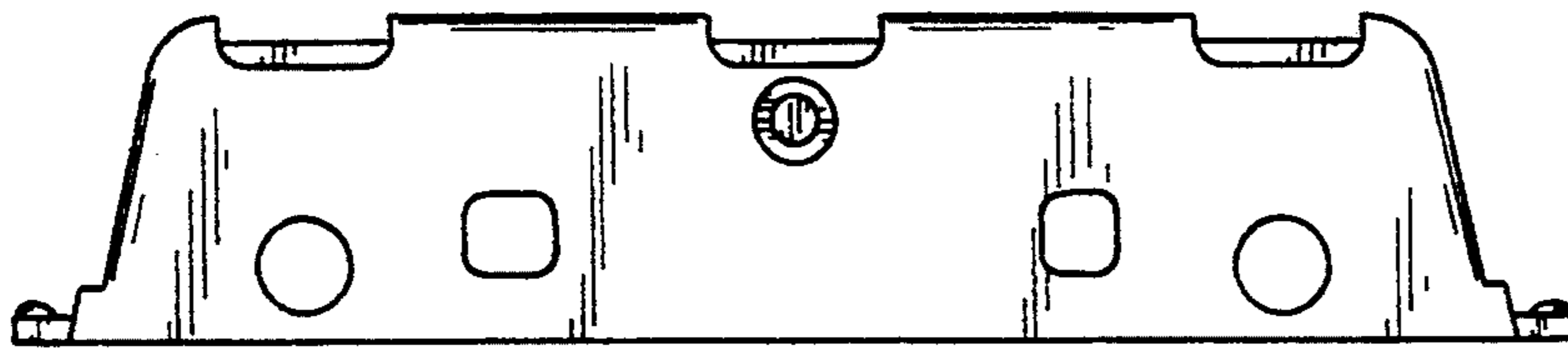


FIG. 2

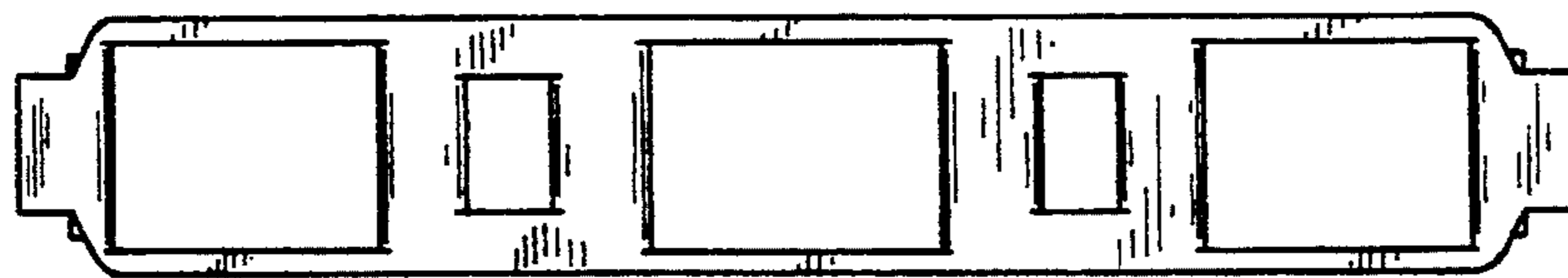


FIG. 3

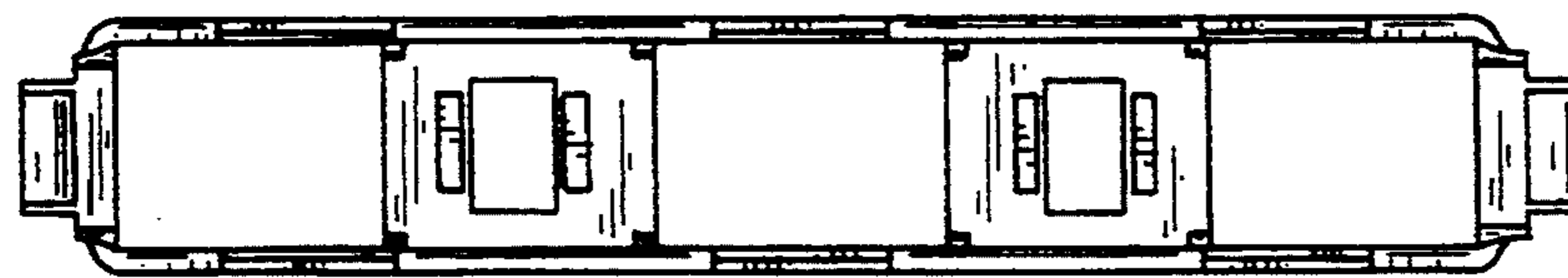


FIG. 4

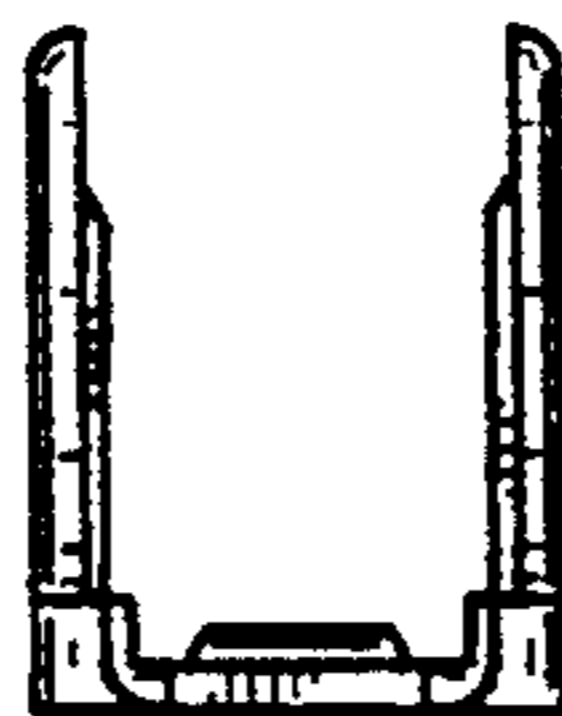


FIG. 5