



US00D356305S

# United States Patent [19]

[11] **Patent Number: Des. 356,305**

**Kikutani et al.**

[45] **Date of Patent: \*\* Mar. 14, 1995**

[54] **OPTICAL MAGNETIC DISC CARTRIDGE**

5,093,823 3/1992 Ouwerkerk et al. .... 206/444 X  
5,150,354 9/1992 Iwata et al. .... 206/444 X

[75] Inventors: **Fumitaka Kikutani; Haruo Hayashi,**  
both of Tokyo, Japan

*Primary Examiner*—James M. Gandy  
*Assistant Examiner*—M. H. Tung  
*Attorney, Agent, or Firm*—Jay H. Maioli

[73] Assignee: **Sony Corporation,** Tokyo, Japan

[\*\*] Term: **14 Years**

[57] **CLAIM**

[21] Appl. No.: **4,443**

The ornamental design for an optical magnetic disc cartridge, as shown and described.

[22] Filed: **Feb. 5, 1993**

**DESCRIPTION**

[30] **Foreign Application Priority Data**

Aug. 28, 1992 [JP] Japan ..... 4-25515

[52] **U.S. Cl.** ..... **D14/114**

[58] **Field of Search** ..... D14/100, 107, 114;  
360/60, 132-133, 135, 97.01-99.12; 206/312,  
444

FIG. 1 is a bottom, front and right-side perspective view of an optical magnetic disc cartridge, showing our new design;

FIG. 2 is a front elevational view thereof;

FIG. 3 is a front elevational view thereof, shown with the shutter in the opened position;

FIG. 4 is a rear elevational view thereof;

FIG. 5 is a rear elevational view thereof, shown with the shutter in the opened position;

FIG. 6 is a left-side elevational view thereof;

FIG. 7 is a right-side elevational view thereof;

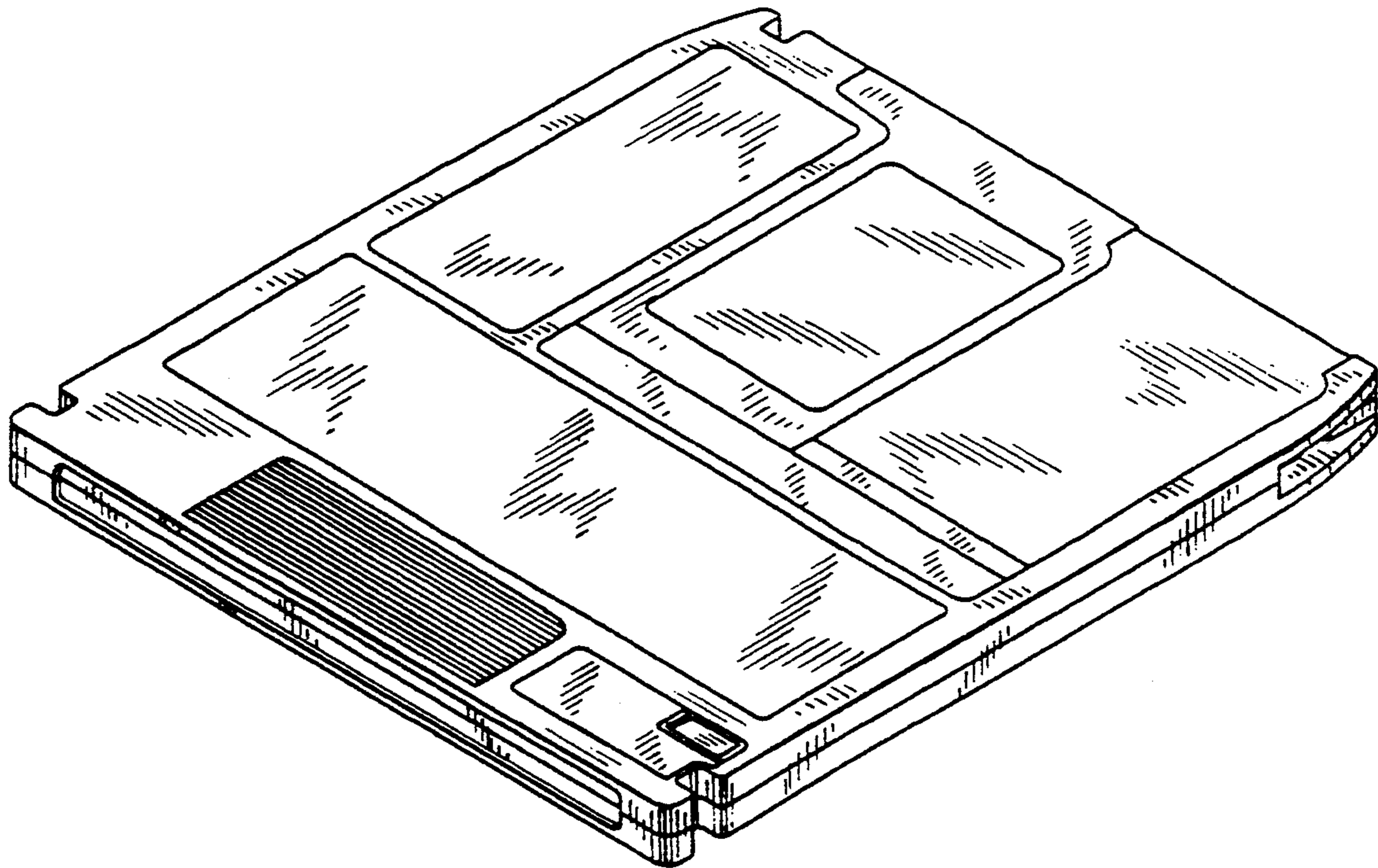
FIG. 8 is a top plan view thereof; and,

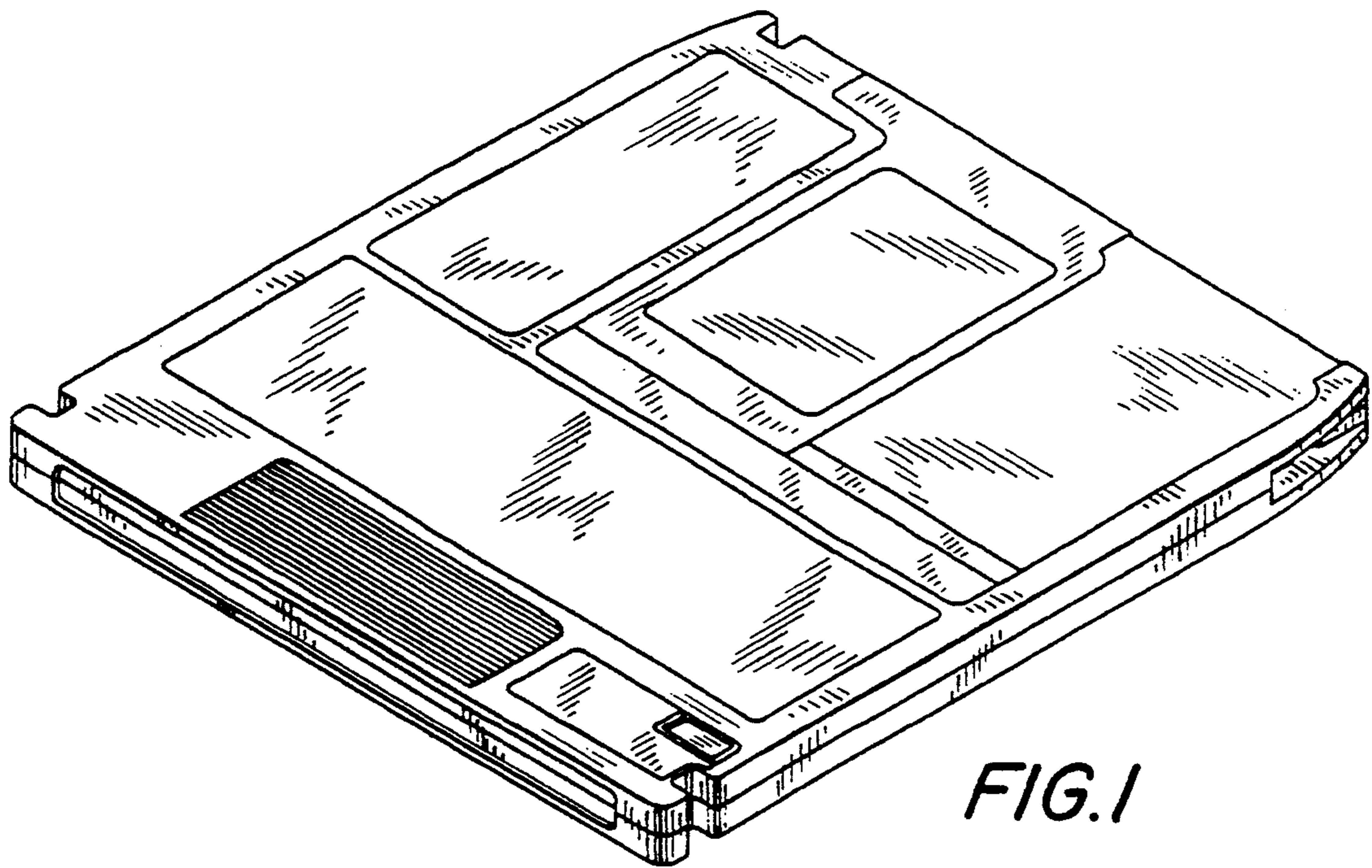
FIG. 9 is a bottom plan view thereof.

[56] **References Cited**

**U.S. PATENT DOCUMENTS**

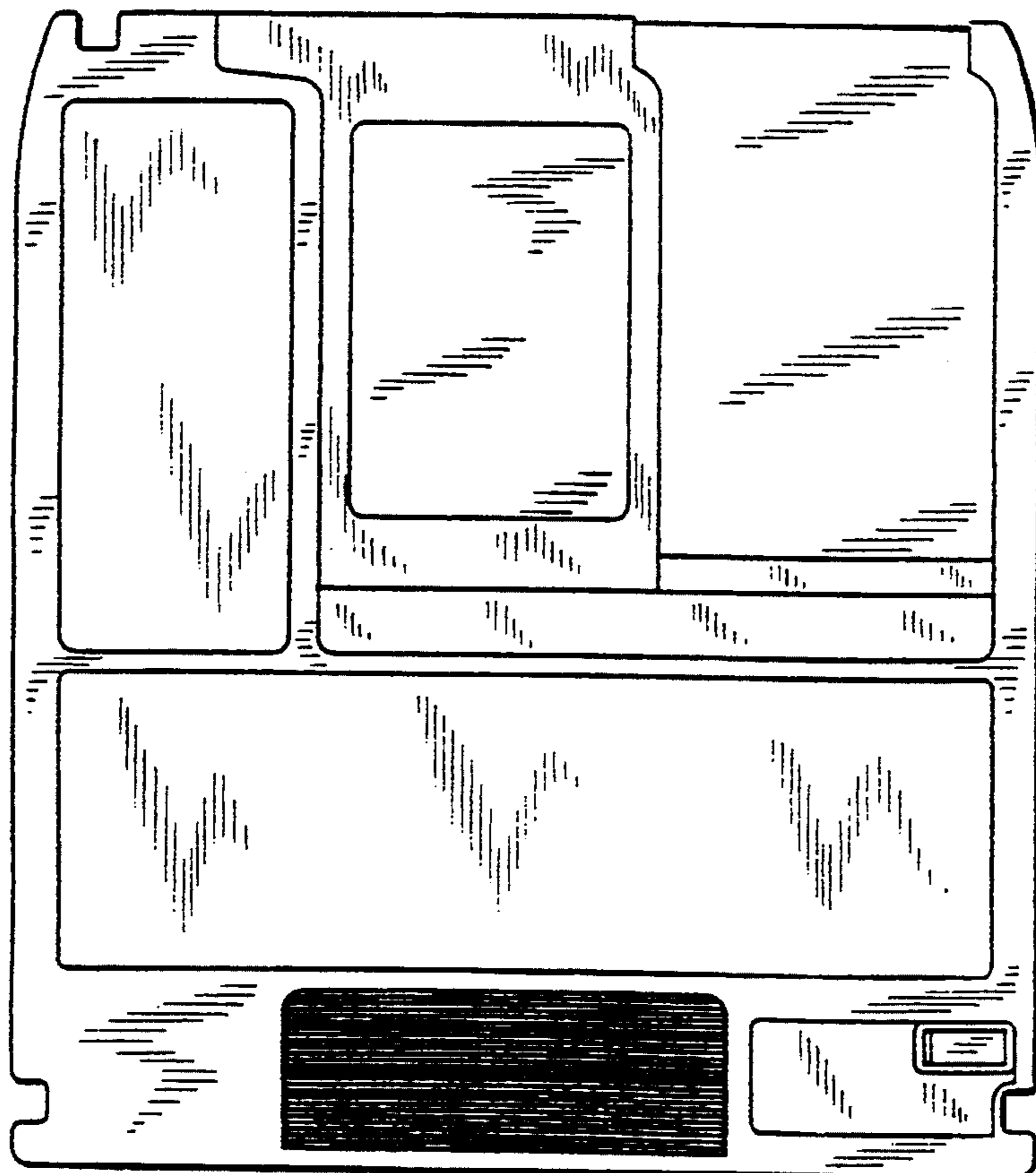
- D. 316,711 5/1991 Kantrowitz ..... D14/114
- D. 328,457 8/1992 Matsuzaka ..... D14/114
- D. 342,062 12/1993 Martin ..... D14/114
- 5,048,008 9/1991 Haruna ..... 206/444 X



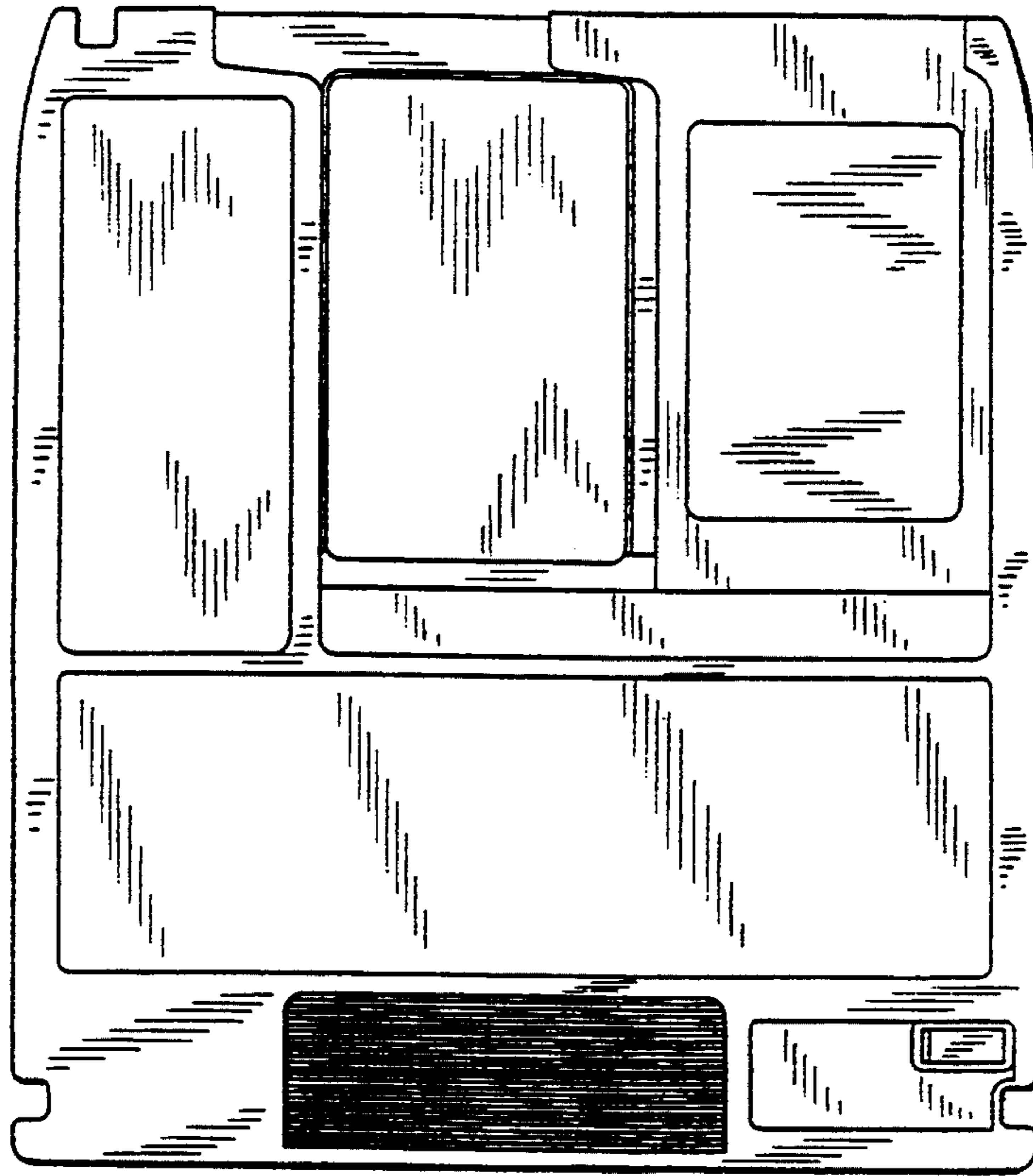


*FIG. 1*

*FIG. 2*



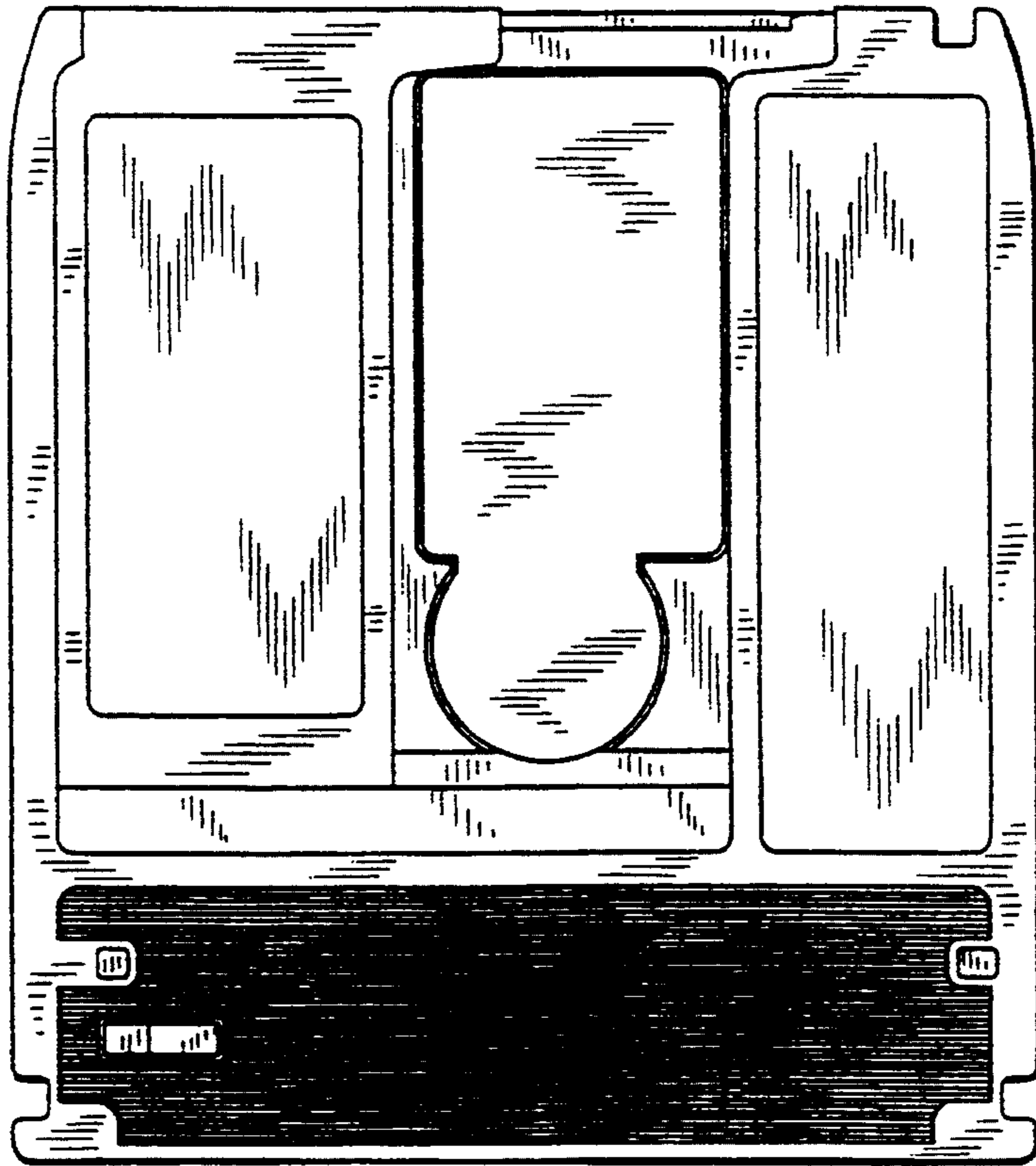
*FIG.3*



*FIG.4*



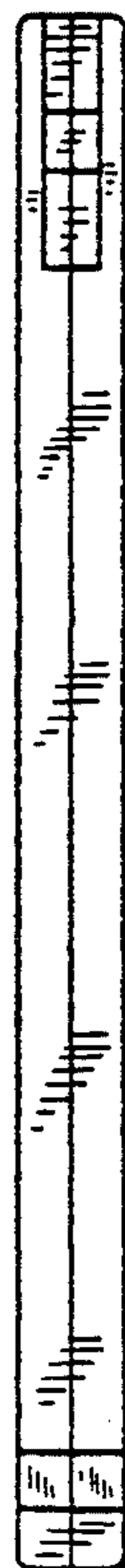
*FIG.5*



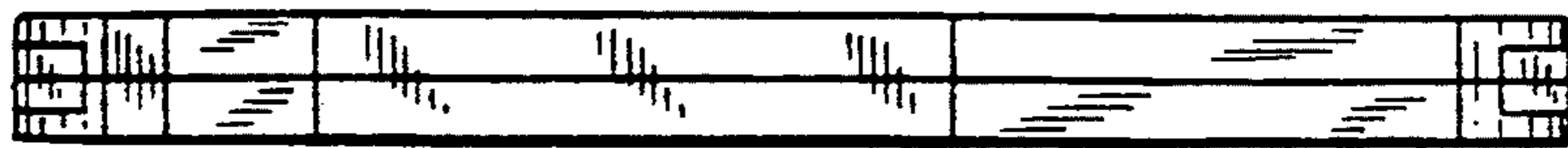
*FIG.6*



*FIG.7*



*FIG. 8*



*FIG. 9*

