



US00D356304S

# United States Patent [19]

Weir et al.

[11] Patent Number: **Des. 356,304**

[45] Date of Patent: **\*\* Mar. 14, 1995**

[54] VIDEO DISPLAY TERMINAL

[75] Inventors: **David A. Weir, Solvang; Edward V. Cruz, Newbury Park, both of Calif.**

[73] Assignee: **Wyse Technology, San Jose, Calif.**

[\*\*] Term: **14 Years**

[21] Appl. No.: **13,802**

[22] Filed: **Oct. 4, 1993**

[52] U.S. Cl. .... **D14/113**

[58] Field of Search ..... **D14/100, 101, 106, 113, 133, 156, 168, 173, 87, 901-905; 358/249, 254, 255**

[56] References Cited

### U.S. PATENT DOCUMENTS

D. 308,054 5/1990 Peart ..... D14/113  
D. 308,196 5/1990 Willnauer ..... D14/113

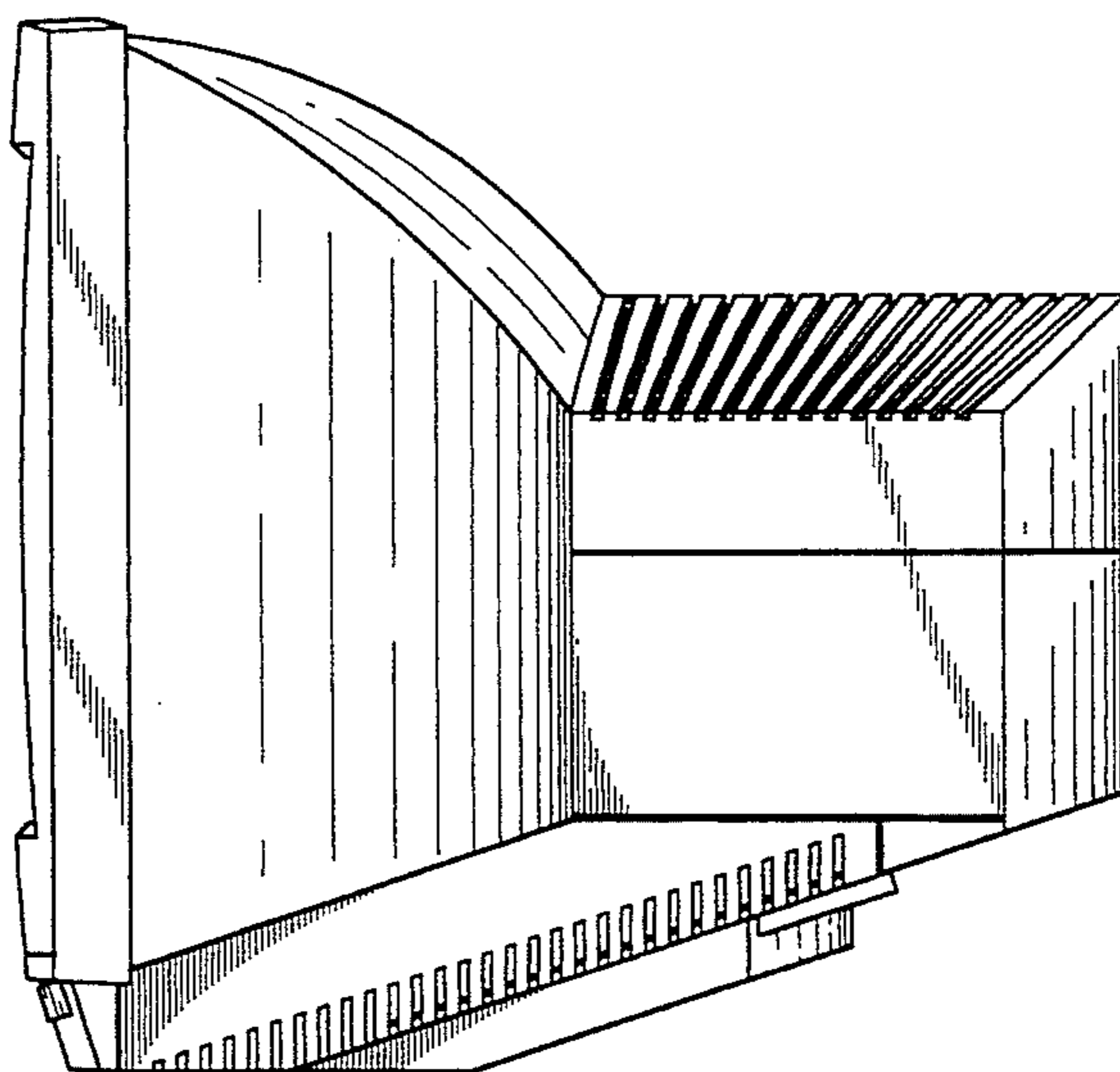
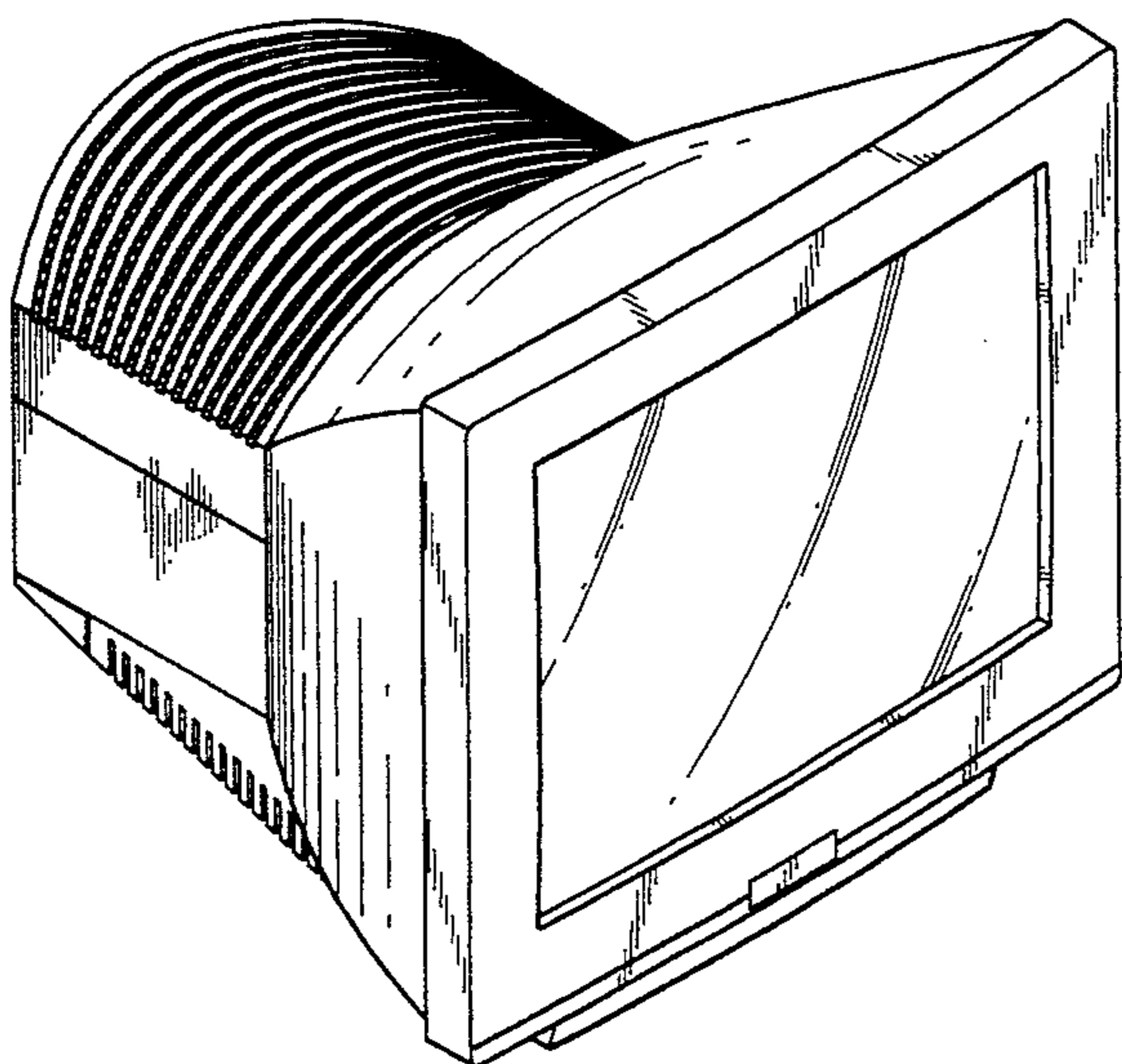
*Primary Examiner*—Freda S. Nunn  
*Attorney, Agent, or Firm*—James E. Eakin; Janet K. Castaneda

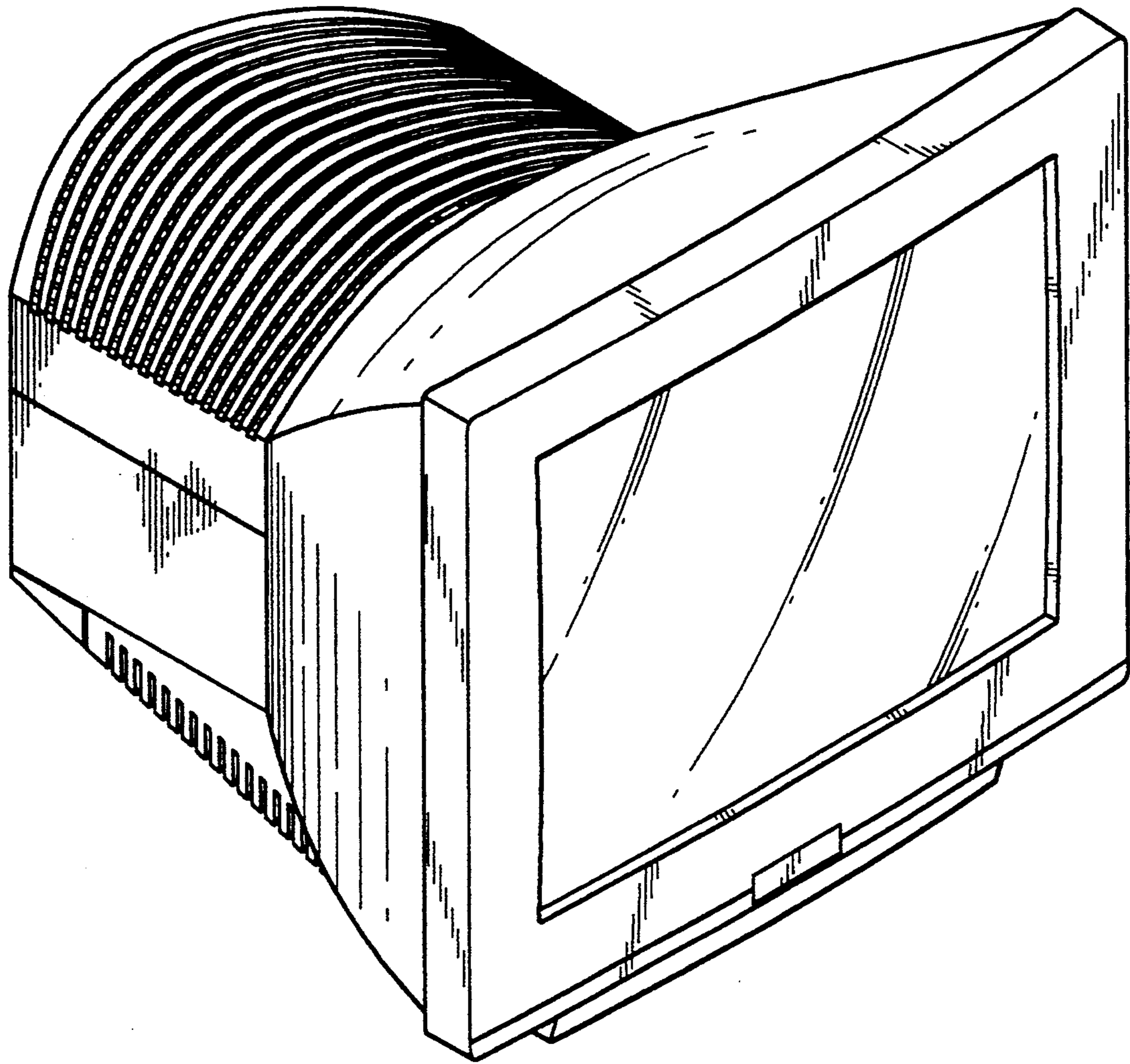
[57] CLAIM

The ornamental design for a video display terminal, as shown and described.

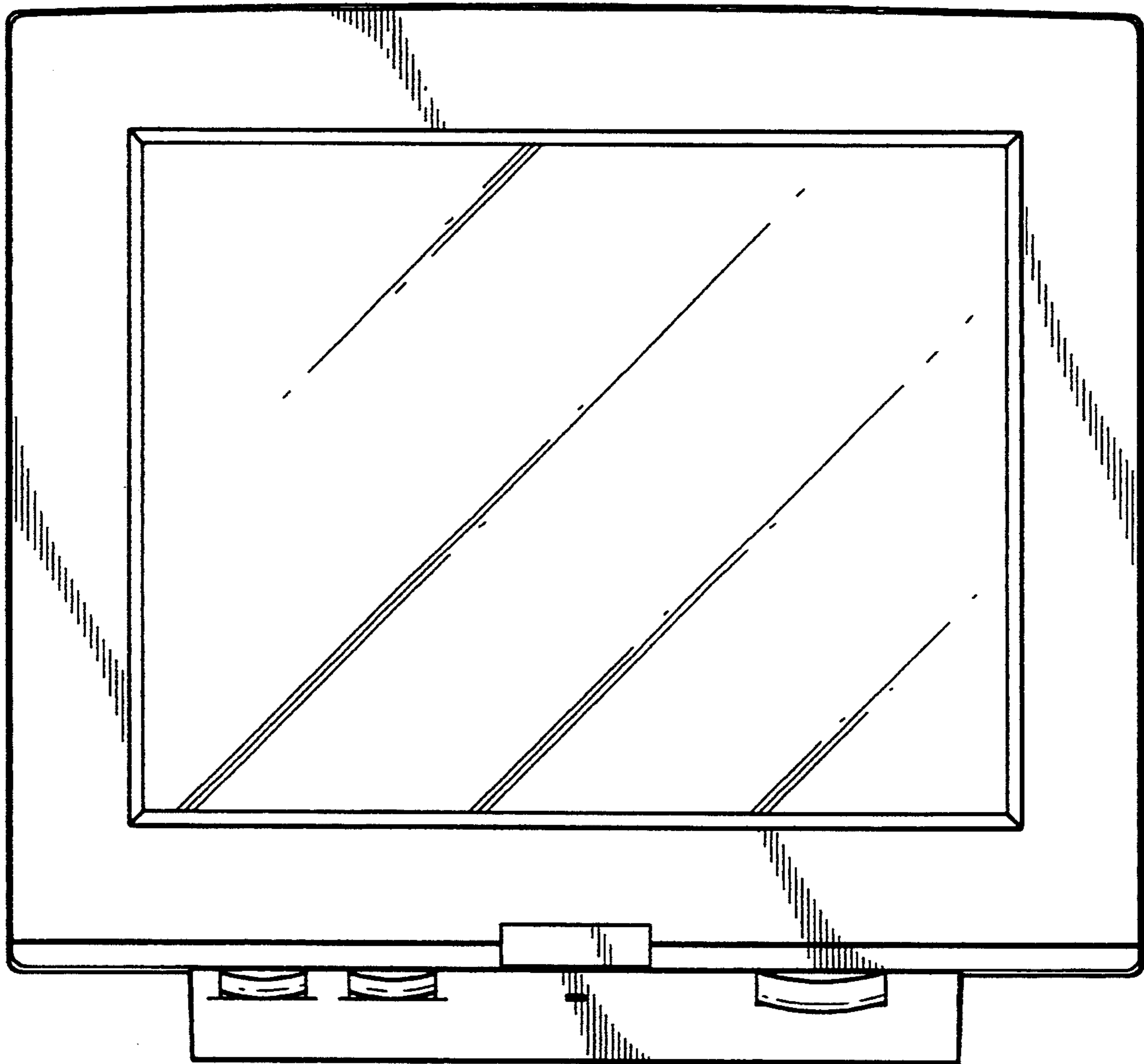
### DESCRIPTION

FIG. 1 is an elevated, front, left side perspective view of the video display terminal showing our new design; FIG. 2 is a front view thereof on an enlarged scale; FIG. 3 is a left side view thereof; FIG. 4 is a rear view thereof; FIG. 5 is a right side view thereof; FIG. 6 is a top plan view thereof; and, FIG. 7 is a bottom plan view thereof.

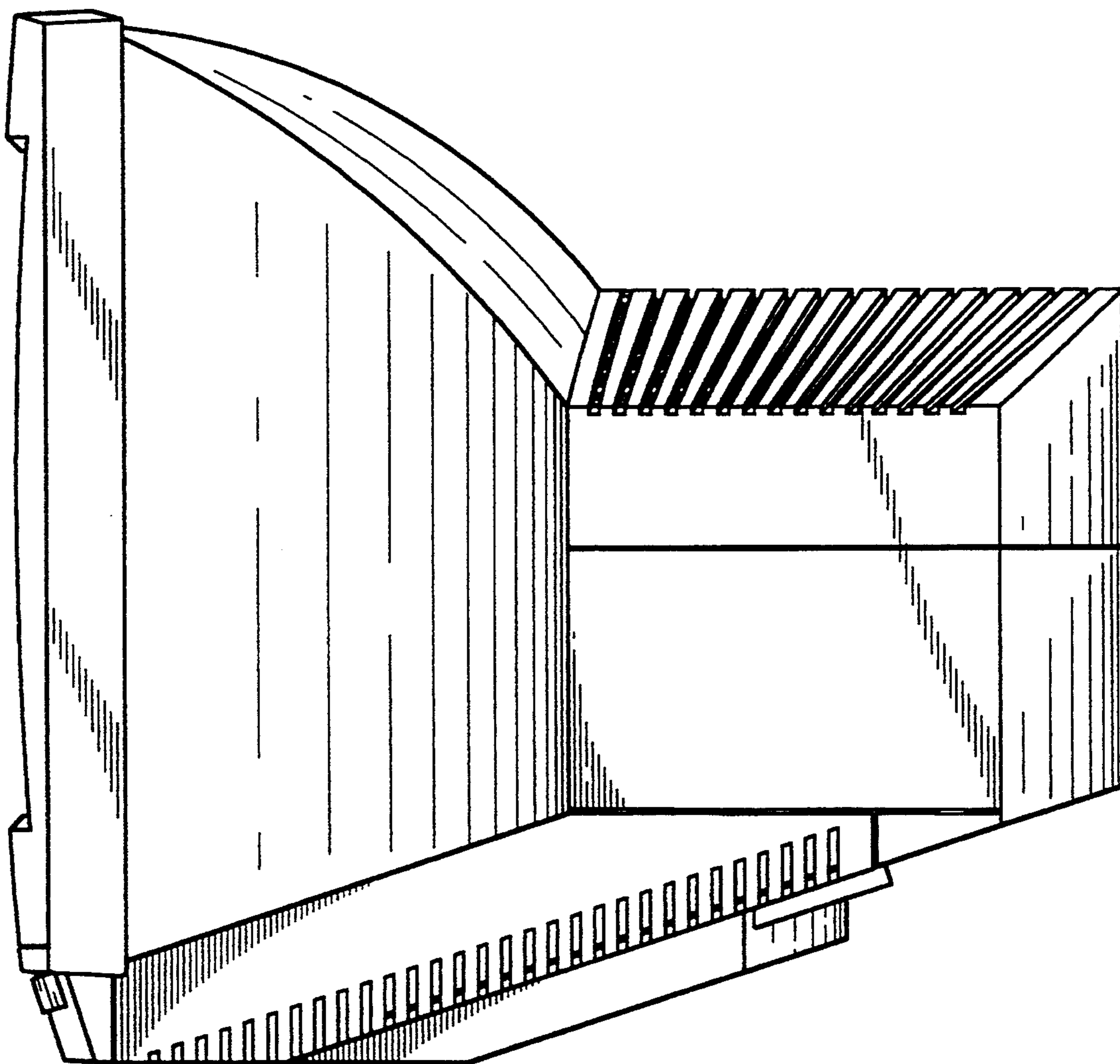




**FIG. 1**



**FIG. 2**



**FIG. 3**



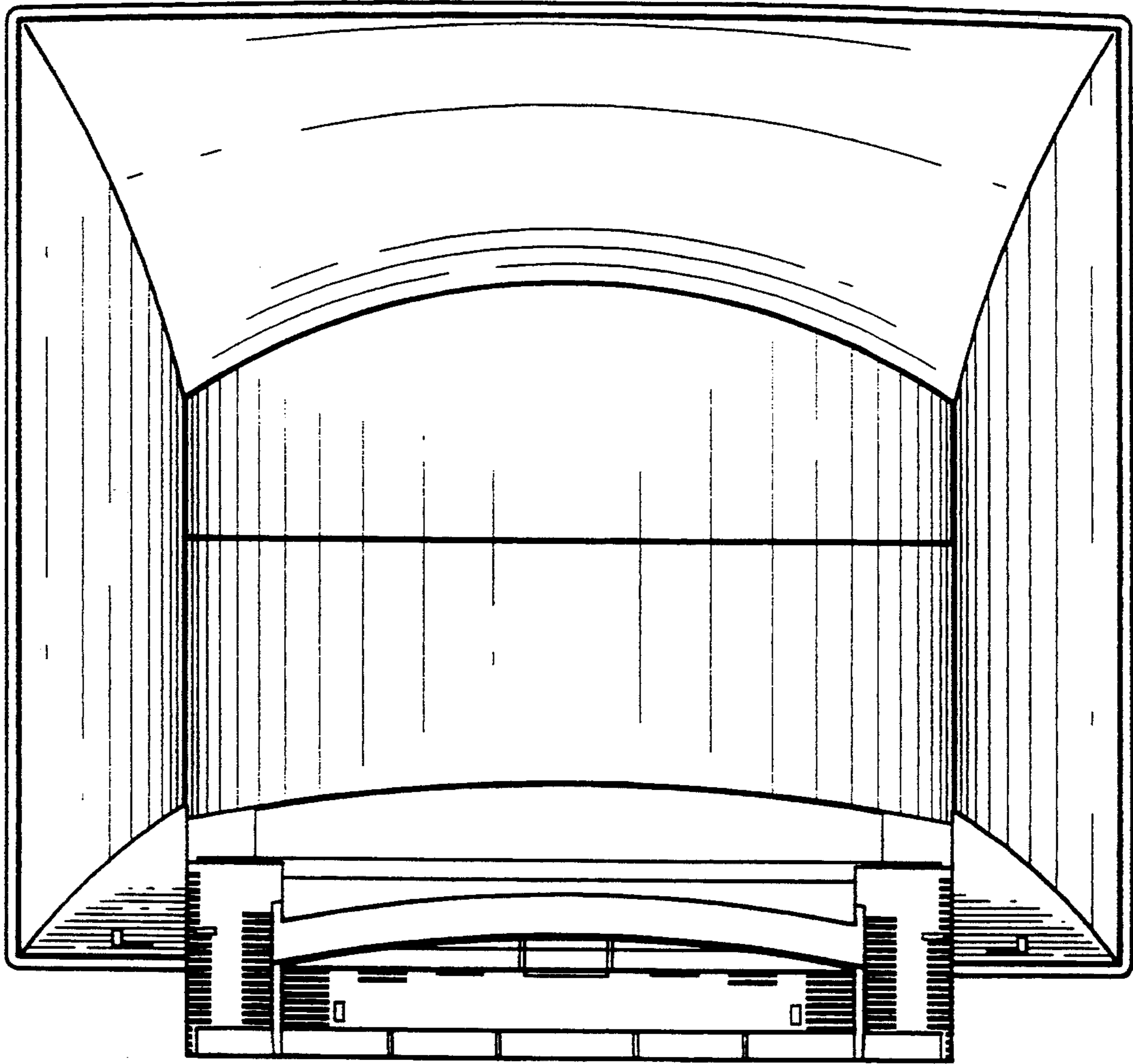
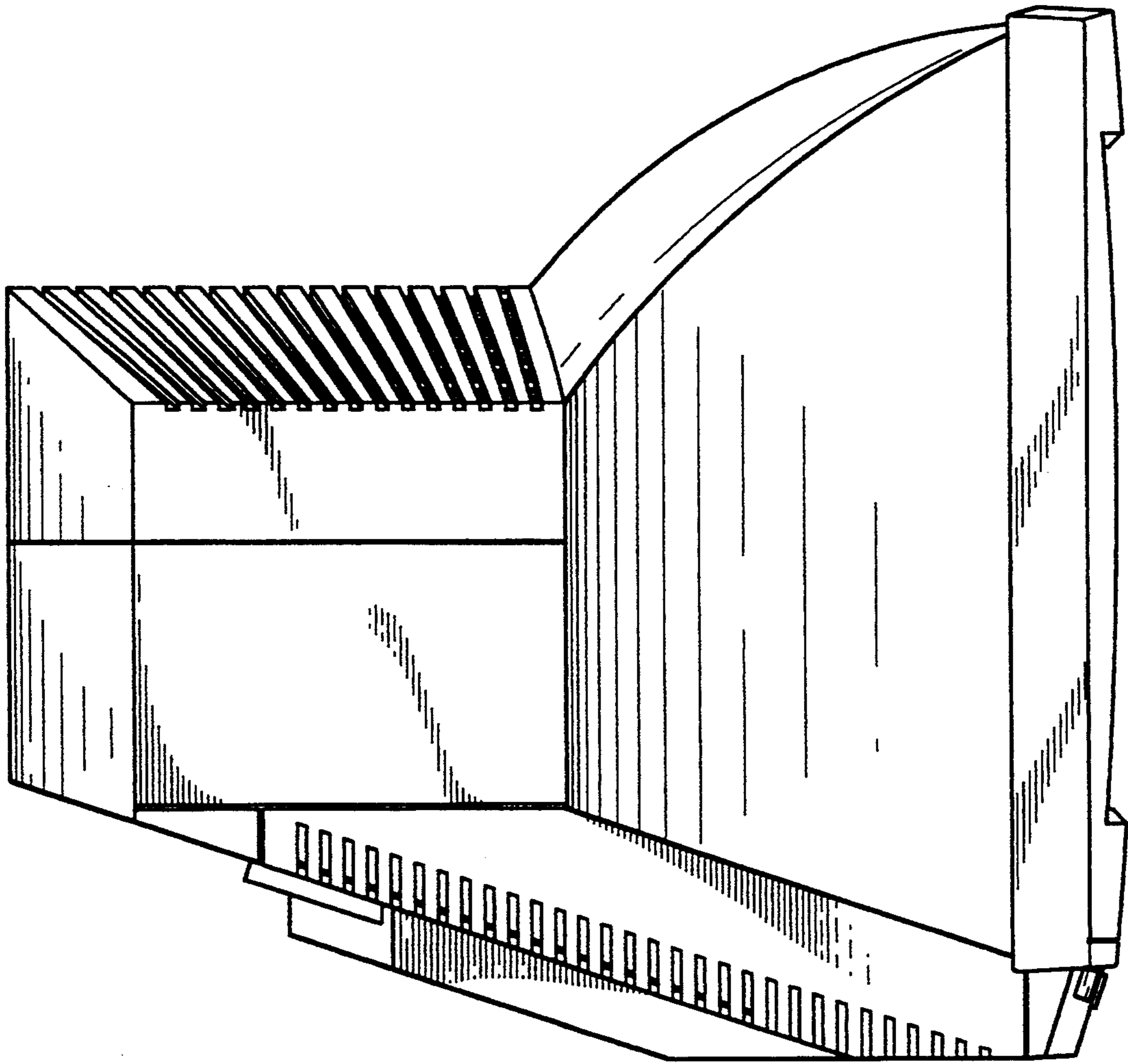
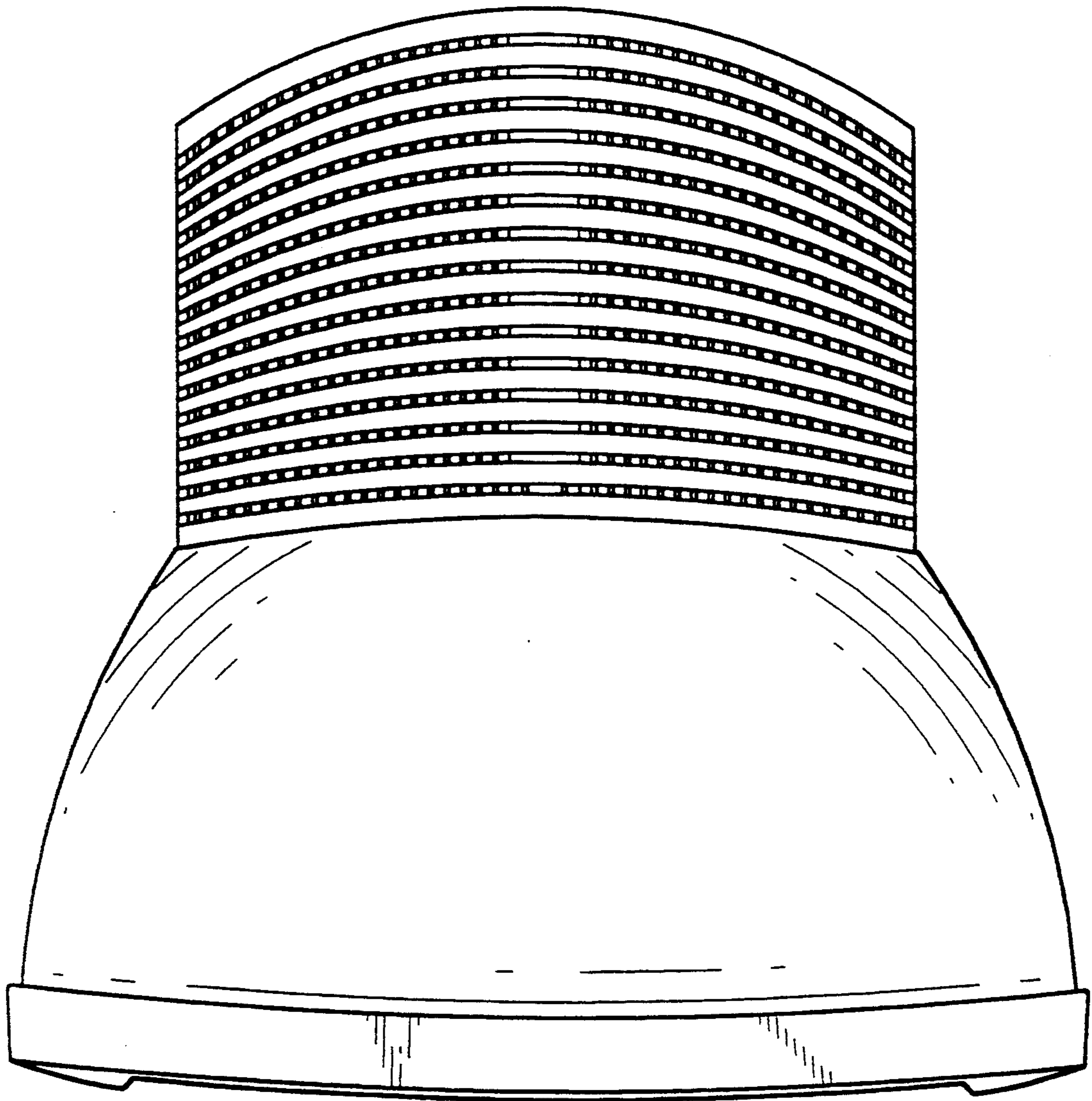


FIG. 4



**FIG. 5**



**FIG. 6**

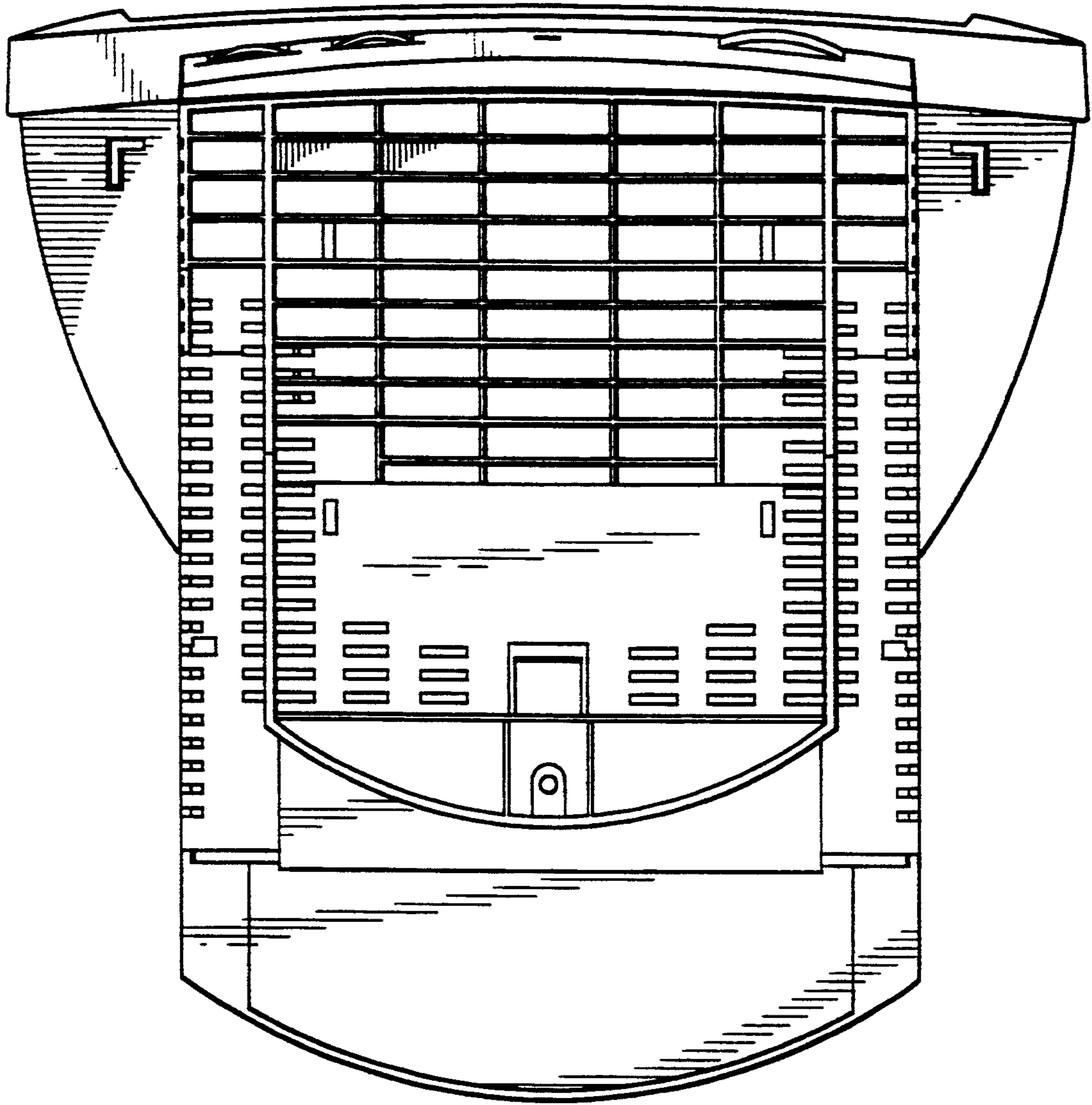


FIG. 7