



US00D356303S

# United States Patent [19]

[11] Patent Number: **Des. 356,303**

Riley et al.

[45] Date of Patent: **\*\* Mar. 14, 1995**

## [54] ENCLOSURE FOR INTERACTIVE DISPLAY

[75] Inventors: **Raymond W. Riley**, San Jose; **David A. Lundgren**, Mill Valley; **Michael J. Nuttall**, Portola Valley; **Mark Biasotti**, San Jose; **Ricardo Salinas**, San Francisco; **Chris Hosking**, Mammoth Lakes, all of Calif.

[73] Assignee: **Apple Computer, Inc.**, Cupertino, Calif.

[\*\*] Term: **14 Years**

[21] Appl. No.: **11,298**

[22] Filed: **Jul. 30, 1993**

[52] U.S. Cl. .... **D14/113**

[58] Field of Search ..... **D14/100, 101, 106, 113, D14/124-127; 248/917-924; 345/104, 133, 156, 168, 173, 901-905; 358/249, 254, 255**

## [56] References Cited

### U.S. PATENT DOCUMENTS

D. 269,677	7/1983	Kashima et al. ....	D14/126 X
D. 284,964	8/1986	Higashihara et al. ....	D14/126
D. 295,978	5/1988	Brunner .....	D14/113
D. 313,407	1/1991	Kao .....	D14/113
D. 314,376	2/1991	Shibuya et al. ....	D14/113
D. 348,049	6/1994	Manabe et al. ....	D14/100

Primary Examiner—Freda S. Nunn

Attorney, Agent, or Firm—Jeffrey J. Brooks

## [57] CLAIM

The ornamental design for an enclosure for interactive display, as shown and described.

## DESCRIPTION

FIG. 1 is an enlarged top front and left side perspective view of an enclosure for an interactive display showing our new design;

FIG. 2 is an enlarged top rear and right side perspective view thereof;

FIG. 3 is a left side elevational view thereof;

FIG. 4 is a right side elevational view thereof;

FIG. 5 is a front elevational view thereof;

FIG. 6 is a rear elevational view thereof;

FIG. 7 is a top plan view thereof;

FIG. 8 is a bottom plan view thereof;

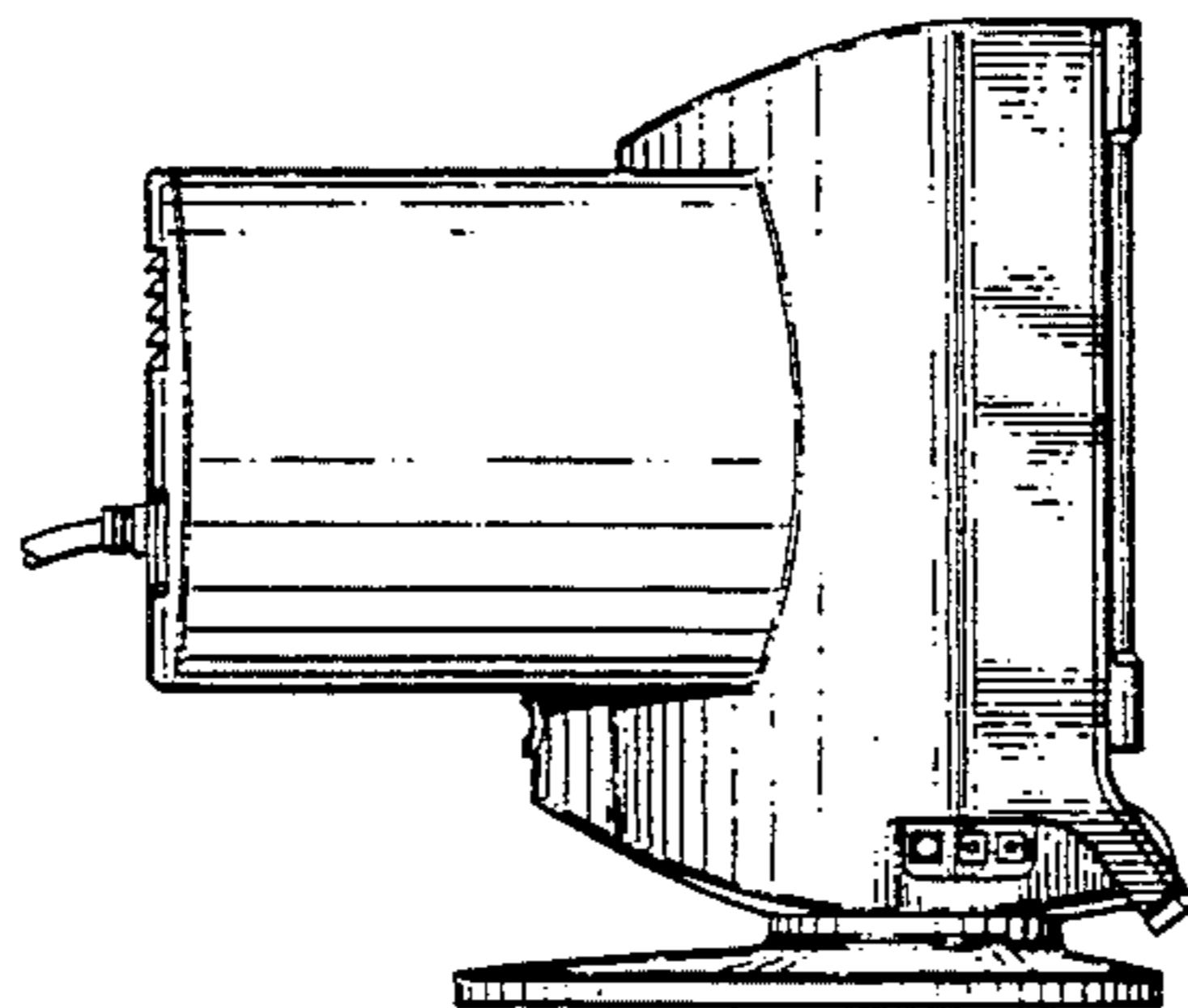
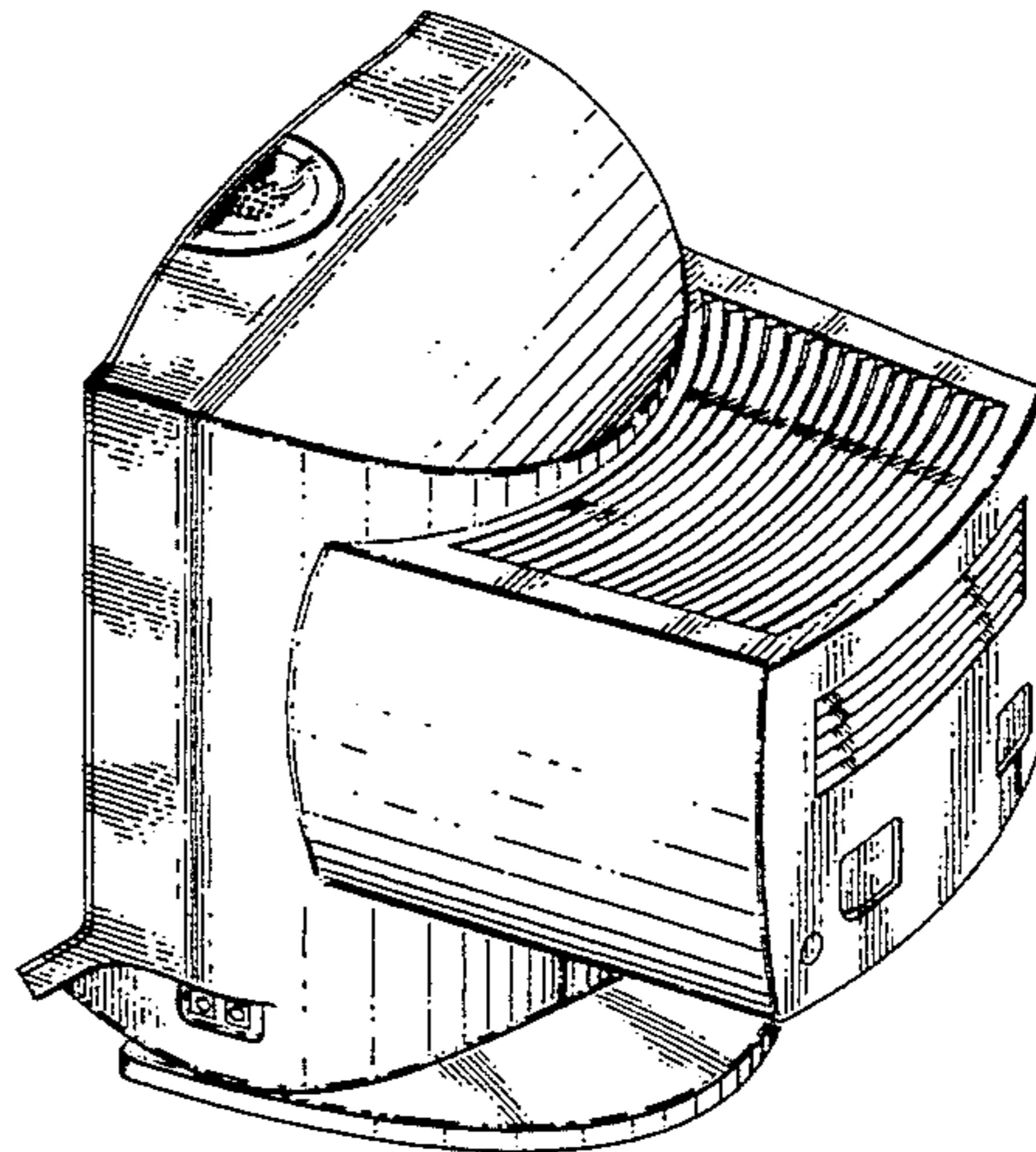
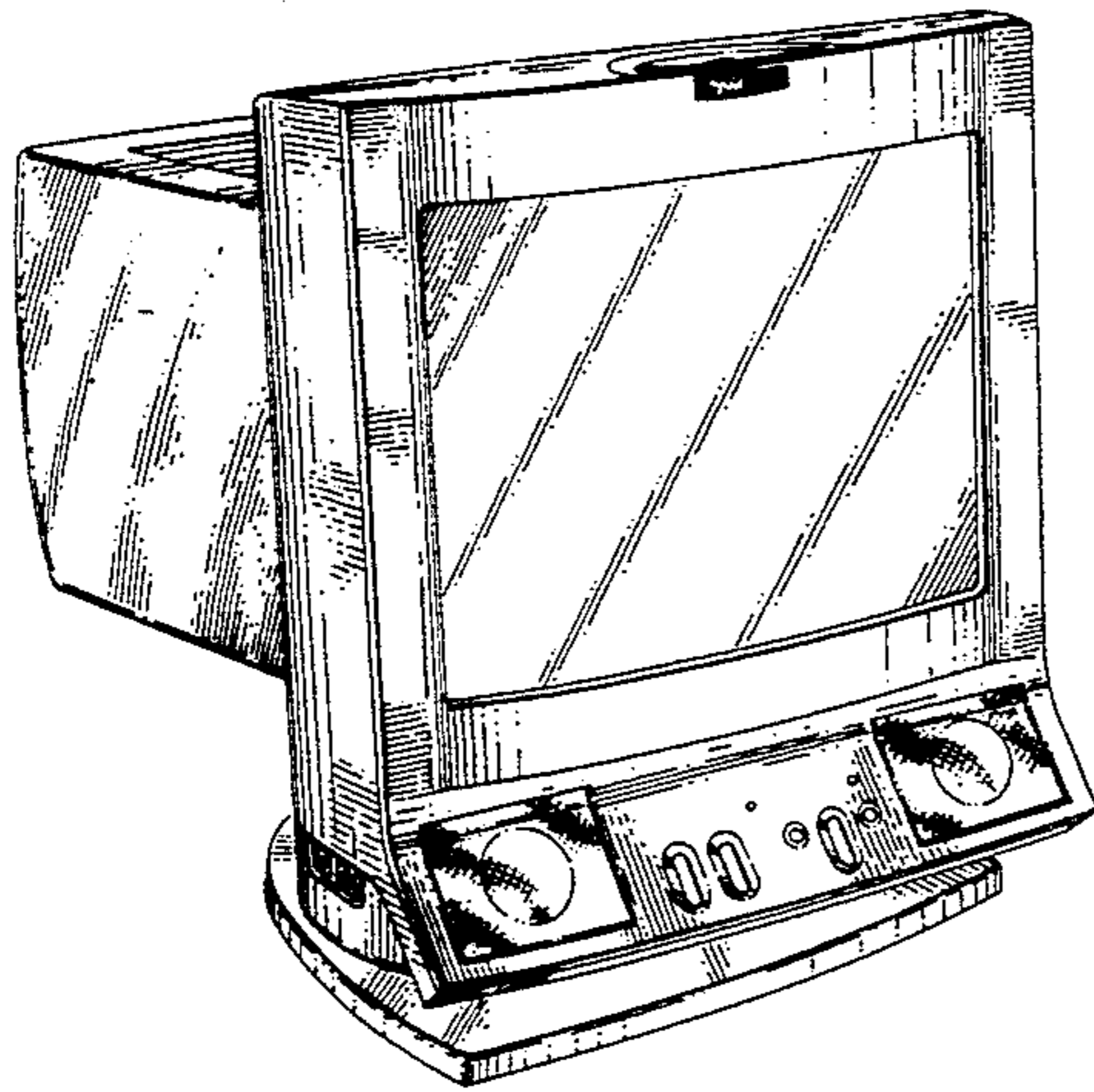
FIG. 9 is an enlarged top front and left side perspective view of a second embodiment thereof;

FIG. 10 is a left side elevational view thereof the right side view is a mirror image;

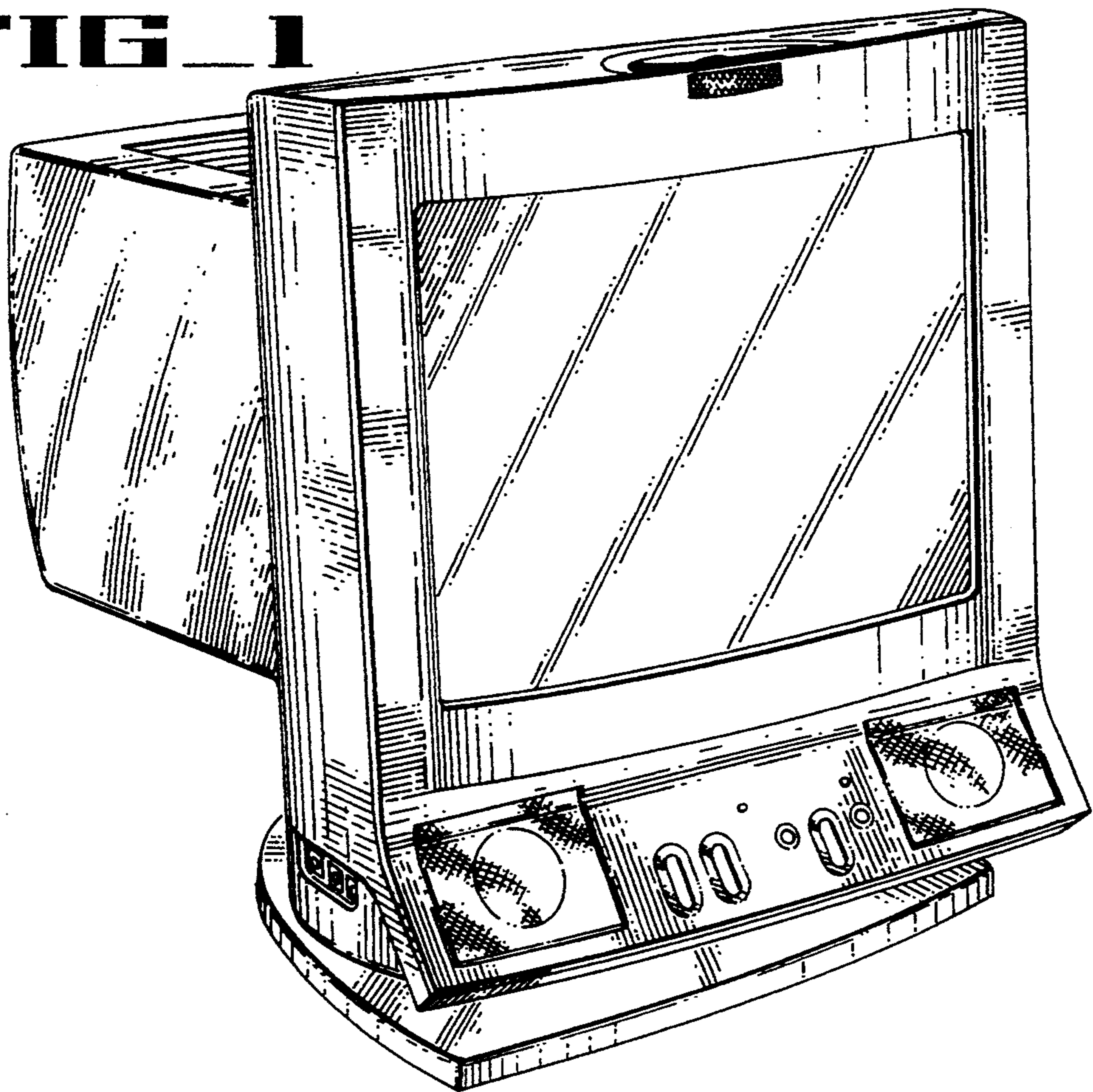
FIG. 11 is a front elevational view thereof; and,

FIG. 12 is a rear elevational view thereof.

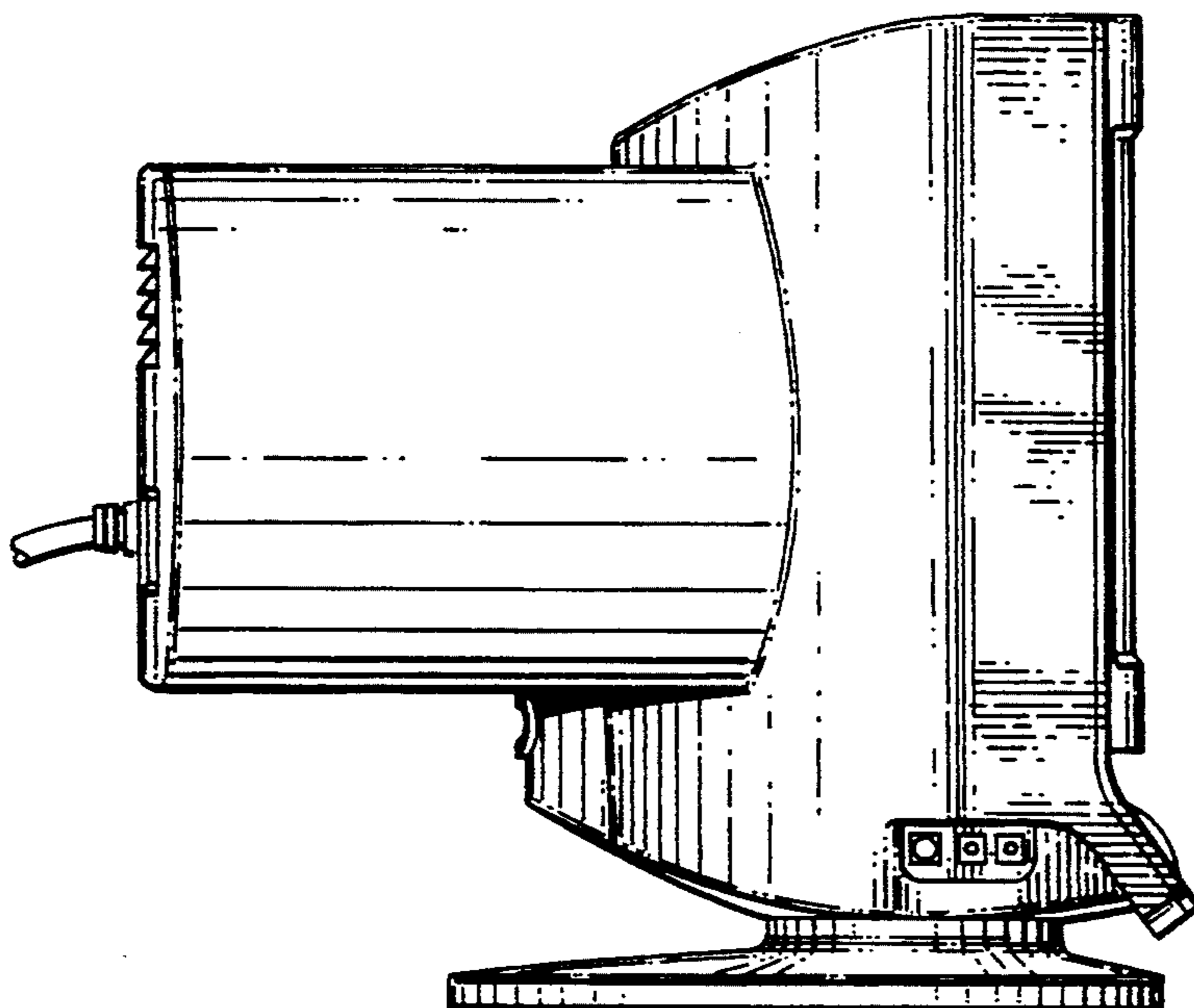
The broken lines are shown in the views for illustrative purposes only and form no part of the claimed design also, the circular patten is partially shown in FIG. 2 for ease of illustration it being understood to continue as indicated in the view and the undisclosed bottom plan view of the second embodiment is identical in appearance to that of the first embodiment.



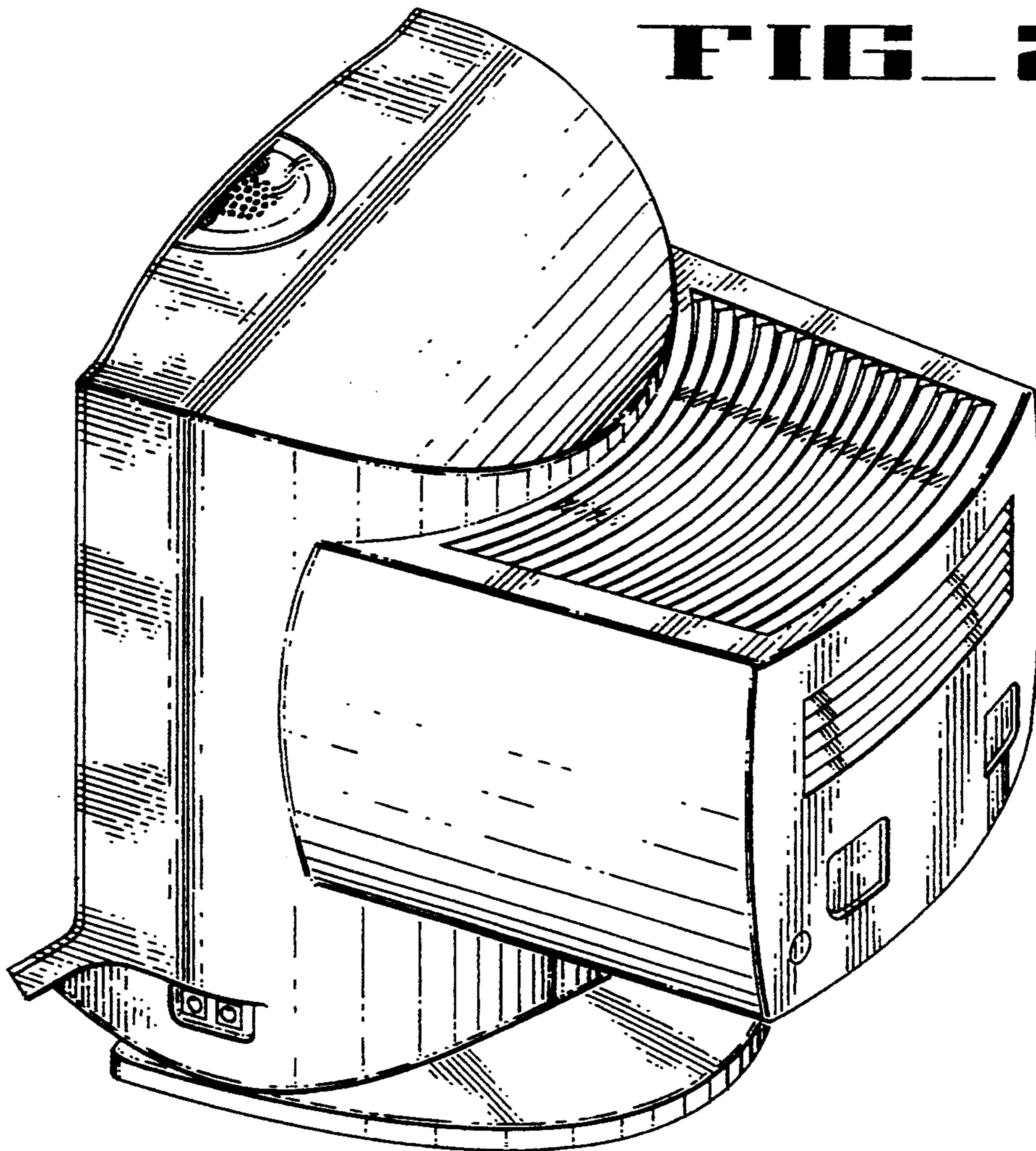
**FIG 1**



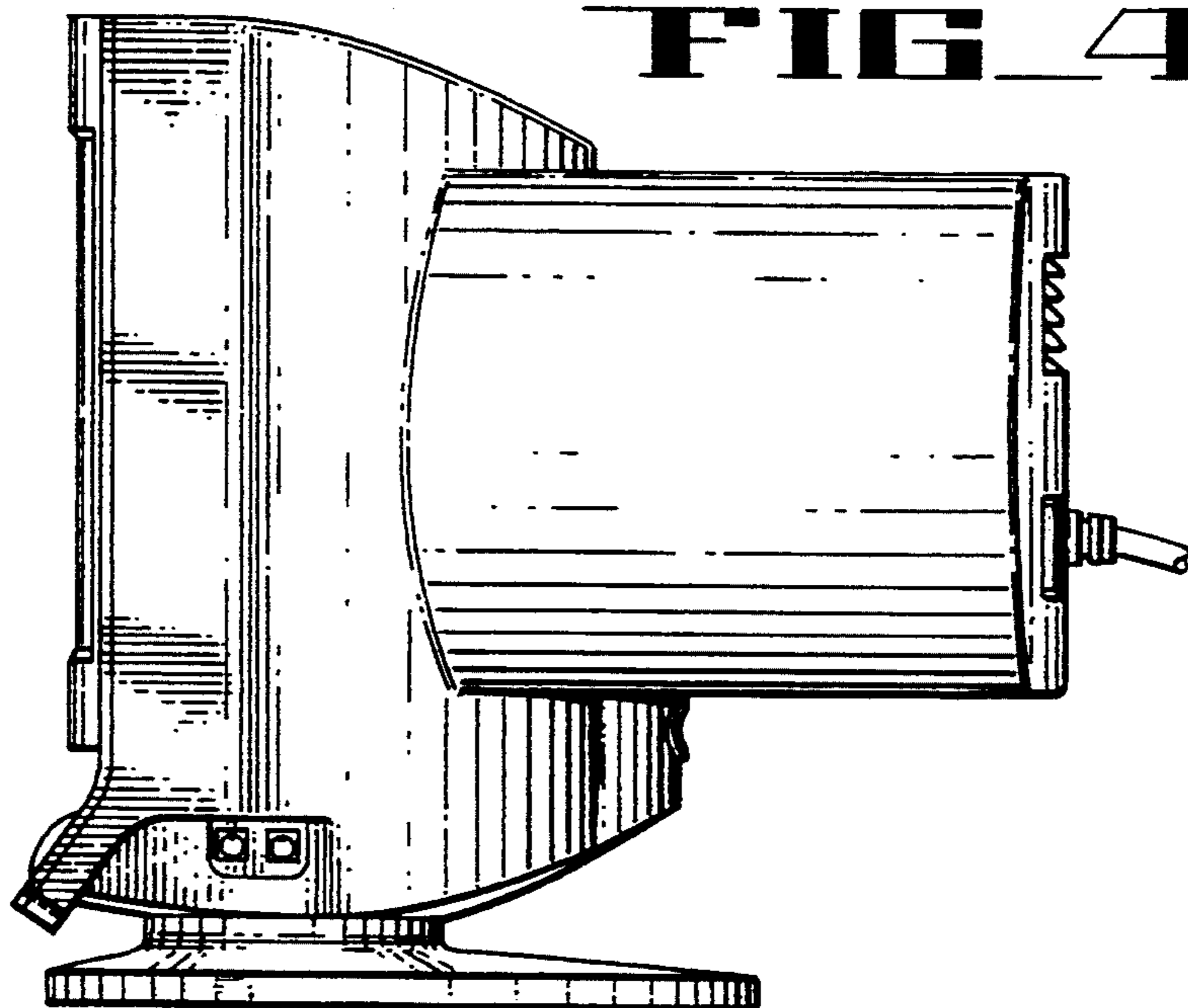
**FIG 3**



**FIG 2**



**FIG 4**



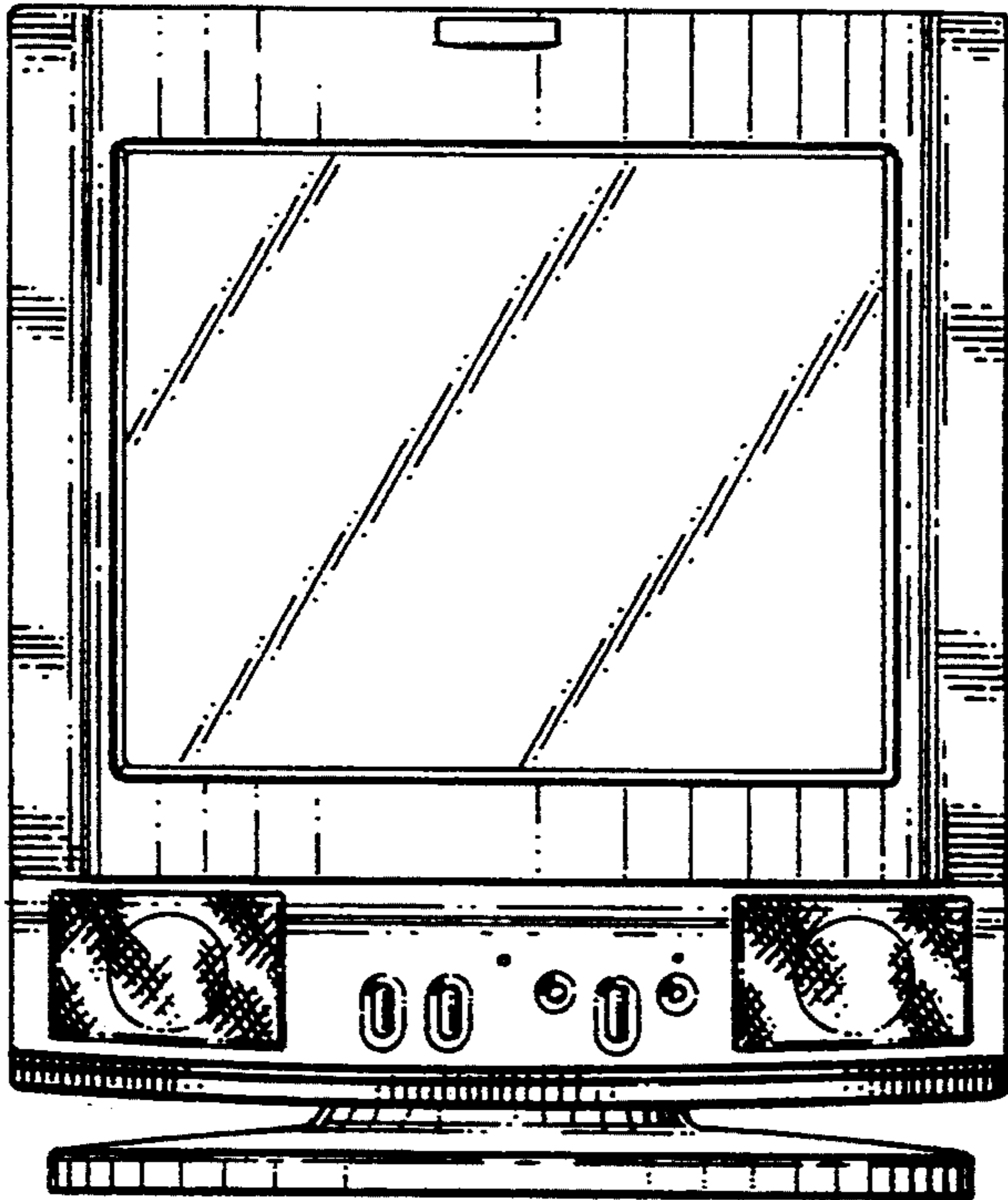
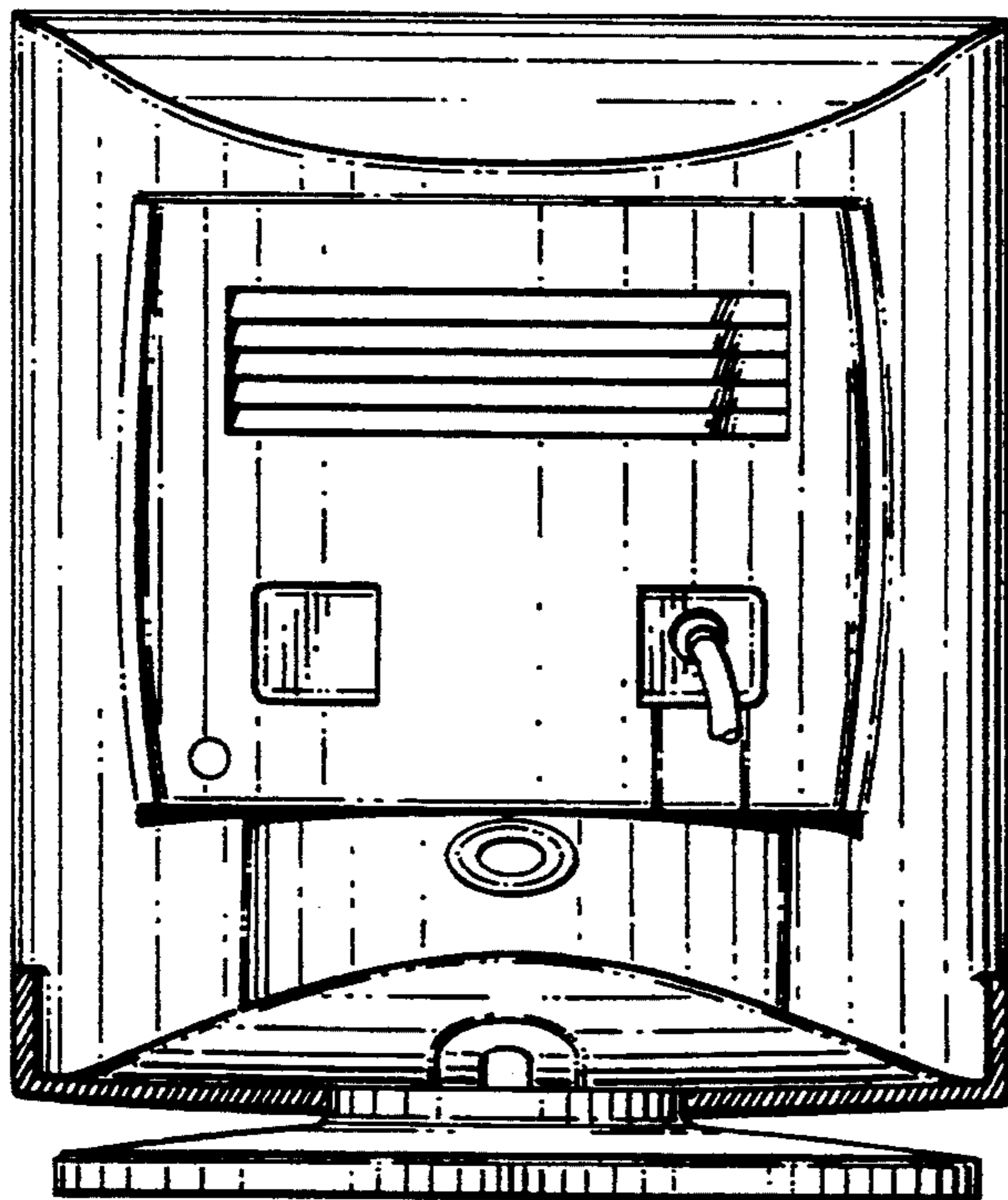
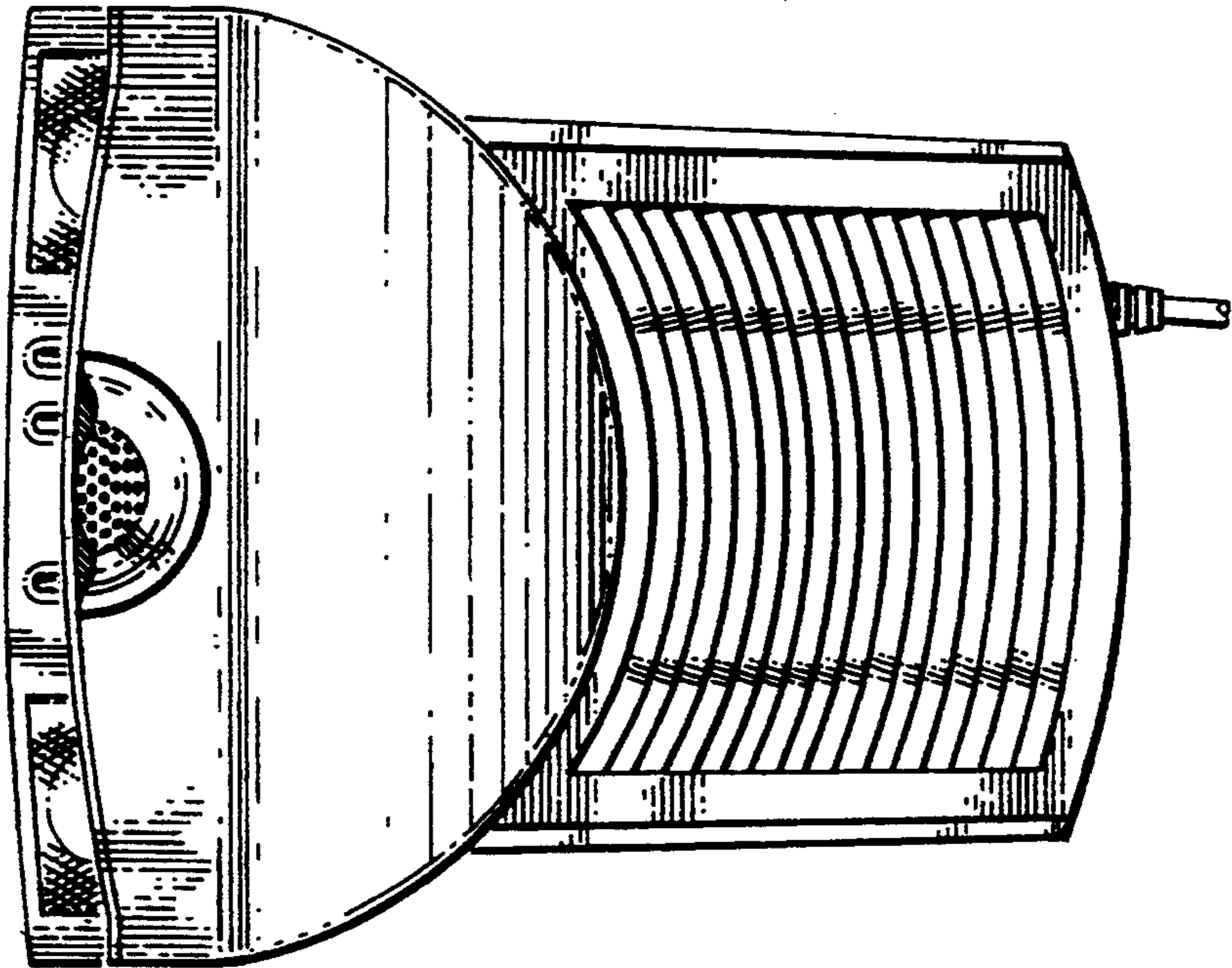


FIG. 5

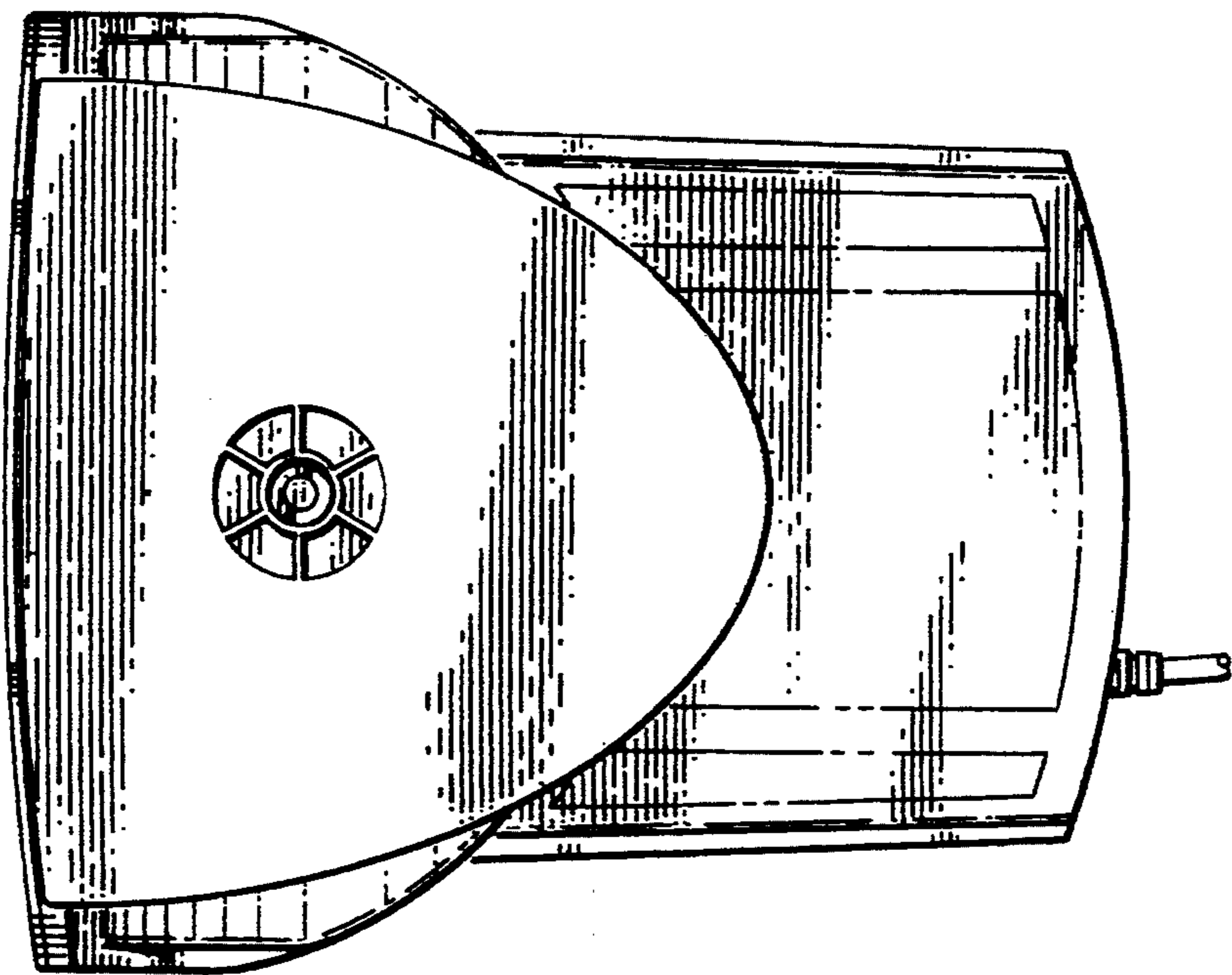
FIG. 6

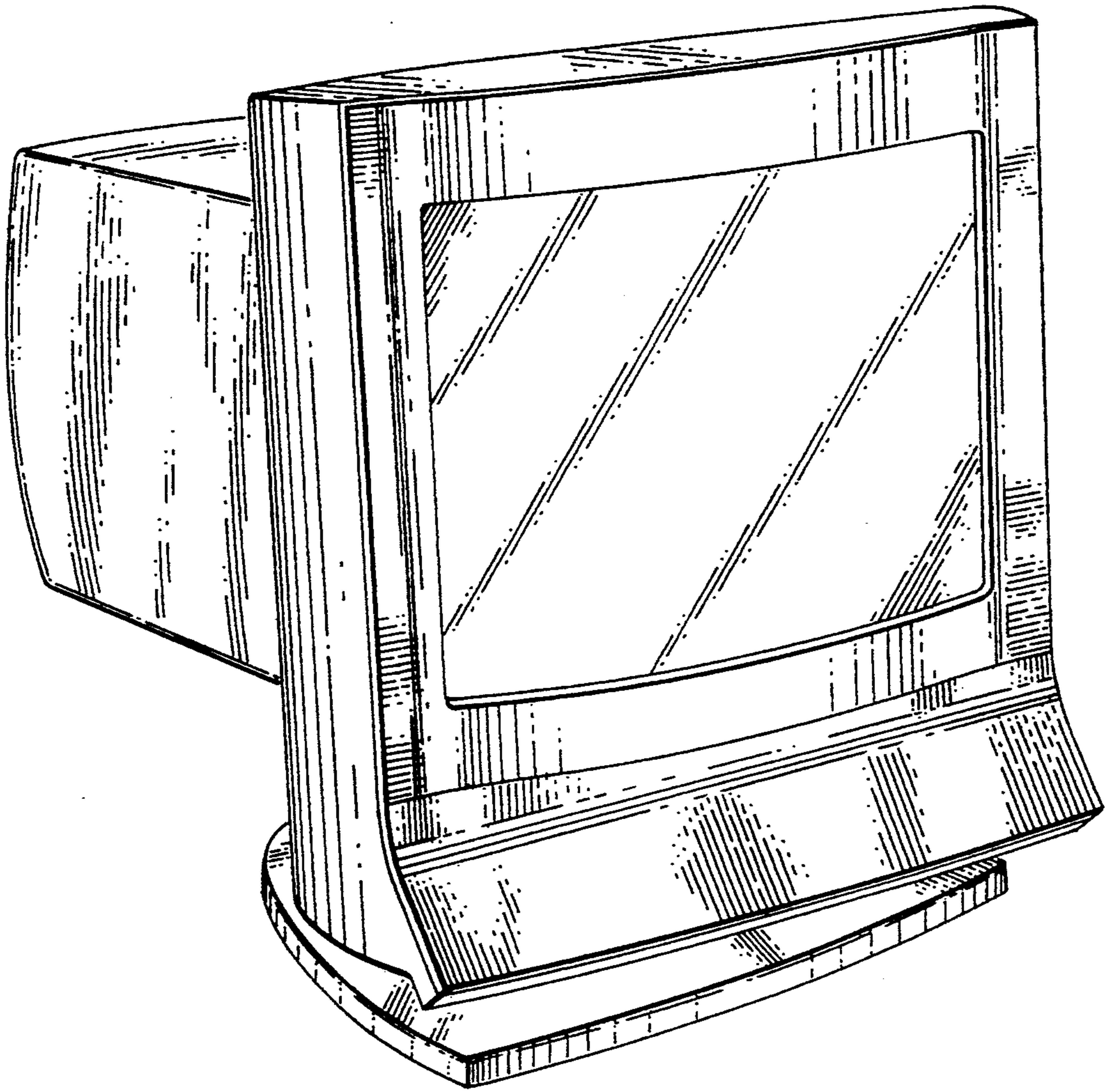


**FIG 7**



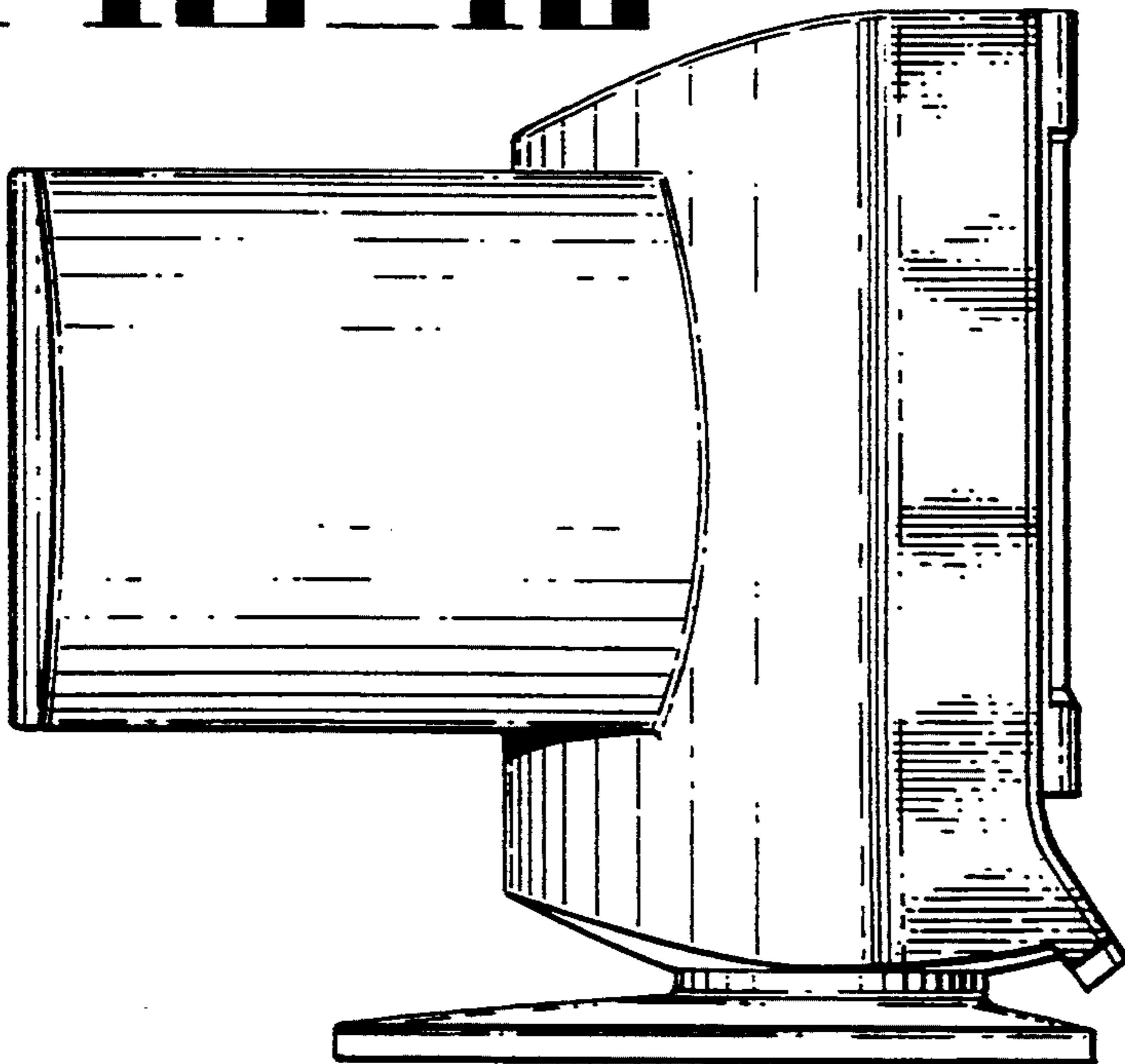
**FIG 8**





**FIG 9**

**FIG 10**



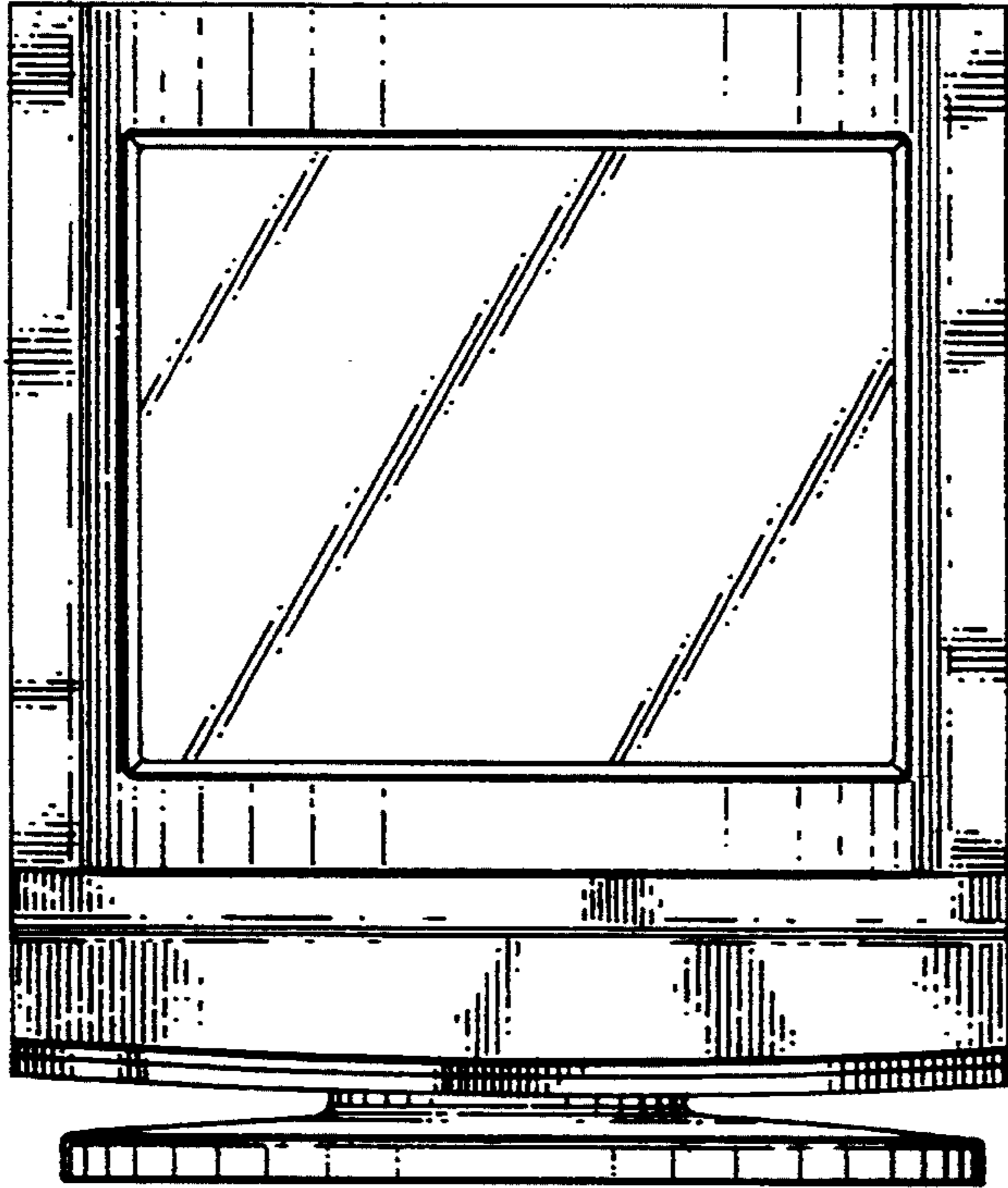


FIG. 11

FIG. 12

