



US00D356299S

United States Patent [19]

Hamilton et al.

[11] Patent Number: **Des. 356,299**

[45] Date of Patent: **** Mar. 14, 1995**

[54] **PORTABLE DATA TERMINAL**

[75] Inventors: **Robert Hamilton; Roman P. Rak,**
both of Delta; **Mark Harold,**
VanCouver, all of Canada

[73] Assignee: **Motorola, Schaumburg, Ill.**

[**] Term: **14 Years**

[21] Appl. No.: **11,834**

[22] Filed: **Aug. 16, 1993**

[52] U.S. Cl. **D14/100**

[58] Field of Search **D14/100, 106, 115;**
D18/1, 7, 11, 12; 345/156, 168, 169, 172, 173;
341/22, 23; 364/708.1; 178/18, 19; 382/13

[56] **References Cited**

U.S. PATENT DOCUMENTS

D. 317,151 5/1991 Daly **D14/100**
D. 341,821 11/1993 Savio **D14/100**

D. 341,823 11/1993 Sakai **D14/100**
D. 345,147 3/1994 Fukutake et al. **D14/100**
4,972,496 11/1990 Sklarew **D14/100 X**

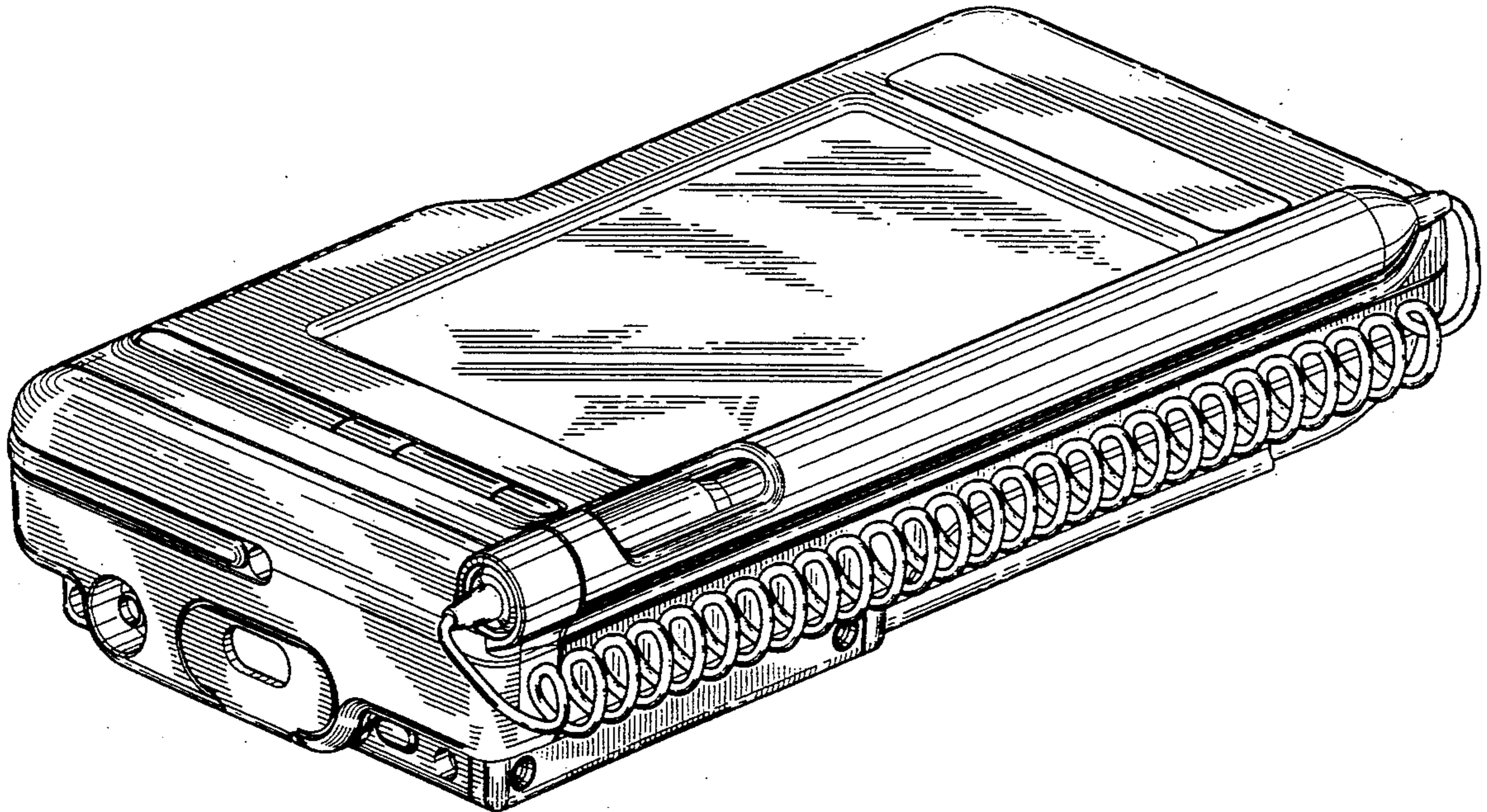
Primary Examiner—Freda S. Nunn
Attorney, Agent, or Firm—Donald B. Southard

[57] CLAIM

The ornamental design for a portable data terminal, as shown and described.

DESCRIPTION

FIG. 1 is a top front, and right side perspective view a portable data terminal showing our new design; FIG. 2 is a left side elevational view thereof on a reduced scale; FIG. 3 is a bottom plan view thereof; and, FIG. 4 is a rear elevational view thereof. The dotted lines as shown in the drawings are for illustrative purposes only and form no part of disclosed invention.



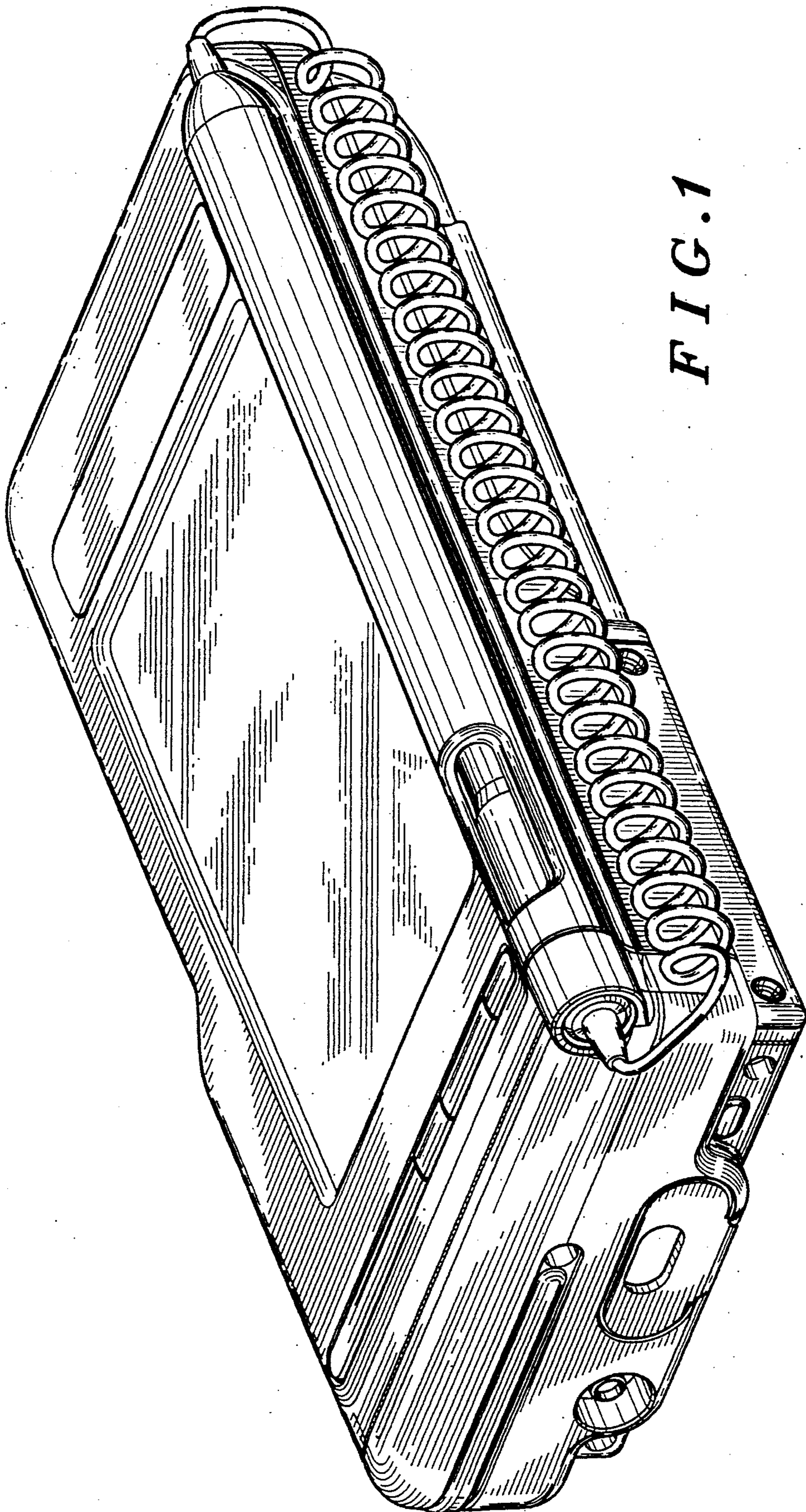


FIG. 1

FIG. 2

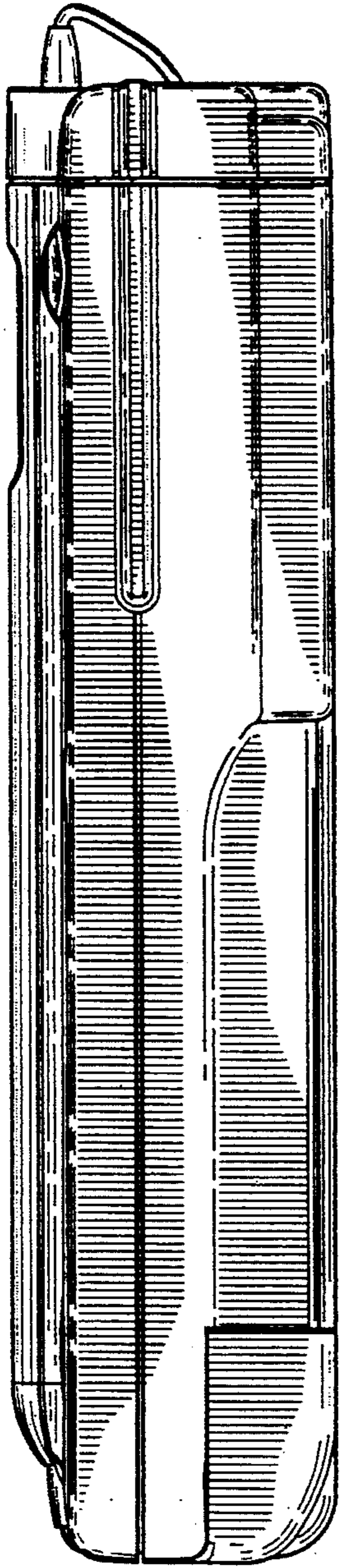


FIG. 3

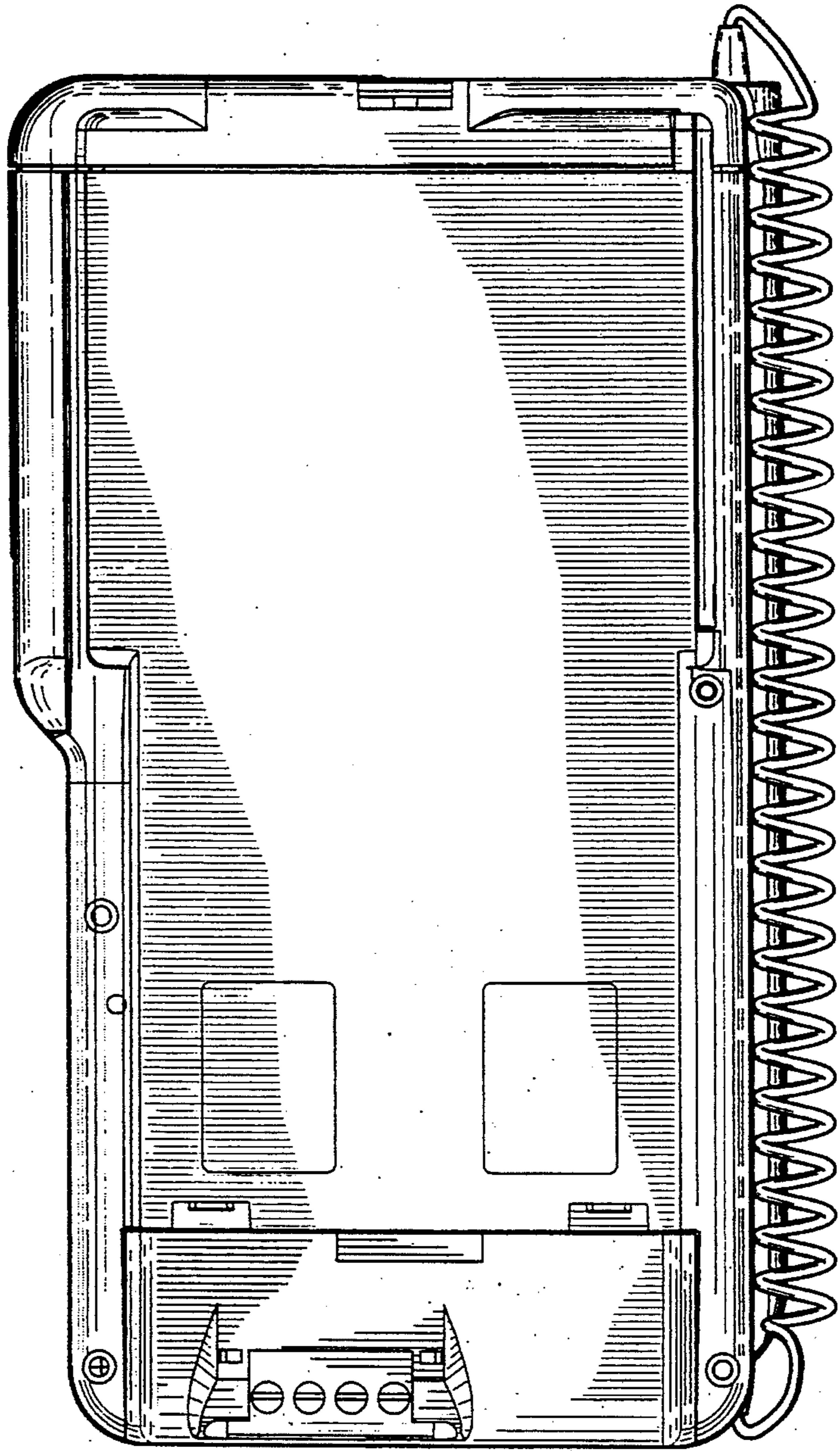


FIG. 4

