



US00D356297S

United States Patent [19]

[11] Patent Number: **Des. 356,297**

Carl et al.

[45] Date of Patent: **** Mar. 14, 1995**

[54] **SURGE SUPPRESSOR**

[75] Inventors: **Stewart R. Carl**, Palo Alto; **Arthur H. Zarnowitz**, Burlingame, both of Calif.

[73] Assignee: **Kensington Microware Limited**, San Mateo, Calif.

[**] Term: **14 Years**

[21] Appl. No.: **6,588**

[22] Filed: **Apr. 1, 1993**

[52] U.S. Cl. **D13/160; D13/164**

[58] Field of Search **D13/139, 142, 143, 160, D13/164; 361/56, 91, 111, 119, 127; 439/501, 620, 651, 652, 655**

[56] **References Cited**

U.S. PATENT DOCUMENTS

- D. 288,920 3/1987 Oesterheld et al. D13/142
- D. 290,836 7/1987 Oesterheld et al. D13/142
- D. 314,183 1/1991 Wong D13/160
- D. 314,369 2/1991 Sacherman D13/160

OTHER PUBLICATIONS

Command console on p. 52 of *Midwest Micro* 1st edition catalog, 1992.

Items 5895 and 6686 on p. 64 of *MacConnection*, winter '91-'92 catalog.

Primary Examiner—Joel Sincavage

Attorney, Agent, or Firm—Townsend and Townsend Khourie and Crew

[57] **CLAIM**

The ornamental design for a surge suppressor, as shown and described.

DESCRIPTION

FIG. 1 is a perspective view of a surge suppressor showing our new design;

FIG. 2 is a top plan view thereof;

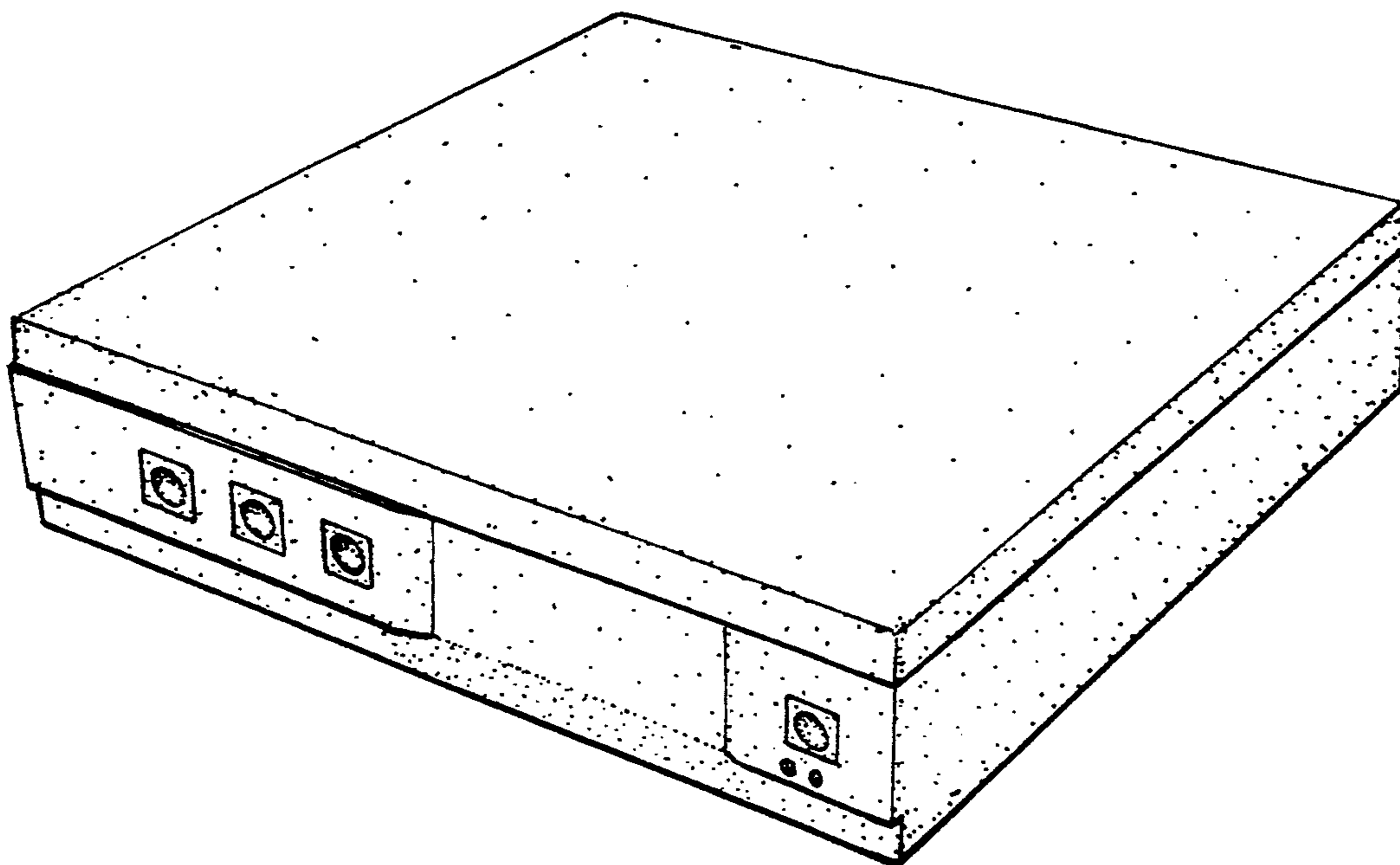
FIG. 3 is a front elevational view thereof;

FIG. 4 is a right side elevational view, the left side elevational view being a mirror image;

FIG. 5 is a rear elevational view thereof;

FIG. 6 is a bottom plan view thereof; and,

FIG. 7 is a rear and lower left perspective view thereof.



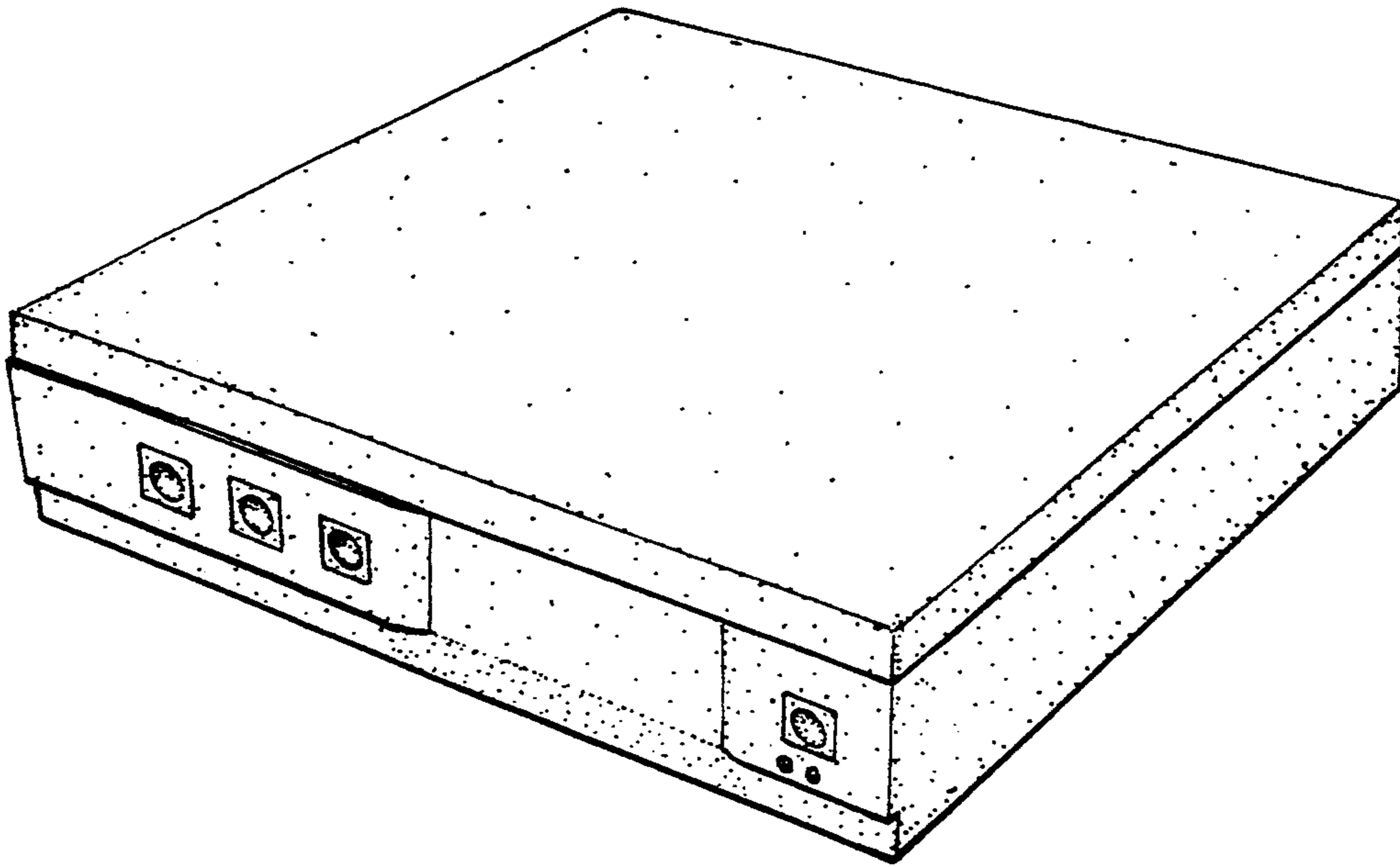


FIG. 1.

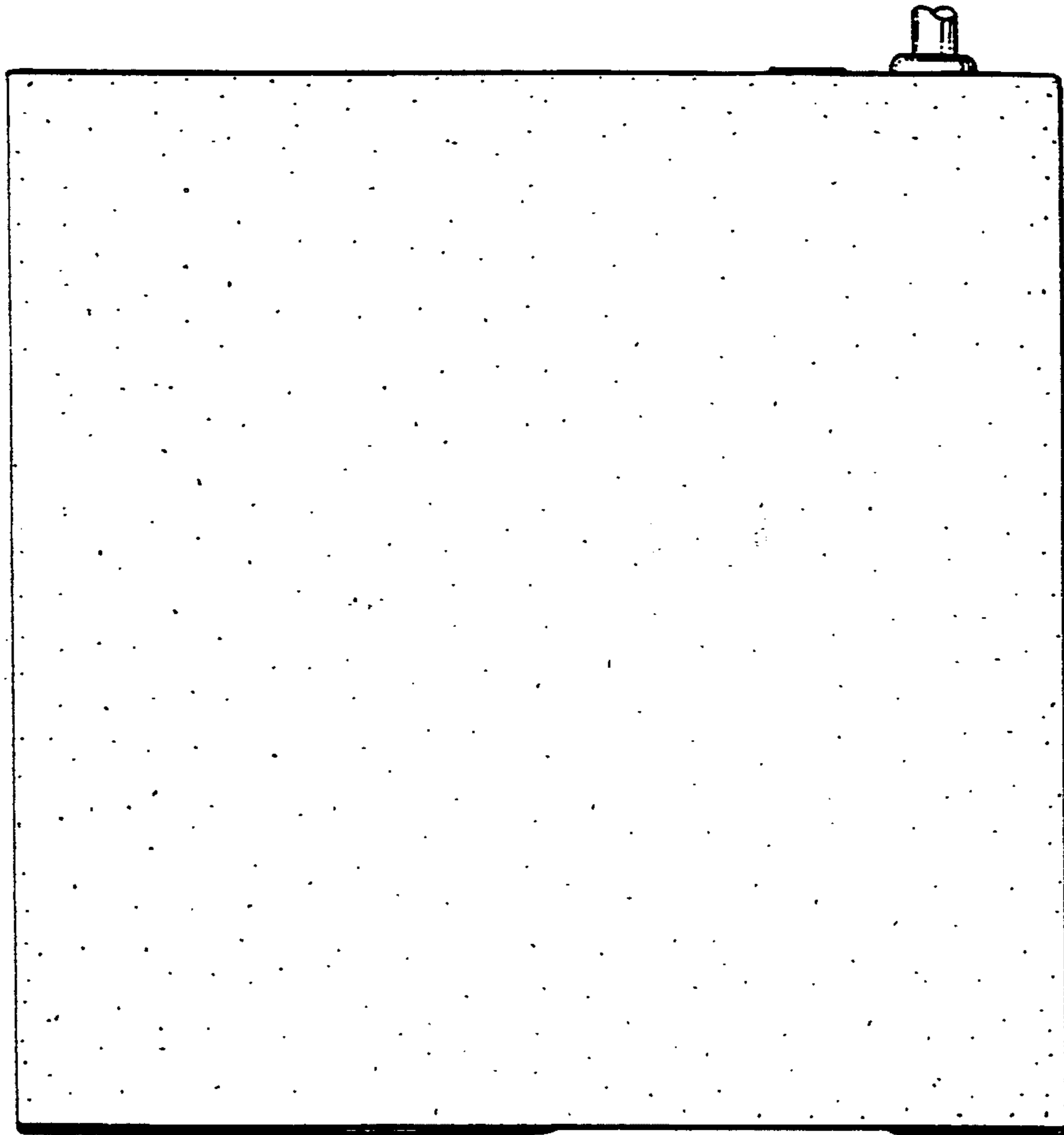


FIG. 2.

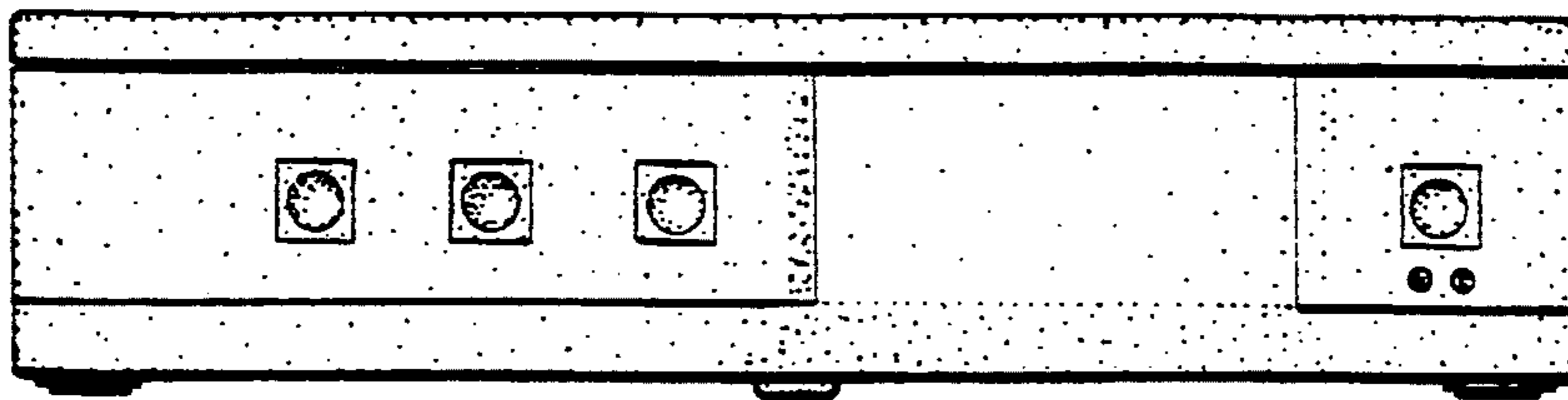


FIG. 3.

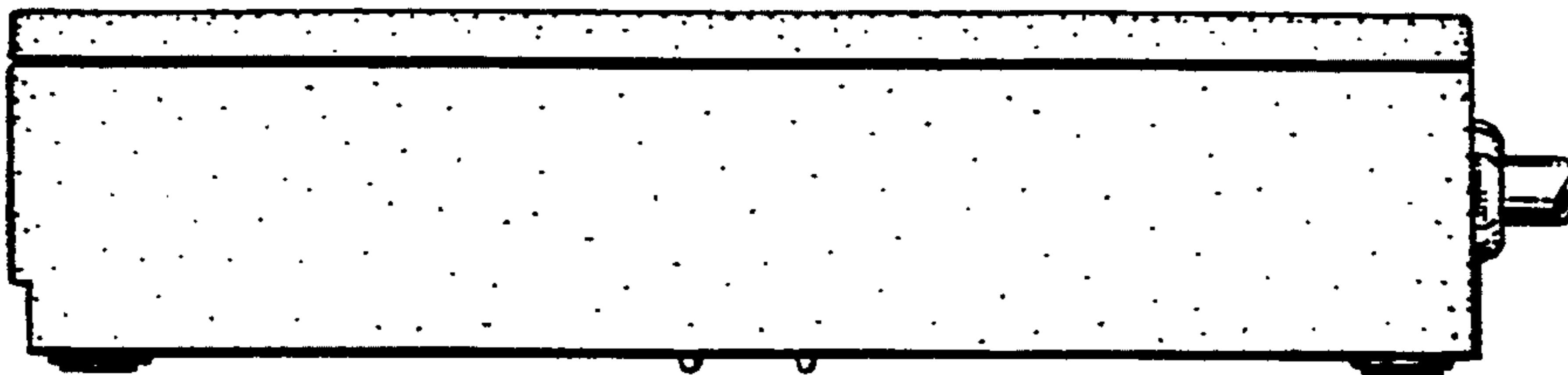


FIG. 4.

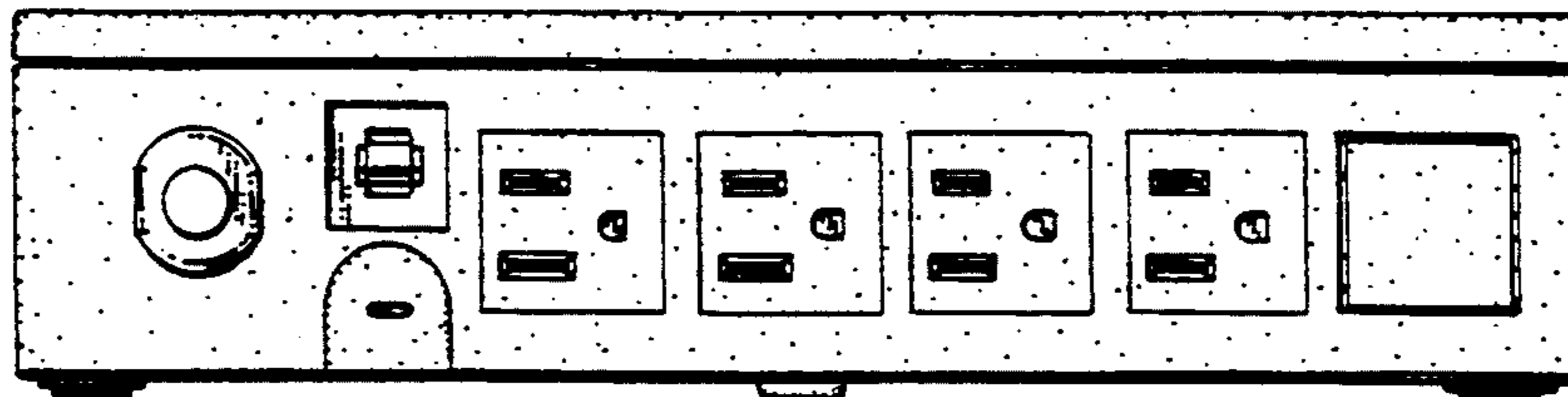


FIG. 5.

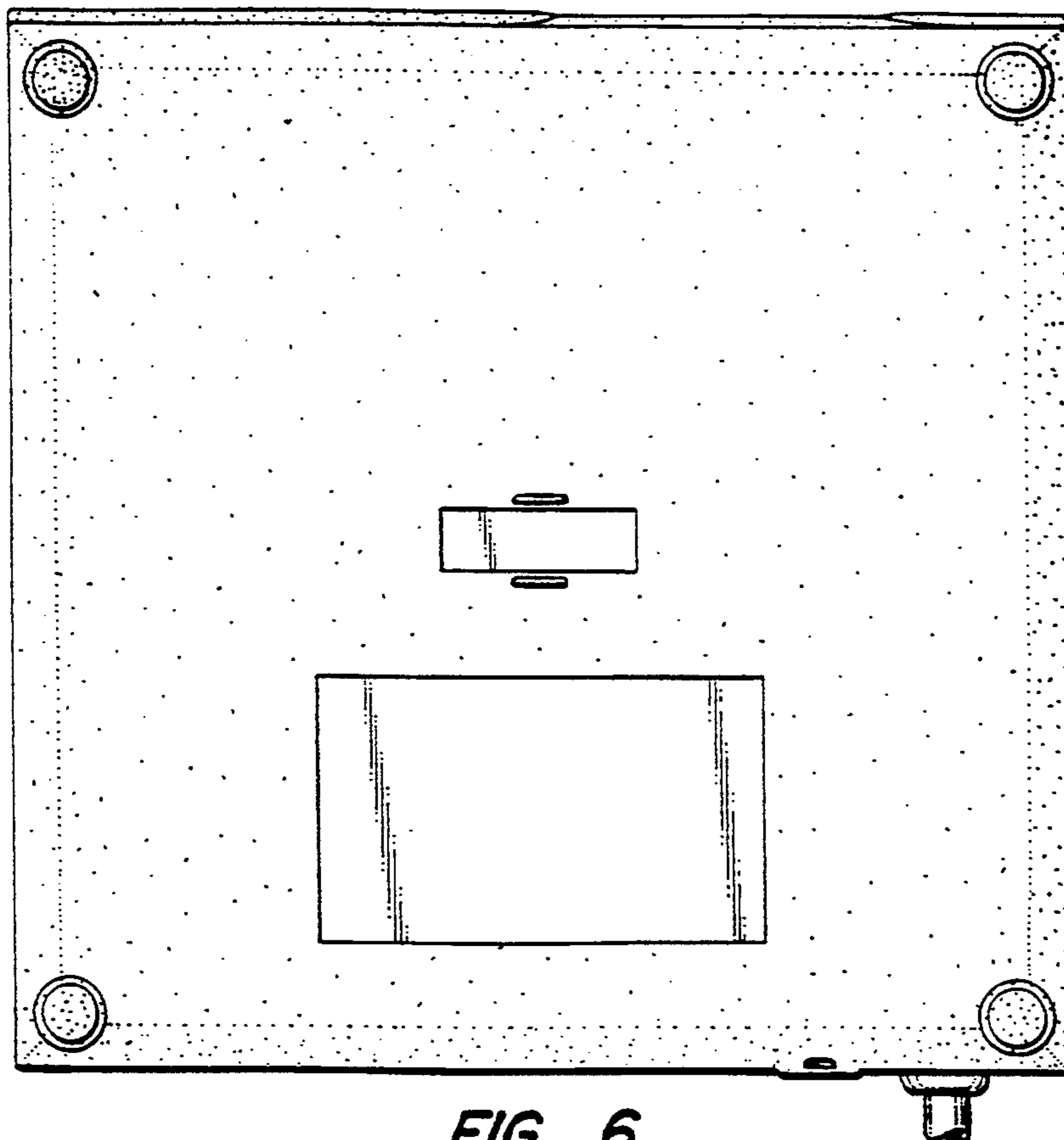


FIG. 6.

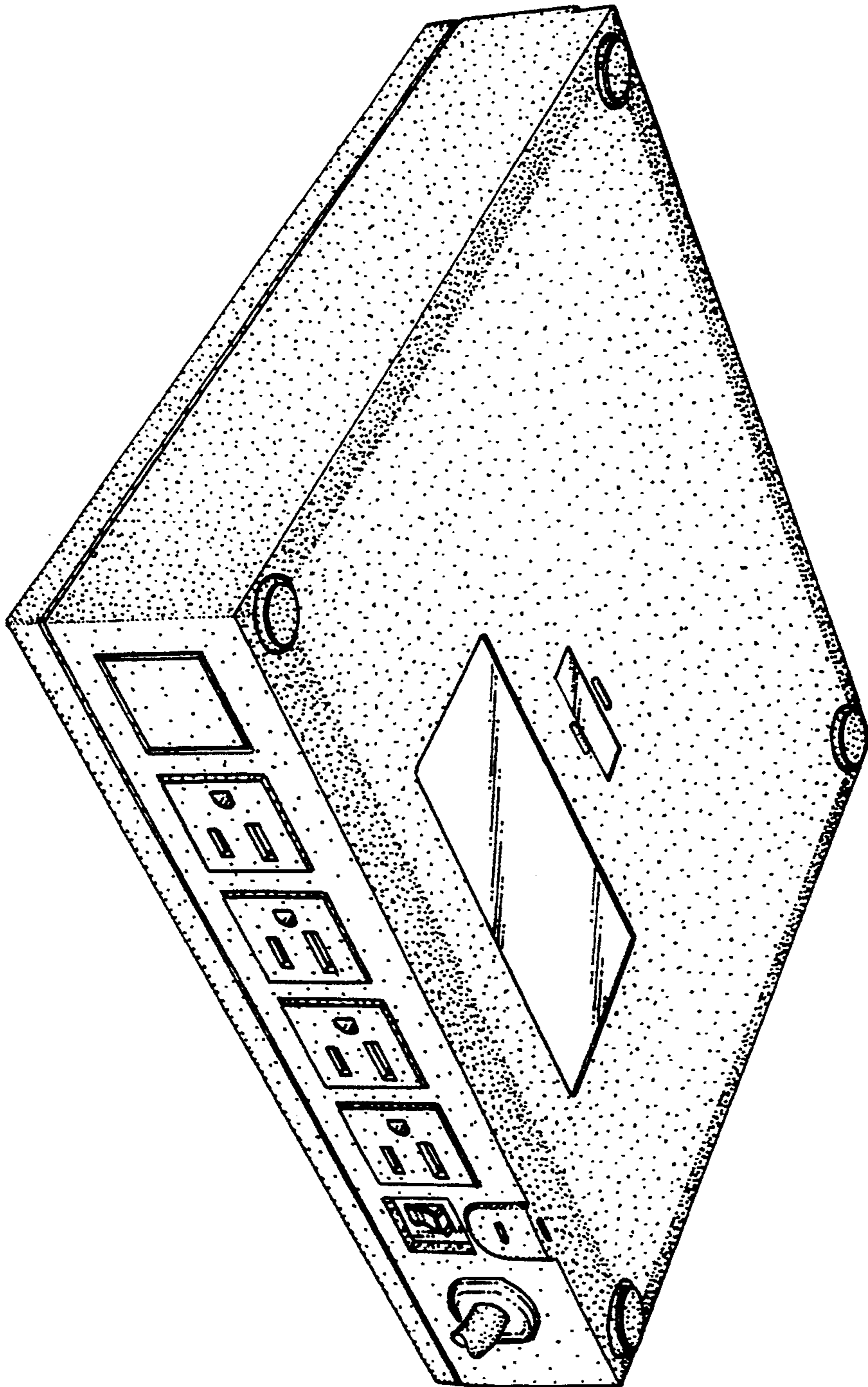


FIG. 7.