



US00D356296S

United States Patent [19]
Chapman

[11] **Patent Number: Des. 356,296**

[45] **Date of Patent: ** Mar. 14, 1995**

[54] **ELECTRICAL ADAPTOR**

[75] **Inventor: Paul Chapman, Lutz, Fla.**

[73] **Assignee: Critikon, Inc., Tampa, Fla.**

[**] **Term: 14 Years**

[21] **Appl. No.: 14,620**

[22] **Filed: Oct. 28, 1993**

[52] **U.S. Cl. D13/146**

[58] **Field of Search D13/133, 146, 147;
439/124, 675, 680**

[56] **References Cited**

U.S. PATENT DOCUMENTS

- D. 314,176 1/1991 Weber et al. D13/133
- D. 320,001 9/1991 Hirabayashi D13/146

- D. 325,191 4/1992 Shibano D13/147
- 3,885,849 5/1975 Bailey et al. D13/146 X
- 4,824,402 4/1989 Sorimachi 439/680

Primary Examiner—Joel Sincavage

[57] **CLAIM**

The ornamental design for an electrical adaptor, as shown and described.

DESCRIPTION

FIG. 1 is a perspective view of the electrical adaptor of the invention;

FIG. 2 is a top plan view thereof;

FIG. 3 is a bottom plan view thereof;

FIG. 4 is a left elevational view thereof;

FIG. 5 is a right elevational view thereof;

FIG. 6 is a front elevational view thereof; and,

FIG. 7 is a rear elevational view thereof.

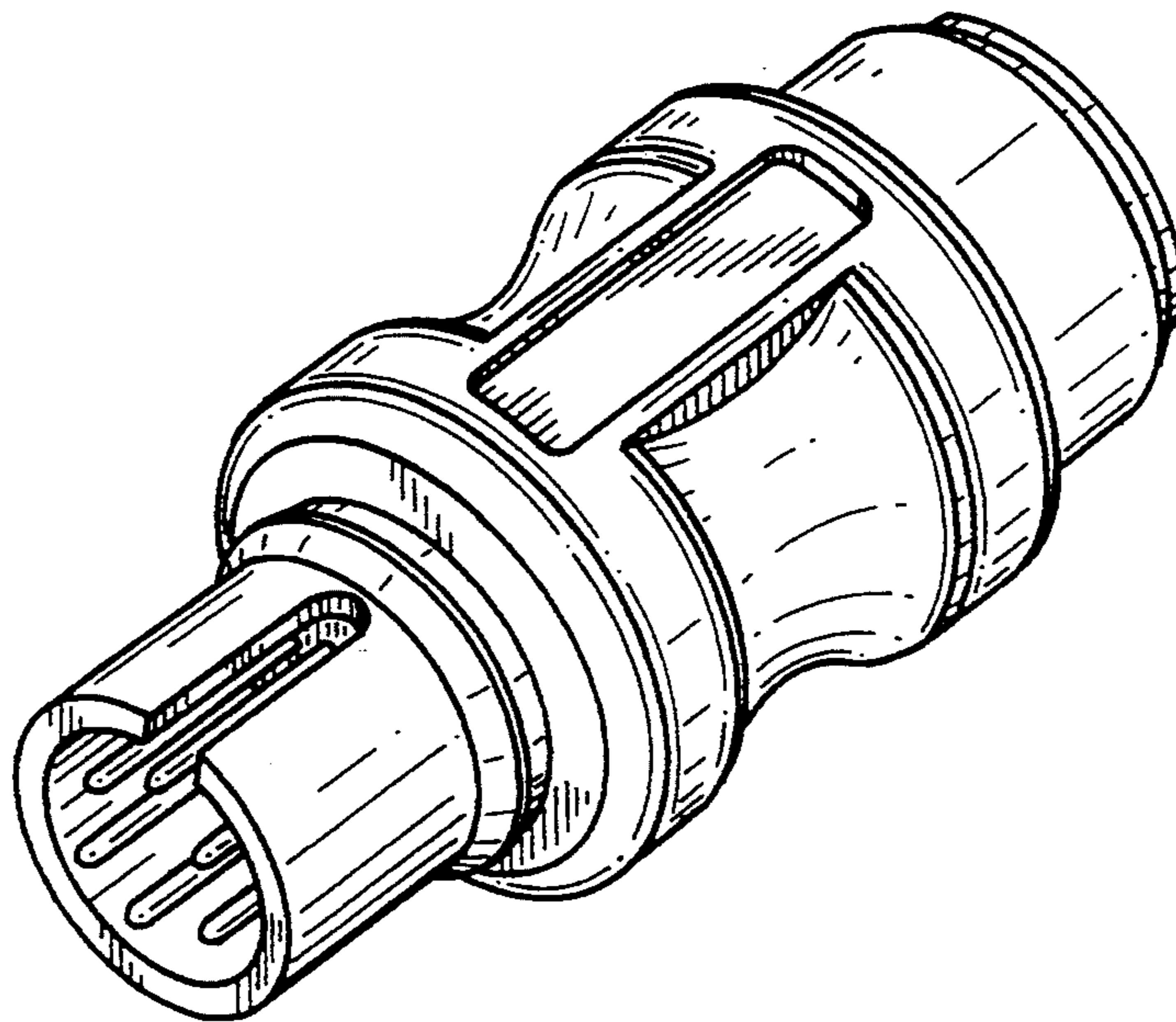


FIG-1

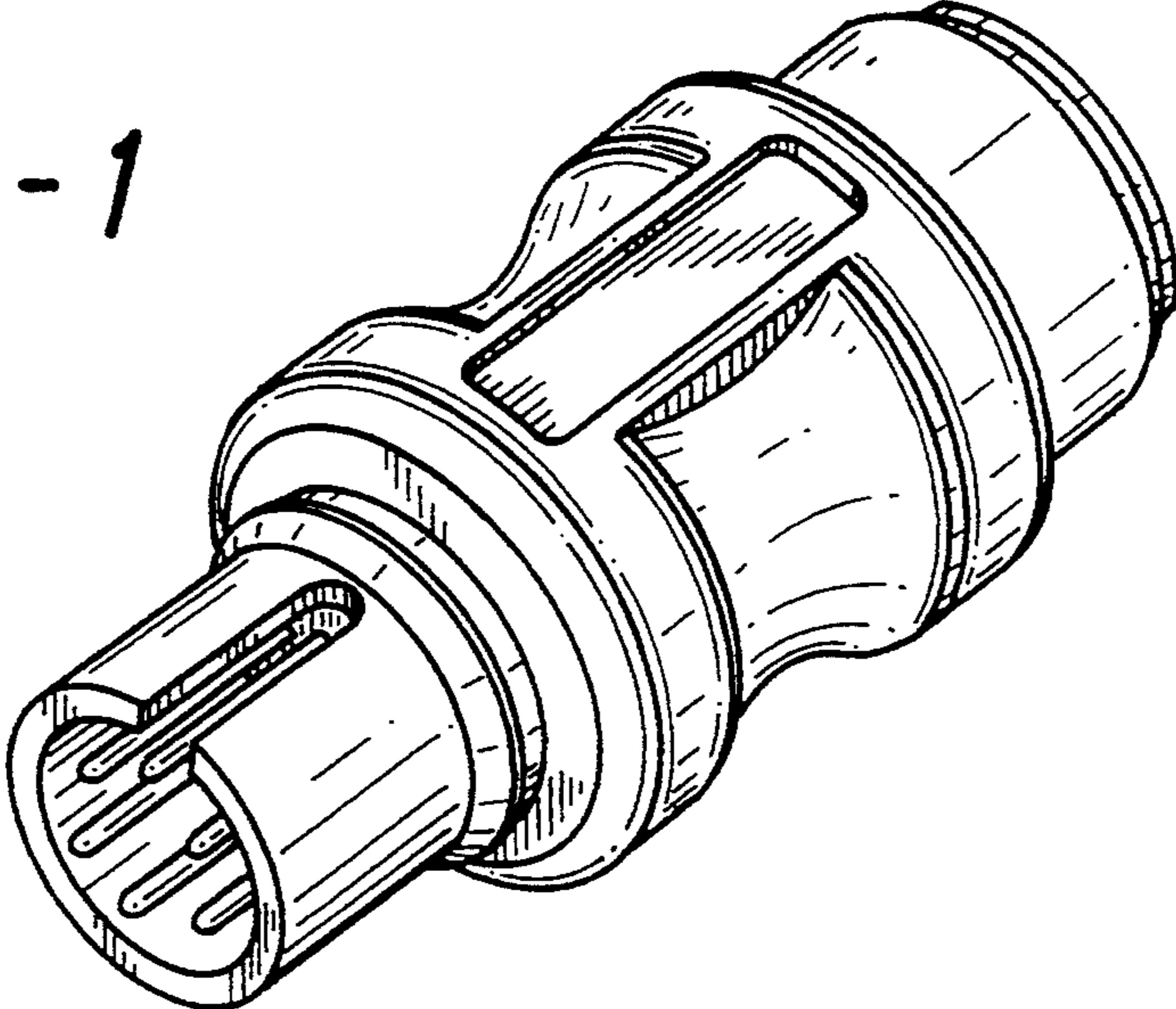


FIG-2

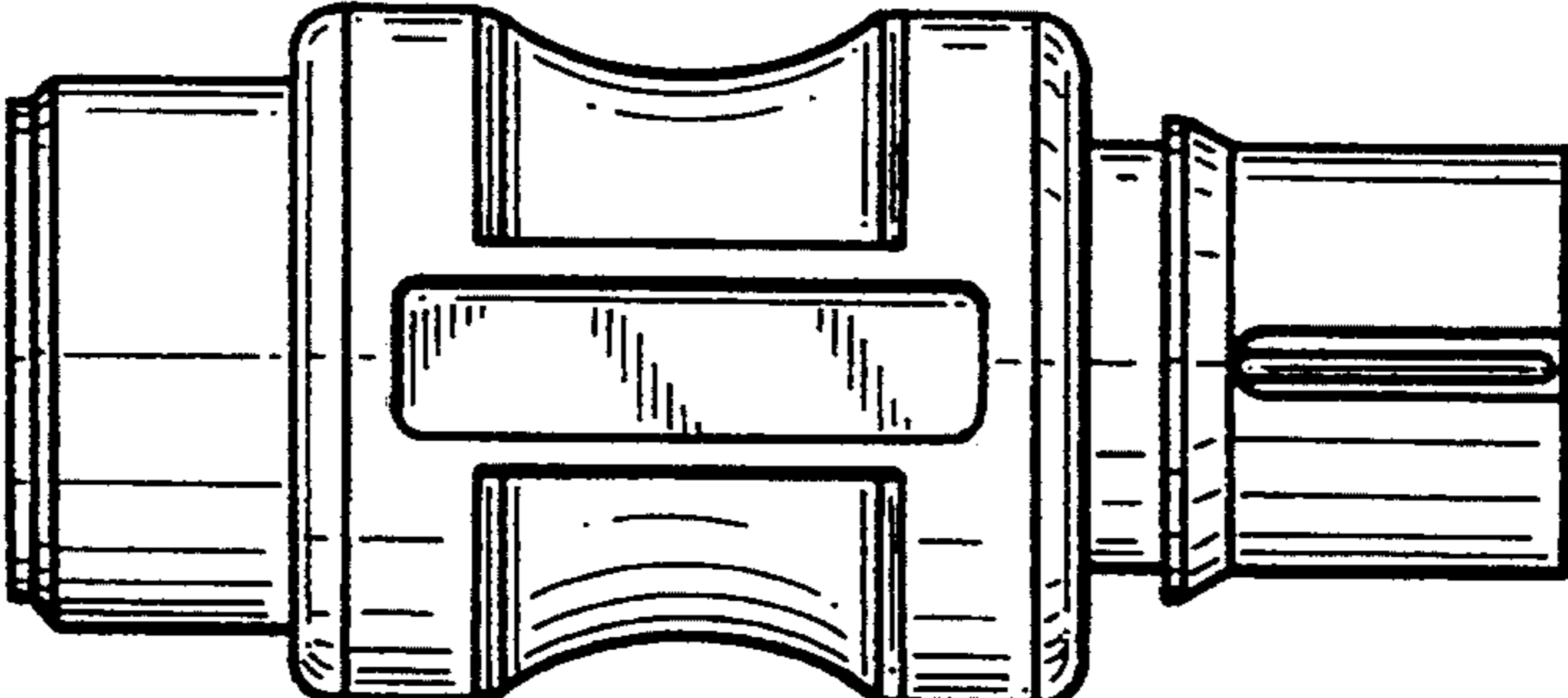


FIG-3

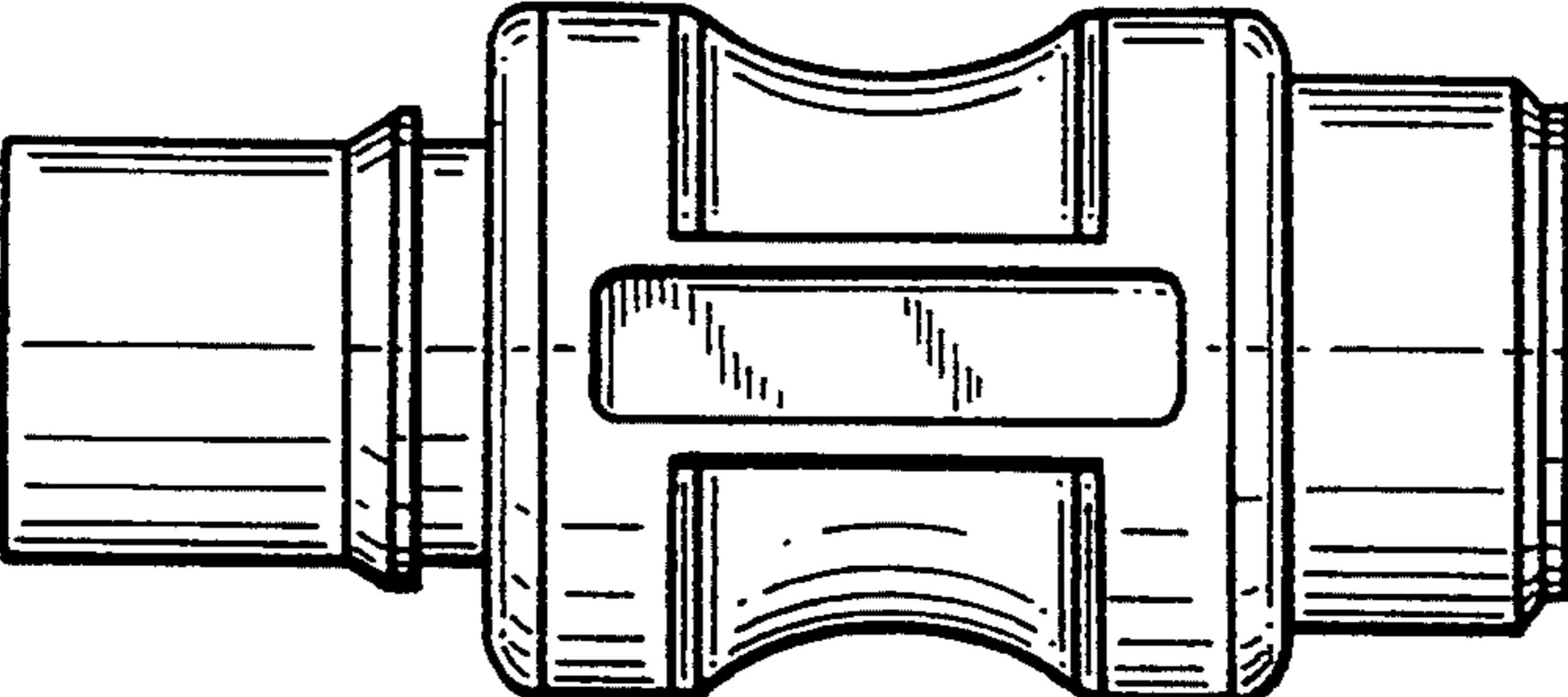


FIG-4

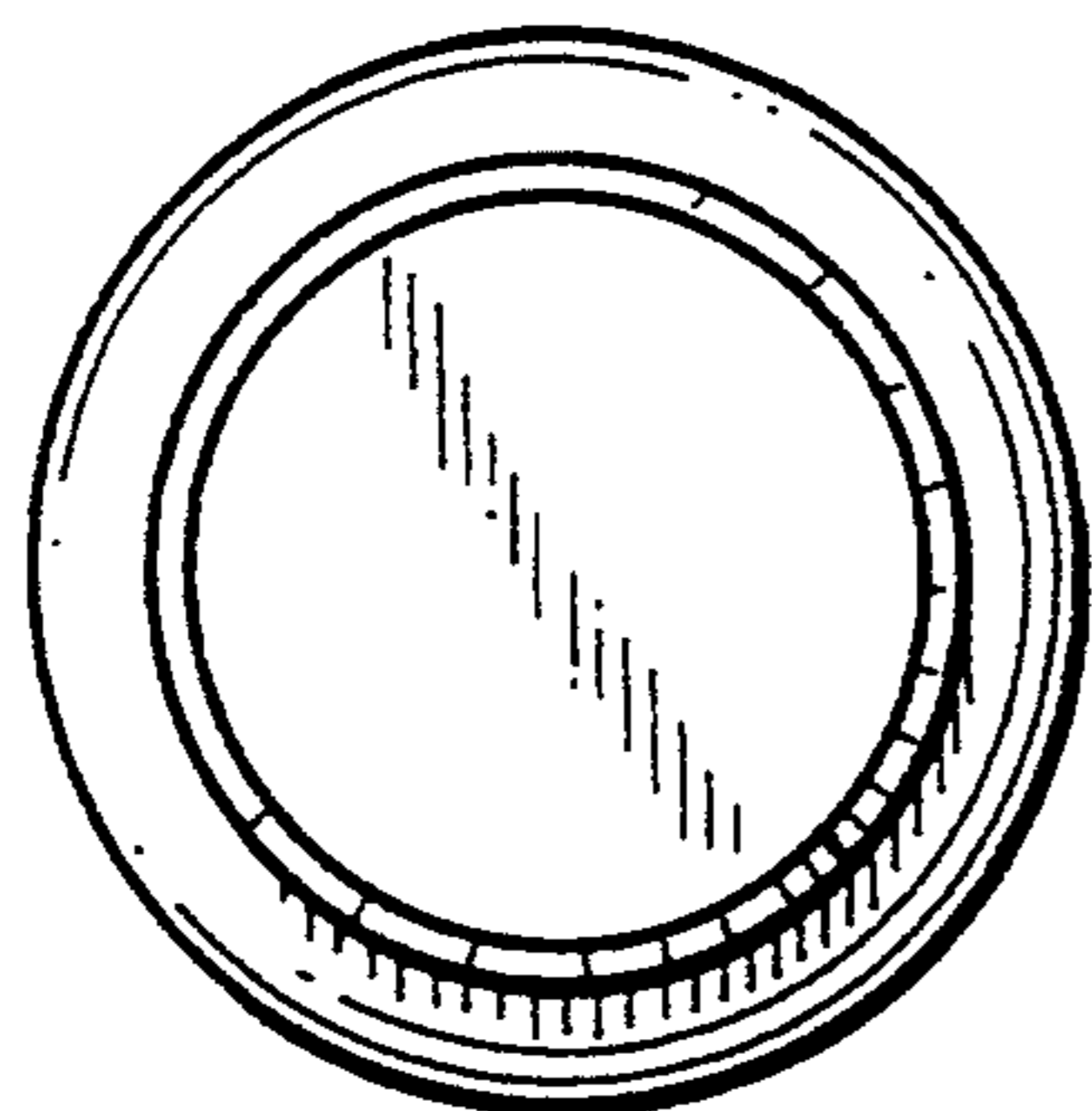


FIG-5

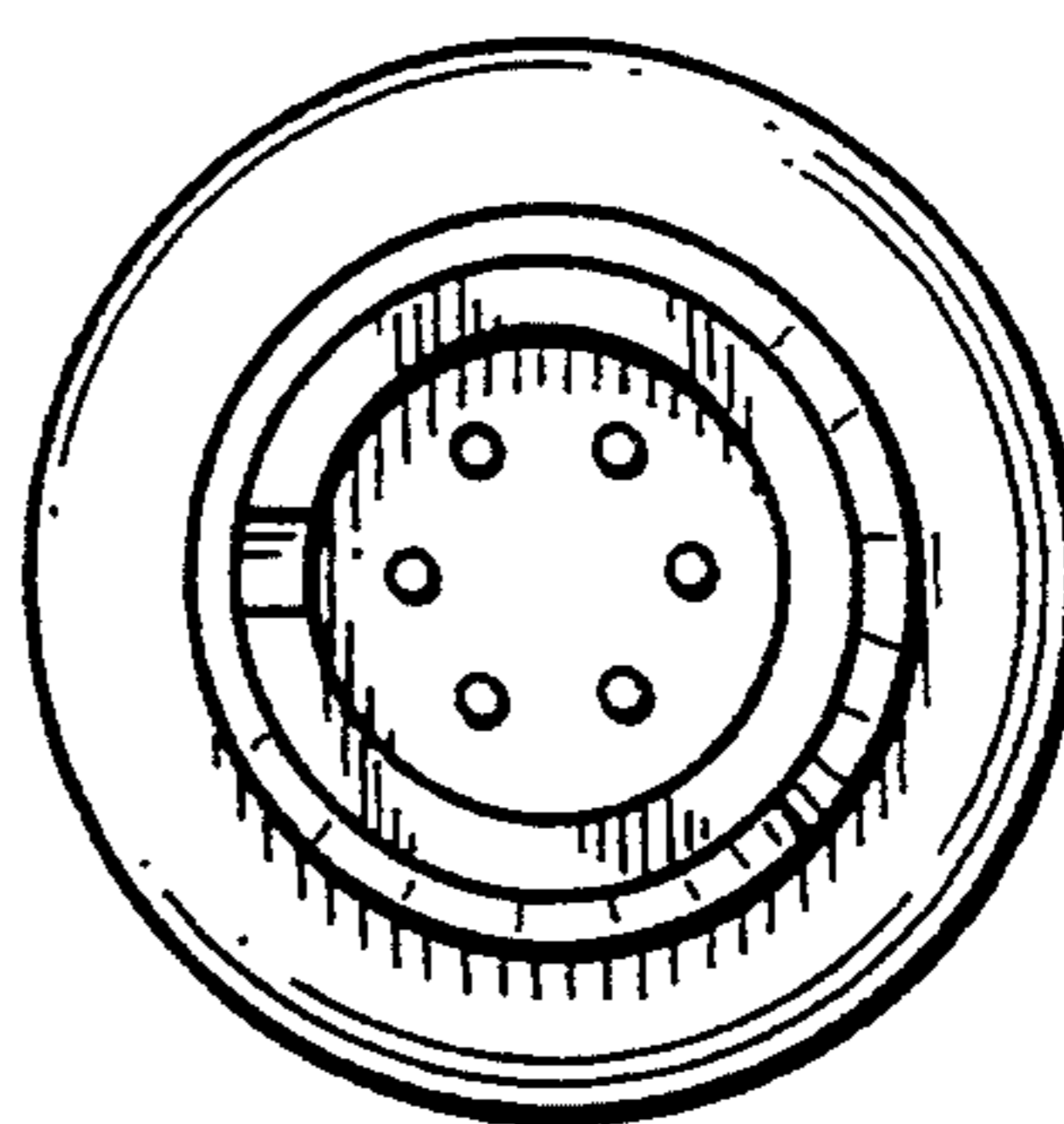


FIG-6

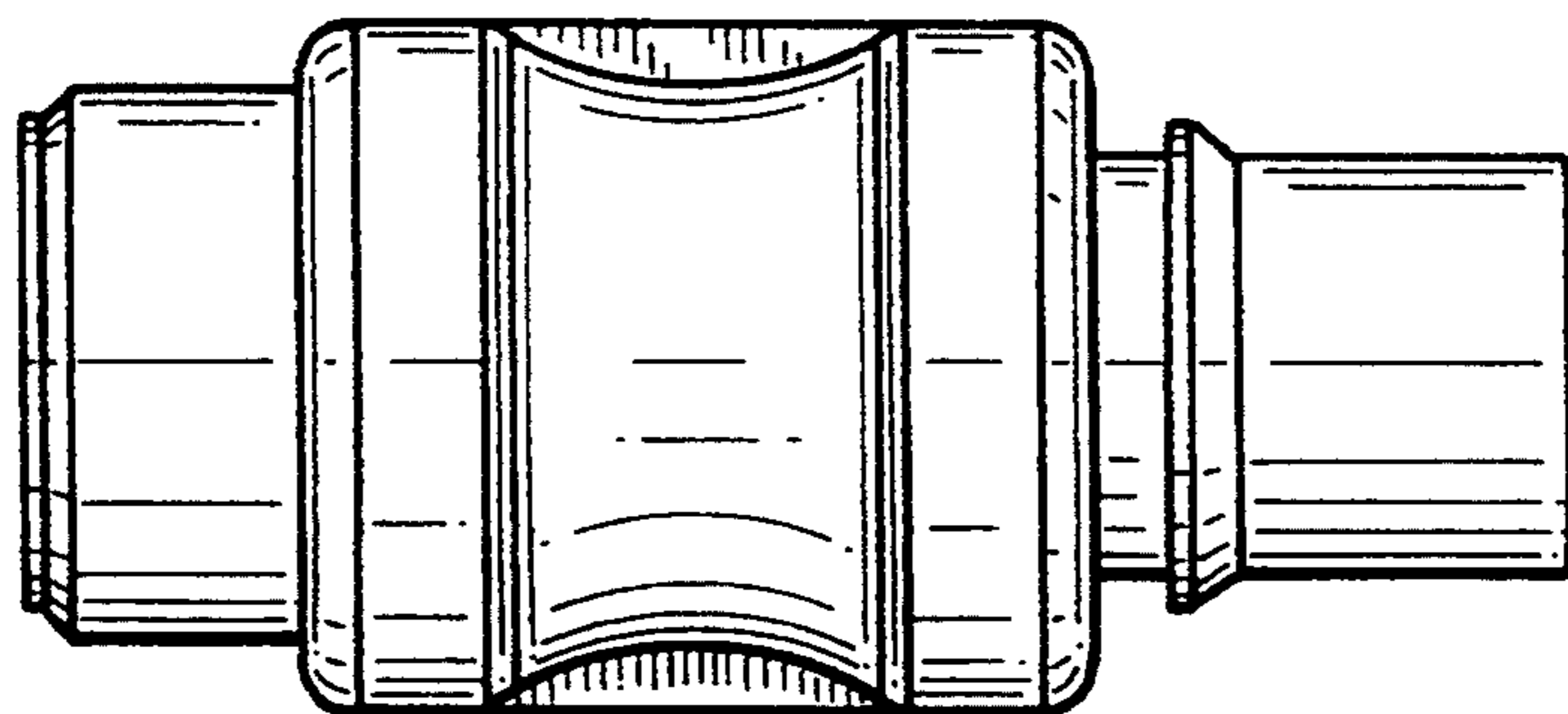


FIG-7

