



US00D356295S

United States Patent [19]

[11] Patent Number: **Des. 356,295**

Shoda et al.

[45] Date of Patent: **** Mar. 14, 1995**

[54] **AC POWER CONNECTOR**

[75] Inventors: **Thomas M. Shoda**, Foster City; **John Toor**, Palo Alto, both of Calif.

[73] Assignee: **Motorola, Inc.**, Schaumburg, Ill.

[**] Term: **14 Years**

[21] Appl. No.: **10,440**

[22] Filed: **Jul. 7, 1993**

[52] U.S. Cl. **D13/146**

[58] Field of Search **D13/133, 137, 146;**
439/535, 536, 540, 542, 606, 638, 650, 651, 653,
655, 660, 677, 685, 694

4,716,352 12/1987 Hurn et al. 320/2
 4,950,178 8/1990 Harvey et al. 439/655 X
 5,080,609 1/1992 Fabian et al. 439/450

FOREIGN PATENT DOCUMENTS

2189354 10/1987 United Kingdom 439/638

Primary Examiner—Joel Sincavage
Attorney, Agent, or Firm—Harold C. McGurk

[57] CLAIM

The ornamental design for the AC power connector, as shown and described.

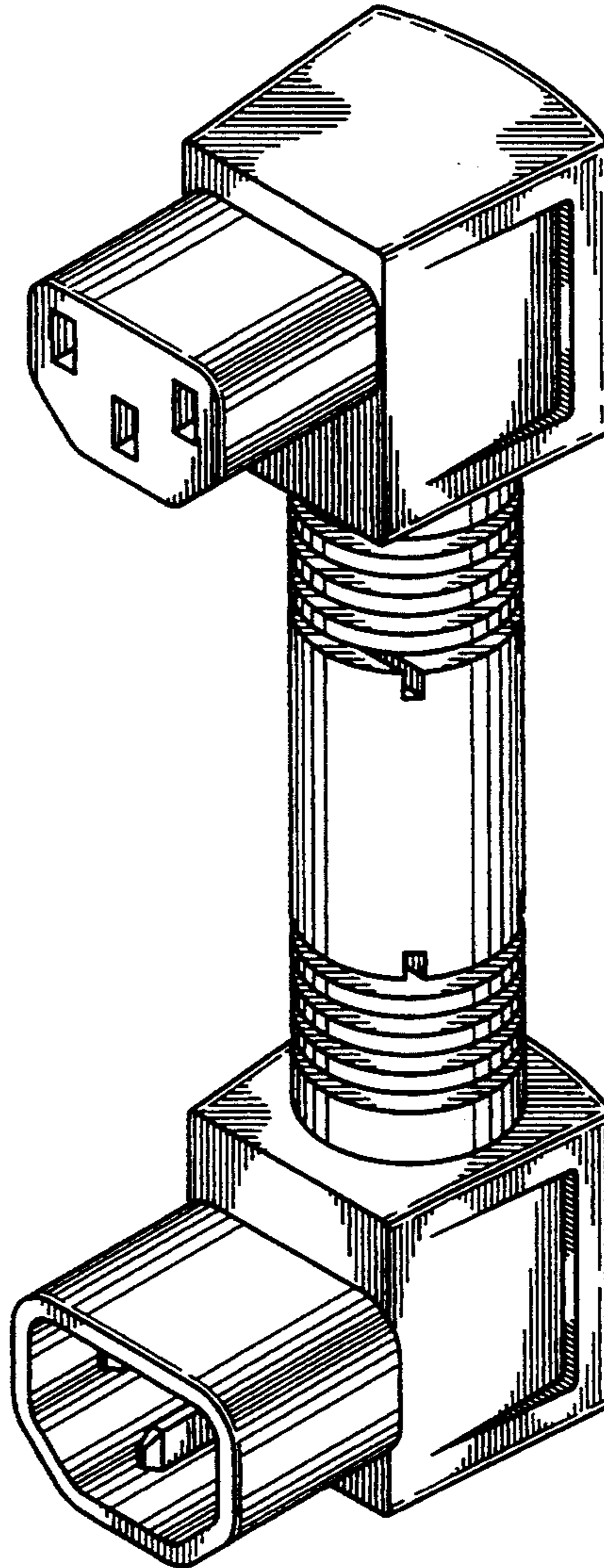
DESCRIPTION

FIG. 1 is a top, right and front perspective view showing a new design for an AC power connector; FIG. 2 is a left side plan view; FIG. 3 is a back plan view; and, FIG. 4 is a bottom plan view.

[56] **References Cited**

U.S. PATENT DOCUMENTS

D. 278,624 4/1985 Stone D13/146



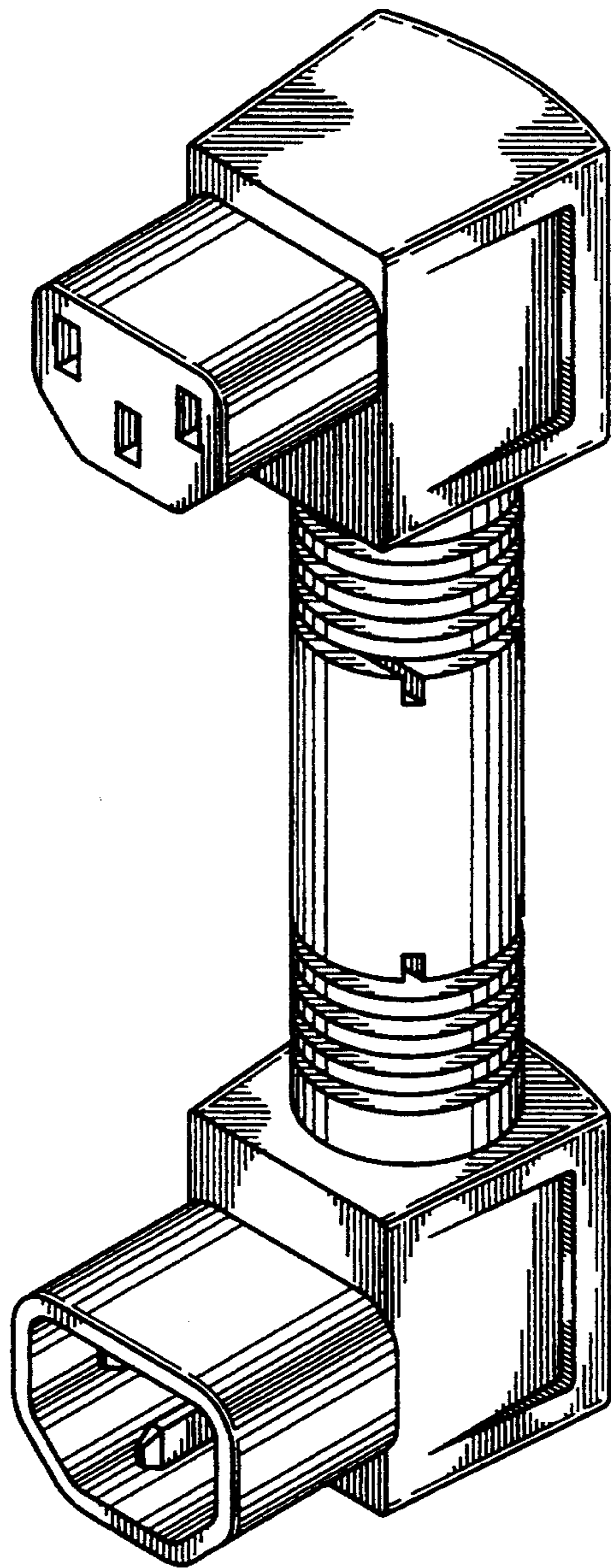


FIG. 1

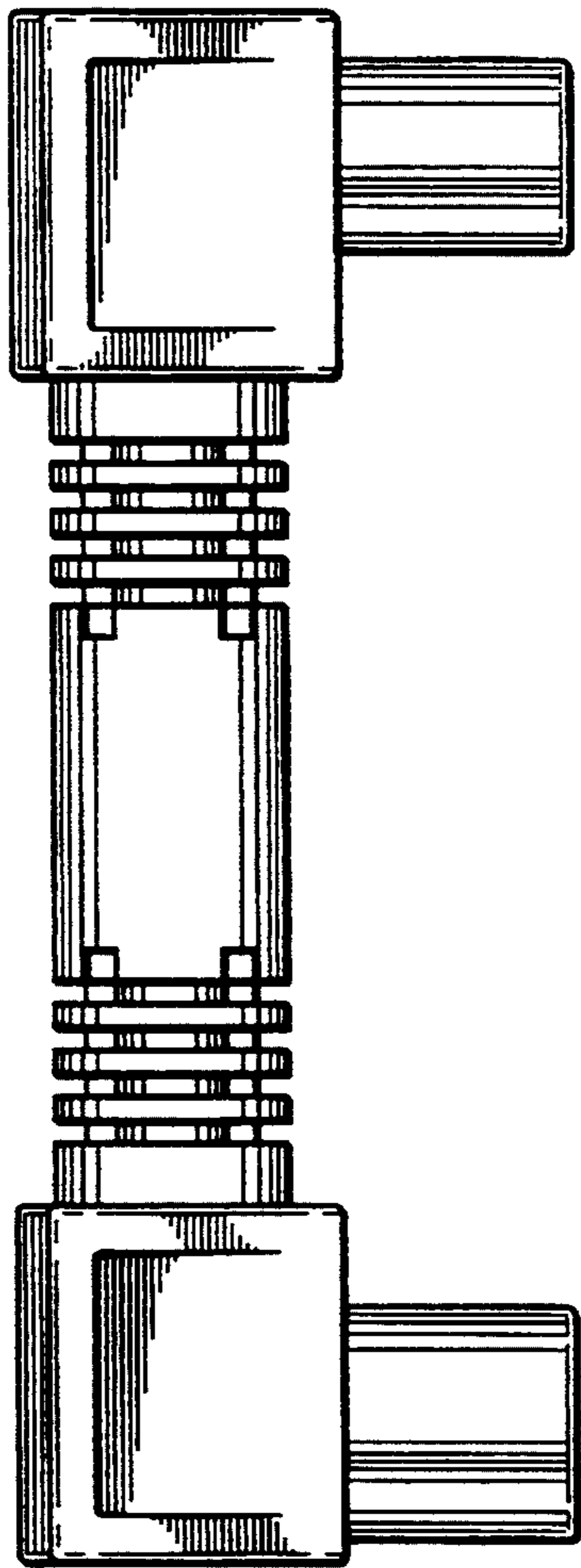


FIG. 2

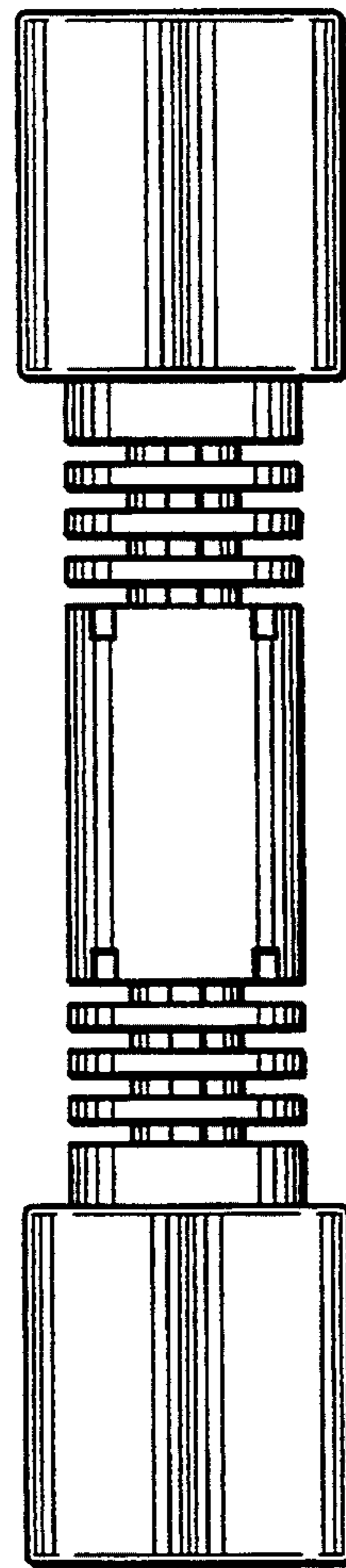


FIG. 3

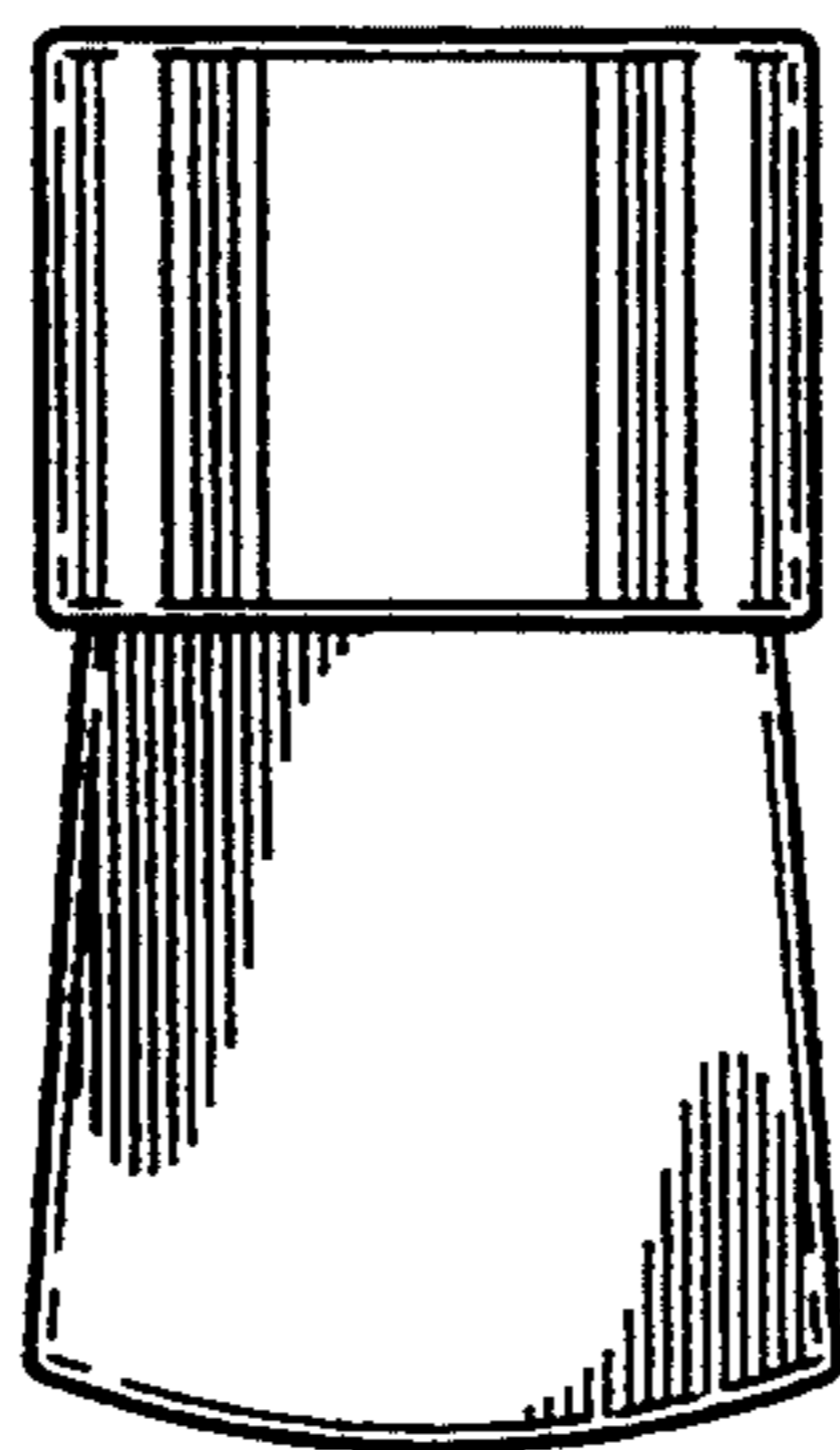


FIG. 4