



US00D356293S

United States Patent [19]

[11] Patent Number: **Des. 356,293**

Riley et al.

[45] Date of Patent: **** Mar. 14, 1995**

[54] SET OF CONNECTORS FOR A COMPUTER

1,642,064 9/1927 Engstrom 439/669
1,781,958 11/1930 Schellenger 439/669

[75] Inventors: **Raymond W. Riley; Ken R. Weber,**
both of San Jose; **Kenneth D. Wood,**
Woodside, all of Calif.

[73] Assignee: **Apple Computer, Inc.,** Cupertino,
Calif.

[**] Term: **14 Years**

[21] Appl. No.: **925,590**

[22] Filed: **Aug. 4, 1992**

OTHER PUBLICATIONS

Lemo USA Inc. "S" Series Connector Cat., p. 79,
Bridge Plug.

Primary Examiner—Melvin B. Feifer
Attorney, Agent, or Firm—Blakely, Sokoloff, Taylor &
Zafman

[57] CLAIM

The ornamental design for a set of connectors for a
computer, as shown and described.

Related U.S. Application Data

[62] Division of Ser. No. 424,909, Dec. 6, 1990, Pat. No. D.
332,098.

[52] U.S. Cl. **D13/133**

[58] Field of Search D13/133; 439/95, 609,
439/668, 669, 675, 693, 825

DESCRIPTION

FIG. 1 is a front perspective view of a set of connectors
for a computer showing our new design;
FIG. 2 is a top plan view thereof;
FIG. 3 is a bottom plan view thereof;
FIG. 4 is a left side elevational view thereof;
FIG. 5 is a right side elevational view thereof;
FIG. 6 is a front elevational view thereof; and,
FIG. 7 is a rear elevational view thereof.

The cord member has been shown in fragment in FIGS.
1 to 7 to indicate indeterminate length.

[56] References Cited

U.S. PATENT DOCUMENTS

D. 267,713 1/1983 Noda et al. D13/133
D. 298,313 11/1988 De Jong D13/133
D. 316,076 4/1991 Keating D13/133

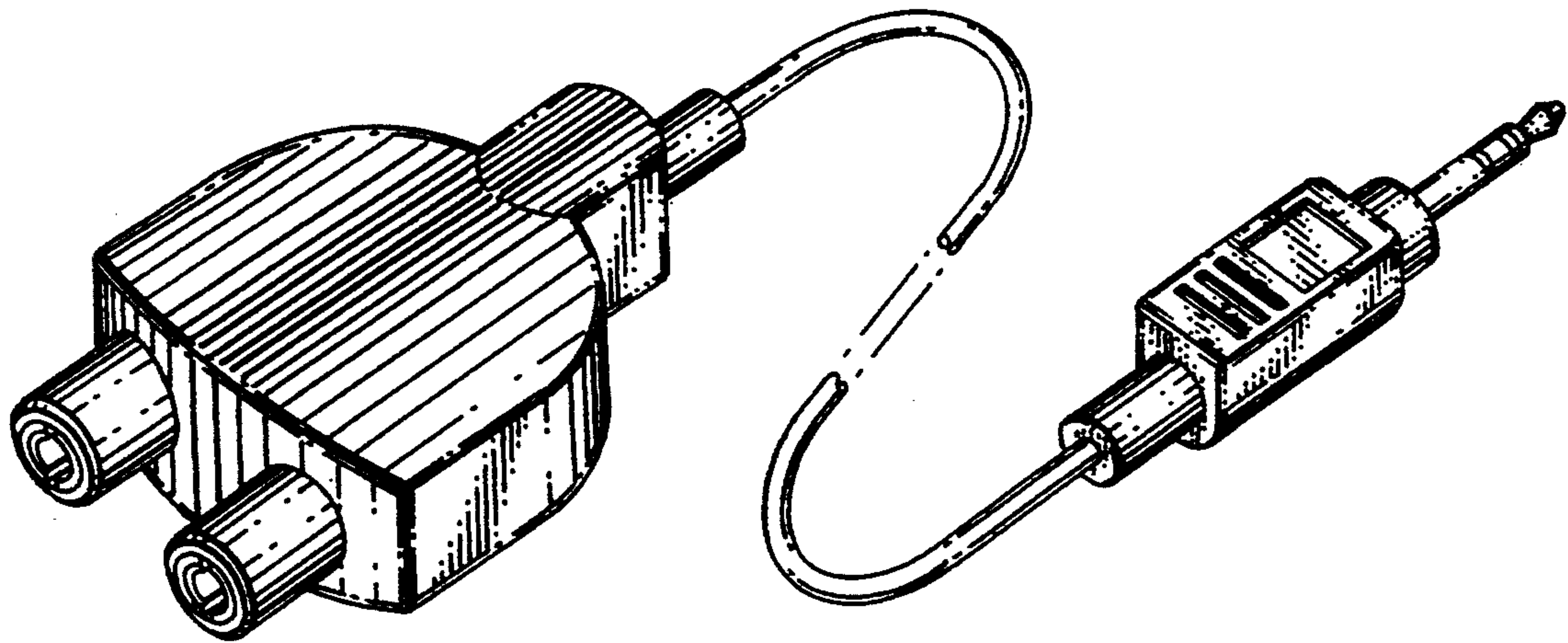


FIG 1

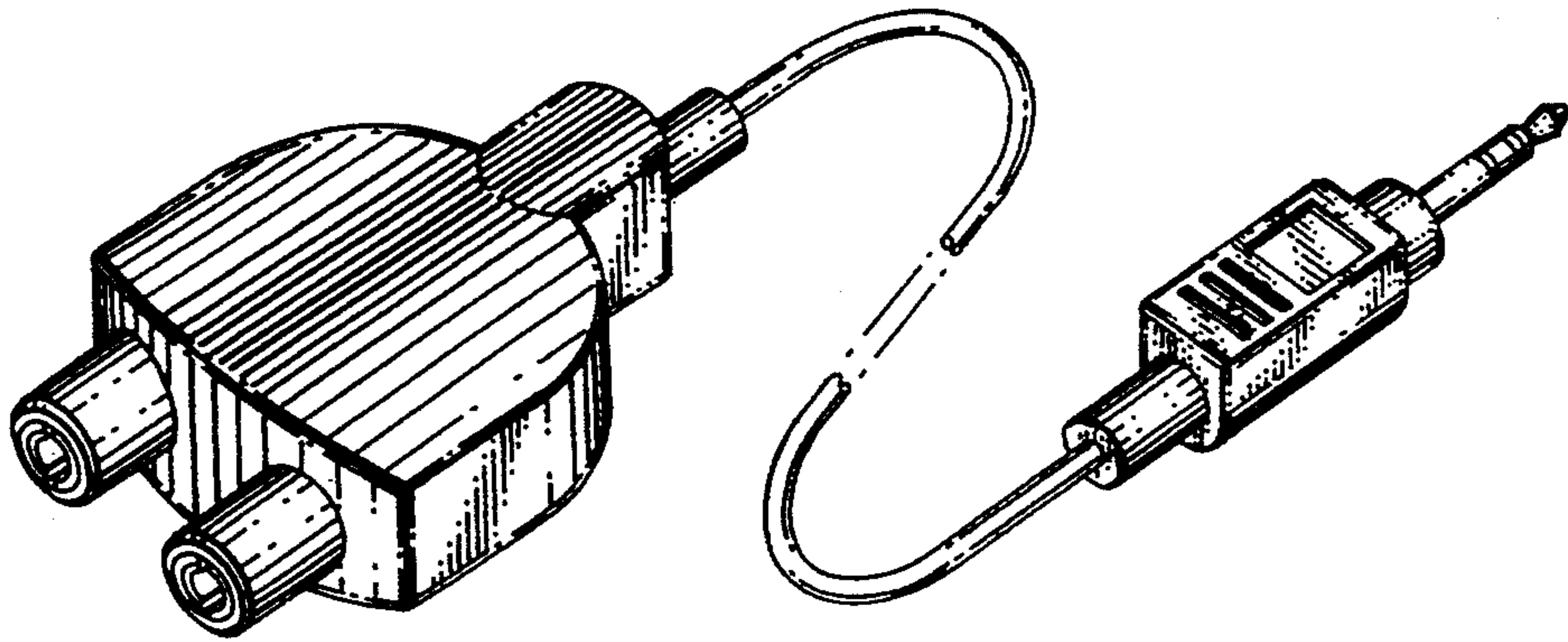


FIG 2

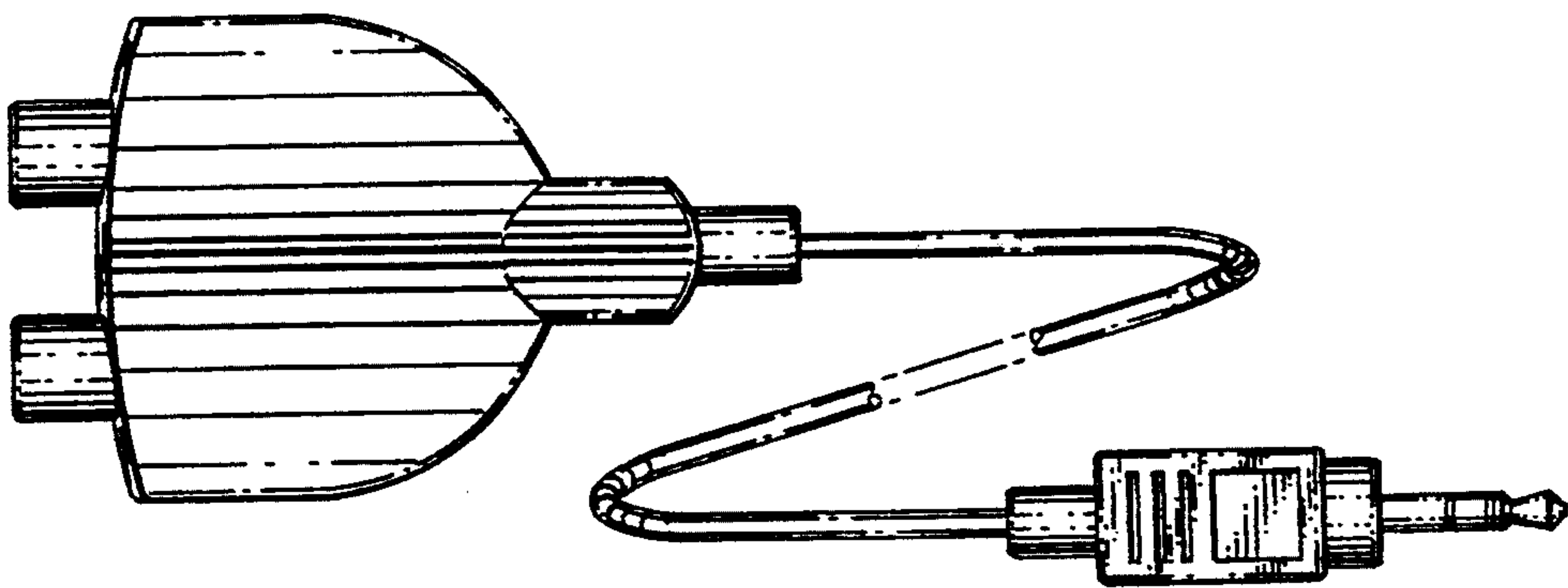


FIG 3

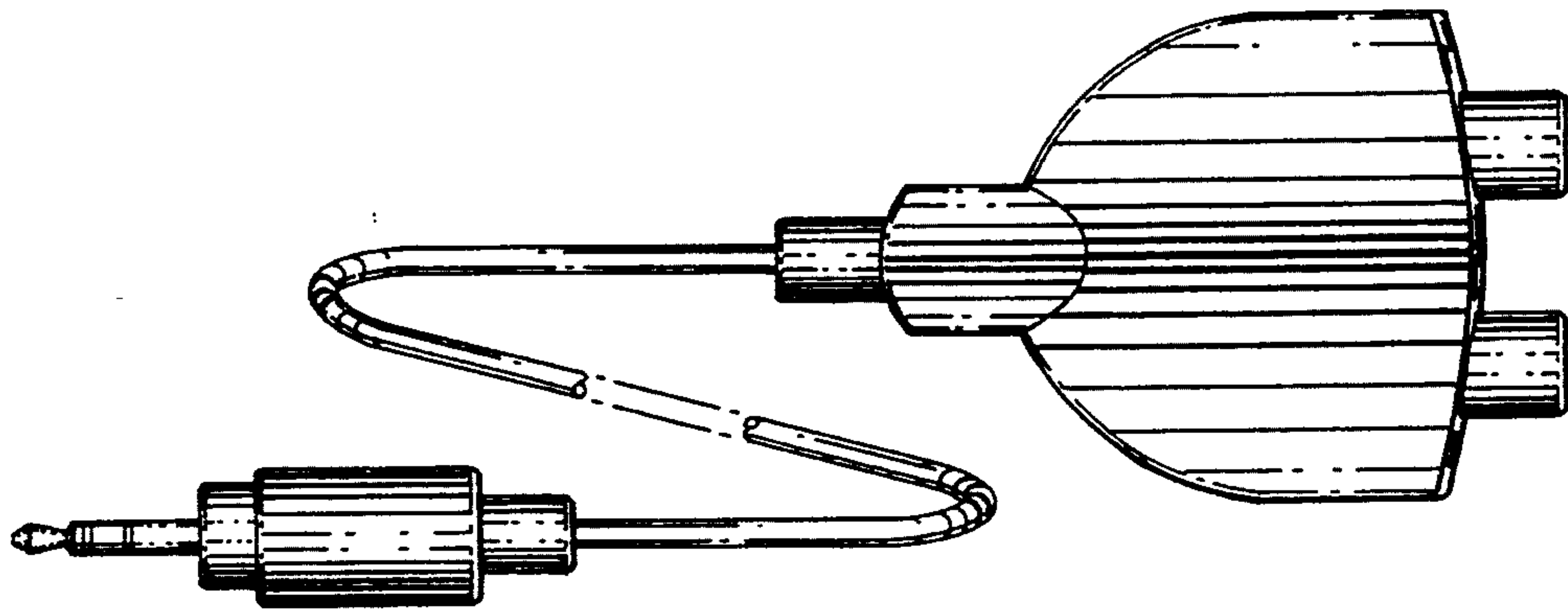


FIG 4

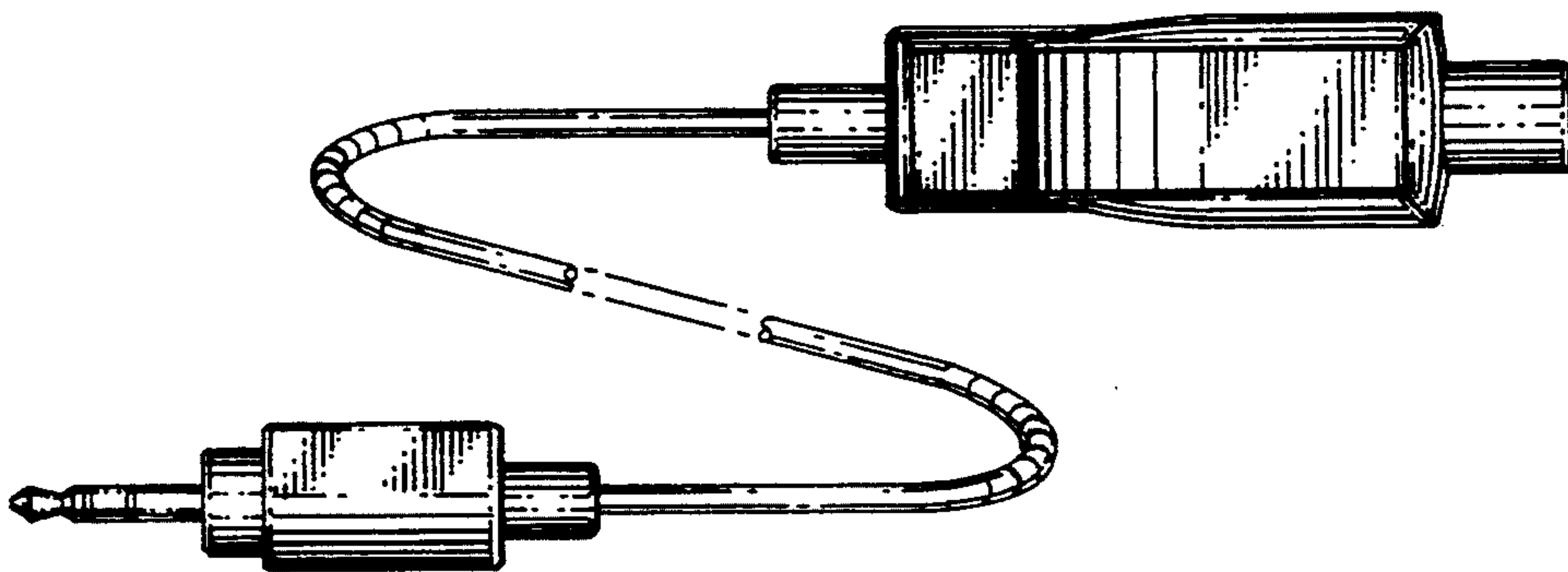


FIG 5

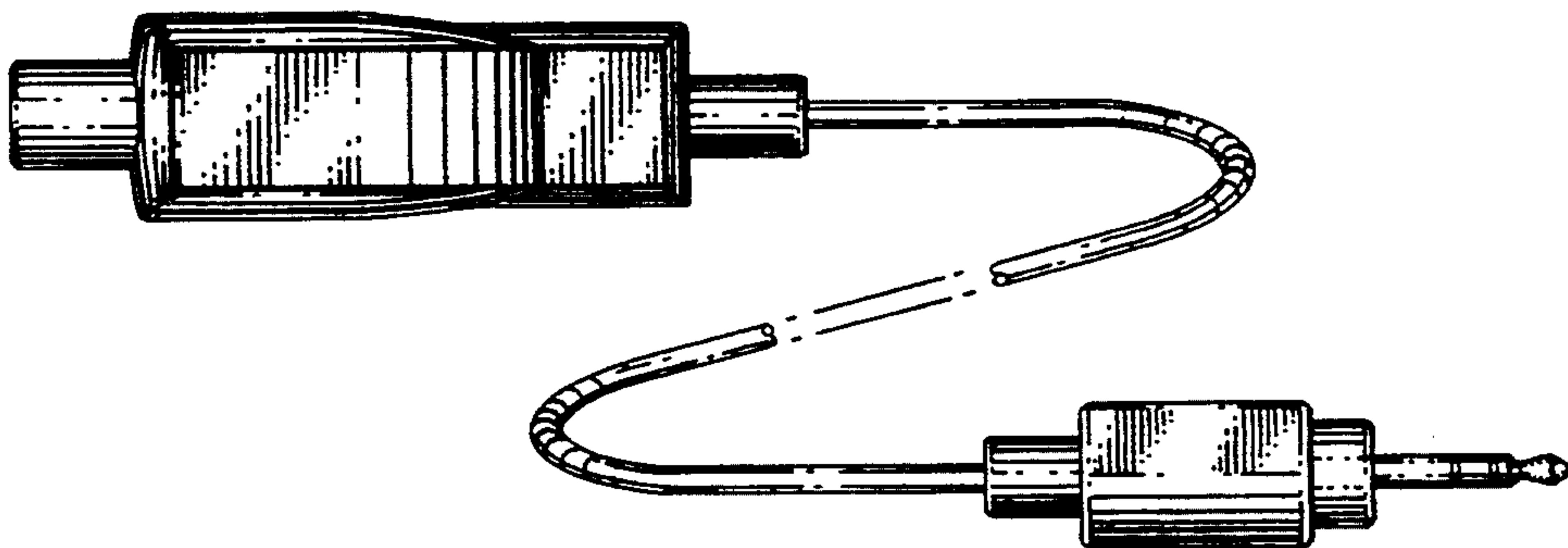


FIG 6

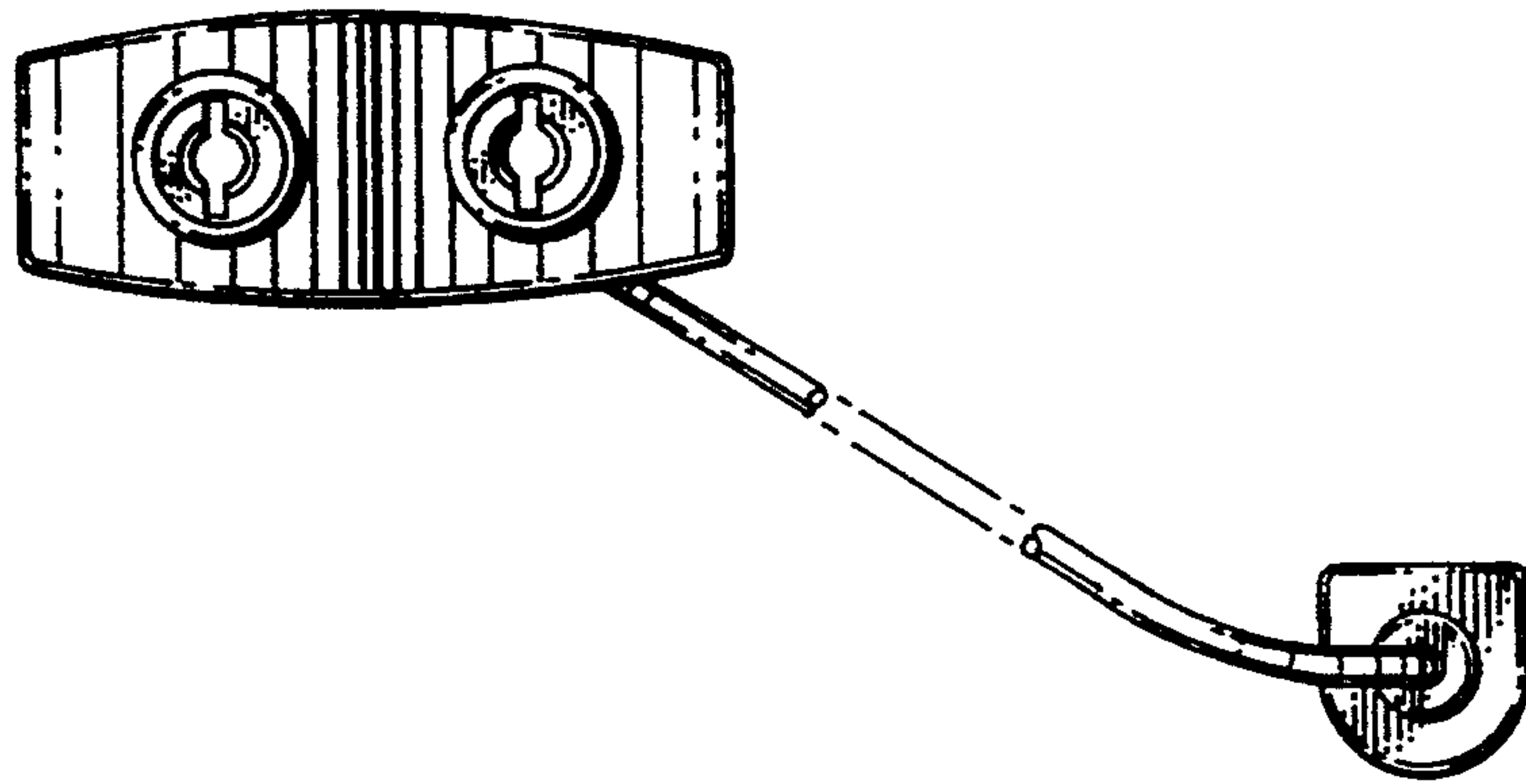


FIG 7

