



US00D356292S

United States Patent [19]

Kelly et al.

[11] Patent Number: **Des. 356,292**

[45] Date of Patent: **** Mar. 14, 1995**

[54] **ELECTRIC POWER DISTRIBUTION APPARATUS**

[75] Inventors: **Michael W. Kelly, Joliet, Ill.; Glenn F. Jorgensen, Ridgewood, N.J.**

[73] Assignees: **Power House Tool, Inc., Joliet, Ill.; JNT Technical Services Inc., Little Ferry, N.J.**

[**] Term: **14 Years**

[21] Appl. No.: **22,043**

[22] Filed: **Apr. 28, 1994**

[52] U.S. Cl. **D13/123**

[58] Field of Search **D13/109, 110, 123; 361/601, 603, 605, 606, 622; 307/150**

[56] **References Cited**

U.S. PATENT DOCUMENTS

D. 122,482	9/1940	Fletcher	D13/109
5,039,930	8/1991	Collier et al.	307/150 X
5,212,623	5/1993	Wilson et al.	361/622 X

Primary Examiner—Joel Sincavage

Attorney, Agent, or Firm—Hill, Steadman & Simpson

[57] CLAIM

The ornamental design for an electric power distribution apparatus, as shown and described.

DESCRIPTION

FIG. 1 is a perspective view of an electrical power distribution apparatus;

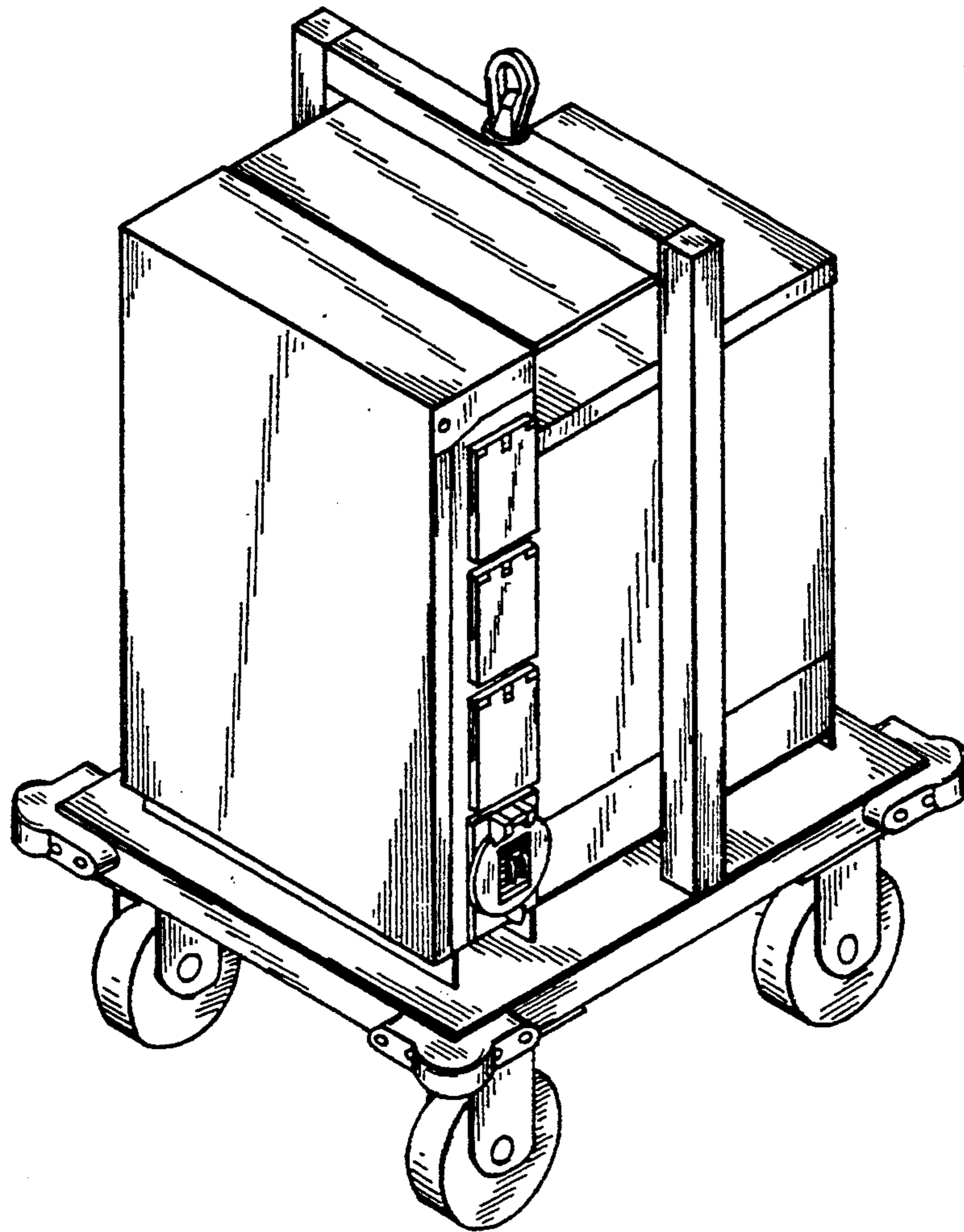
FIG. 2 is a top view of an electric power distribution apparatus;

FIG. 3 is a left side view of the apparatus of FIG. 1;

FIG. 4 is a front view of the apparatus of FIG. 1;

FIG. 5 is a right side view of the apparatus of FIG. 1; and,

FIG. 6 is a rear view of the apparatus of FIG. 1.



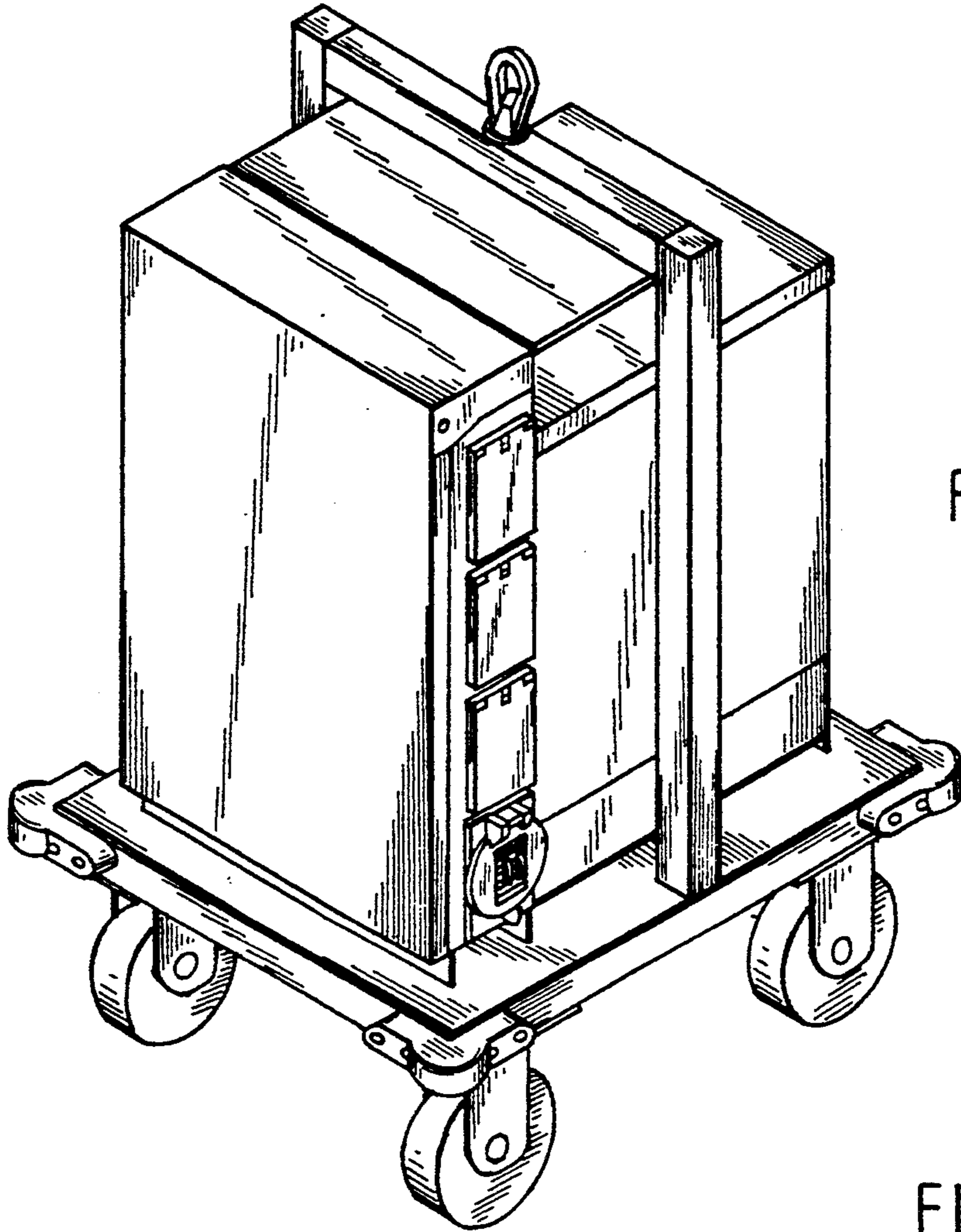


FIG. 1

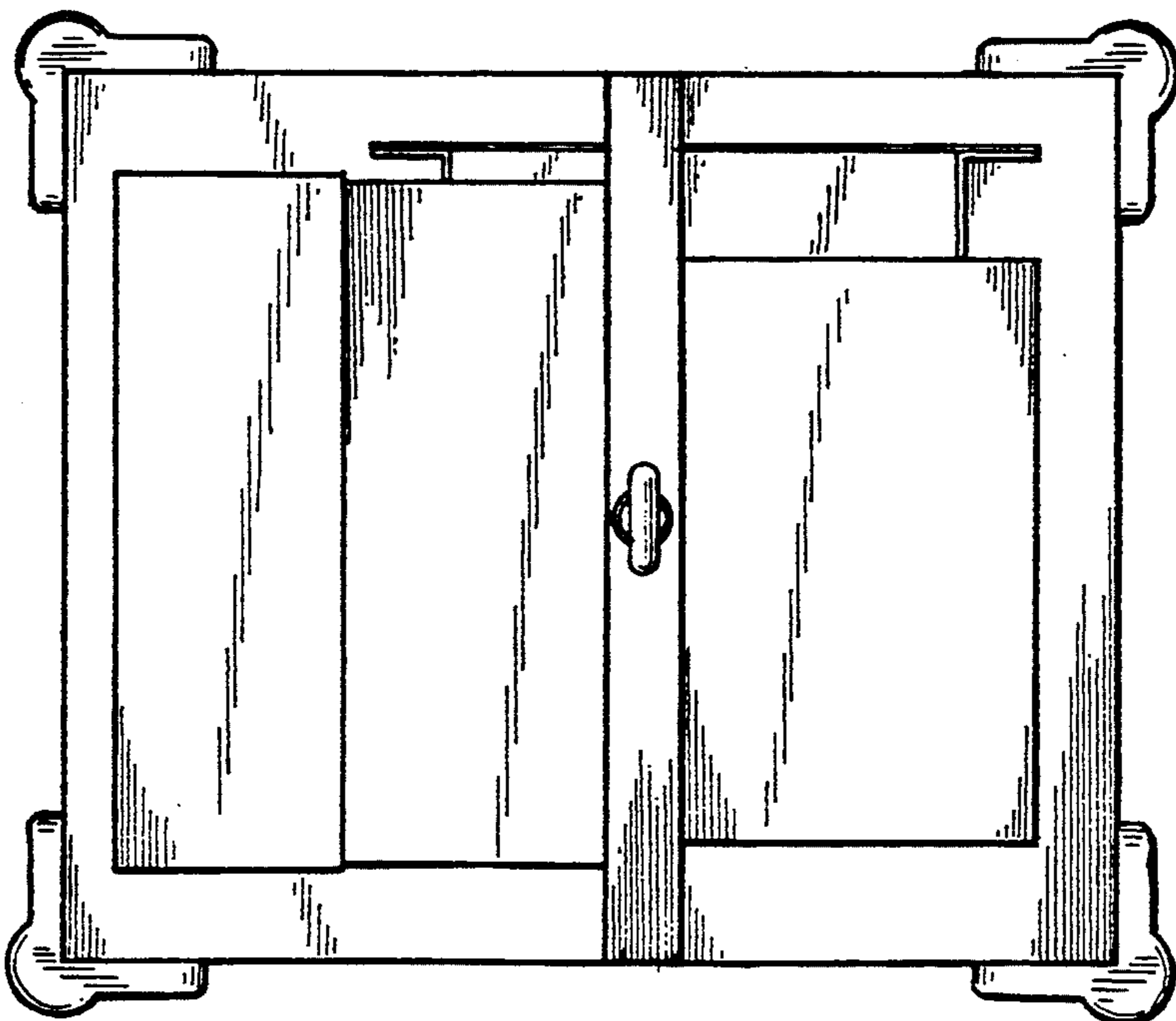


FIG. 2

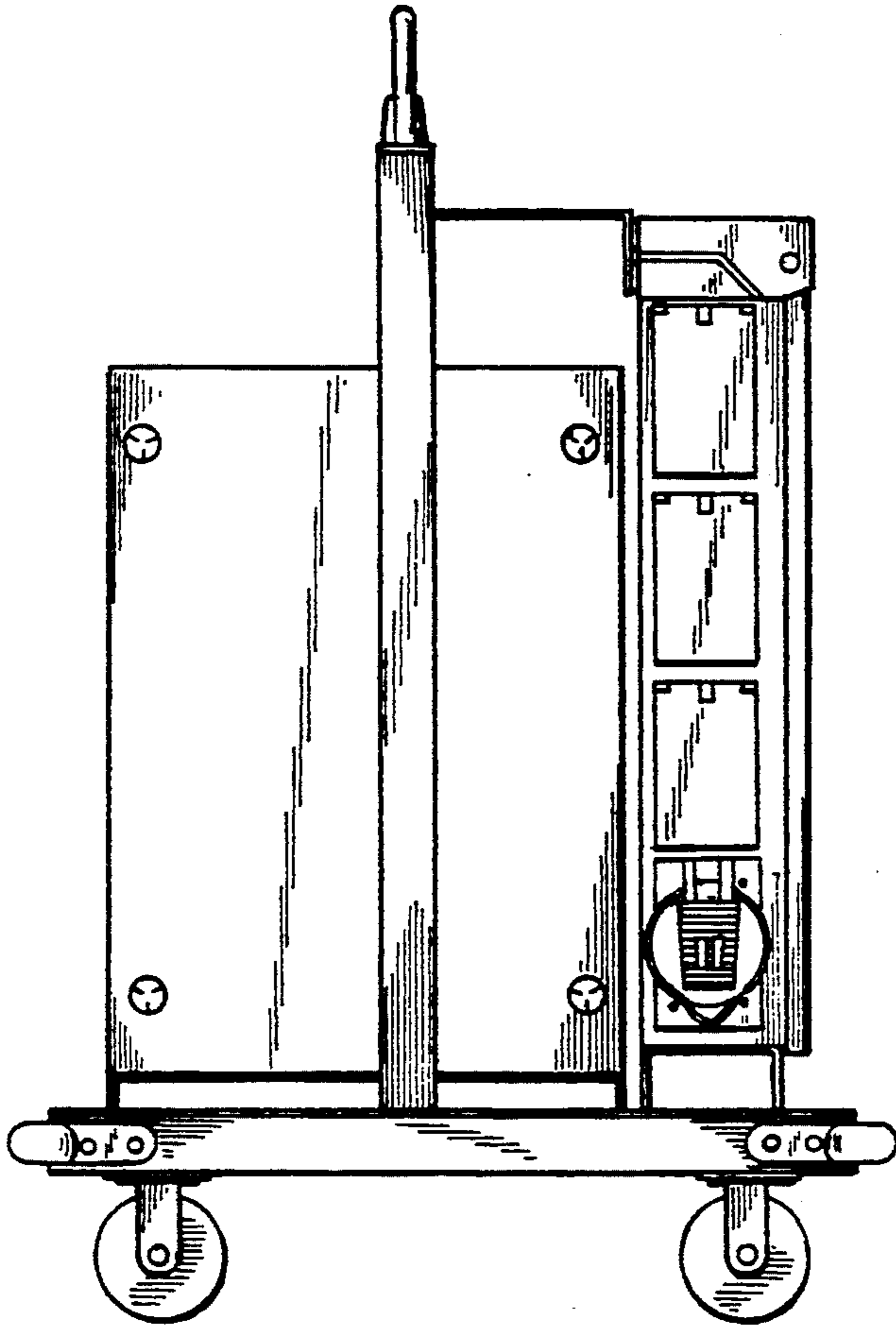


FIG. 3

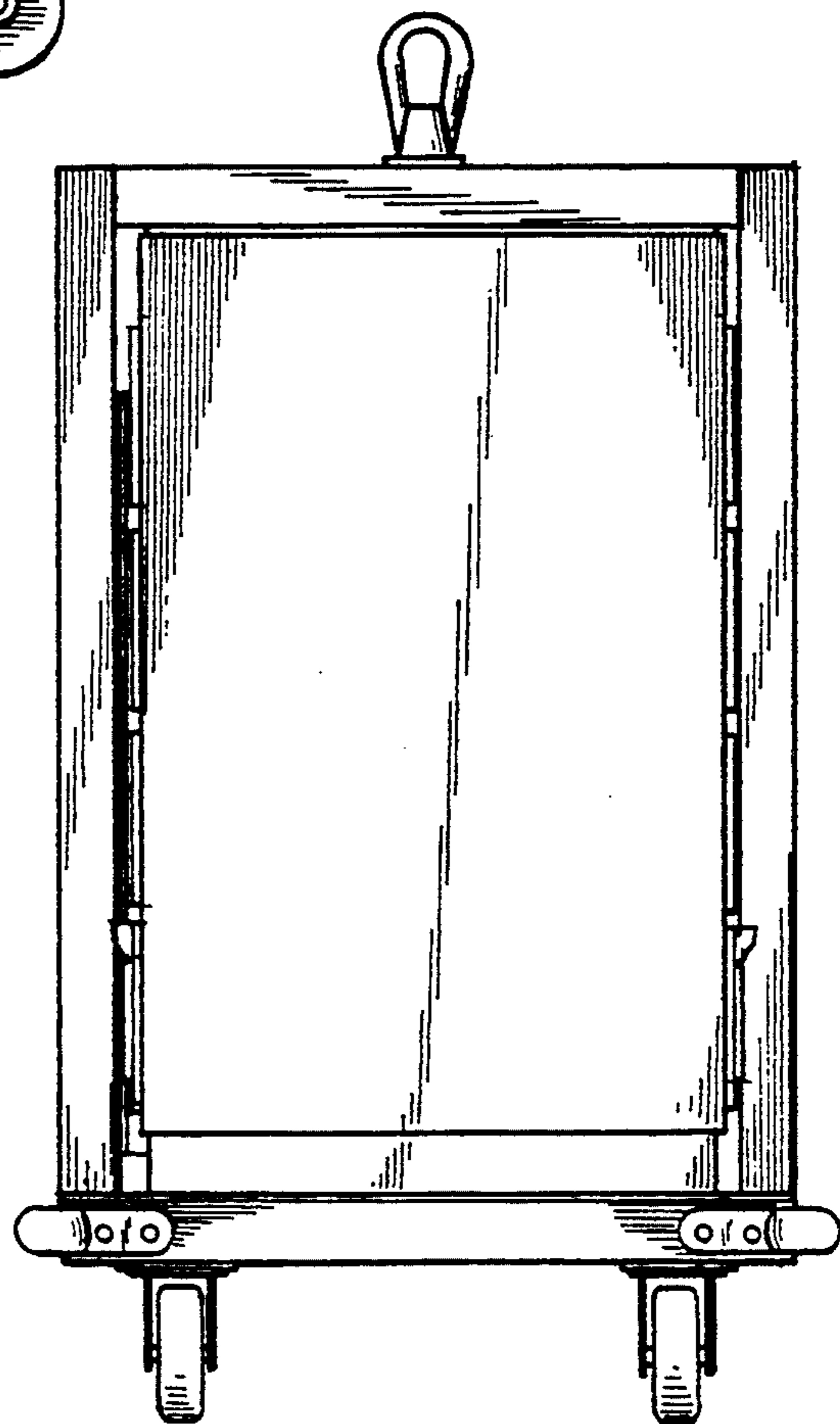


FIG. 4

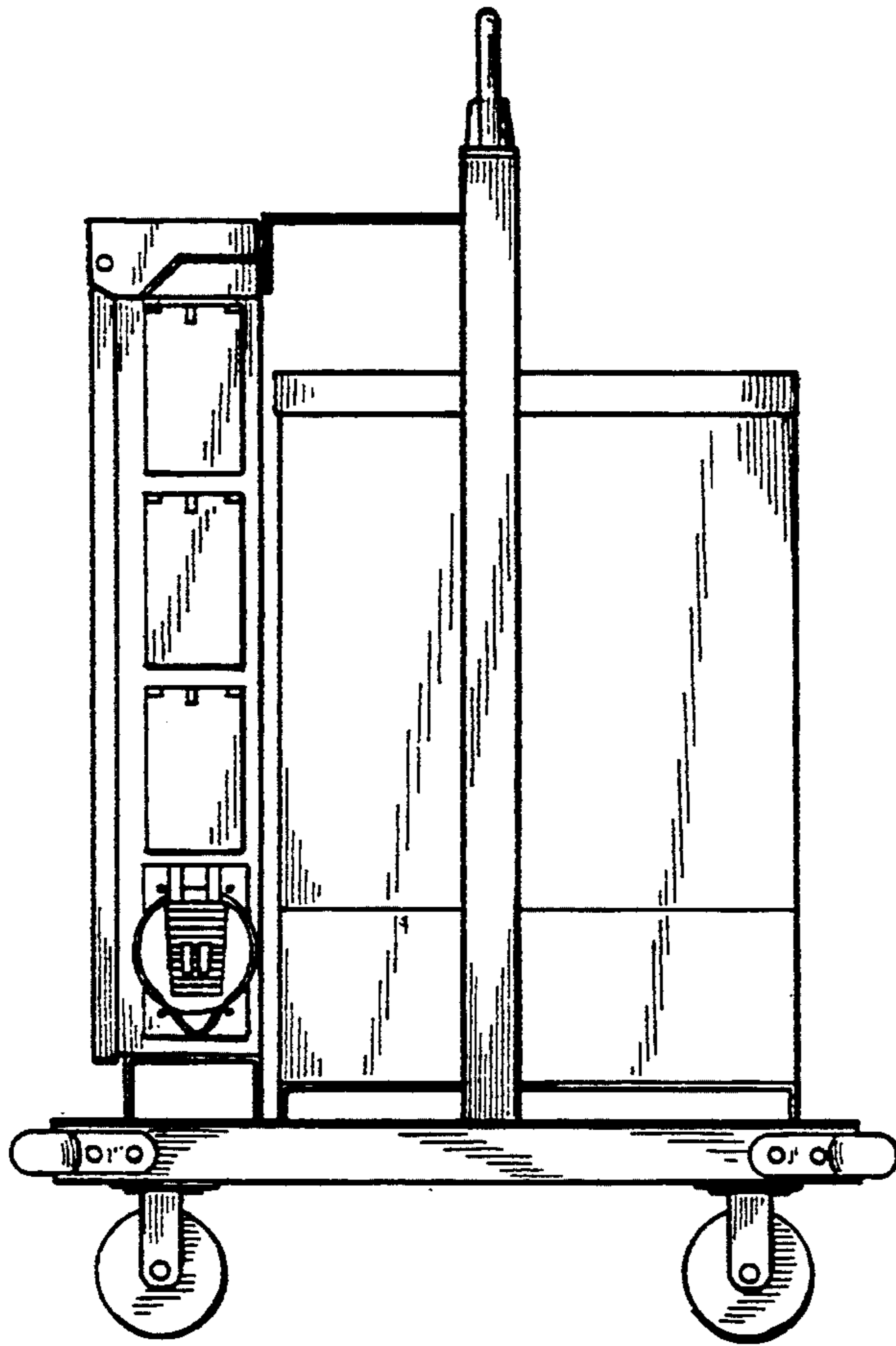


FIG. 6

FIG. 5

