



US00D356288S

United States Patent [19]

[11] Patent Number: **Des. 356,288**

Walls

[45] Date of Patent: **** Mar. 14, 1995**

- [54] **PERSONAL WATER CRAFT TOW**
- [75] Inventor: **Willie W. Walls, Ft. Worth, Tex.**
- [73] Assignee: **Aqua-Sled, Inc., Burleson, Tex.**
- [**] Term: **14 Years**
- [21] Appl. No.: **12,306**
- [22] Filed: **Aug. 27, 1993**
- [52] U.S. Cl. **D12/310; D12/300**
- [58] Field of Search **D12/300, 310, 313, 314, D12/316, 304; 114/56, 61, 355, 288, 283**

- D. 341,566 11/1993 Brooks et al. D12/310
- 2,950,701 8/1960 Stefani 114/61

Primary Examiner—Kay H. Chin
Attorney, Agent, or Firm—James E. Bradley

[57] CLAIM

The ornamental design for a personal water craft tow, as shown and described.

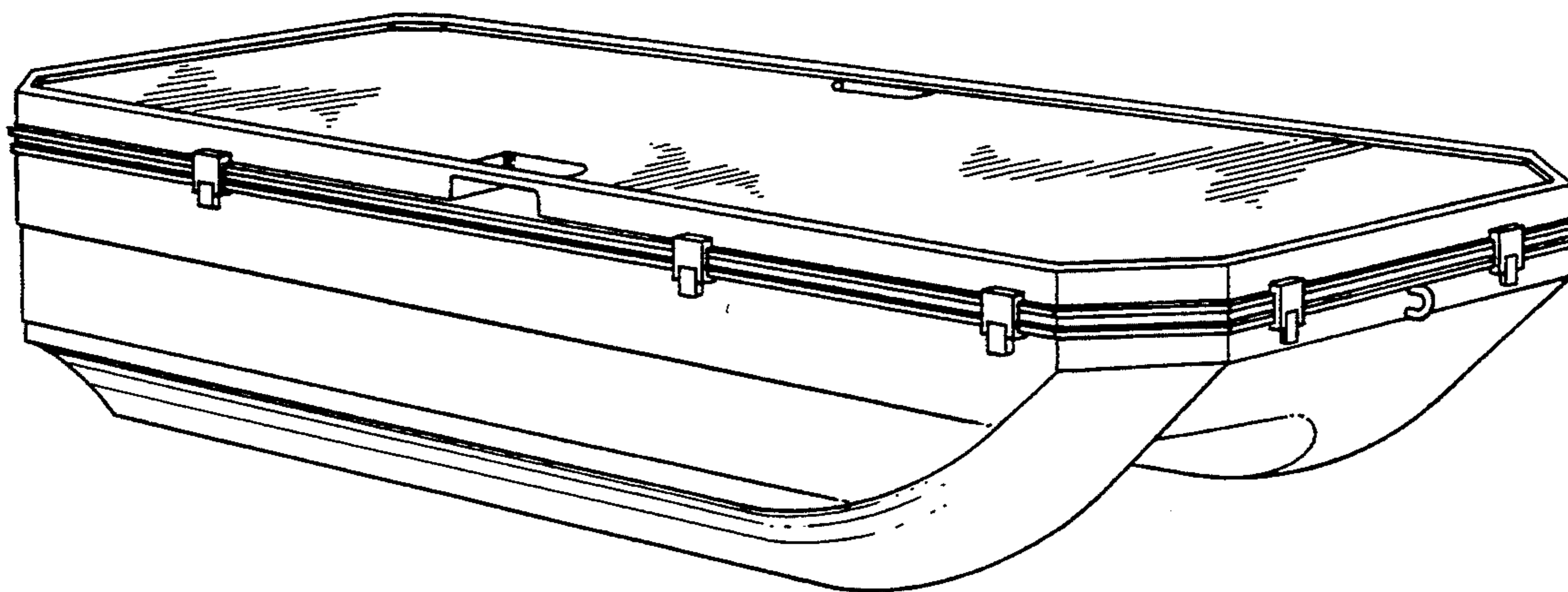
DESCRIPTION

FIG. 1 is a front side perspective view of a personal water craft tow;
 FIG. 2 is a left side elevational view thereof;
 FIG. 3 is a front elevational view thereof;
 FIG. 4 is a bottom plan view thereof;
 FIG. 5 is a top plan view thereof; and,
 FIG. 6 is a rear elevational view thereof.

[56] References Cited

U.S. PATENT DOCUMENTS

- D. 235,424 6/1975 Smith D12/310
- D. 310,656 9/1990 Paine, Jr. D12/314



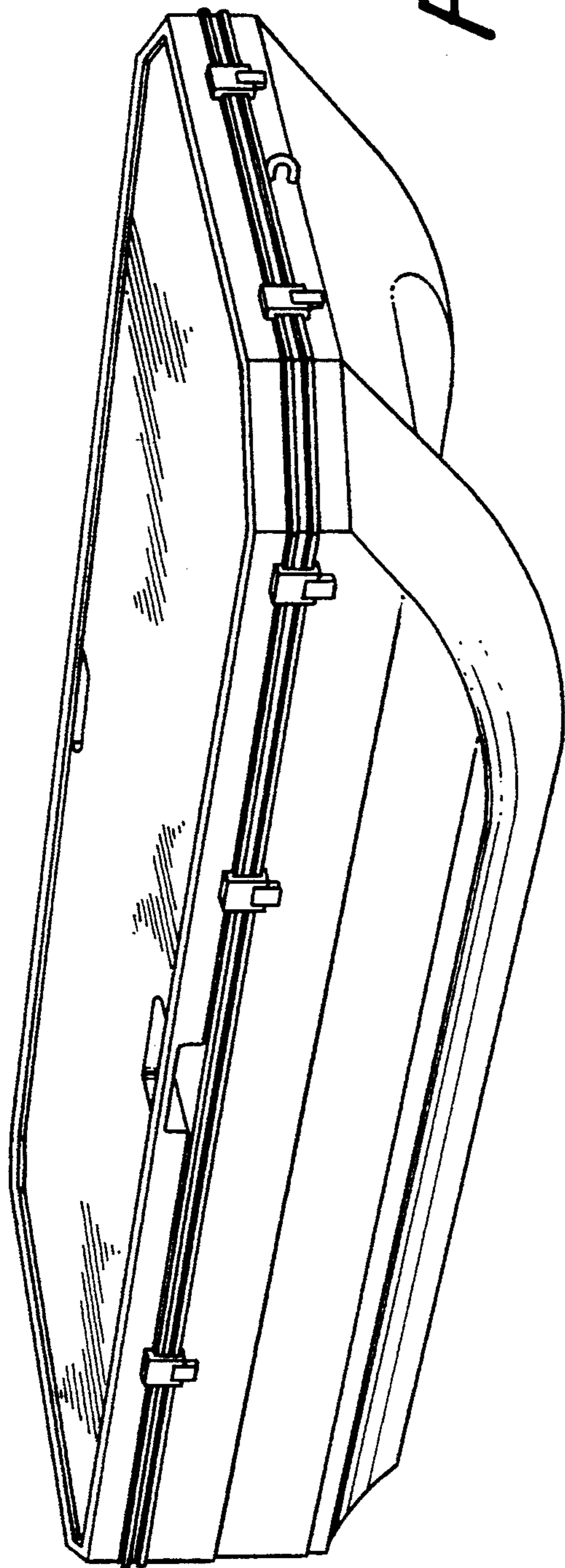


Fig. 1

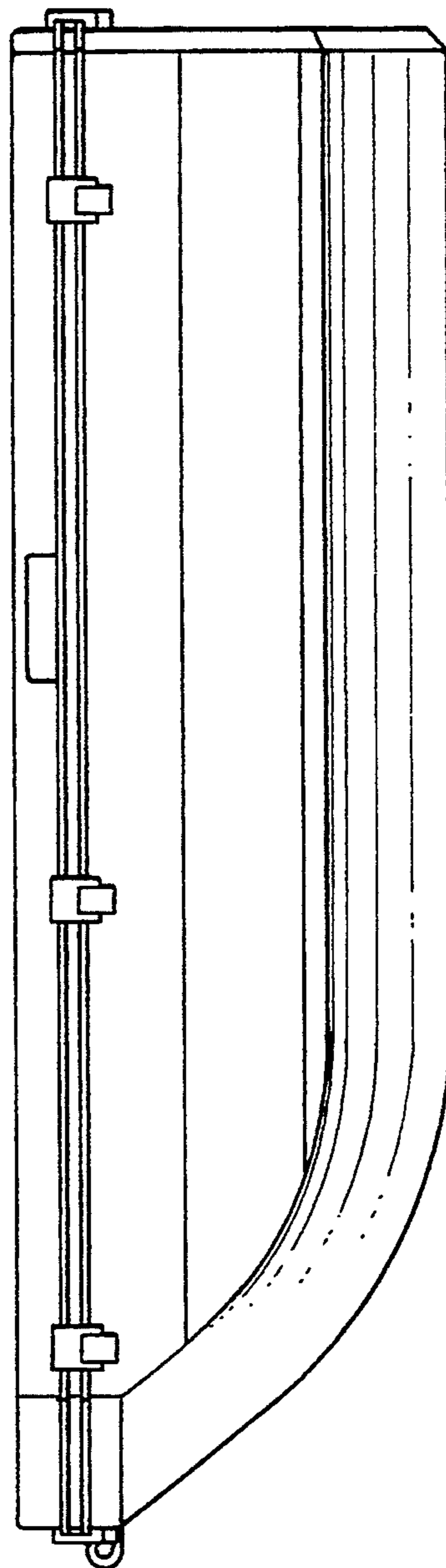


Fig. 2

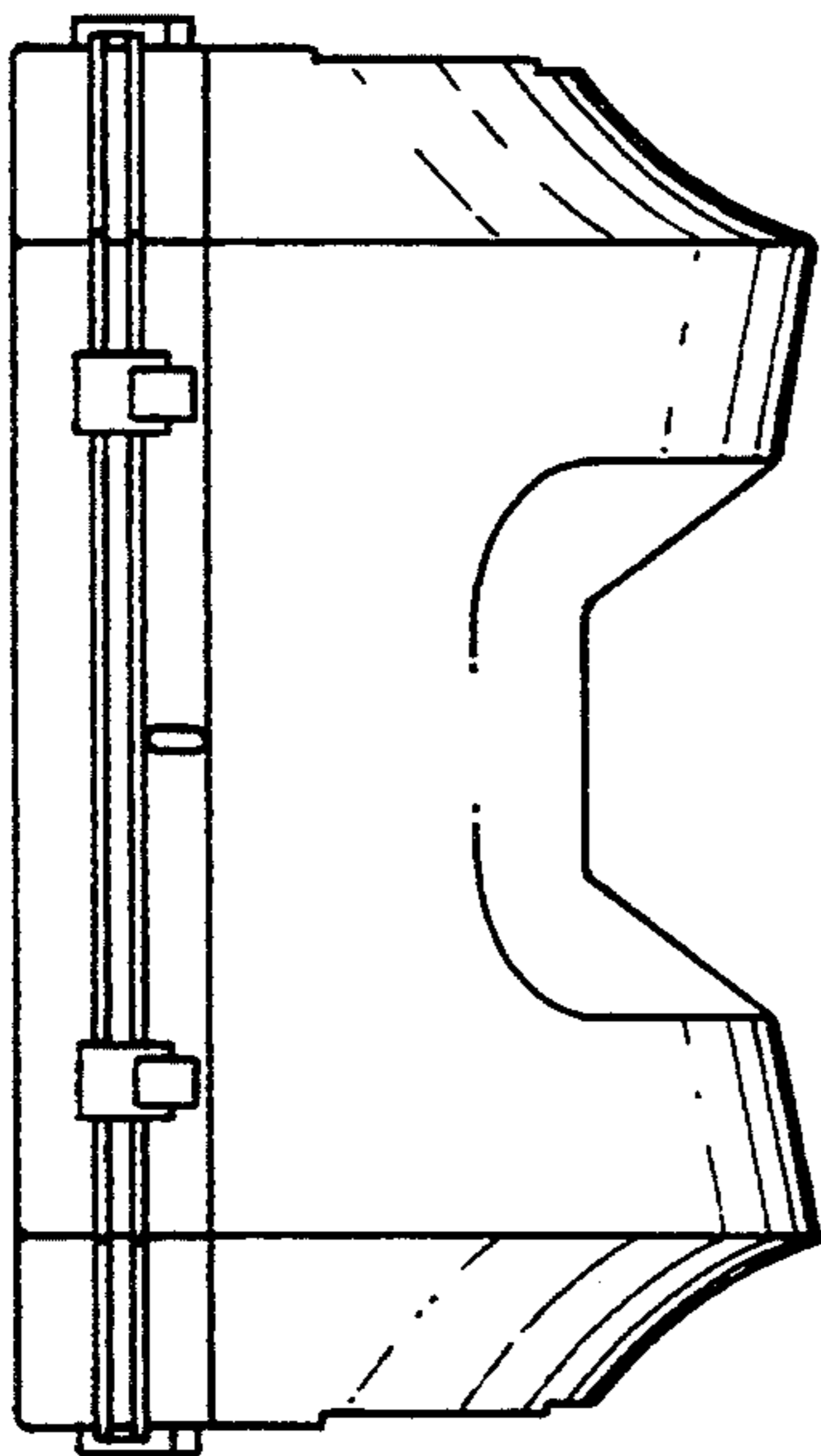


Fig. 3

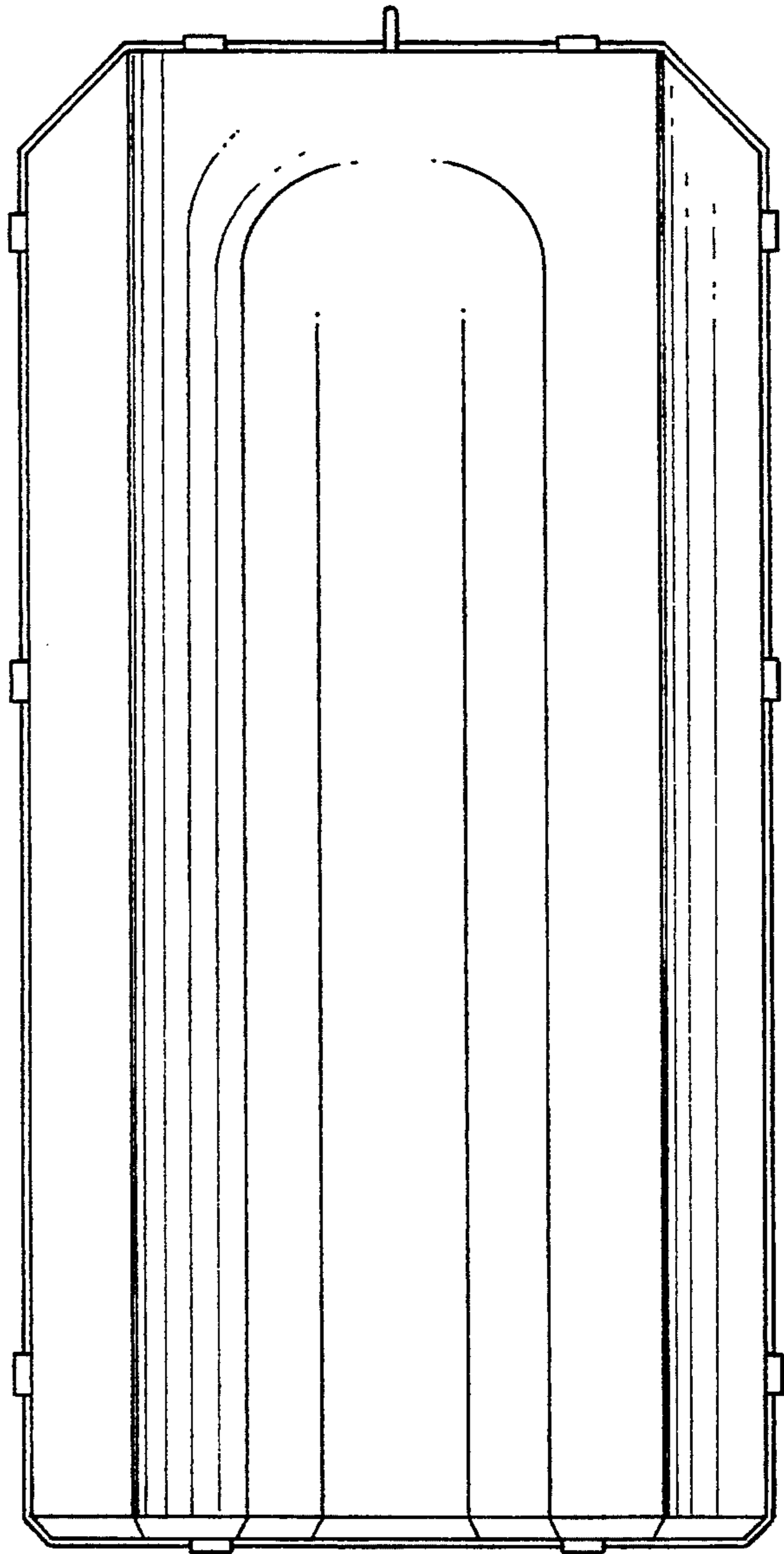


Fig. 4

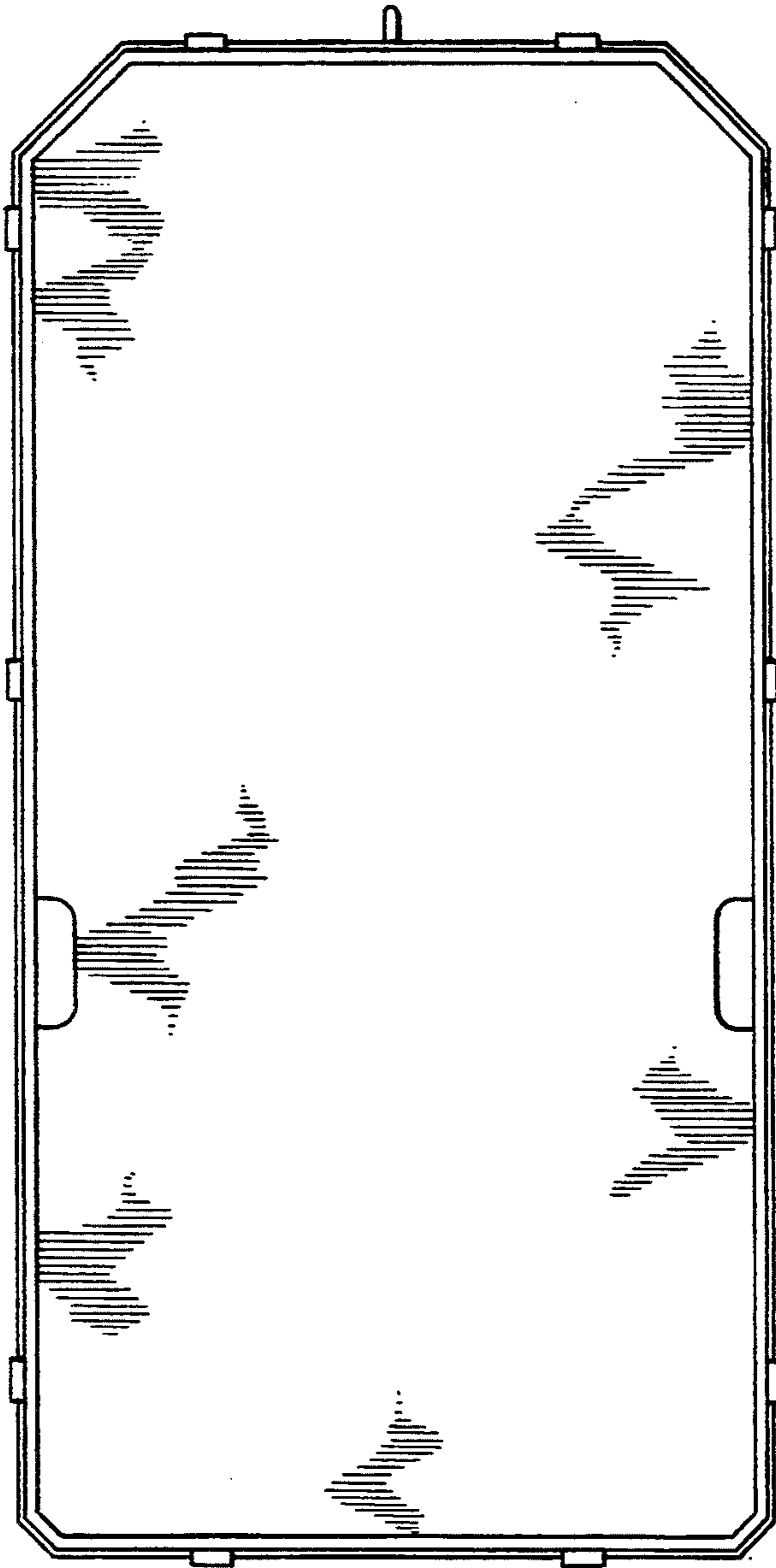


Fig. 5

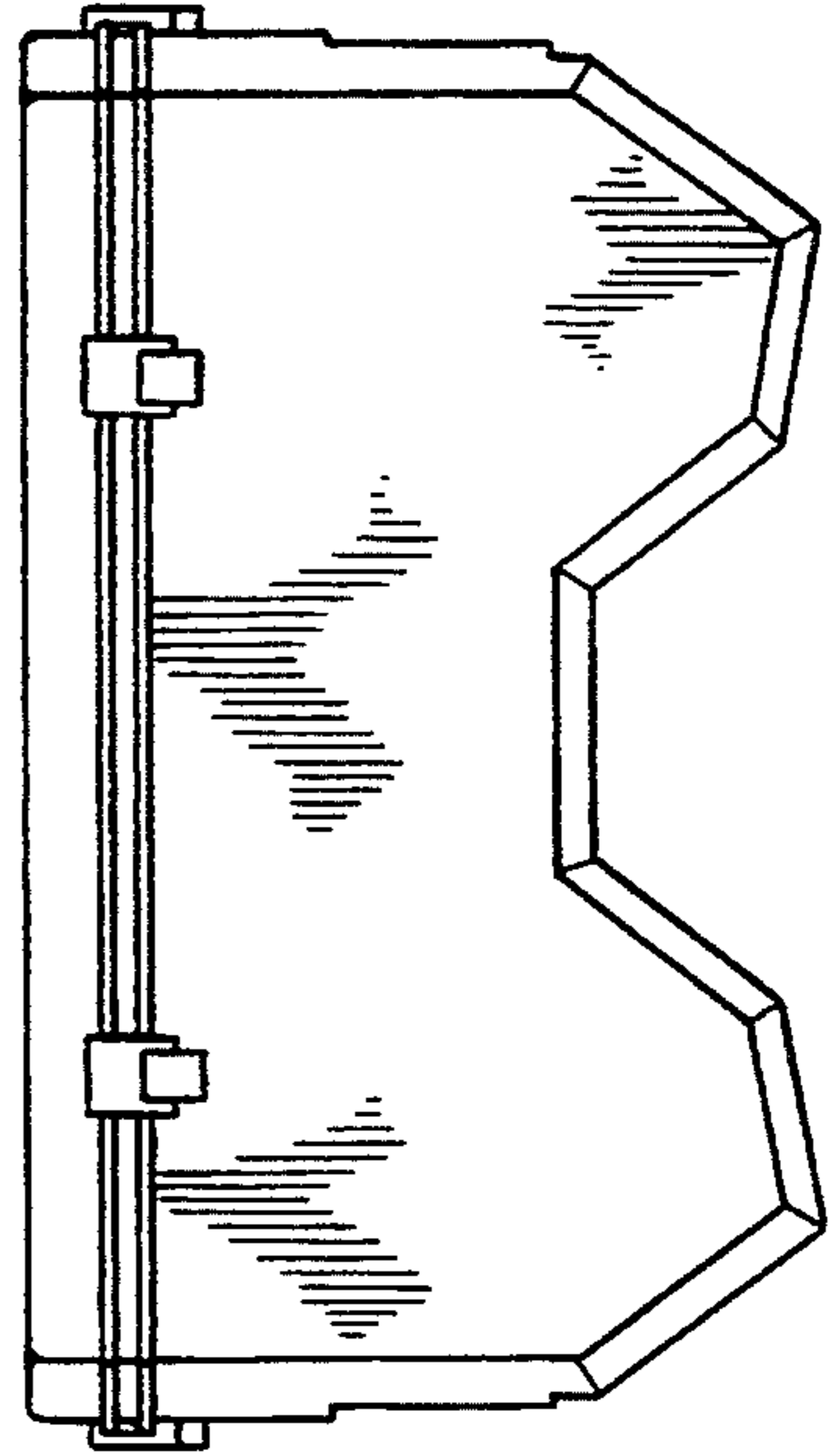


Fig. 6