



US00D356283S

United States Patent [19]

[11] Patent Number: **Des. 356,283**

Christensen

[45] Date of Patent: **** Mar. 14, 1995**

[54] STANCHION MEMBER FOR A LADDER RACK

4,588,117 5/1986 Bott 224/321
4,767,040 8/1988 Miller et al. 224/325

[76] Inventor: **David Christensen**, 11 Moores Mill Rd., Pennington, N.J. 08534

Primary Examiner—Doris Clark
Attorney, Agent, or Firm—Kenneth P. Glynn; Diane L. Ferrone

[**] Term: **14 Years**

[57] **CLAIM**

[21] Appl. No.: **15,332**

The ornamental design for a stanchion member for a ladder rack, as shown.

[22] Filed: **Nov. 15, 1993**

[52] U.S. Cl. **D12/223; D25/125**

DESCRIPTION

[58] Field of Search D25/121, 125; 119/738; D12/412, 415, 223; 248/558, 911-912; 296/100, 32, 34, 36, 3, 353, 98, 105; 224/310, 321, 325, 324

FIG. 1 is an enlarged fragmentary perspective view of an stanchion member for a ladder rack showing my new design;

FIG. 2 is a front elevational view thereof;

FIG. 3 is a rear elevational view thereof;

FIG. 4 is a left side elevational view thereof;

FIG. 5 is a right side elevational view thereof;

FIG. 6 is a top plan view thereof; and,

FIG. 7 is a bottom plan view thereof.

[56] **References Cited**

U.S. PATENT DOCUMENTS

D. 324,506 3/1992 Phillips D12/223
3,394,524 7/1968 Howarth D25/125

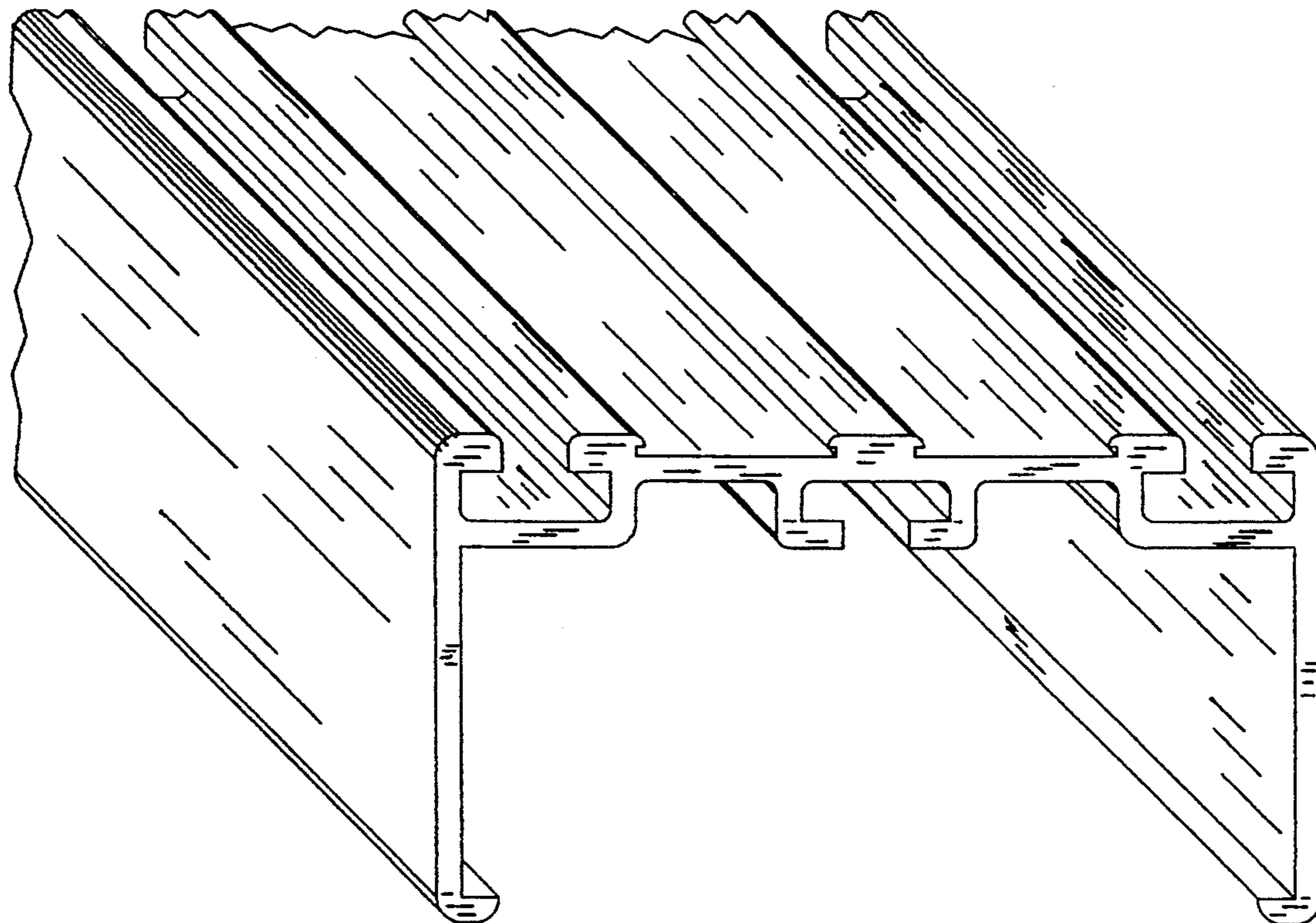


FIG-1

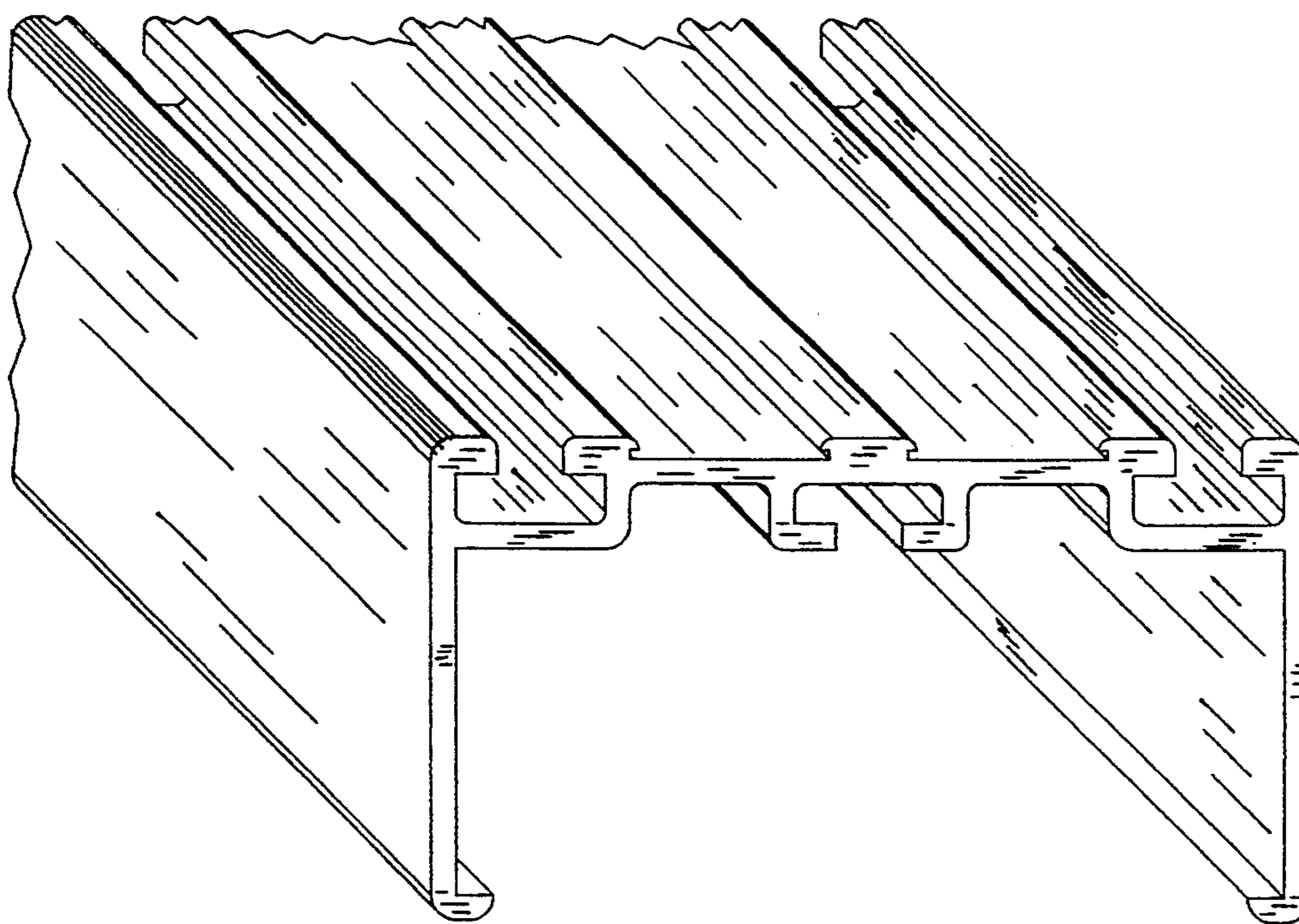


FIG-2

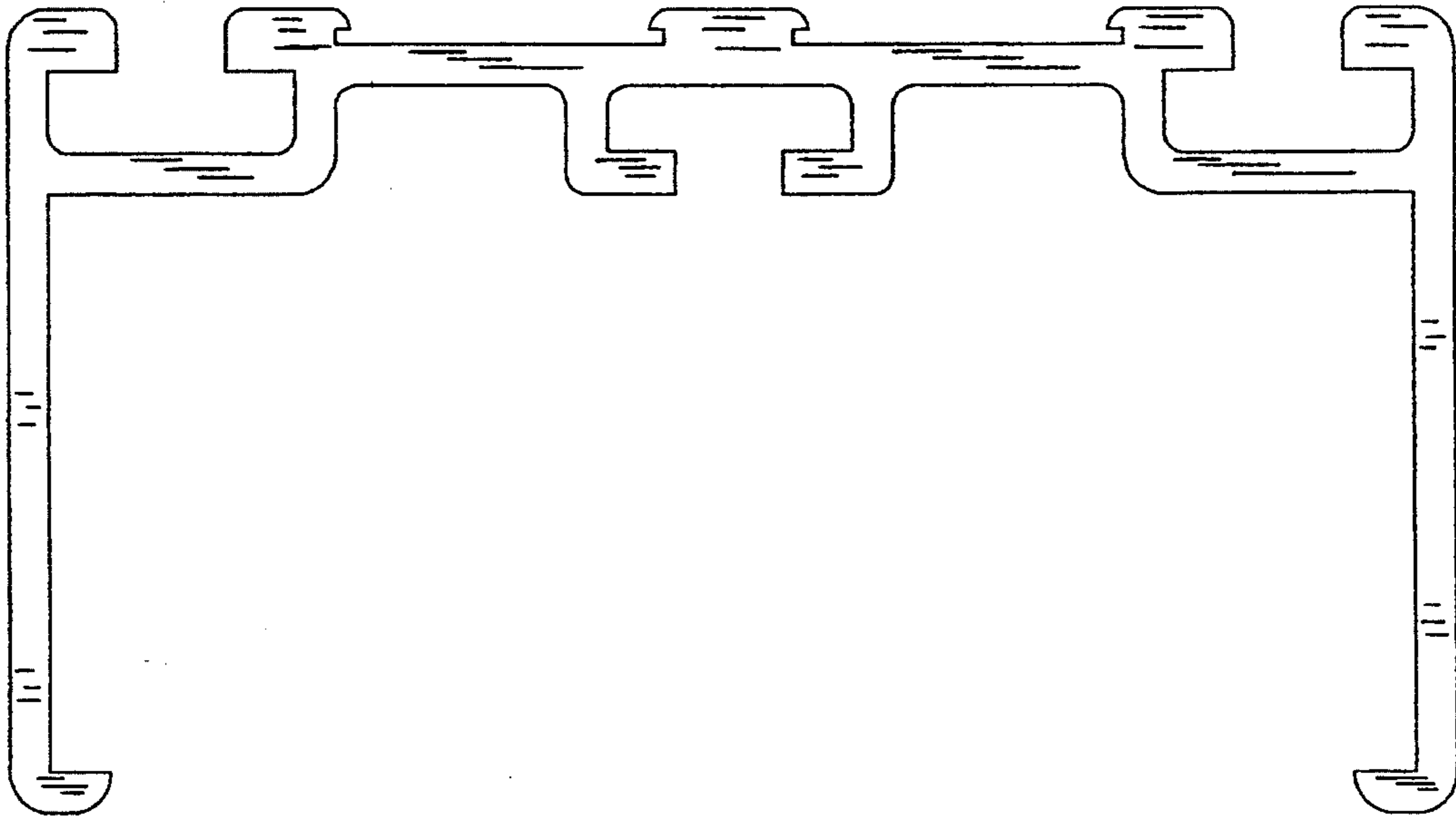


FIG-3

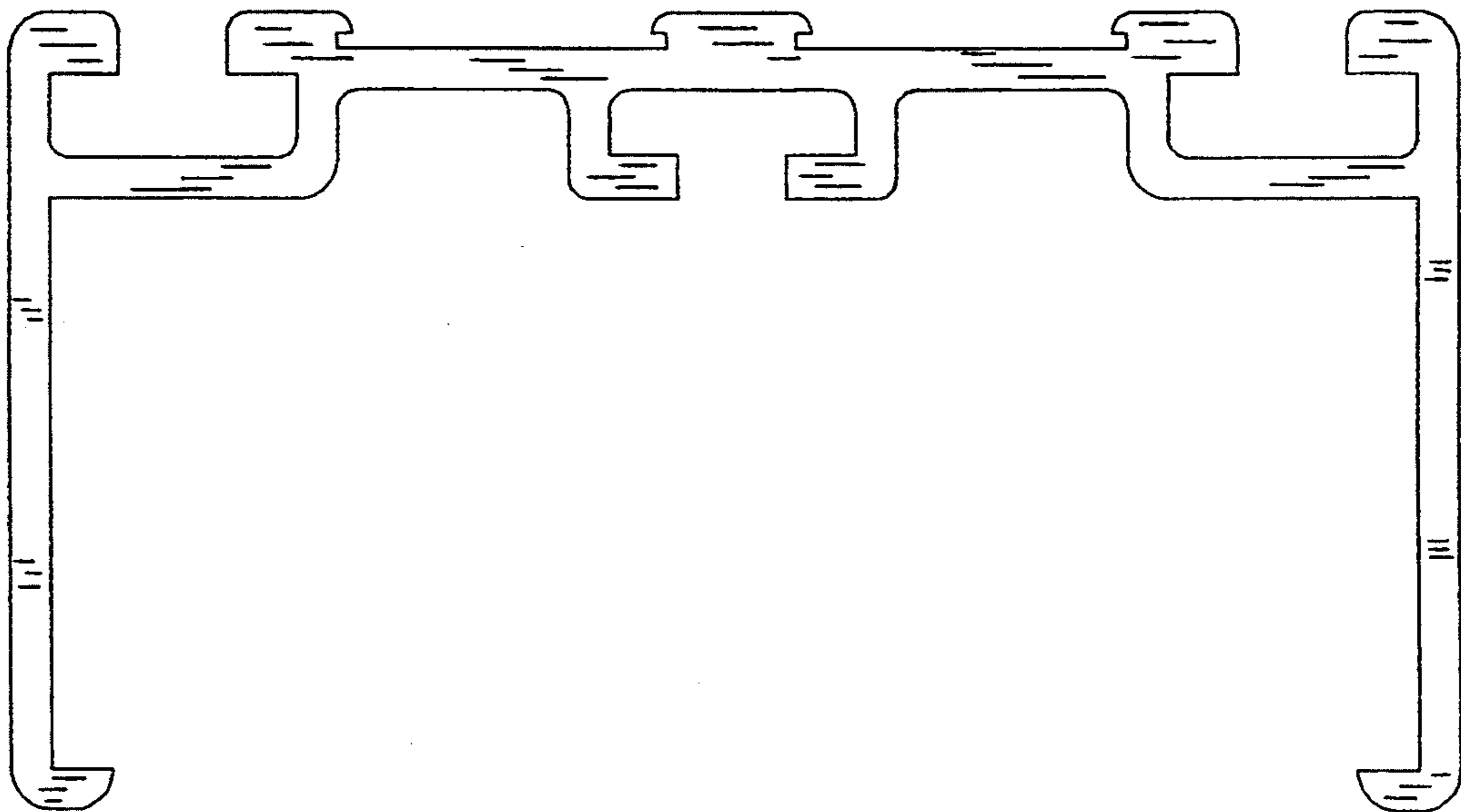


FIG-4

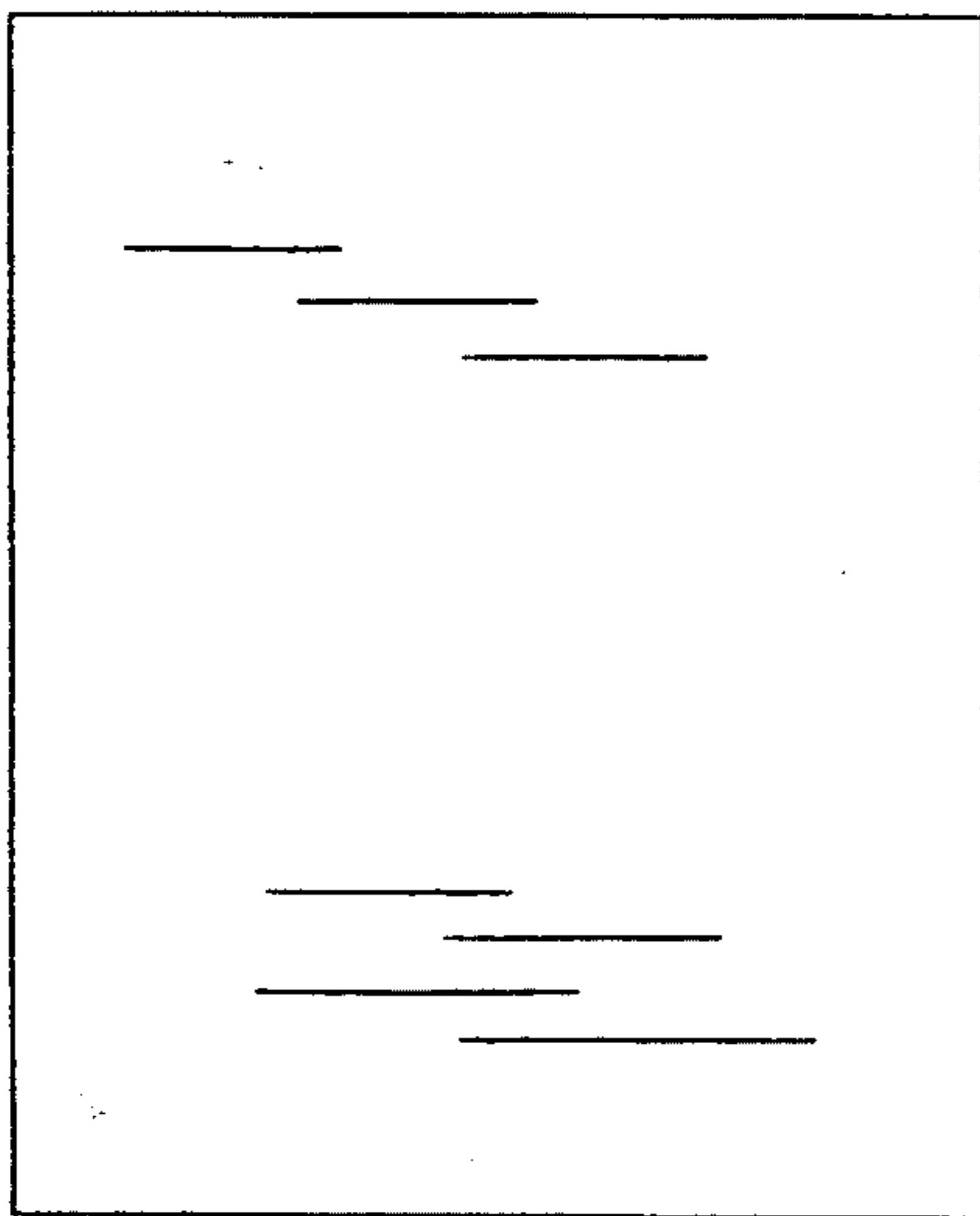


FIG-5

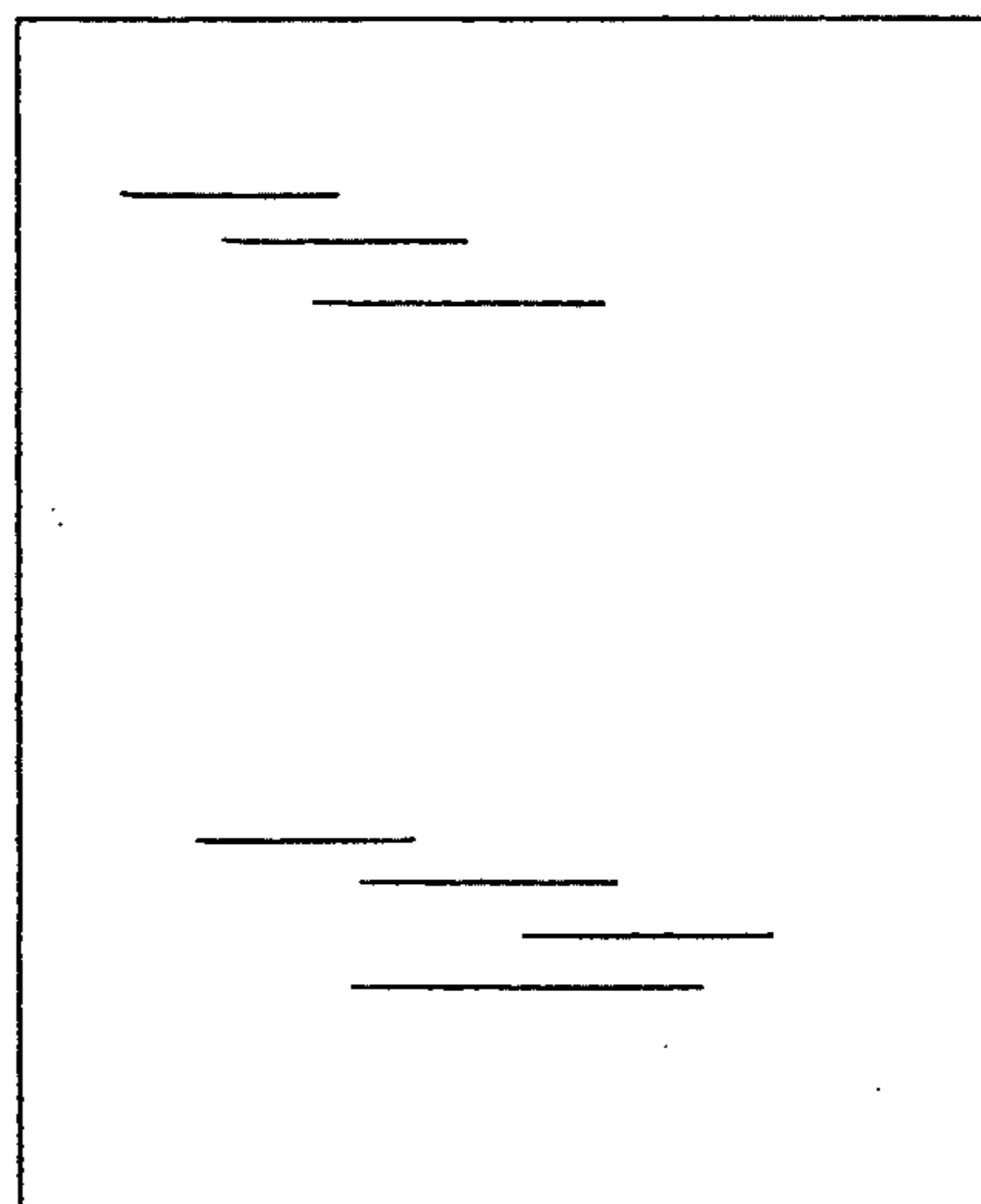


FIG-6

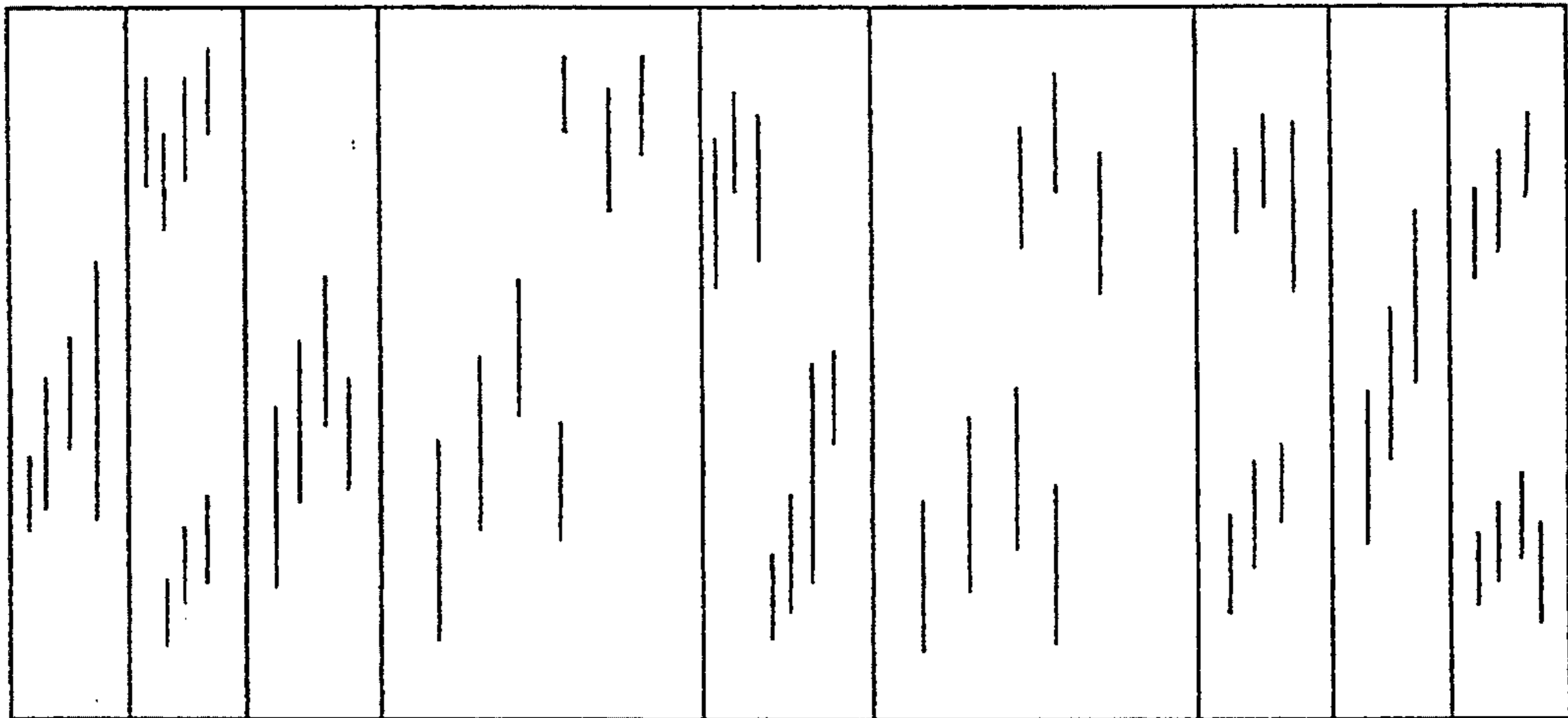


FIG-7

