



US00D356281S

United States Patent [19]

[11] Patent Number: Des. 356,281

Lee

[45] Date of Patent: ** Mar. 14, 1995

[54] NOVELTY LIQUID SWINGING HOUSING

[76] Inventor: Vincent K. W. Lee, No. 44, Lane 458, Sheh Chung Street, Taipei, Republic of China

[**] Term: 14 Years

[21] Appl. No.: 21,036

[22] Filed: Apr. 6, 1994

[52] U.S. Cl. D11/131; D11/157; D11/184

[58] Field of Search D11/131, 157, 184; D21/59, 60; 434/302, 370, 126; 446/153, 267; 40/406, 407

[56] References Cited

U.S. PATENT DOCUMENTS

5,156,550 10/1992 Alexander 428/13 X

OTHER PUBLICATIONS

Sharper Image Catalog; Dec. 1986; p. 23; Giant Wave Machine.

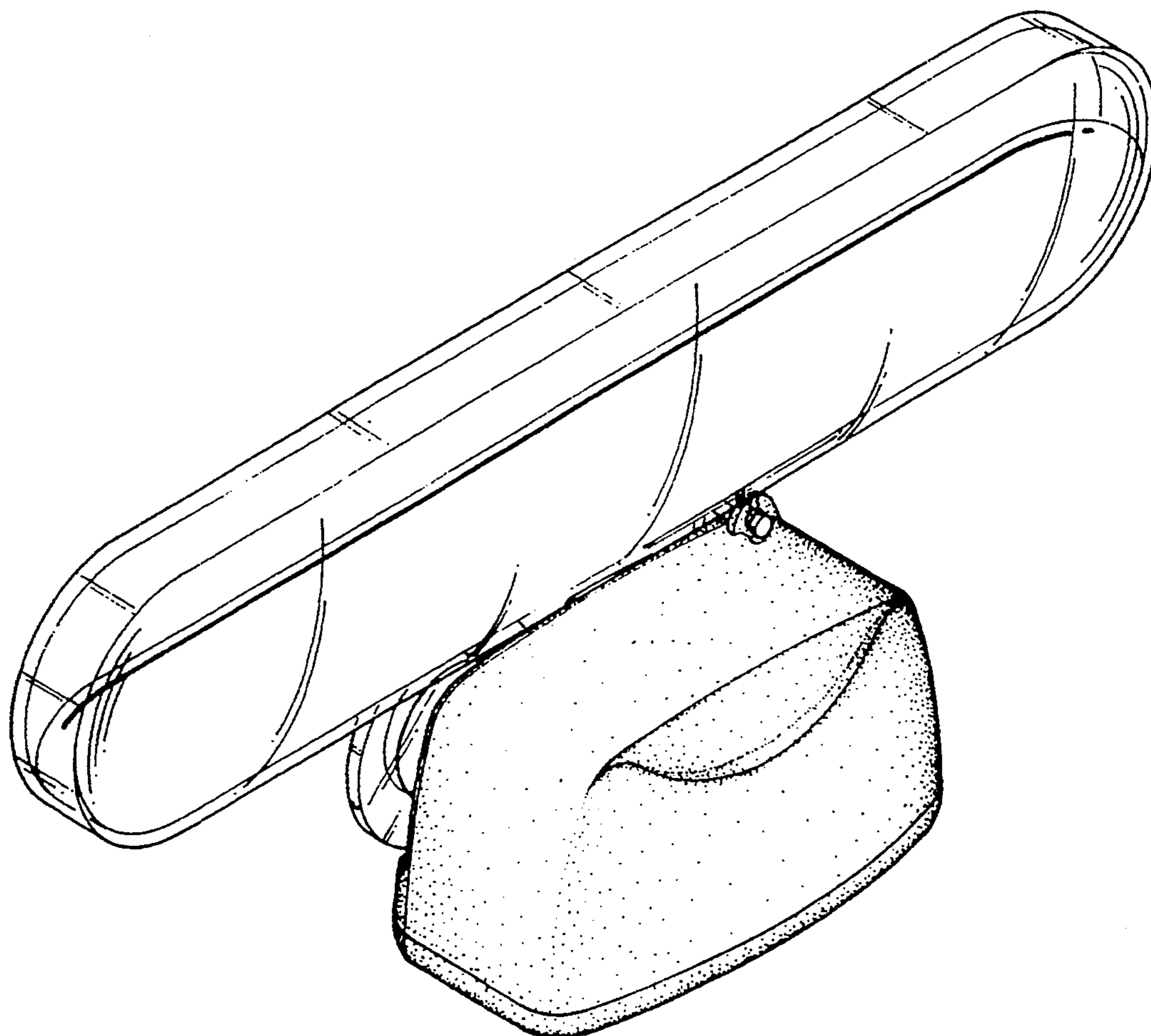
Primary Examiner—Theodore M. Shooman
Assistant Examiner—Dominic Simone
Attorney, Agent, or Firm—Bacon & Thomas

[57] CLAIM

The ornamental design for a novelty liquid swinging housing, as shown and described.

DESCRIPTION

FIG. 1 is a perspective view of a novelty liquid swinging housing showing my new design; FIG. 2 is a front elevational view thereof; FIG. 3 is a rear elevational view thereof; FIG. 4 is a side elevational view thereof; FIG. 5 is an elevational view of the side opposite to FIG. 4; FIG. 6 is a top plan view thereof; and, FIG. 7 is a bottom plan view thereof.



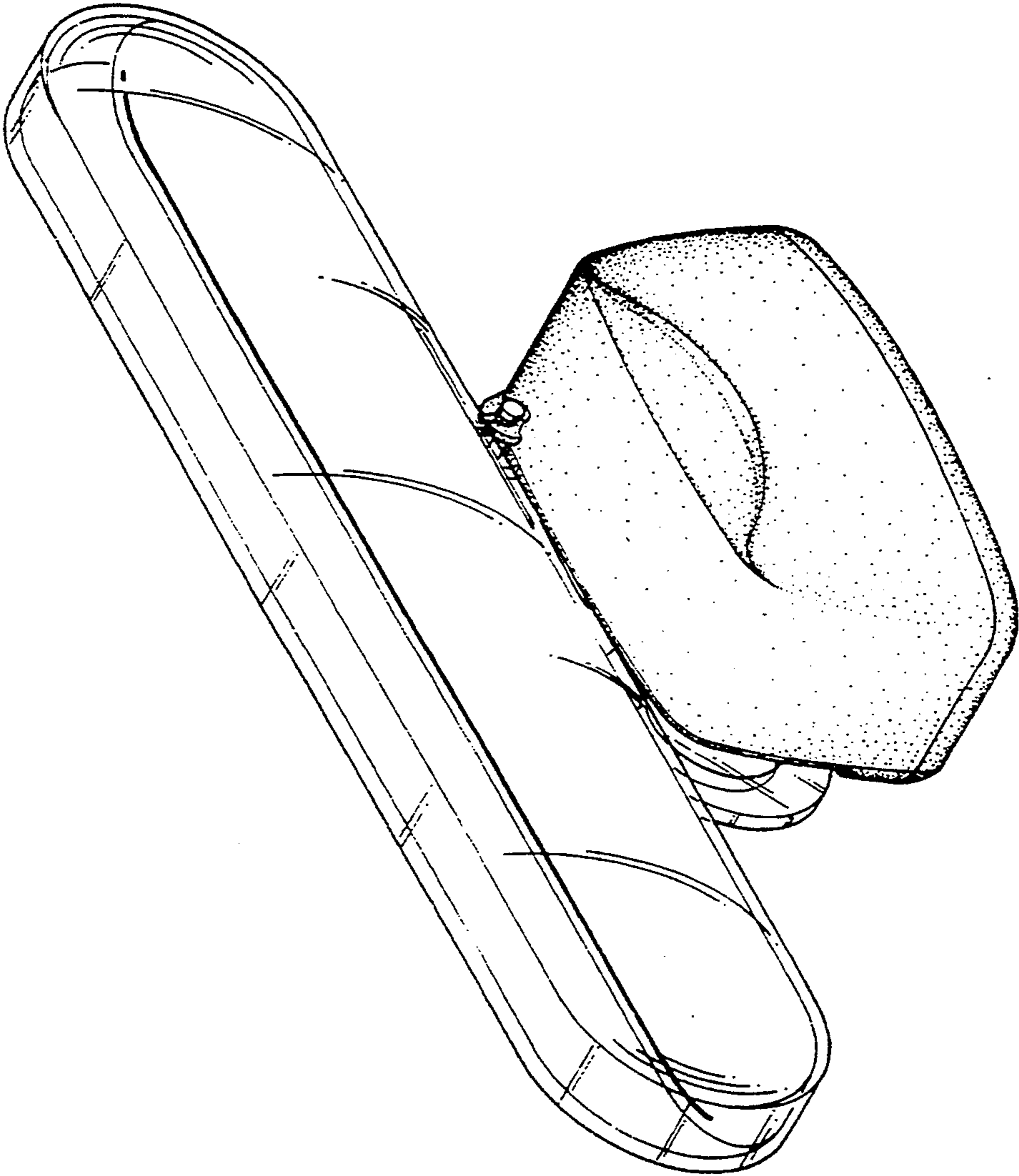


FIG. 1

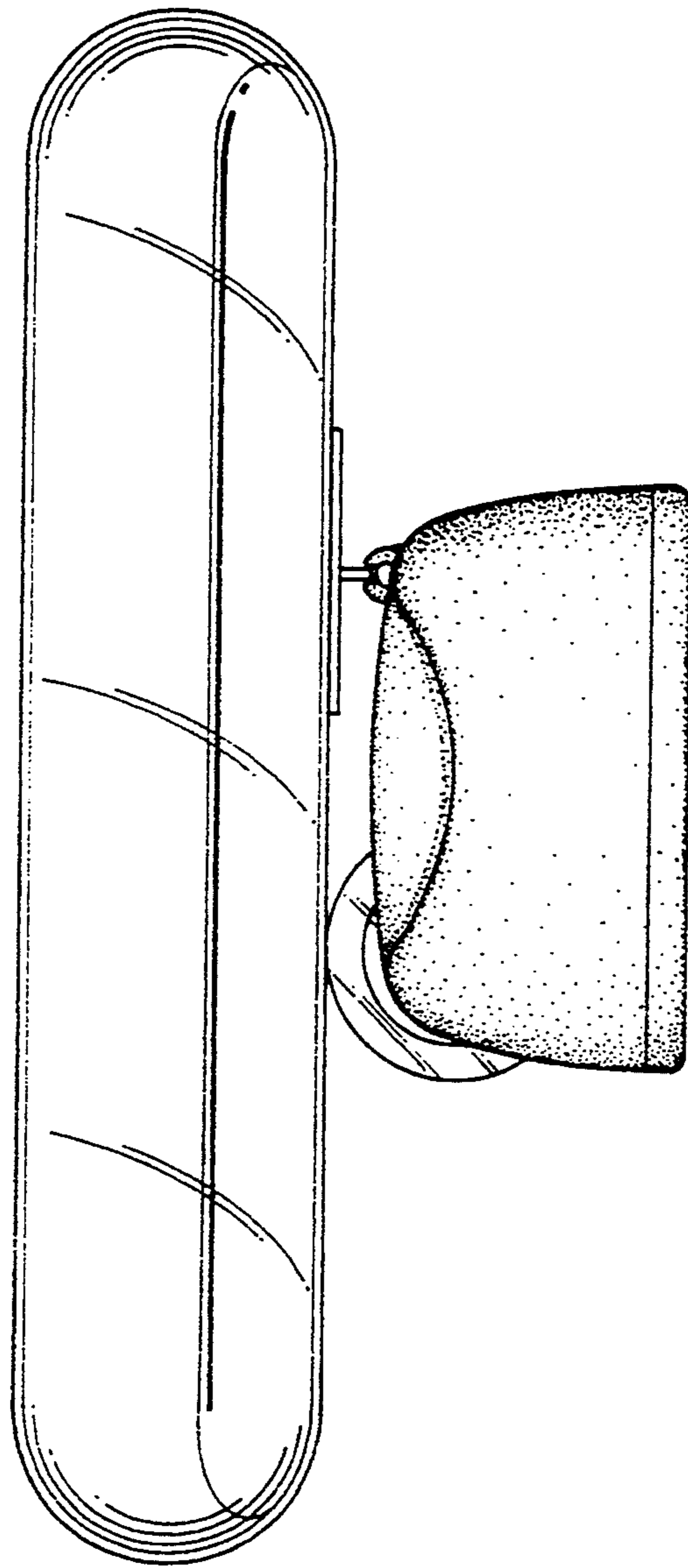


FIG. 2

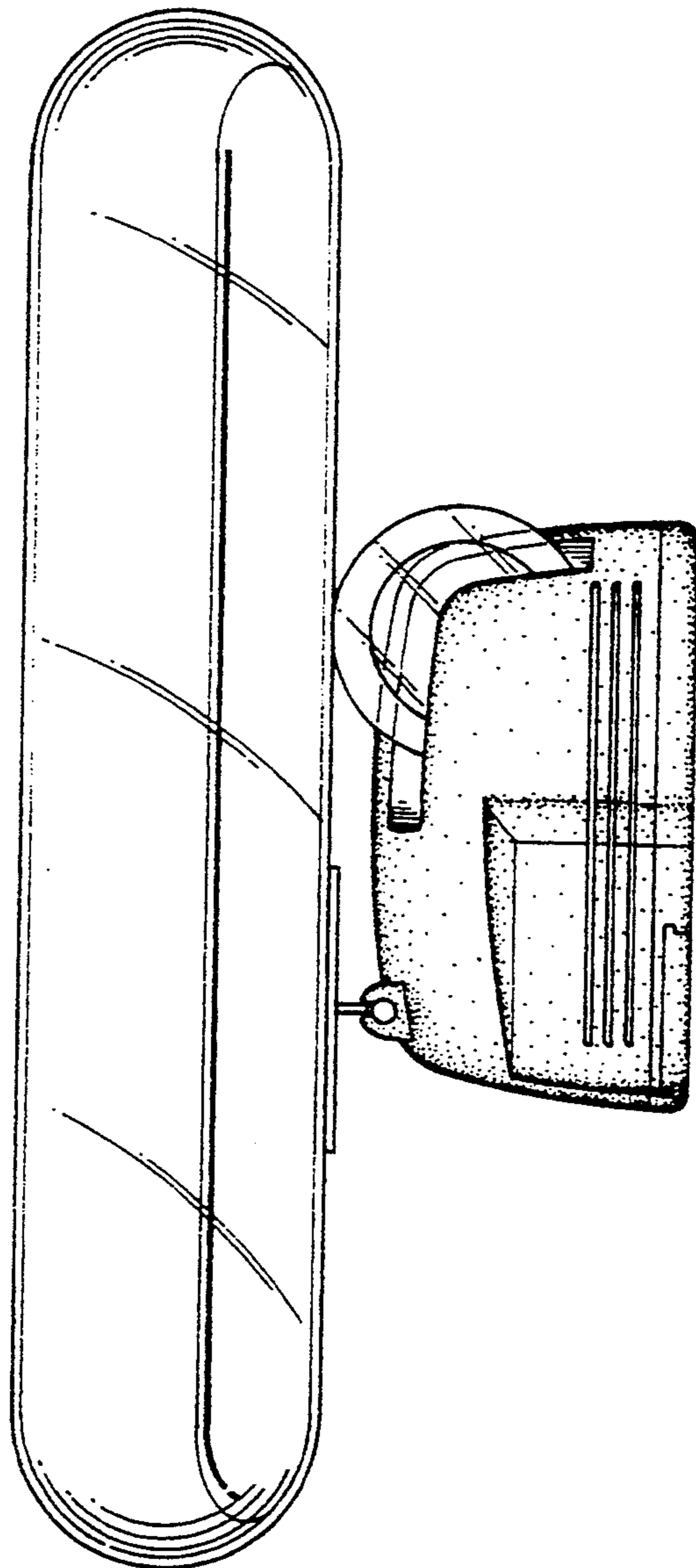


FIG. 3

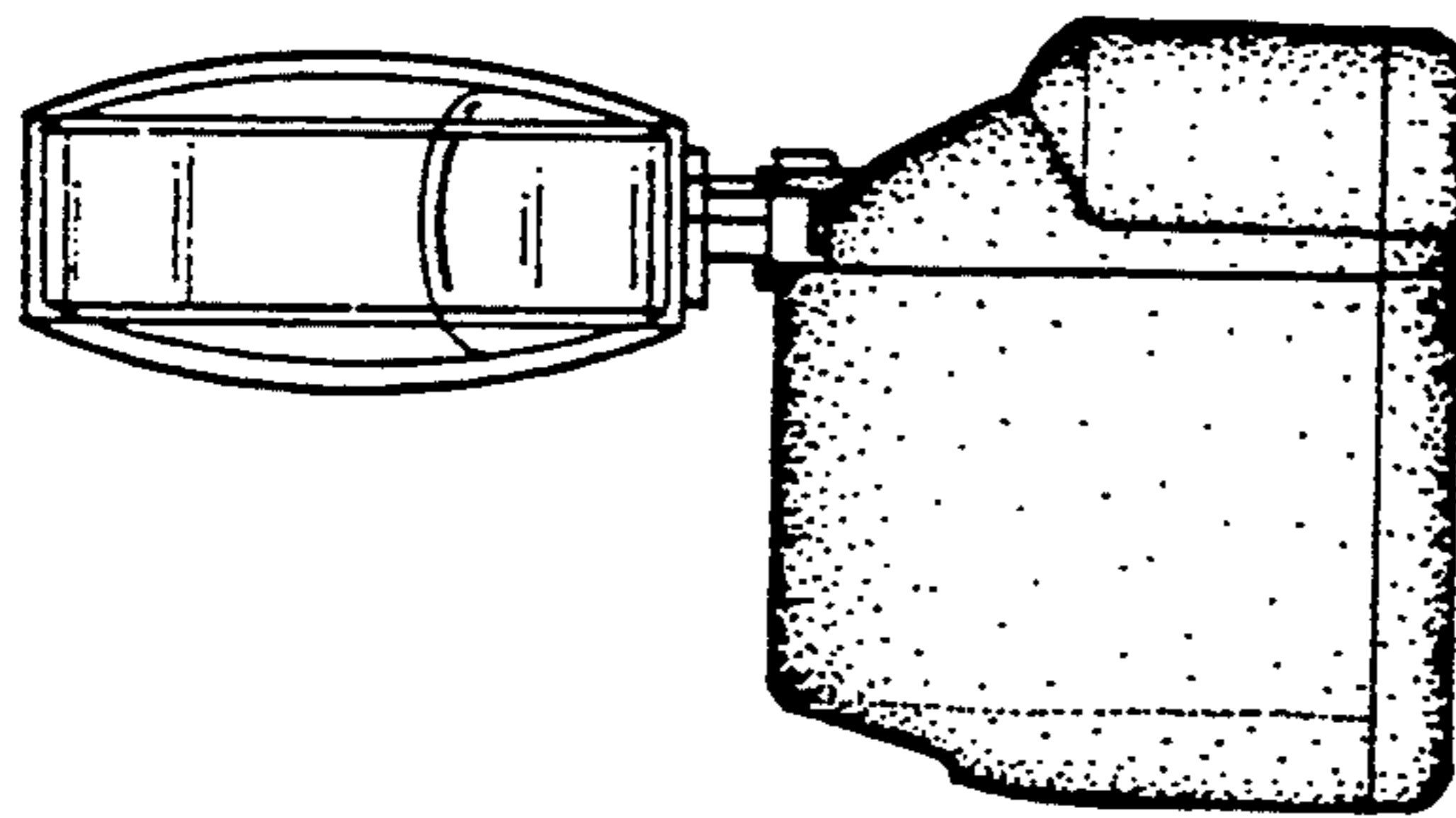


FIG. 5

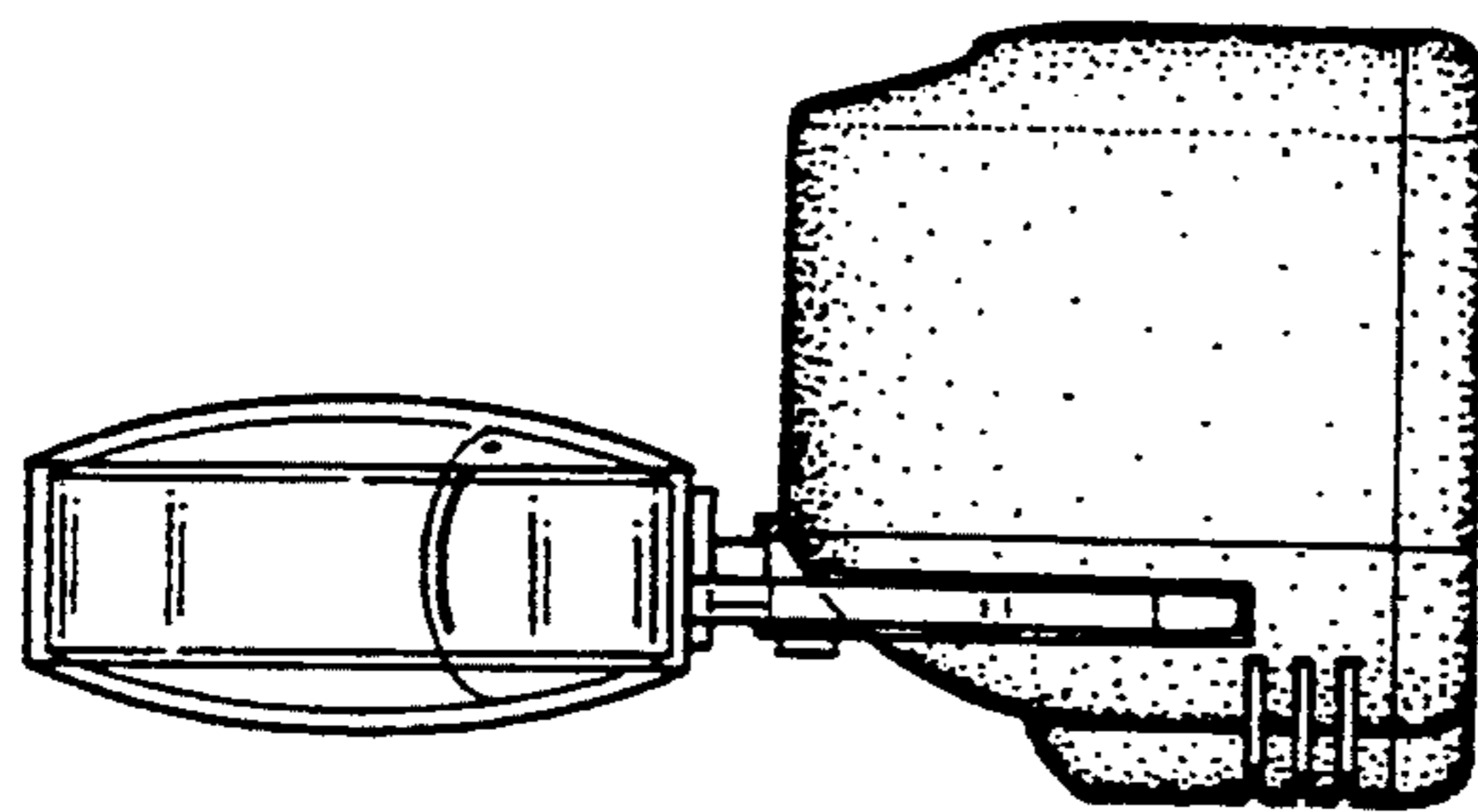


FIG. 4

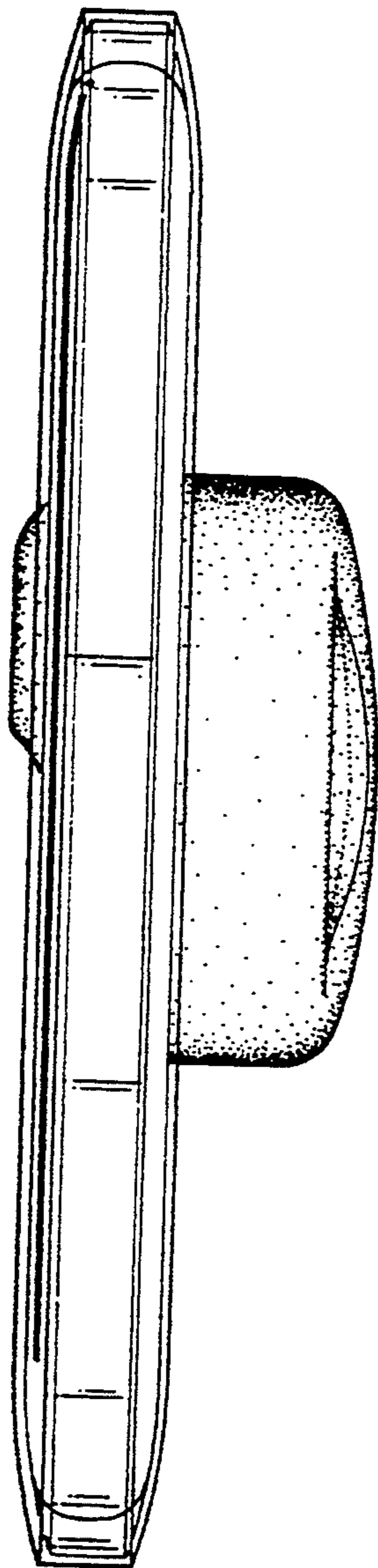


FIG. 6

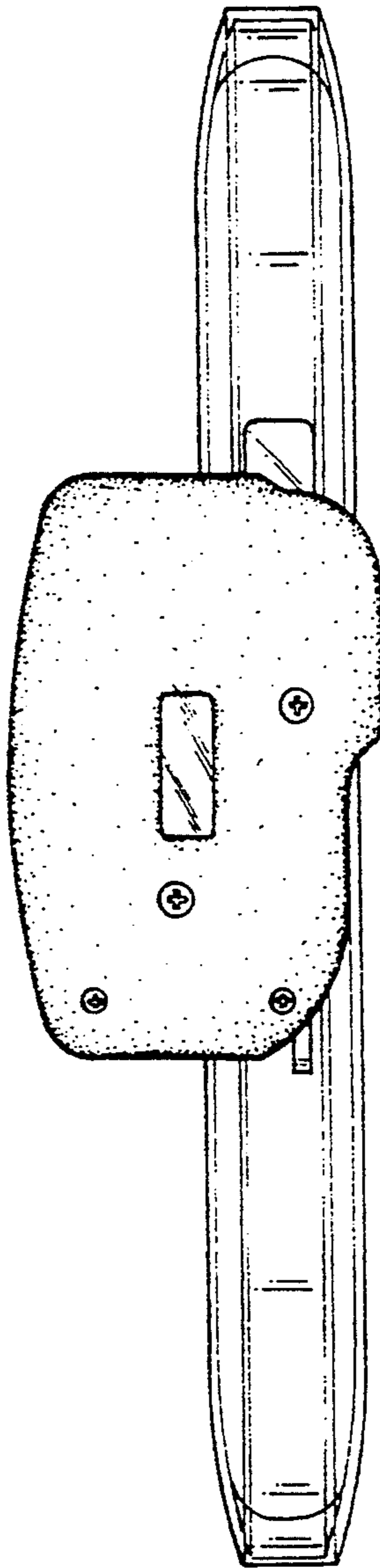


FIG. 7