



US00D356275S

United States Patent [19]
Ede

[11] **Patent Number: Des. 356,275**
[45] **Date of Patent: ** Mar. 14, 1995**

[54] **COMBINED MOTION SENSOR AND
AUDIBLE ALARM**

[76] **Inventor: George E. Ede, P.O. Box 2625,
Oceanside, Calif. 92054**

[**] **Term: 14 Years**

[21] **Appl. No.: 18,114**

[22] **Filed: Jan. 31, 1994**

[52] **U.S. Cl. D10/106; D10/116**

[58] **Field of Search D10/104, 106, 116, 117,
D10/120, 121; D26/1, 2; 340/392, 393, 394,
396, 397, 540, 541, 542, 543, 544, 545, 546, 547,
552, 556, 566, 577, 578**

[56] **References Cited**

U.S. PATENT DOCUMENTS

D. 240,208 6/1976 DeBough D10/116
D. 297,519 9/1988 Shimoya D10/116
D. 321,762 11/1991 Mujahid et al. D26/2
D. 347,596 6/1994 Jackson D10/120

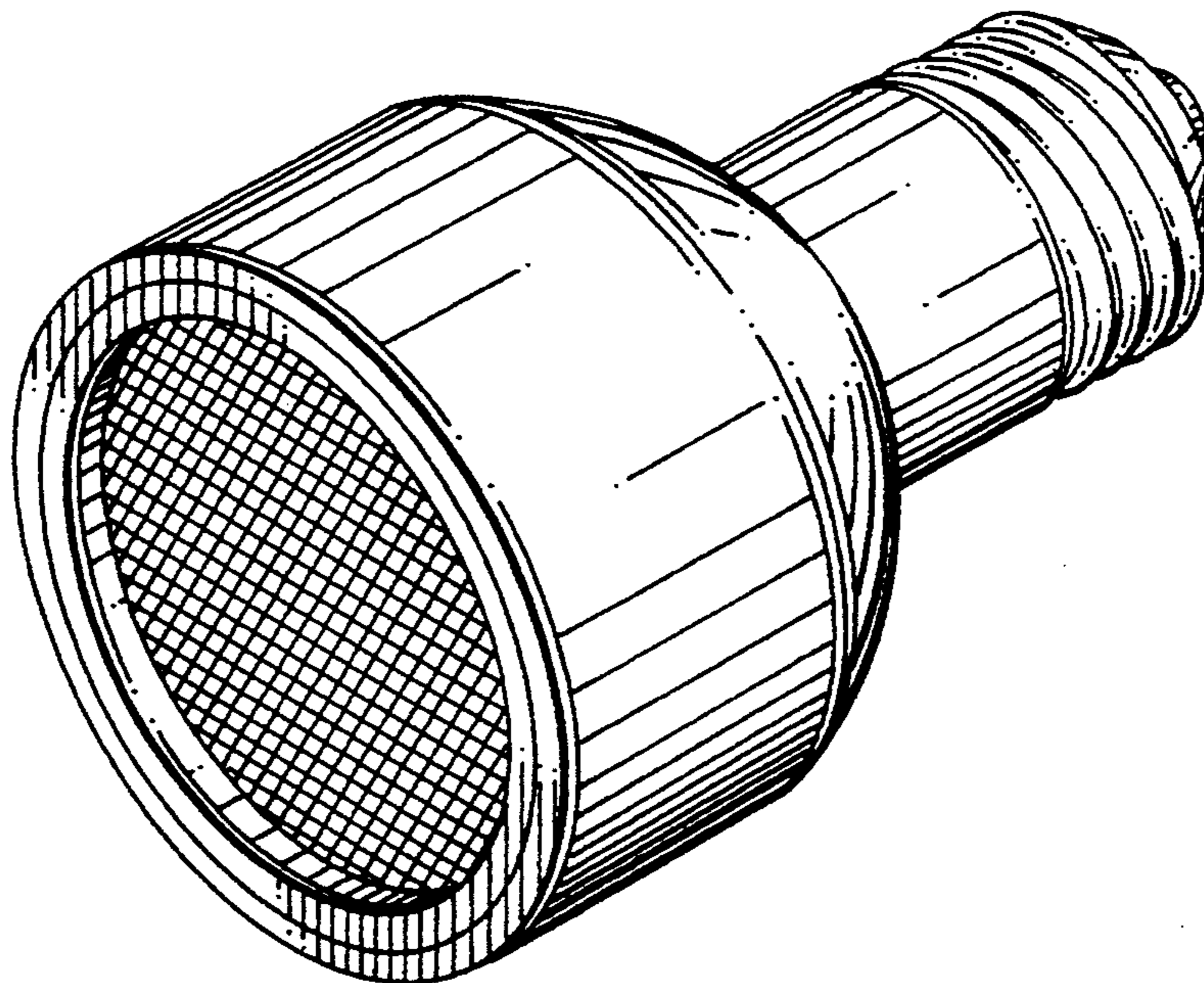
Primary Examiner—James M. Gandy
Assistant Examiner—Marcus Jackson

[57] **CLAIM**

The ornamental design for a combined motion sensor and audible alarm, as shown and described.

DESCRIPTION

FIG. 1 is a perspective view of a combined motion sensor and audible alarm showing my new design; and, FIG. 2 is a reduced elevational view thereof, with the opposite side being a mirror image.



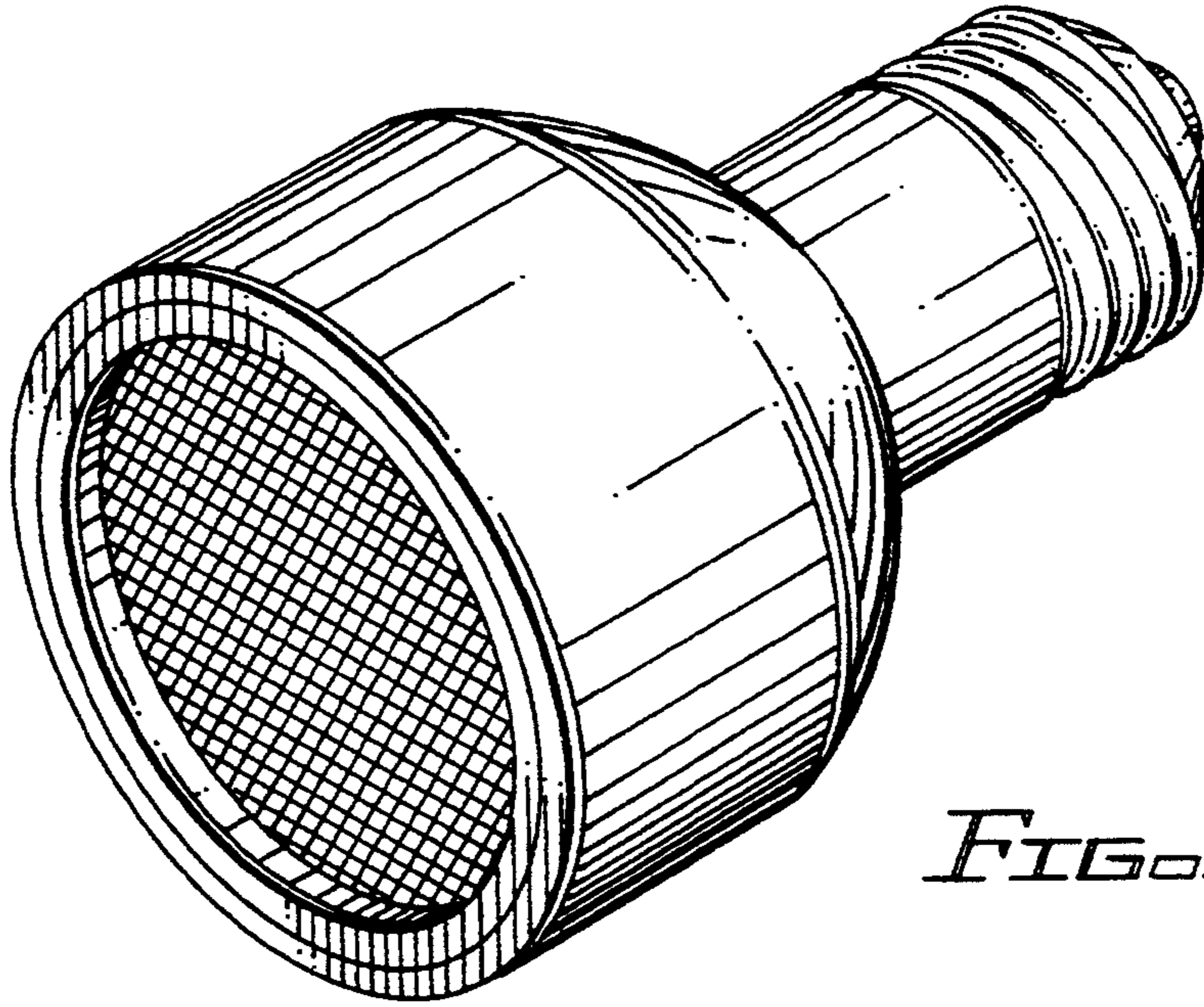


FIG. 1

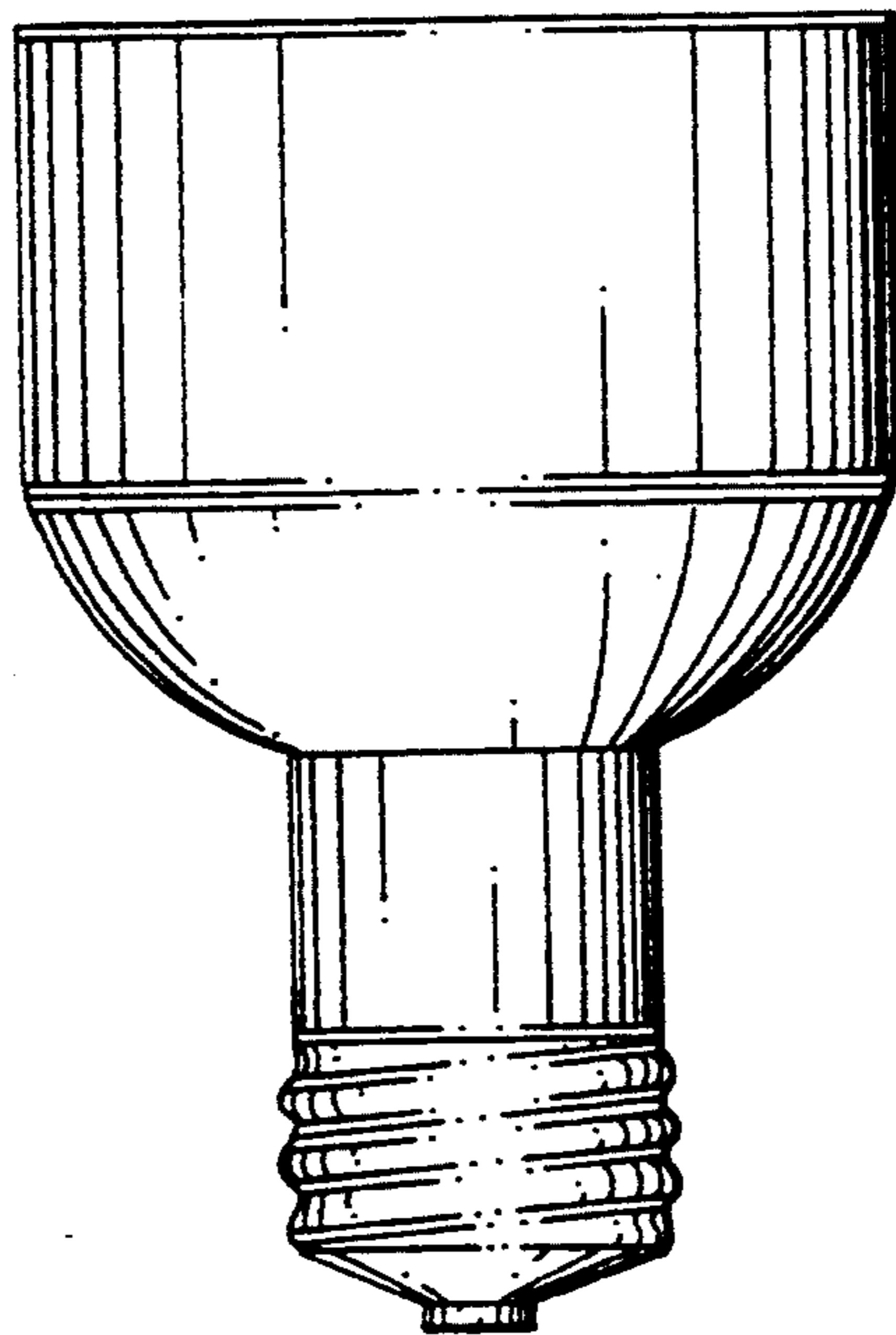


FIG. 2