



US00D356273S

United States Patent [19]
Pijut

[11] **Patent Number: Des. 356,273**

[45] **Date of Patent: ** Mar. 14, 1995**

[54] **PROTECTIVE CAGE FOR GAUGES**

D. 250,400 11/1978 Haidek D10/103
5,119,677 6/1992 Porter 73/431

[75] Inventor: **Anthony P. Pijut, St. Louis, Mo.**

[73] Assignee: **Standard Keil Industries, Inc.,
Allenwood, N.J.**

[**] Term: **14 Years**

[21] Appl. No.: **15,057**

[22] Filed: **Nov. 4, 1993**

[52] U.S. Cl. **D10/103; D10/96;
D10/99**

[58] **Field of Search** **D10/96, 99, 103; 73/3,
73/4 R, 272 R, 273, 431, 865.1, 861.02, 861.03,
382 R; 359/808, 809, 810, 895, 525, 636, 821,
533, 528**

[56] **References Cited**

U.S. PATENT DOCUMENTS

D. 195,783 7/1963 Woods, Jr. D10/103
D. 228,525 10/1973 Buckley D10/103

OTHER PUBLICATIONS

Meco catalog, Date of reference is prior to the filing date Nov. 4, 1993.

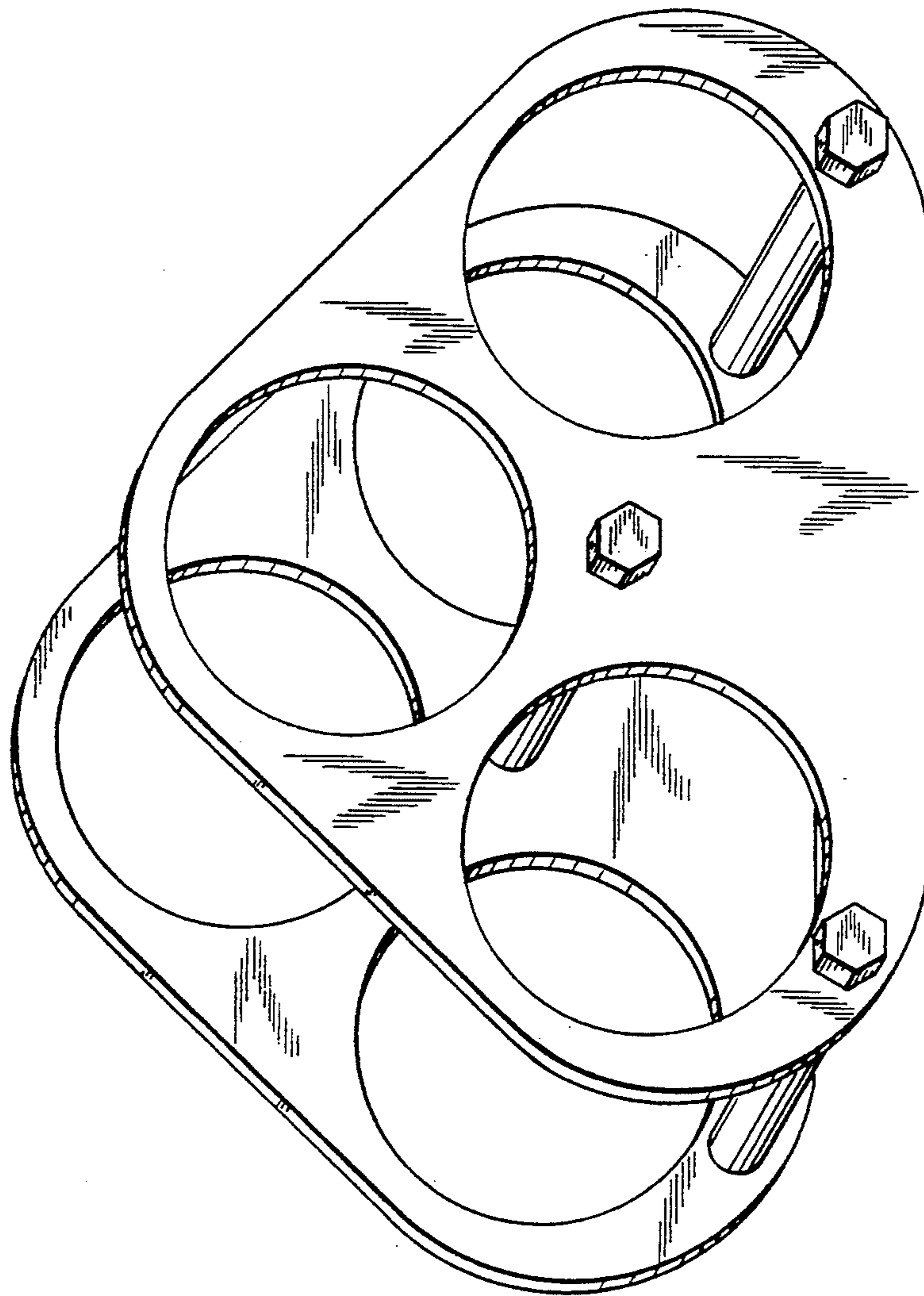
Primary Examiner—Alan P. Douglas
Assistant Examiner—Antoine D. Davis
Attorney, Agent, or Firm—Schweitzer Cornman & Gross

[57] **CLAIM**

The ornamental design for a protective cage for gauges, as shown and described.

DESCRIPTION

FIG. 1 is a front perspective view of my design;
FIG. 2 is a top plan view thereof;
FIG. 3 is a rear elevation view thereof;
FIG. 4 is a right side elevational view thereof, the left side being a mirror image; and,
FIG. 5 is a bottom plan view thereof.



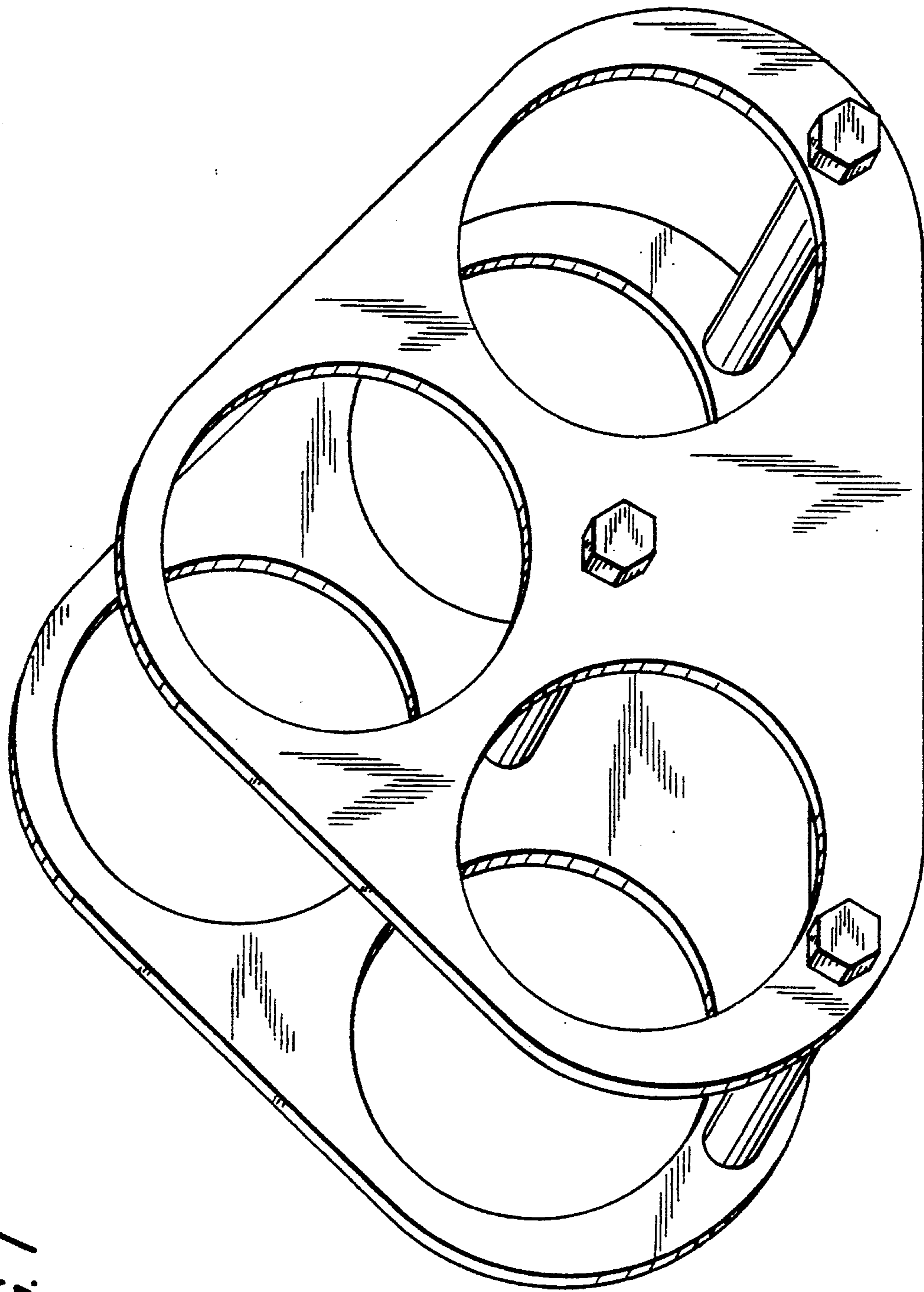


FIG. 1

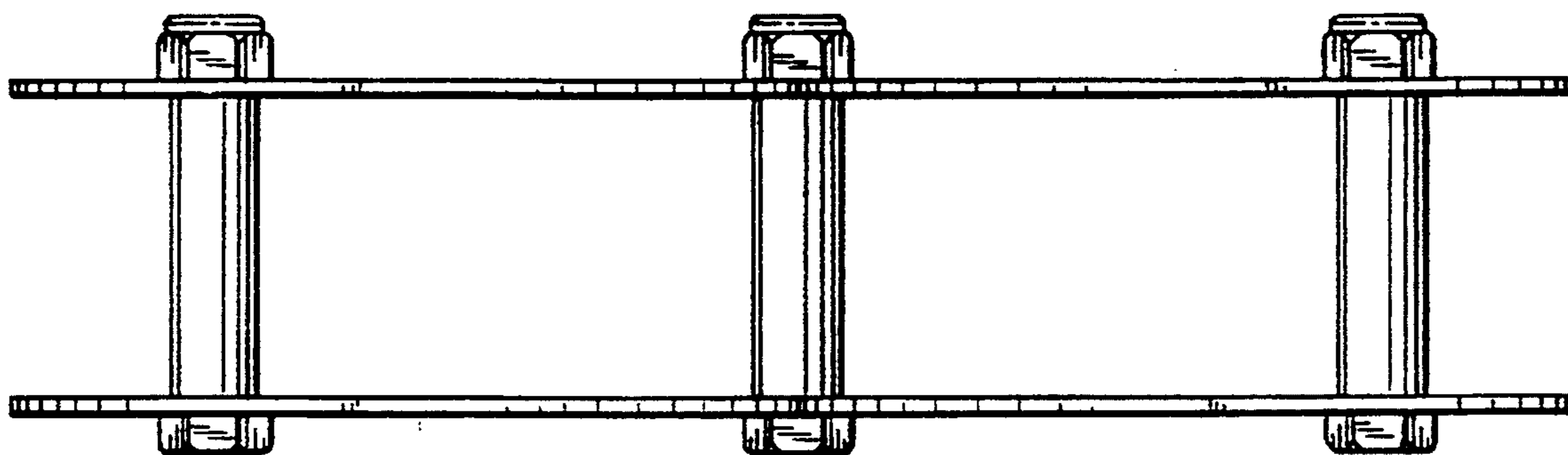
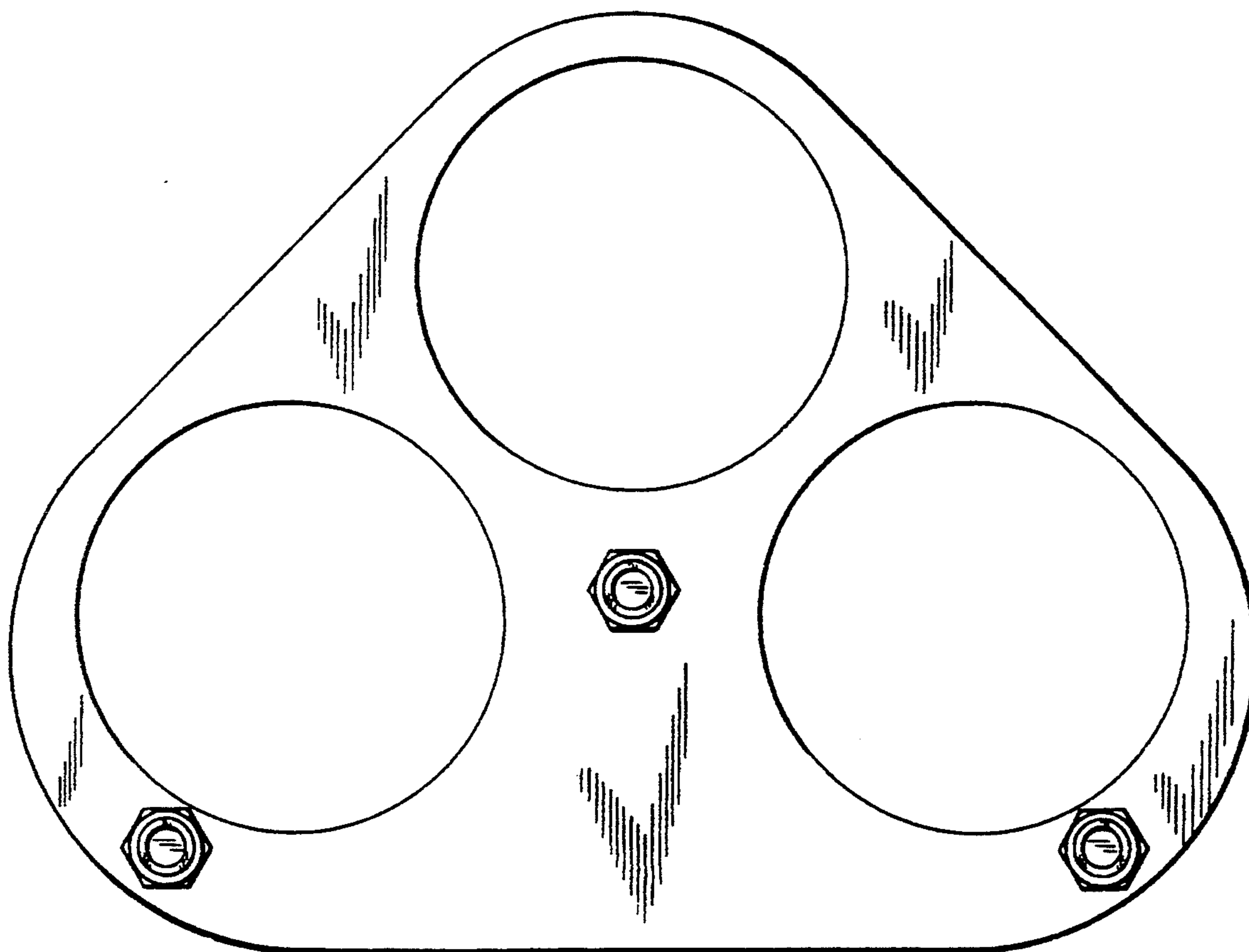


FIG. 2

FIG. 3



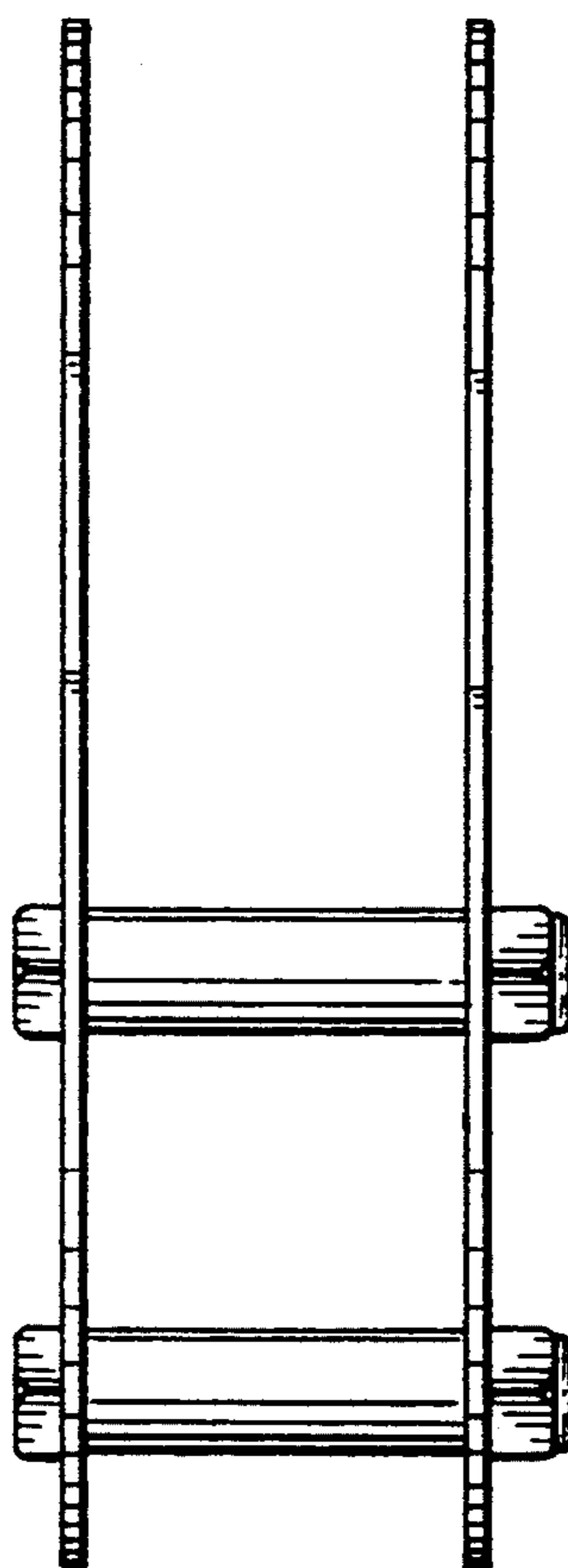


FIG. 4

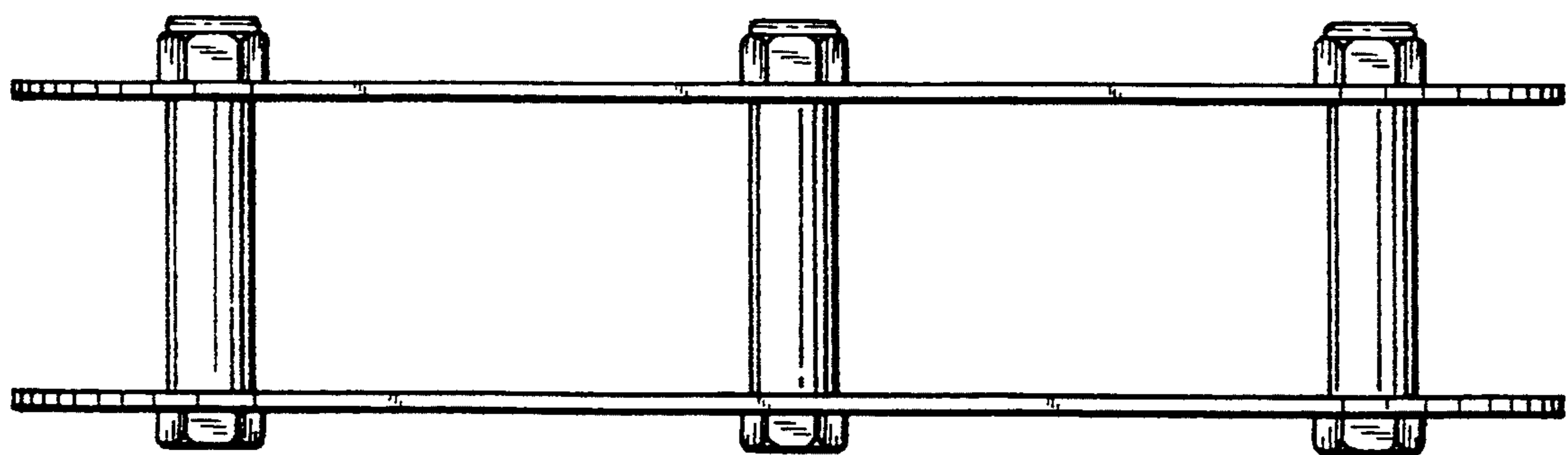


FIG. 5