



US00D356267S

# United States Patent [19] Courteault

[11] Patent Number: **Des. 356,267**

[45] Date of Patent: **\*\* Mar. 14, 1995**

## [54] WATCH WITH BAND PORTIONS

[75] Inventor: **M. Pascal Courteault, Paris, France**

[73] Assignee: **Societe Nouvelle Chaumet, S.A.,  
Paris, France**

[\*\*] Term: **14 Years**

[21] Appl. No.: **4,361**

[22] Filed: **Feb. 3, 1993**

[52] U.S. Cl. .... **D10/38; D10/30**

[58] Field of Search ..... **D10/1-40,  
D10/122-132; 368/233, 232, 280-282, 285,  
276-277**

## [56] References Cited

### U.S. PATENT DOCUMENTS

D. 325,533	4/1992	Bulgari	.....	D10/39
D. 325,704	4/1992	Bulgari	.....	D10/39
797,219	8/1905	Porter	.....	368/233
3,685,283	8/1972	Bamat	.....	368/233
4,185,621	1/1980	Morrow	.....	D10/32 X

## OTHER PUBLICATIONS

*European Jeweler*-Oct. 1972-p. 97-Watch "E" At Right.

*European Jeweler*. Jul. 1974-p. 58-Watch At Top Left.

*European Jeweler*-Jul. 1972-p. 3-Watch at Top.

*Primary Examiner*-Nelson C. Holtje

*Attorney, Agent, or Firm*-Steven H. Bazerman

## [57] CLAIM

The ornamental design for a watch with band portions, as shown and described.

## DESCRIPTION

FIG. 1 is a front plan view of the watch with band portions bearing my ornamental design;

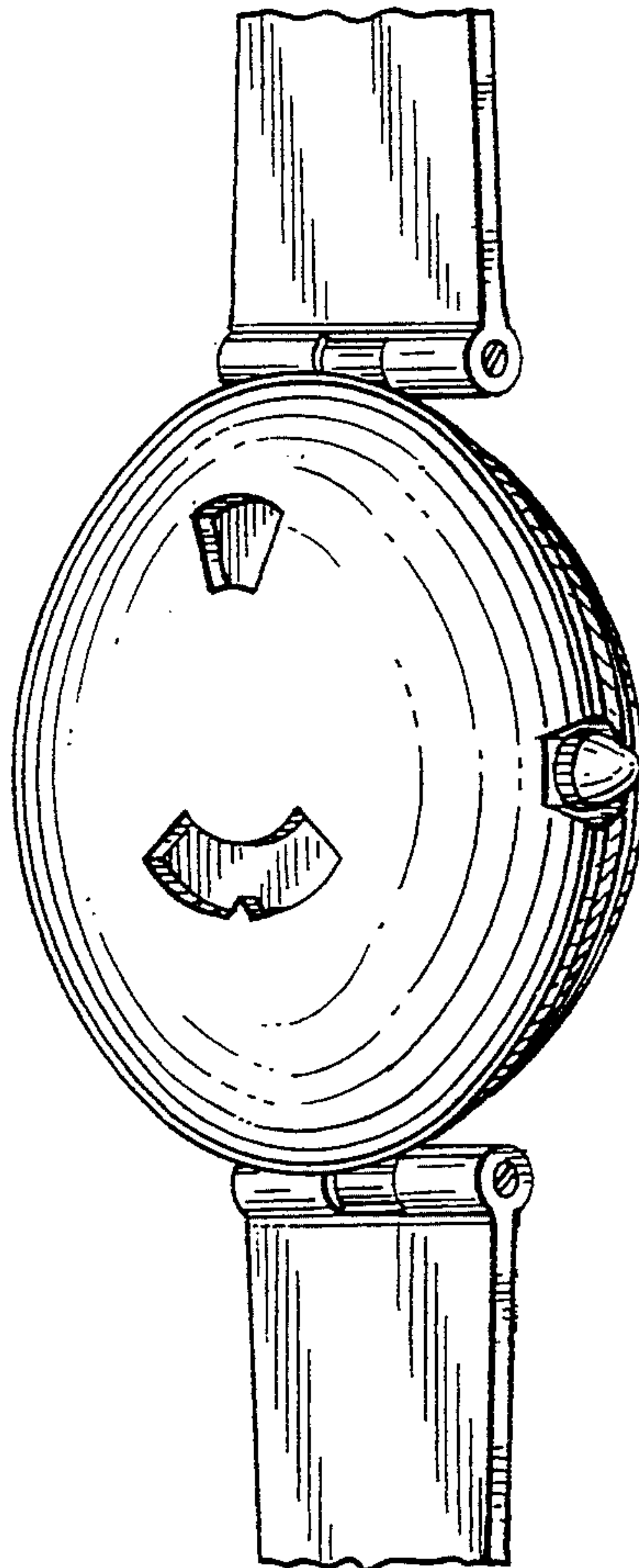
FIG. 2 is a back plan view of the watch with band portions bearing my ornamental design;

FIG. 3 is a side view of the watch with band portions bearing my ornamental design;

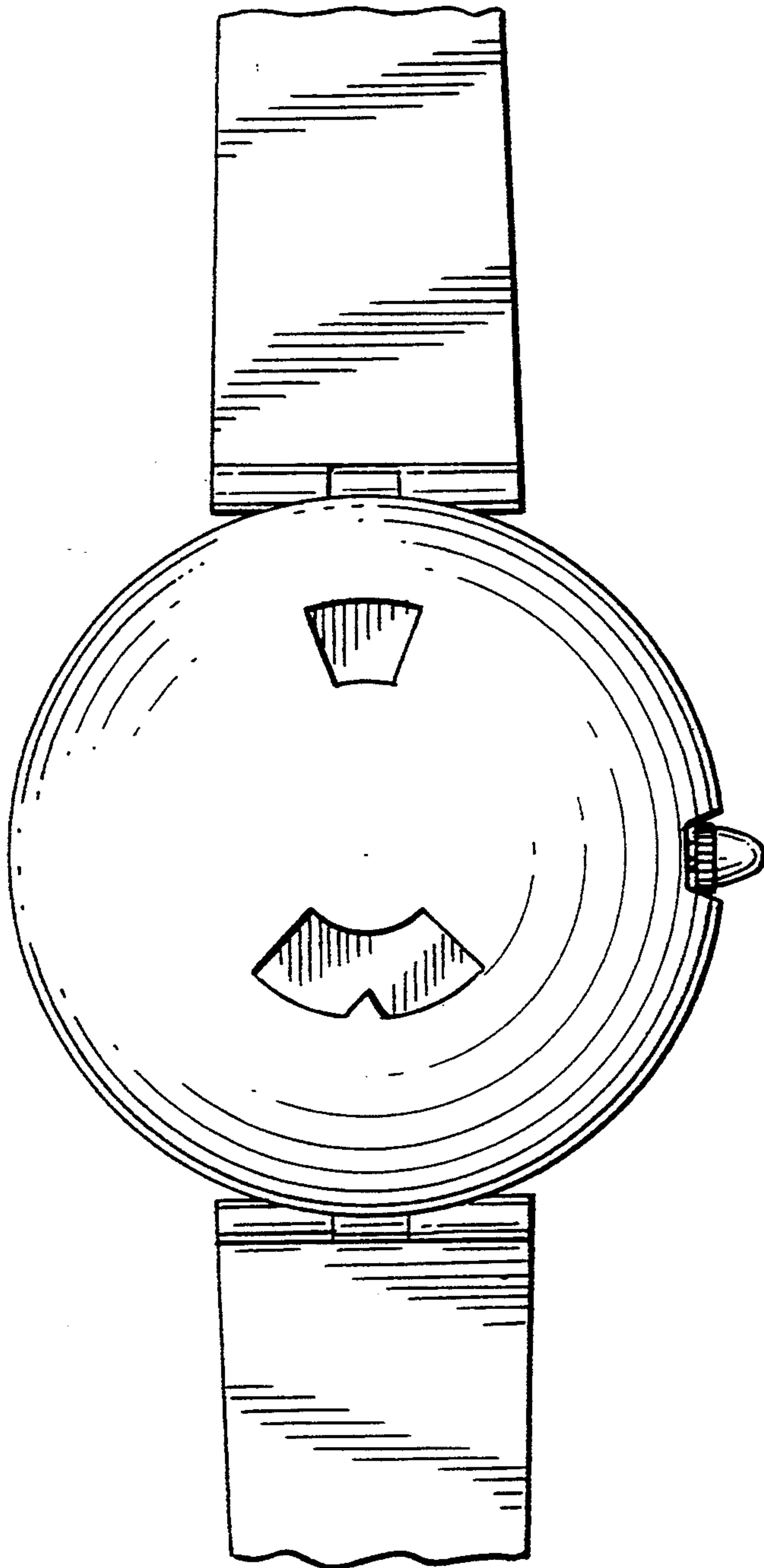
FIG. 4 is an opposite side view of the watch with band portions bearing my ornamental design;

FIG. 5 is a front perspective view of the watch with band portions bearing my ornamental design; and,

FIG. 6 is a side perspective view of the watch with band portions bearing my ornamental design.



*FIG. 1*



*FIG. 3*

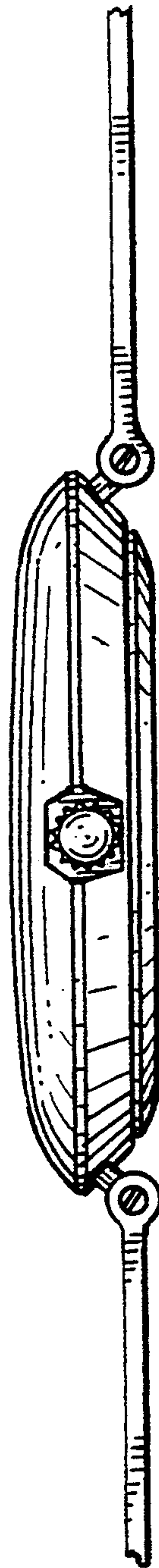


FIG. 2

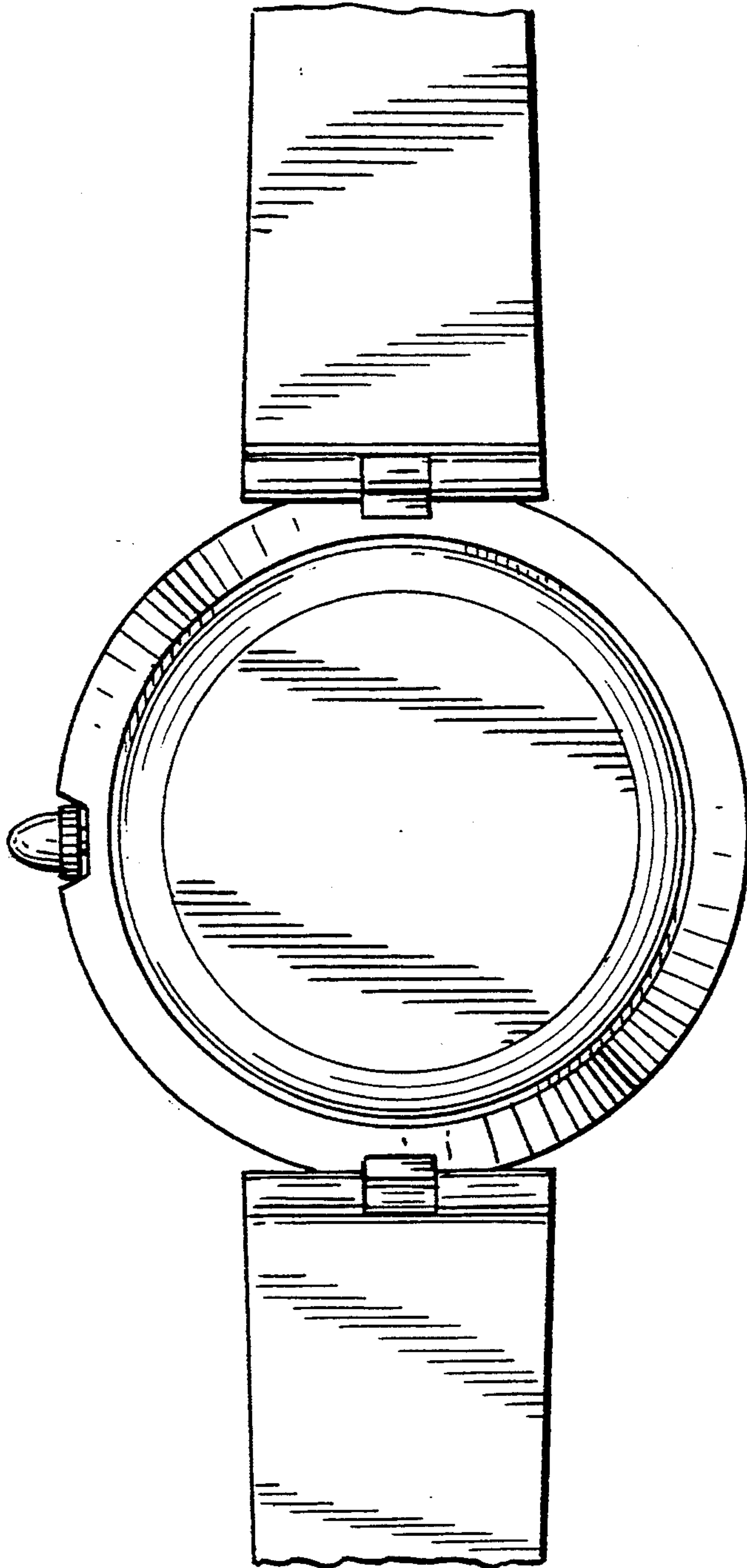


FIG. 4

