



US00D356256S

United States Patent [19]

[11] Patent Number: **Des. 356,256**

Romanoff

[45] Date of Patent: **** Mar. 14, 1995**

[54] **STORAGE BOX WITH LID**

4,286,713 9/1981 Marchais 220/380 X
4,819,795 4/1989 Swaney 206/508 X

[75] Inventor: **David Romanoff**, New York, N.Y.

[73] Assignee: **Romanoff Products, Inc.**, New York, N.Y.

[**] Term: **14 Years**

[21] Appl. No.: **17,304**

[22] Filed: **Jan. 10, 1994**

[52] U.S. Cl. **D9/425; D9/432; D7/629**

[58] Field of Search **D9/424, 425, 430, 431, D9/432, 423; D7/629; 206/508; 220/253, 307, 345, 351, 356, 363, 380, 387**

[56] **References Cited**

U.S. PATENT DOCUMENTS

D. 289,262	4/1987	Goetz et al.	D9/431 X
D. 302,774	8/1989	Murphy	D9/425 X
D. 311,334	10/1990	Flynn et al.	D7/629 X
3,383,009	5/1968	Weikert	206/508 X
3,447,714	6/1969	Elliot	220/380

OTHER PUBLICATIONS

Good House Keeping Jul. 1974, p. 124c.
McKee Glass Co., 1942, p. 3.

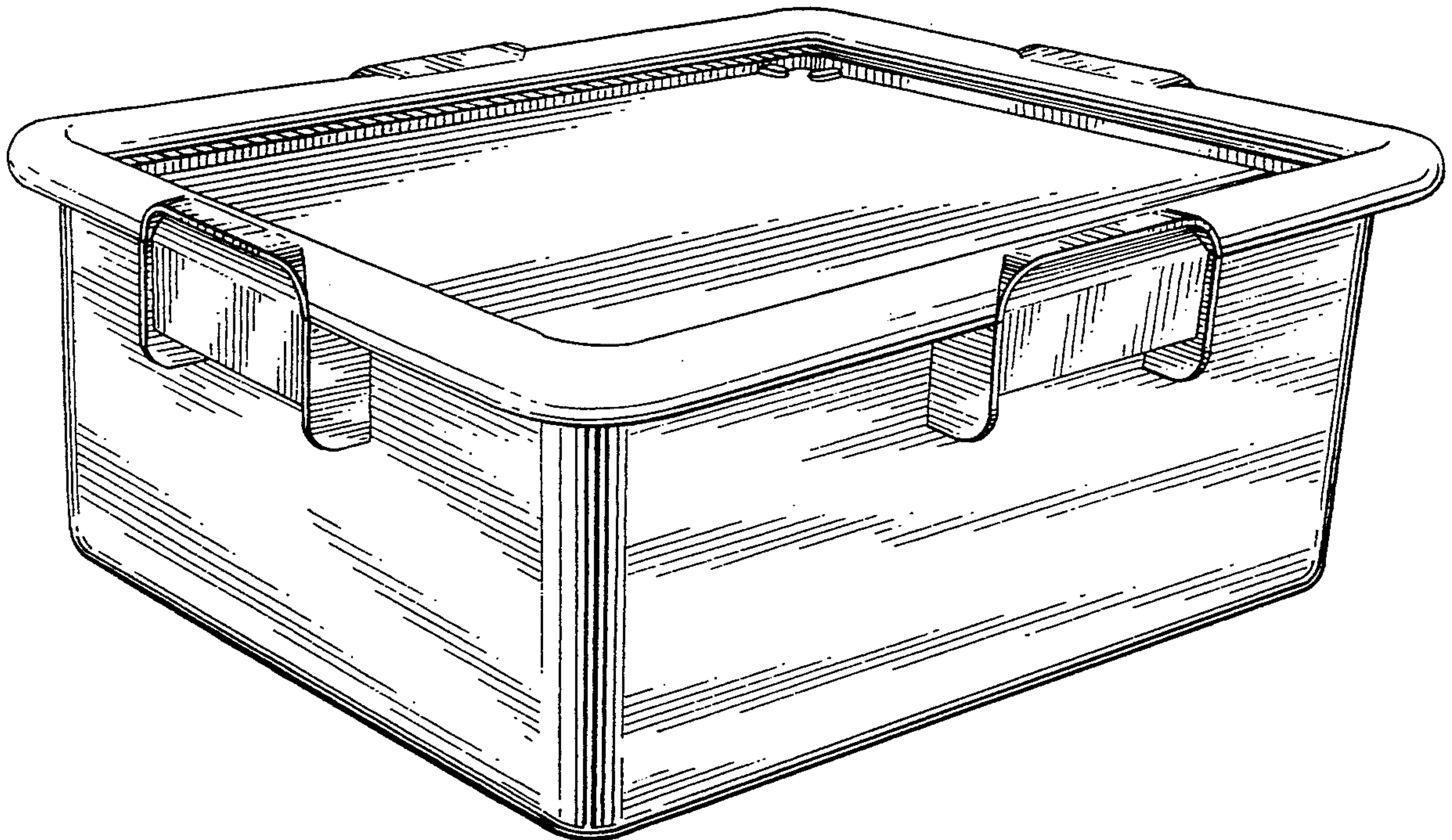
Primary Examiner—Prabhakar G. Deshmukh
Attorney, Agent, or Firm—Saidman DesignLaw Group

[57] **CLAIM**

The ornamental design for a storage box with lid, as shown and described.

DESCRIPTION

FIG. 1 is a perspective view of a storage box with lid showing my new design;
FIG. 2 is a side view in elevation thereof, the other side being substantially identical;
FIG. 3 is an end view in elevation thereof, the other end being substantially identical;
FIG. 4 is a top view thereof;
FIG. 5 is a bottom view thereof; and,
FIG. 6 is an exploded, perspective view thereof.



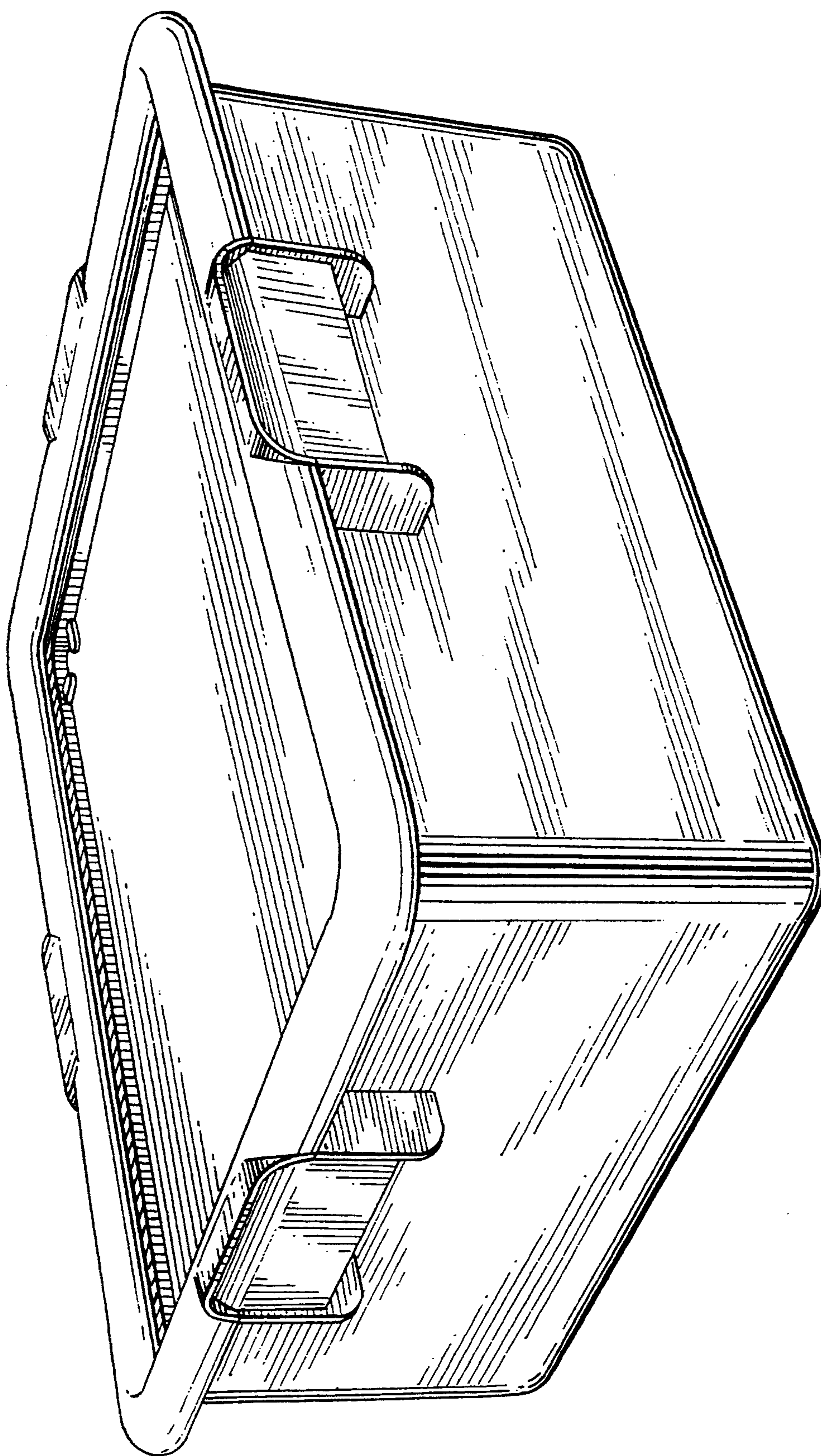


FIG. 1

FIG. 4

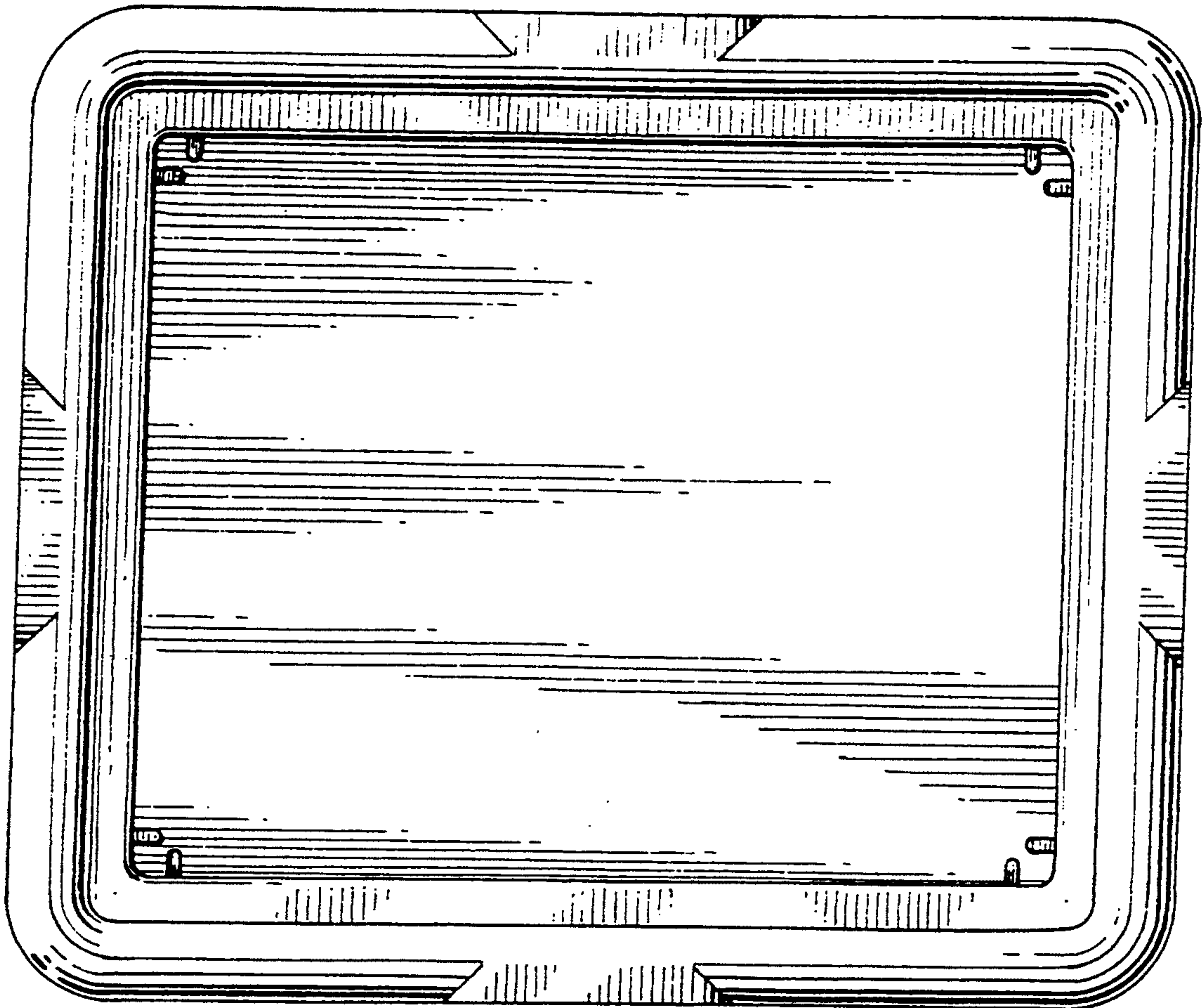


FIG. 2

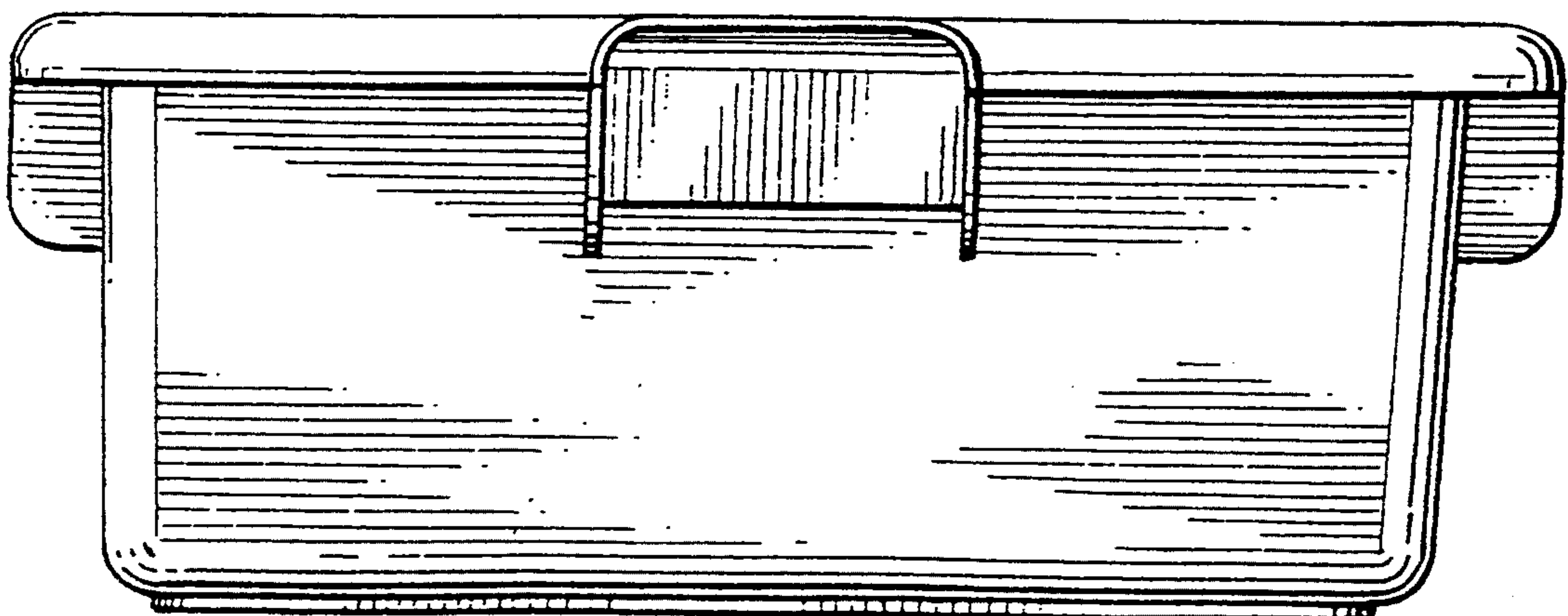


FIG. 5

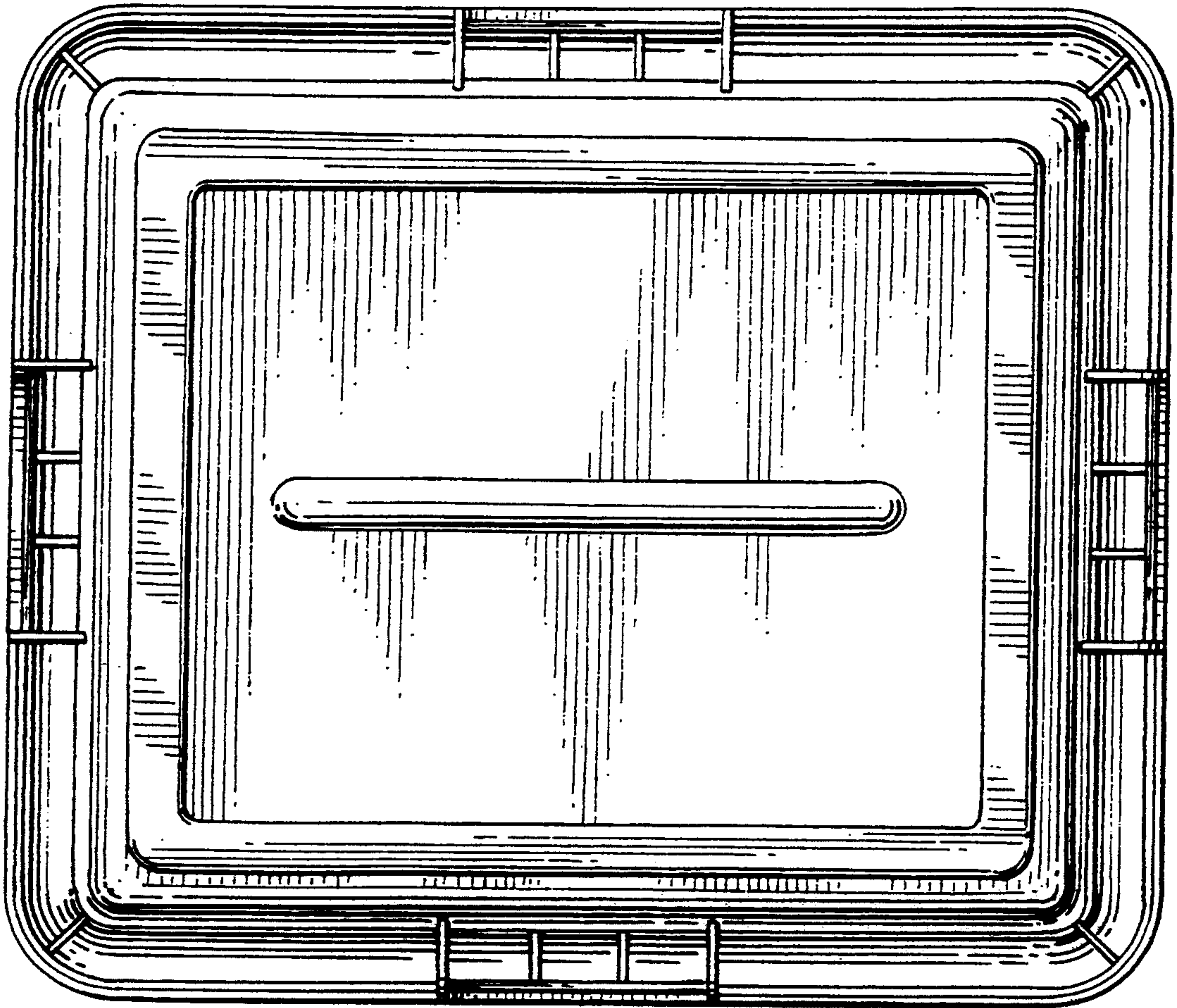
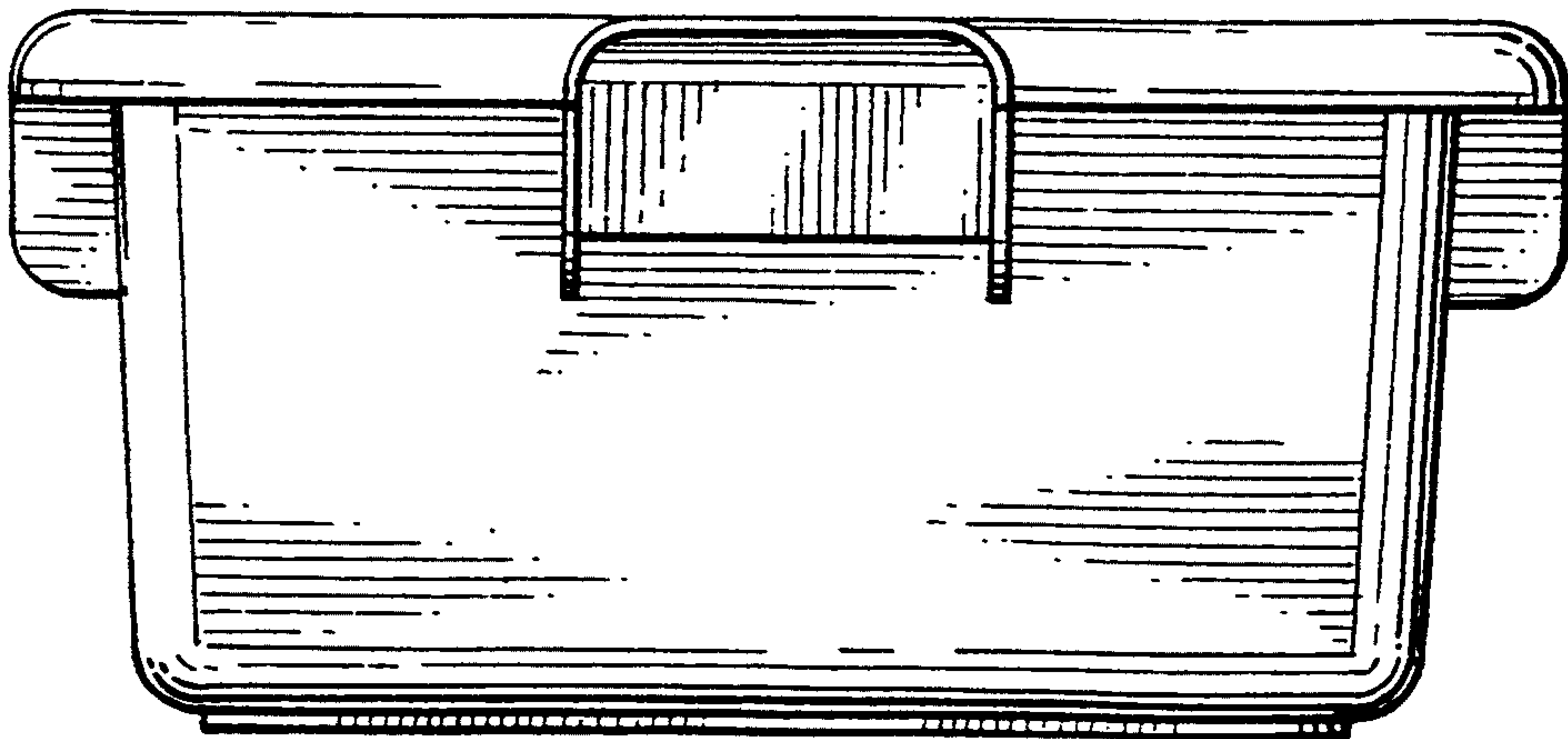


FIG. 3



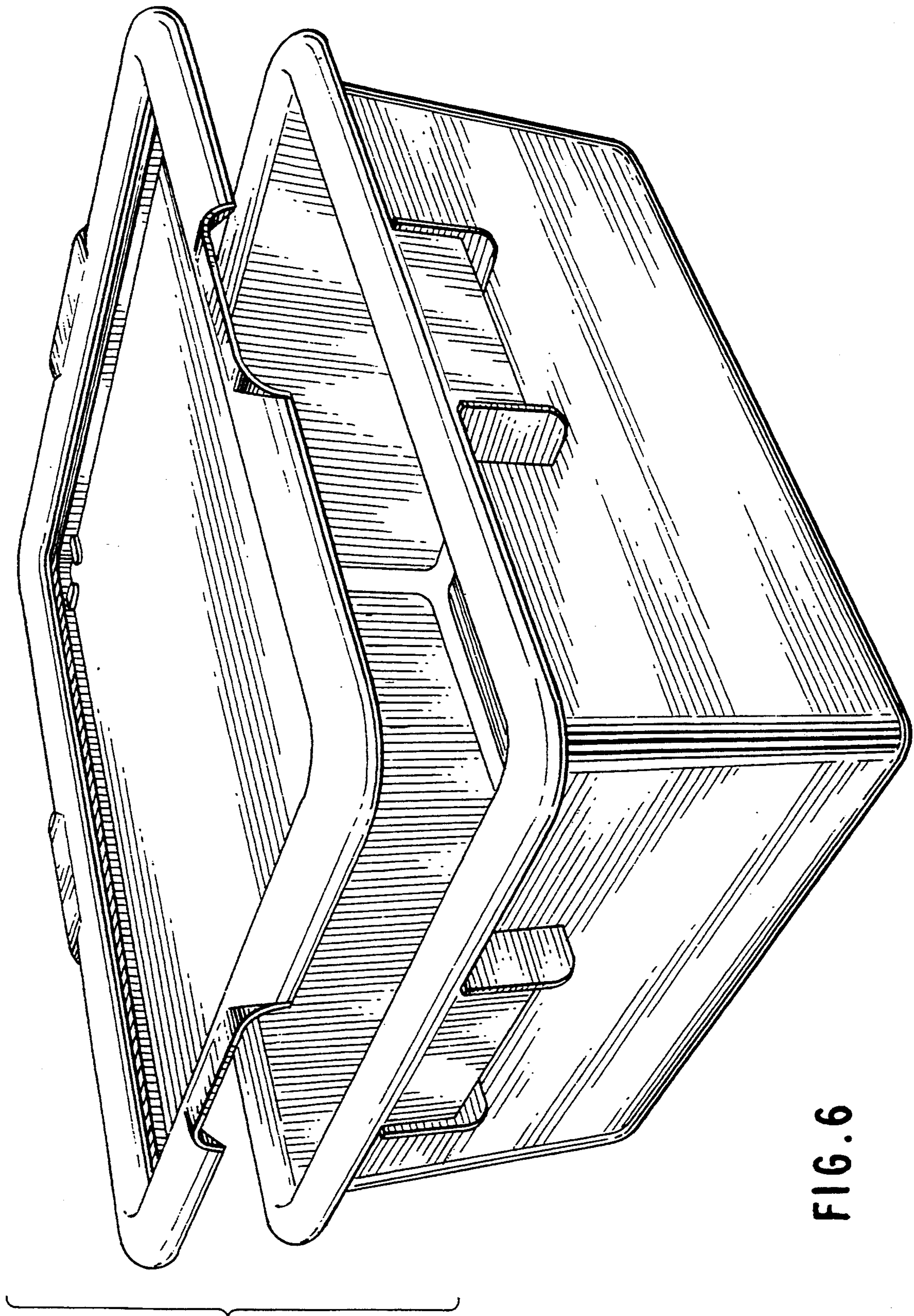


FIG. 6