



US00D356255S

United States Patent [19] Syrek

[11] Patent Number: **Des. 356,255**
[45] Date of Patent: ** Mar. 14, 1995

[54] **STACKABLE CONTAINER**
[75] Inventor: **Gerald M. Syrek**, Washingtonville,
N.Y.
[73] Assignee: **Eastman Kodak Company**,
Rochester, N.Y.
[**] Term: **14 Years**
[21] Appl. No.: **9,240**
[22] Filed: **Jun. 8, 1993**

4,903,453 2/1990 Newsom .
5,035,098 7/1991 Newsom .
5,058,357 10/1991 Newsom .
5,219,087 6/1993 Christensson 220/324 X

FOREIGN PATENT DOCUMENTS

1394391 2/1965 France .
1404289 5/1965 France .
1907662 9/1970 Germany .
92403 9/1972 Germany .
29 47 678 7/1980 Germany .
38 04 275 8/1989 Germany .
39 20 886 1/1991 Germany .

Related U.S. Application Data

[63] Continuation-in-part of Ser. No. 931,483, Aug. 19,
1992, abandoned.
[52] U.S. Cl. **D9/424; D9/432**
[58] Field of Search **D9/420-423,**
D9/414, 432, 341, 424; 206/508, 509, 821;
220/4.27, 4.26, 23.6, 23.2, 23.4, 23.8, 23.83,
334-339, 324, 354; D3/304, 201; D25/113, 114

OTHER PUBLICATIONS

Popular Science, Sep. 1994, p. 104, Edited by Candace
Golanski.
Popular Science, Sep. 1919, p. 53.
Primary Examiner—Prabhakar G. Deshmukh
Attorney, Agent, or Firm—Millen, White, Zelano &
Branigan

[56] References Cited

U.S. PATENT DOCUMENTS

D. 257,528 11/1980 Cherry D9/431
D. 283,487 4/1986 Holewinski et al. D9/430 X
D. 330,161 10/1992 Schuh D9/423
D. 336,613 6/1993 Zutler D9/423
2,695,645 11/1954 Topper 220/354
3,374,917 3/1968 Troy .
3,391,824 7/1968 Wiseman .
3,405,858 10/1968 Collie .
3,458,113 7/1969 Swartzbaugh .
3,616,943 11/1971 Brink .
3,640,018 2/1972 Light .
4,206,845 6/1980 Christian .
4,545,487 10/1985 Asmus .
4,621,744 11/1986 Foster .
4,624,383 11/1986 Moore .
4,694,961 9/1987 Menendez .
4,892,220 1/1990 Foos 220/337

[57] CLAIM

The ornamental design for a stackable container, as
shown and described.

DESCRIPTION

FIG. 1 is a perspective view of a stackable container
showing my new design;
FIG. 2 is a front elevational view thereof;
FIG. 3 is a rear elevational view thereof;
FIG. 4 is a top plan view thereof;
FIG. 5 is a bottom plan view thereof;
FIG. 6 is a left side elevational view thereof; the right
side elevational view being a mirror image thereof; and,
FIG. 7 is a front elevational view thereof; with the
container shown in interlocking relationship with other
similar stackable containers; the broken line showing of
the attached containers is for illustrative purpose only
and forms no part of the claim.

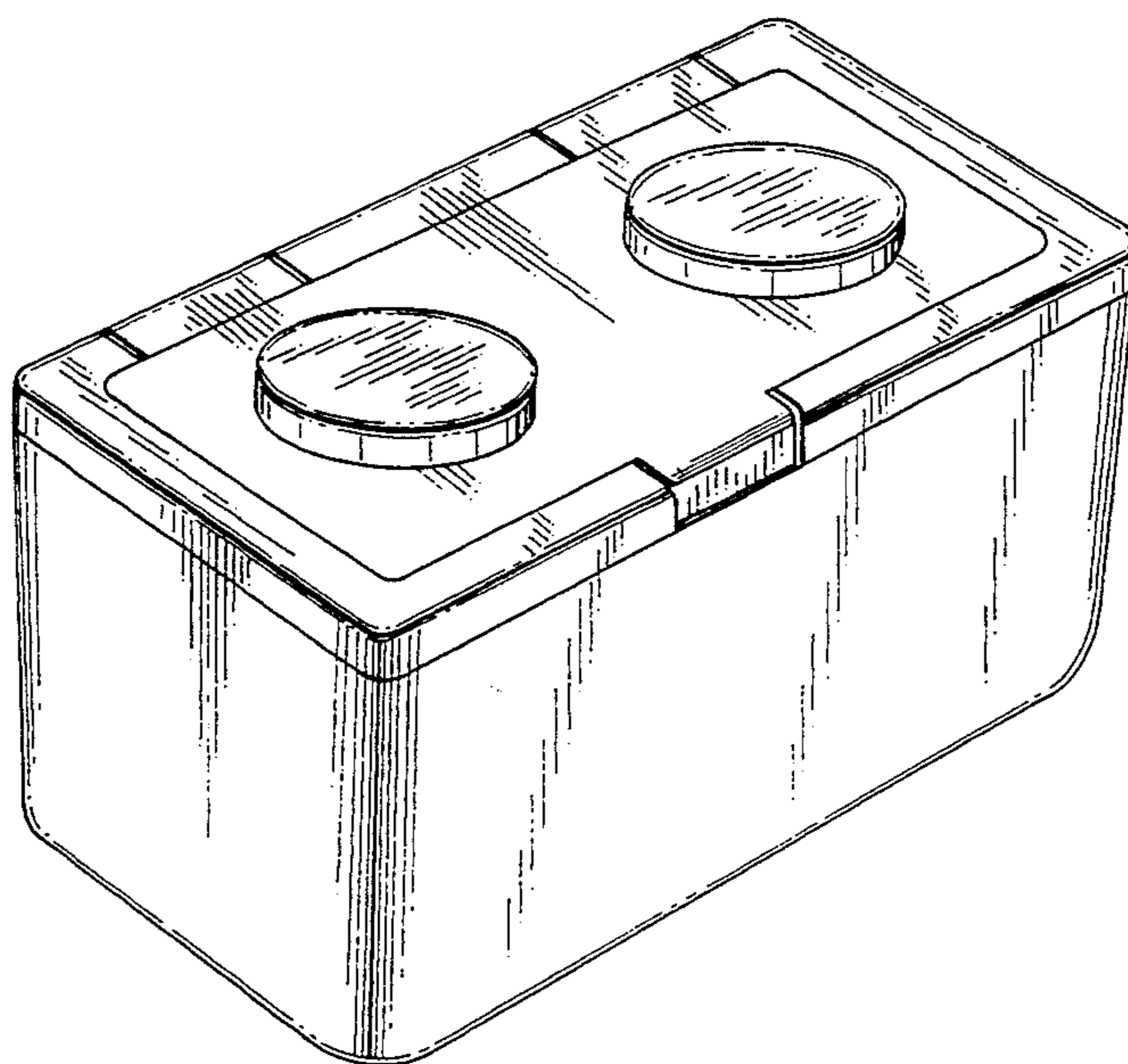


FIG. 1

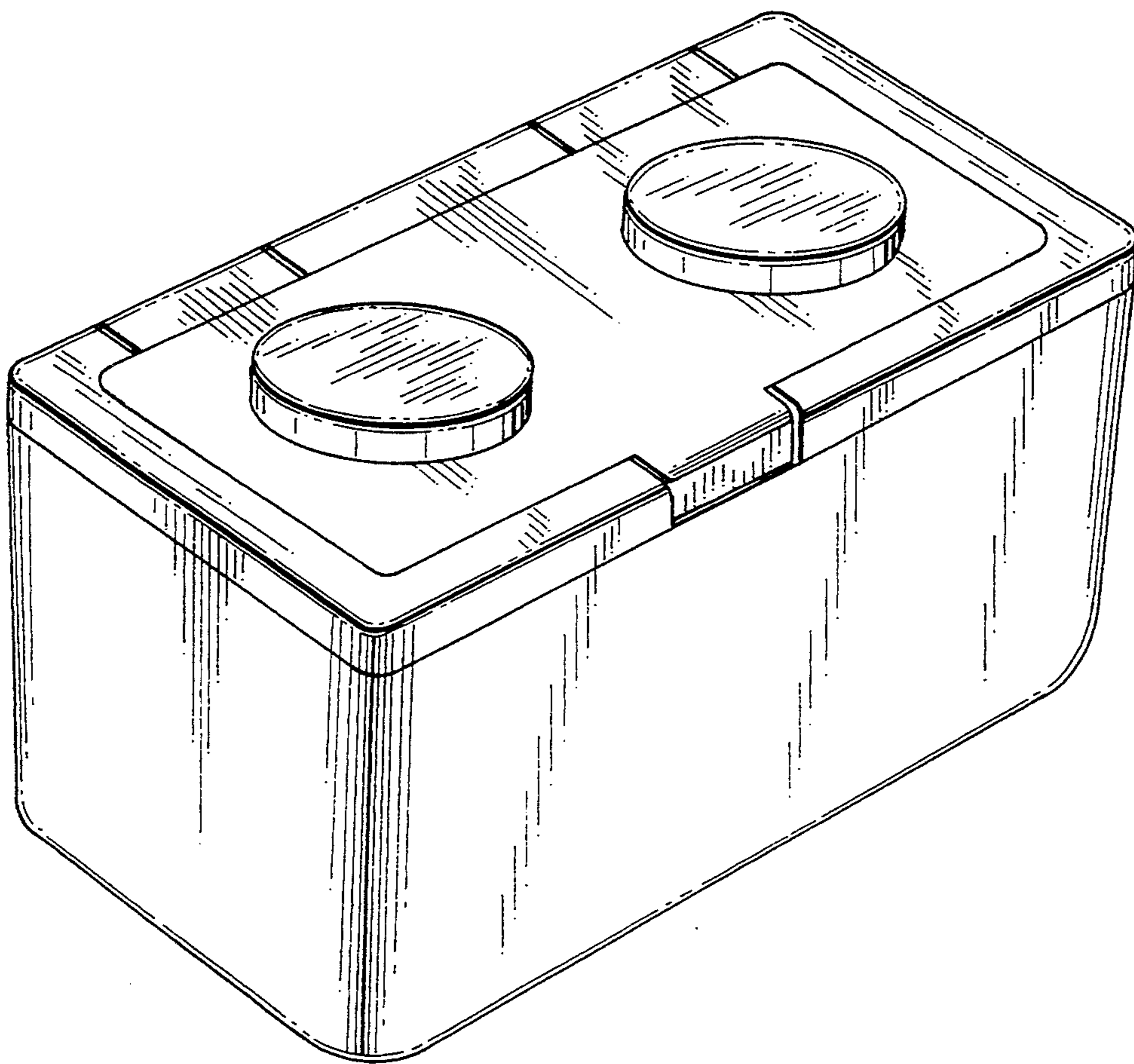


FIG. 2

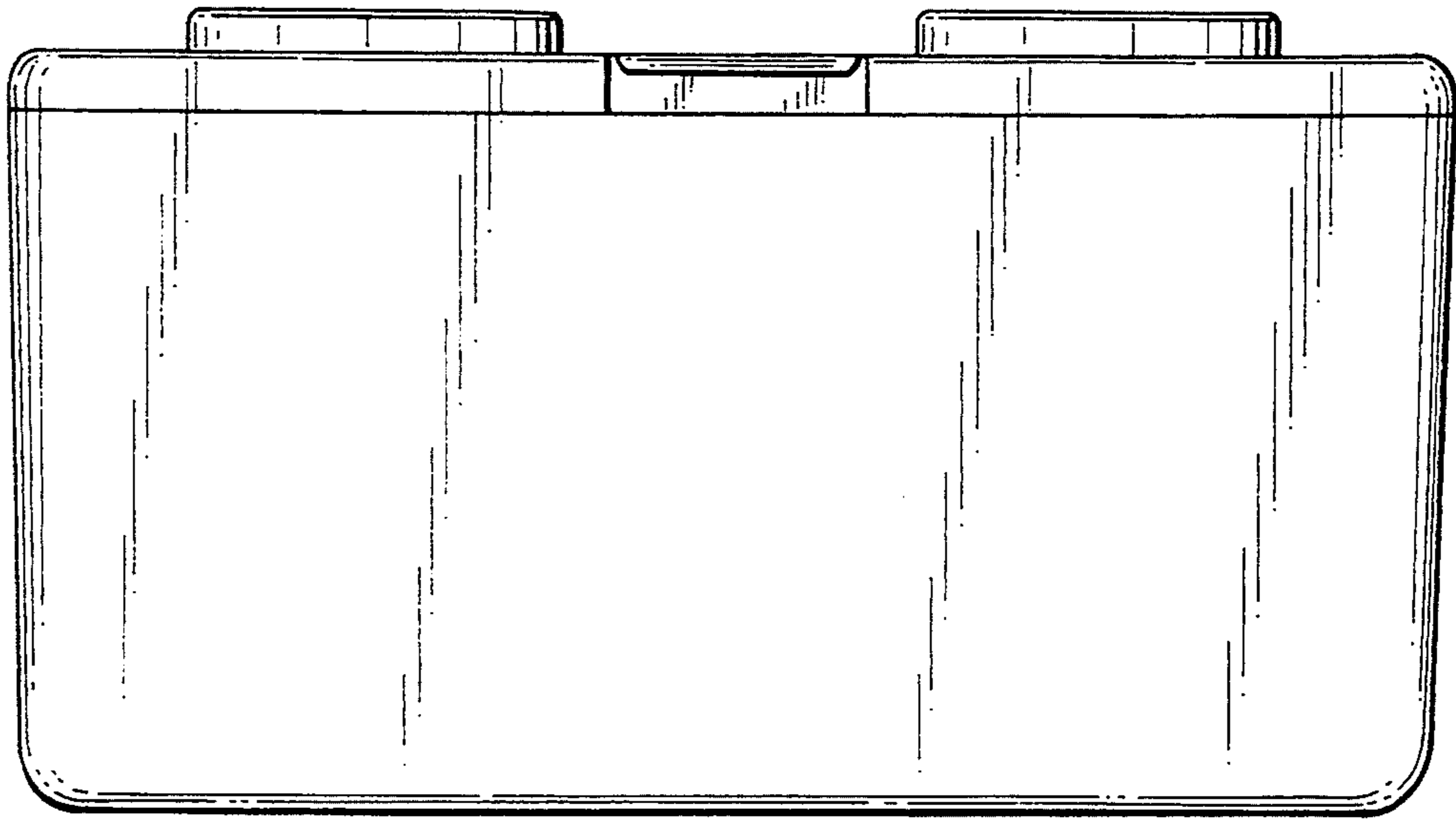


FIG. 3

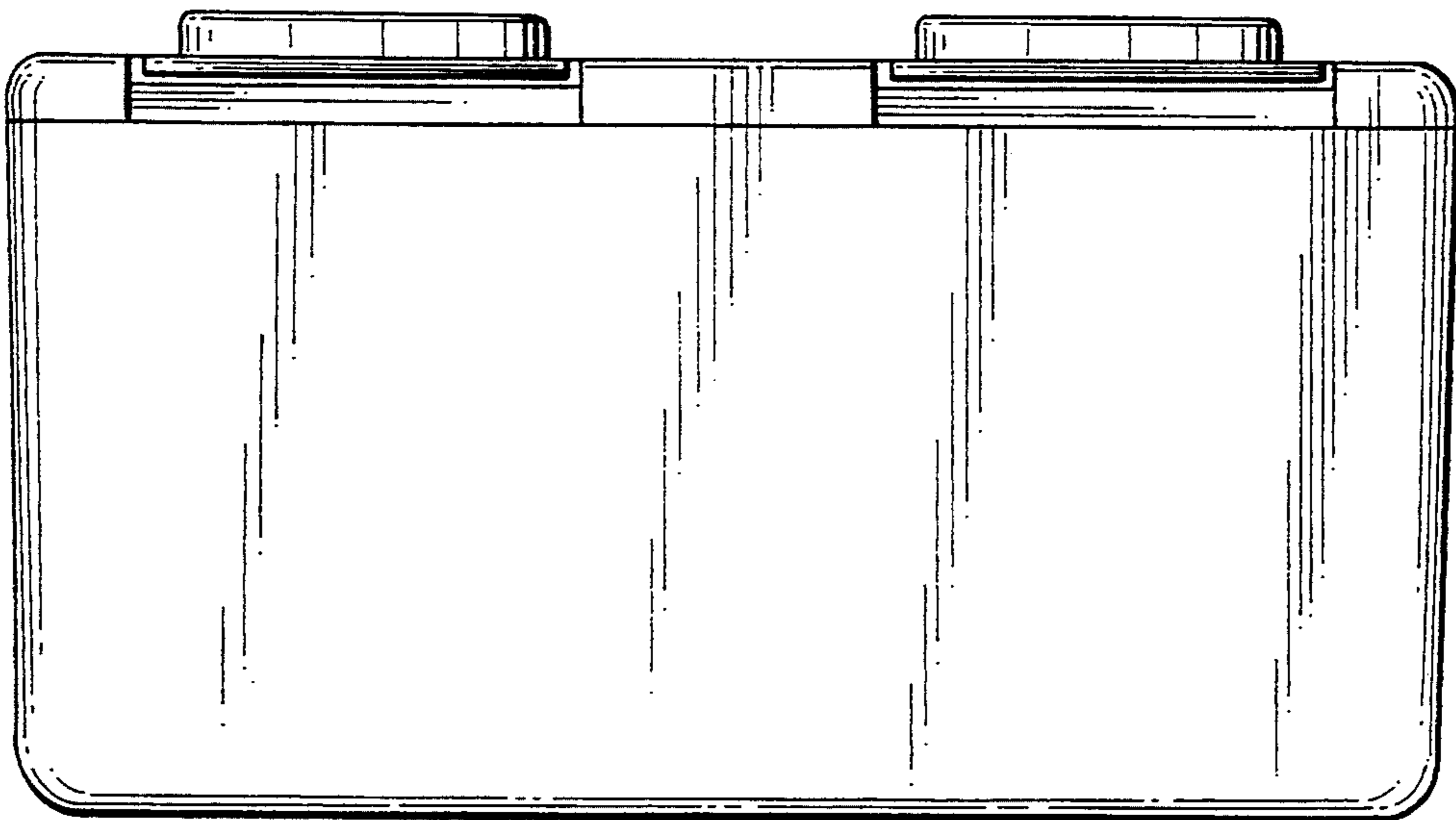


FIG. 4

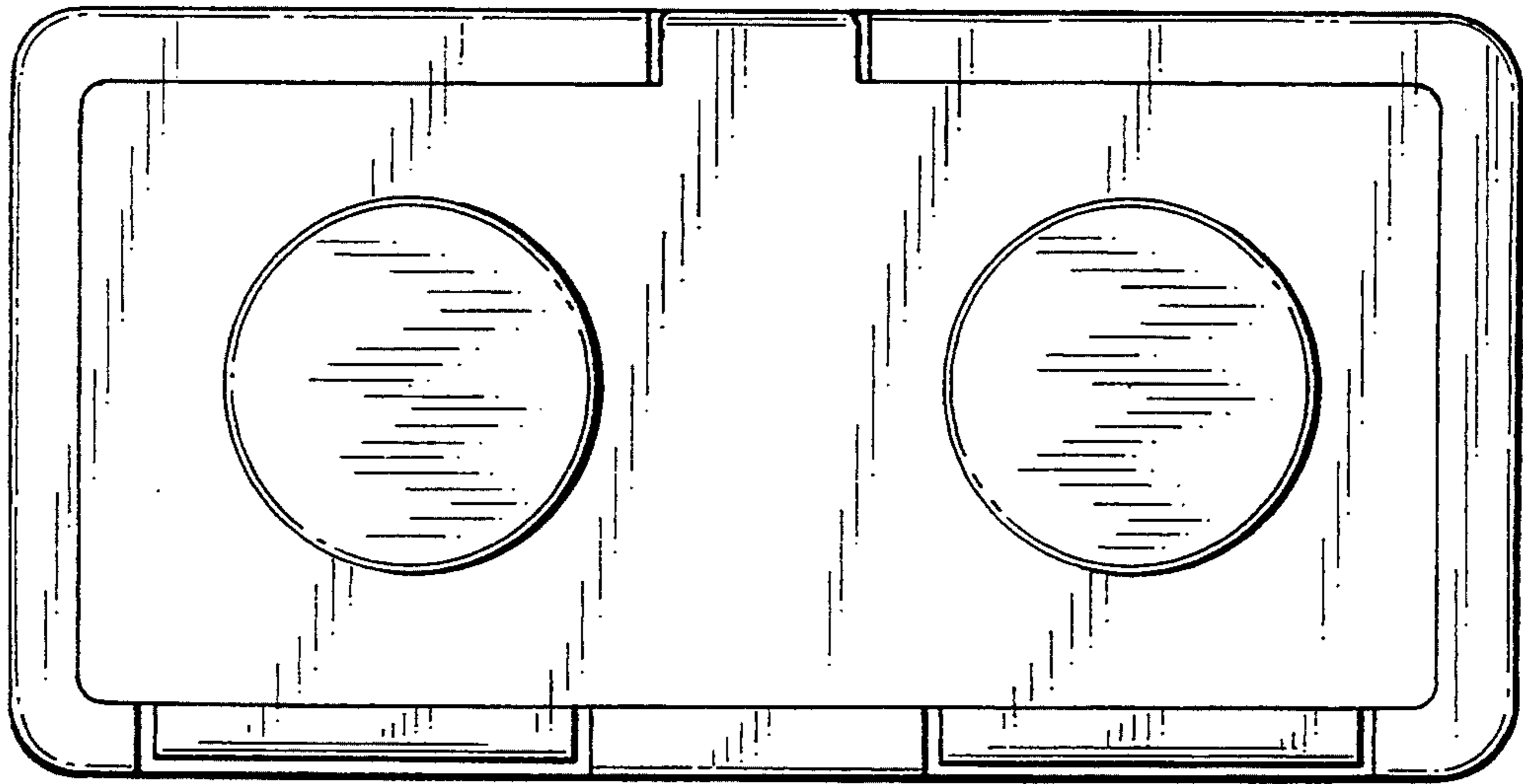


FIG. 5

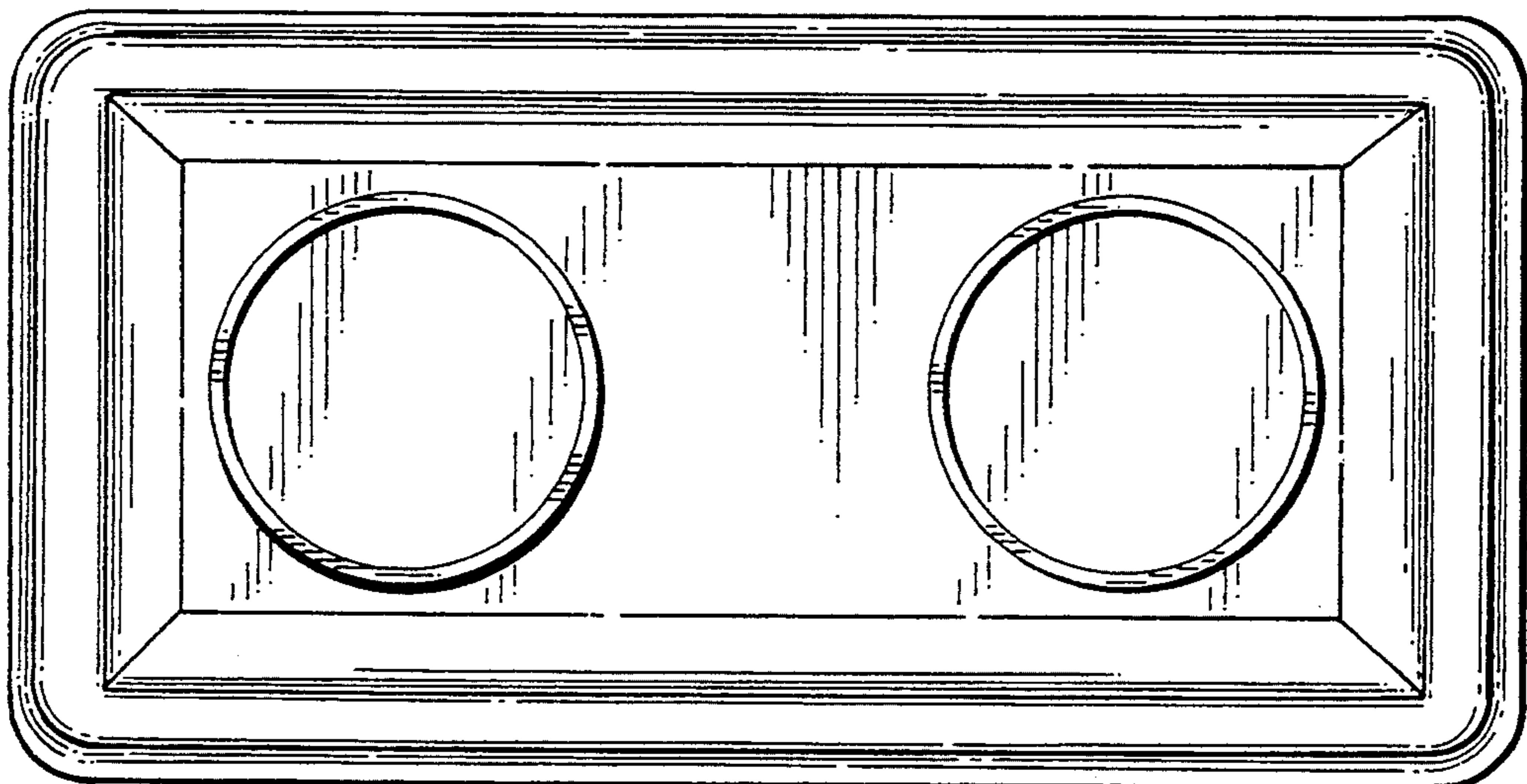


FIG. 6

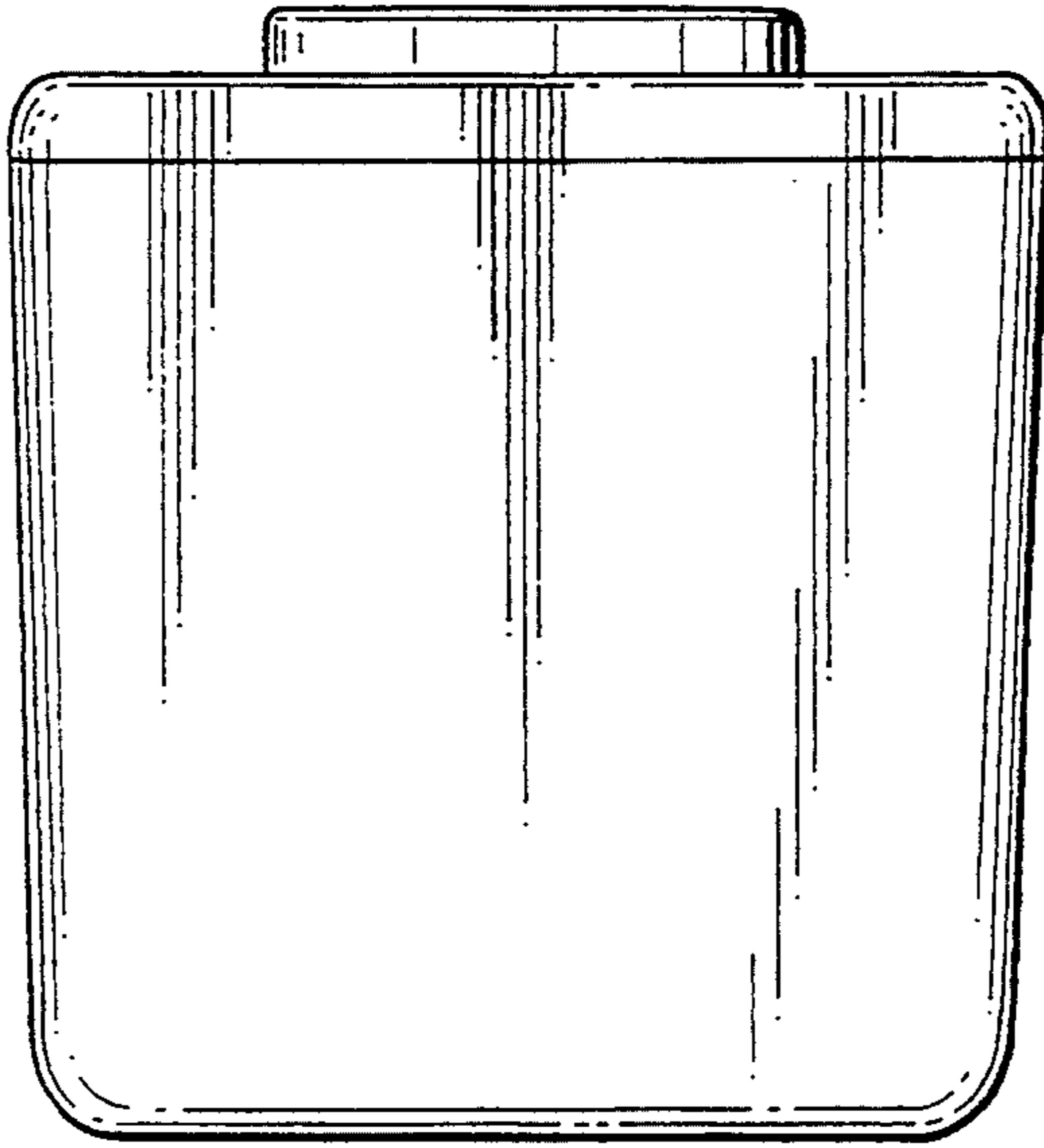


FIG. 7

