



US00D356250S

United States Patent [19]

[11] Patent Number: **Des. 356,250**

Chang

[45] Date of Patent: ** Mar. 14, 1995

[54] **MULTI-FUNCTION CONTAINER**

[76] Inventor: **S. K. Chang**, No. 71, Lane 54, Sec. 2, An-Ho Rd., Tainan City, Taiwan, Prov. of China

[**] Term: **14 Years**

[21] Appl. No.: **12,199**

[22] Filed: **Aug. 26, 1993**

[52] U.S. Cl. **D9/323; D9/422; D9/423**

[58] Field of Search **D9/420-423, D9/430, 323; D6/500, 502, 432; 220/4.01, 6, 263, 264, 254; 297/192, 193**

[56] **References Cited**

U.S. PATENT DOCUMENTS

D. 219,868	2/1971	Madl et al.	D9/422
D. 329,806	9/1992	Kindt	D9/430
3,145,646	8/1964	Levy	297/193
4,460,188	7/1984	Malooof	297/193 X
4,854,261	8/1989	Goldsmith	297/193 X
4,883,317	11/1989	Davenport	297/193
5,100,198	3/1992	Baltzell	297/192
5,269,157	12/1993	Ciminelli et al.	297/193 X

Primary Examiner—Prabhakar G. Deshmukh
Attorney, Agent, or Firm—Morton J. Rosenberg; David I. Klein

[57] **CLAIM**

The ornamental design for a multi-function container, as shown and described.

DESCRIPTION

FIG. 1 is a perspective view of a multi-function container showing my new design, with cap in a closed condition;

FIG. 2 is a front view thereof;

FIG. 3 is a rear view thereof;

FIG. 4 is a left view thereof;

FIG. 5 is a right view thereof;

FIG. 6 is a top plan view thereof;

FIG. 7 is a bottom plan view;

FIG. 8 is a second perspective view of the multi-function container showing the cap opened;

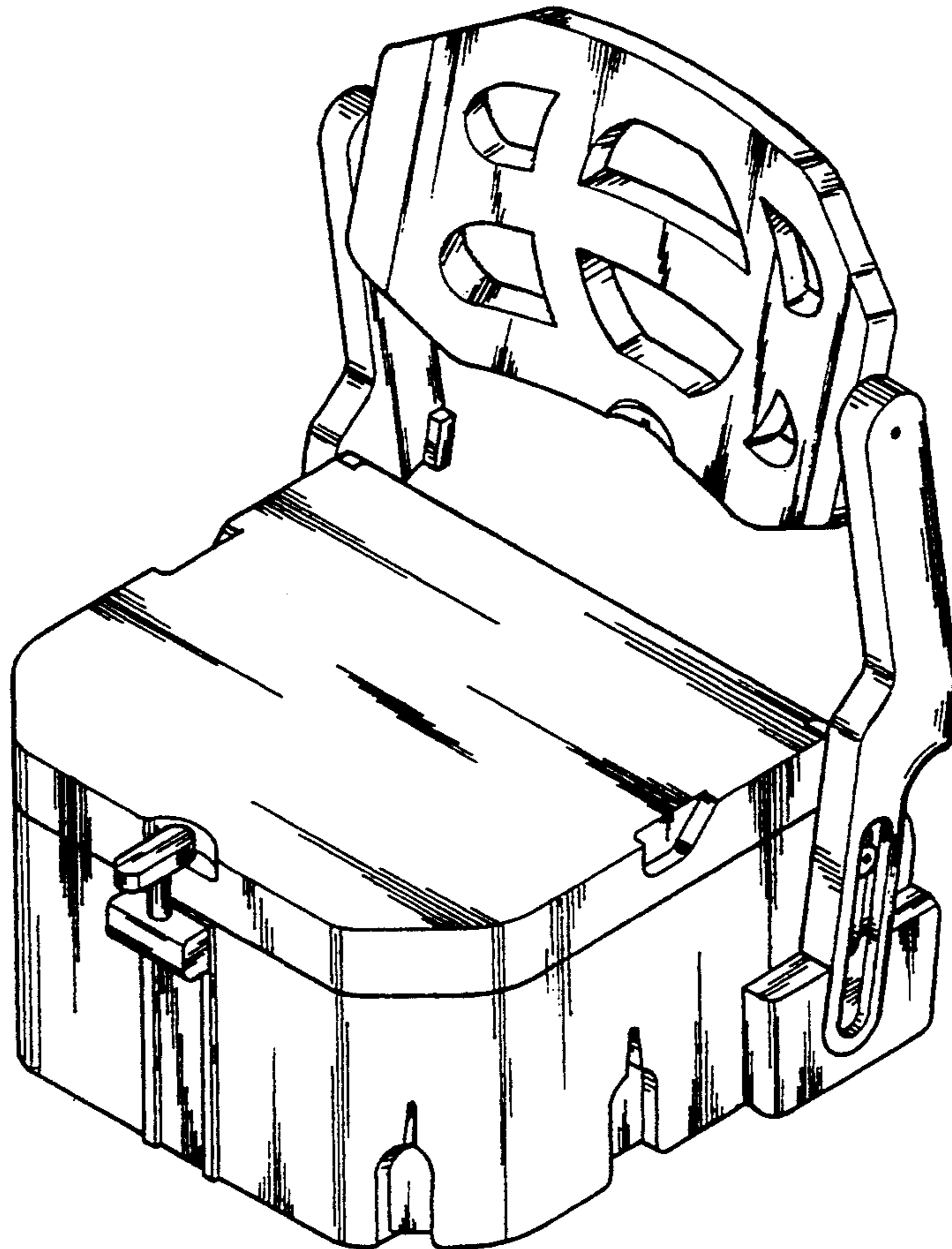
FIG. 9 is a cross-sectional view of FIG. 8 taken along the section line 1—1;

FIG. 10 is a front view of FIG. 8;

FIG. 11 is a rear view of FIG. 8;

FIG. 12 is a top plan view of FIG. 8; and,

FIG. 13 is a side view of FIG. 8.



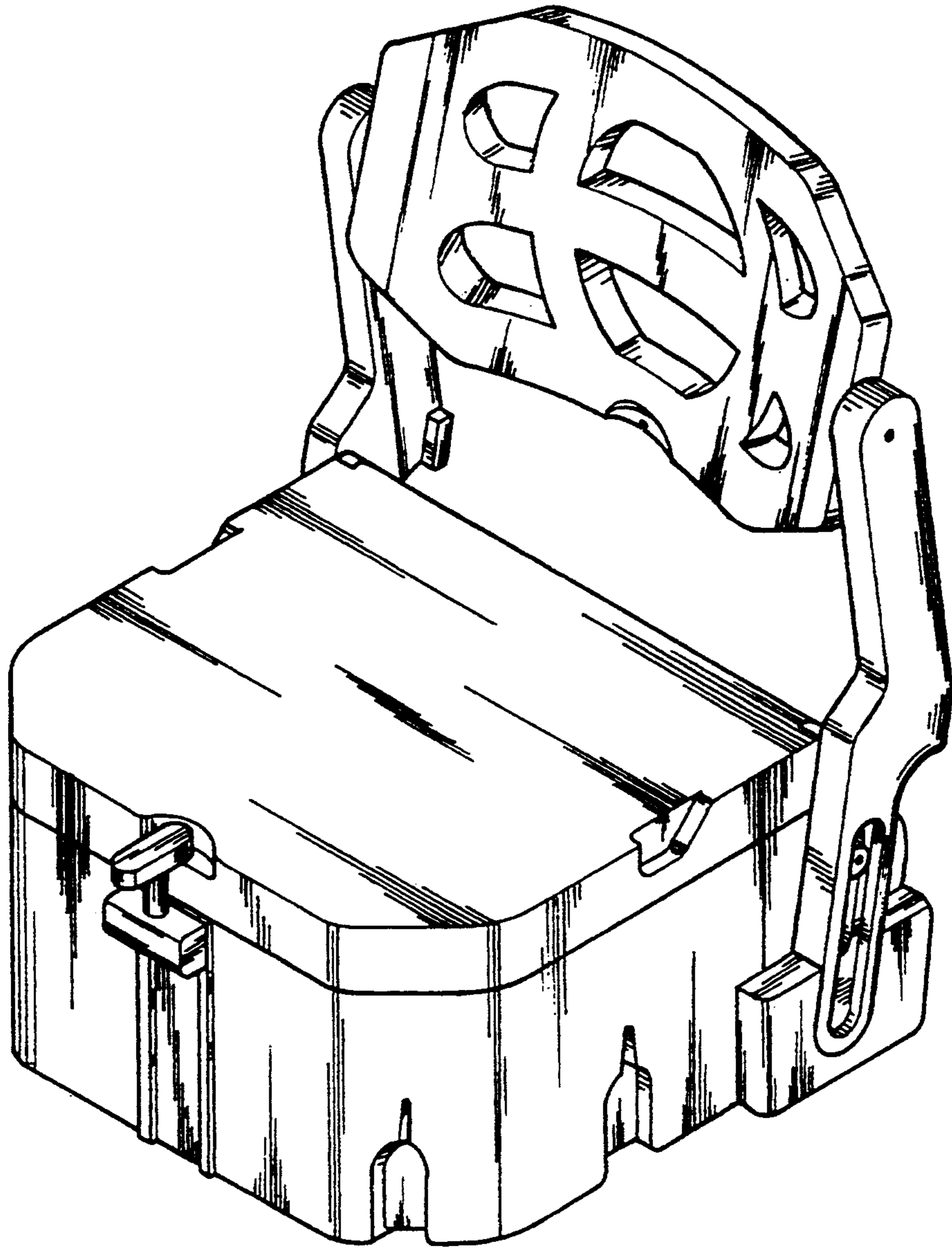


FIG. 1

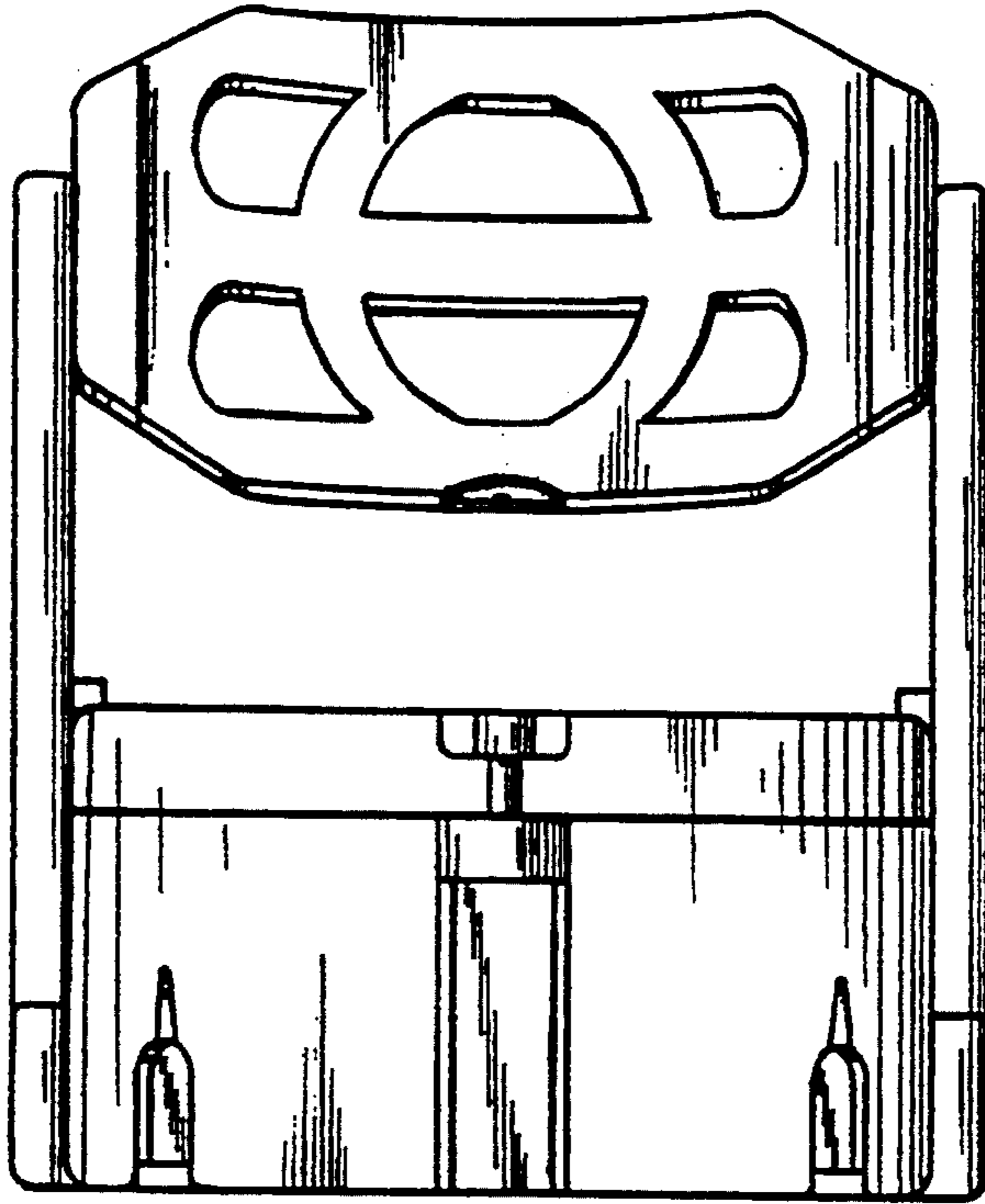


FIG. 2

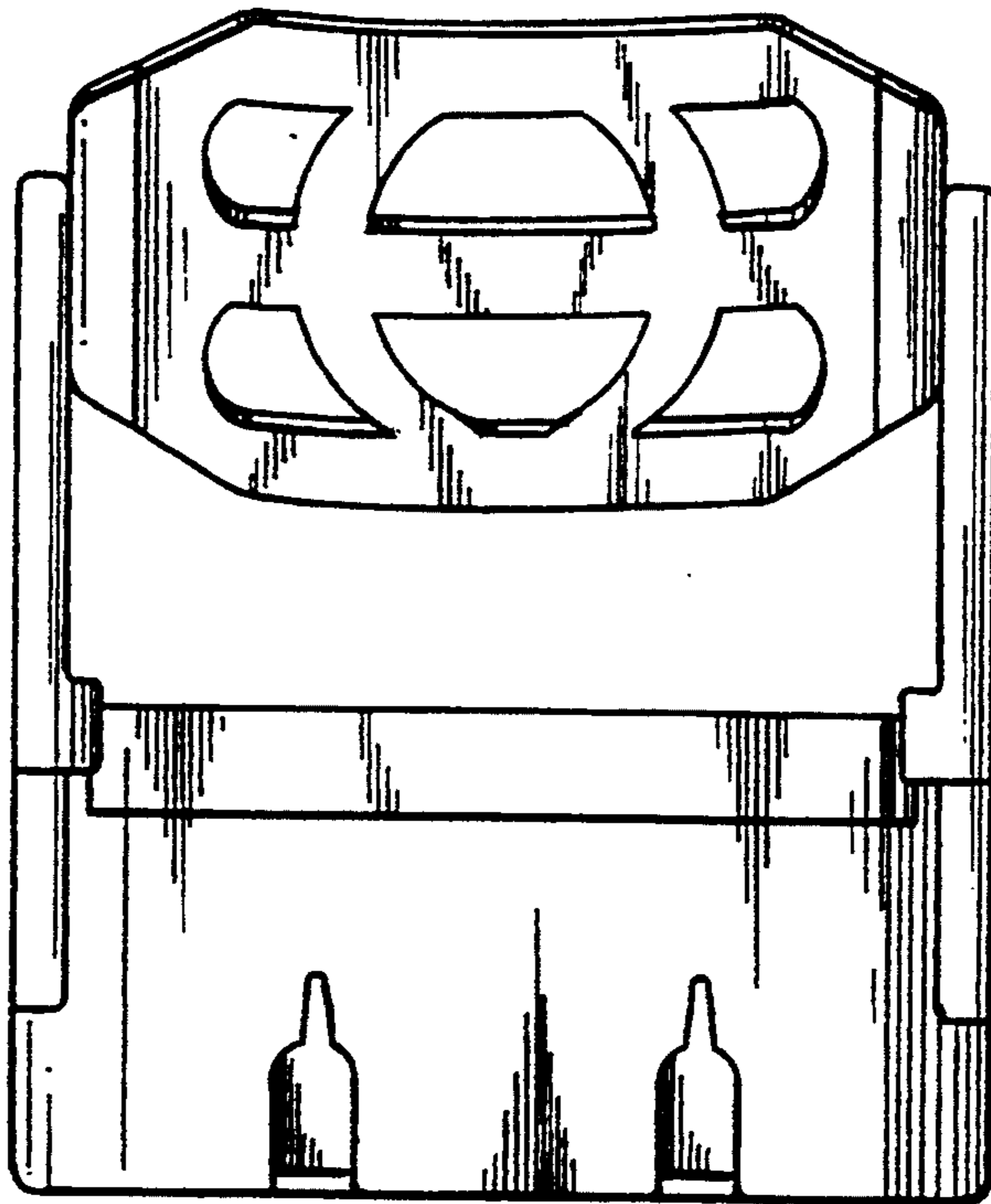


FIG. 3

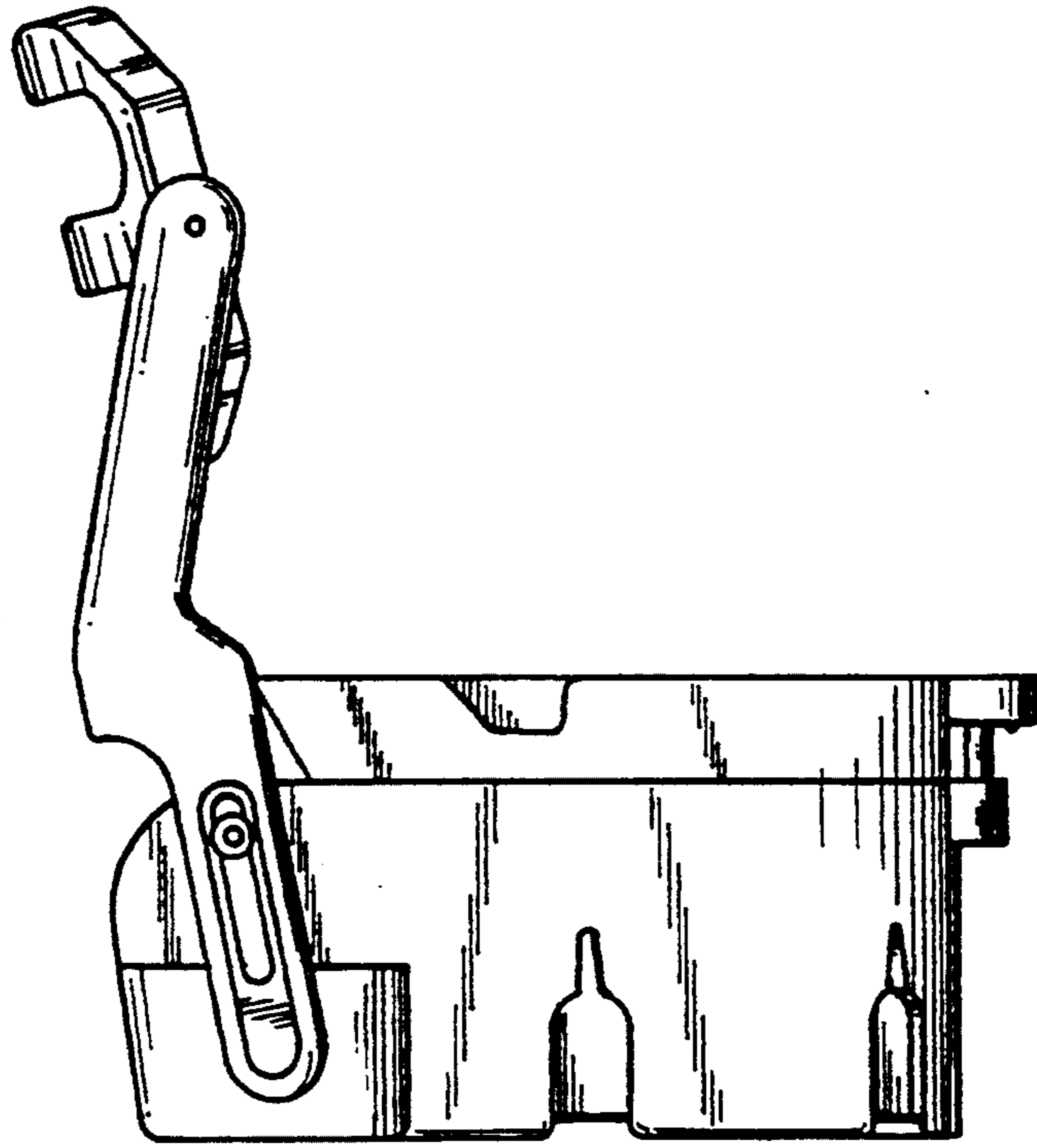


FIG. 4

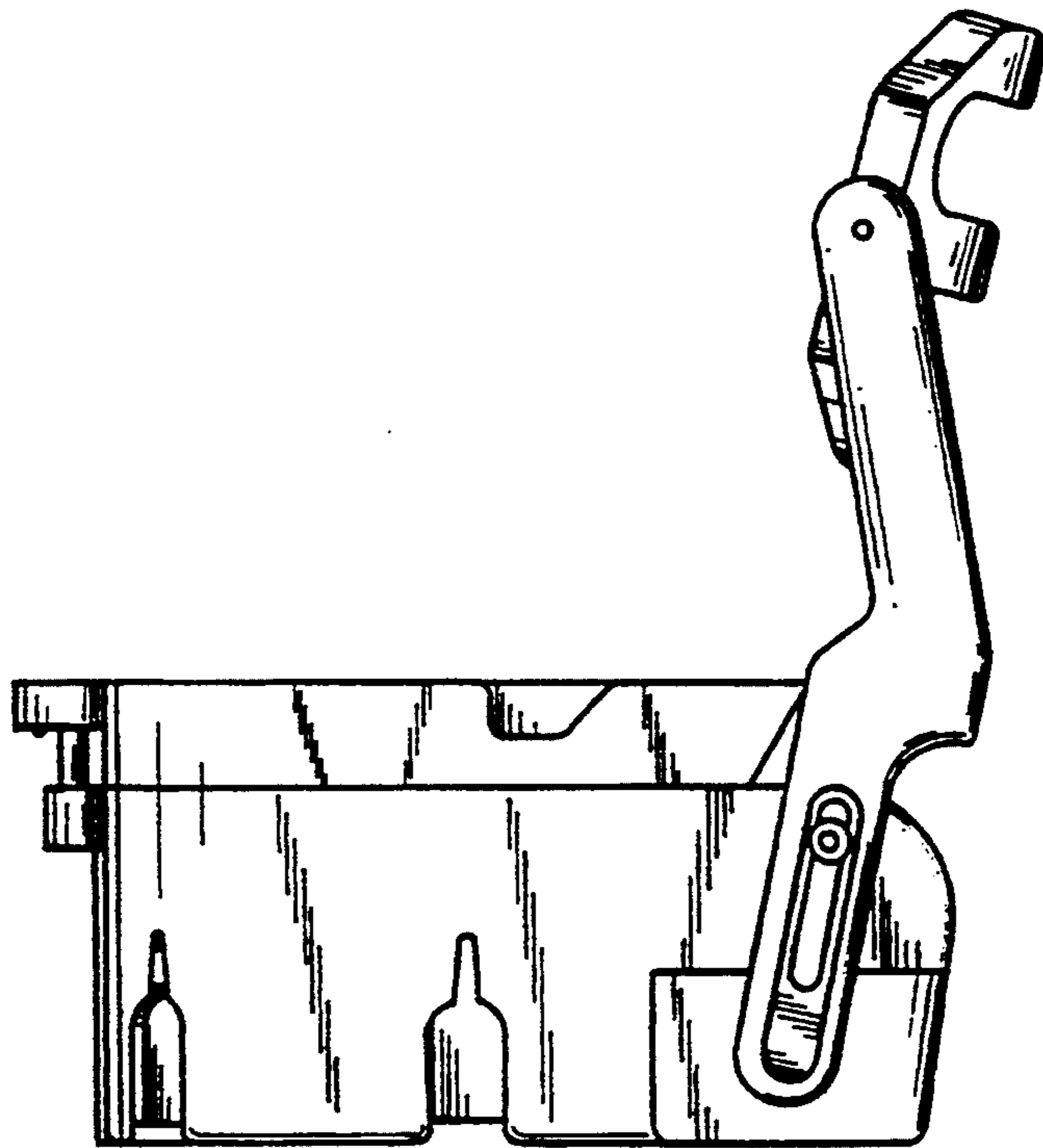


FIG. 5

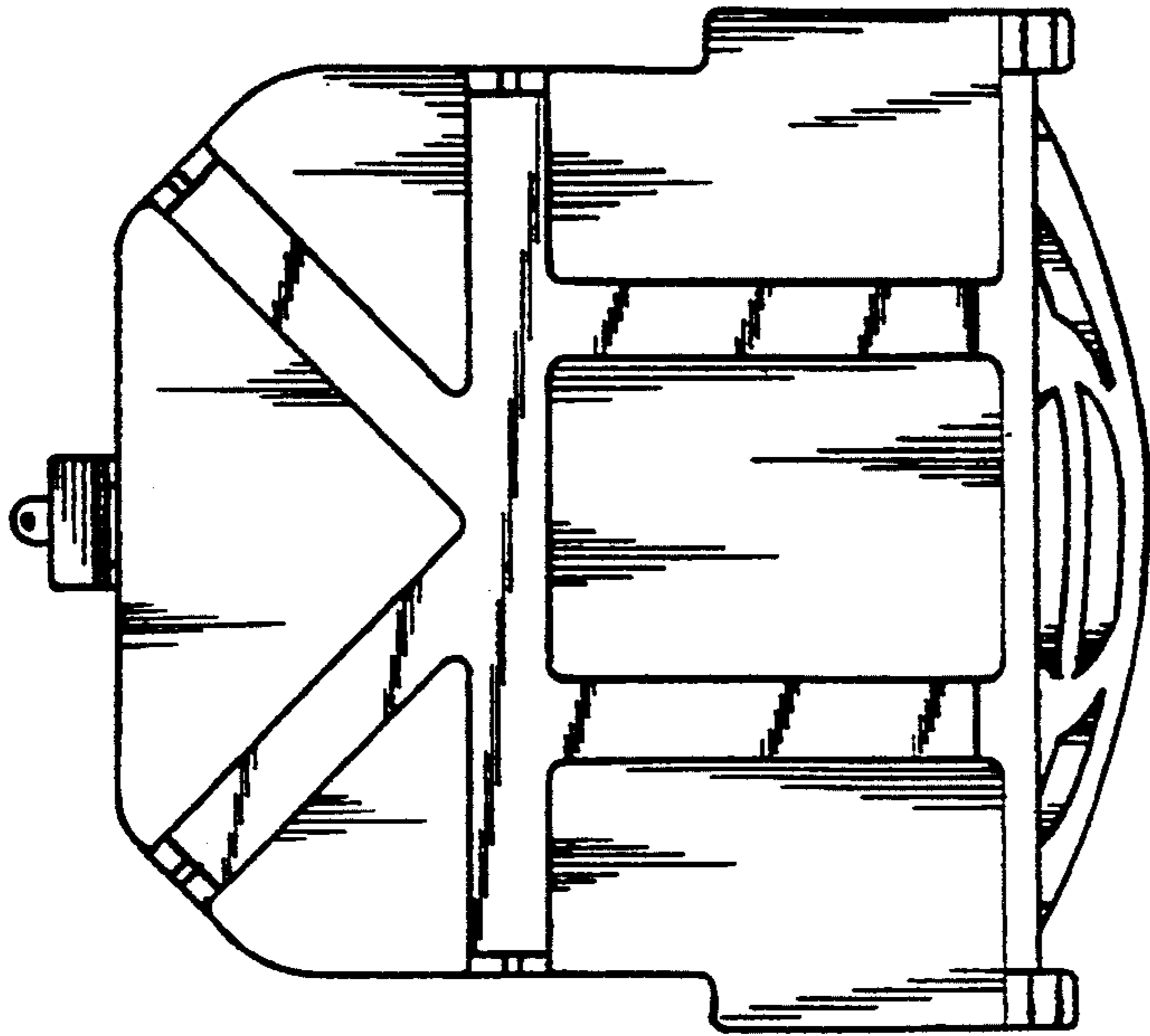


FIG. 7

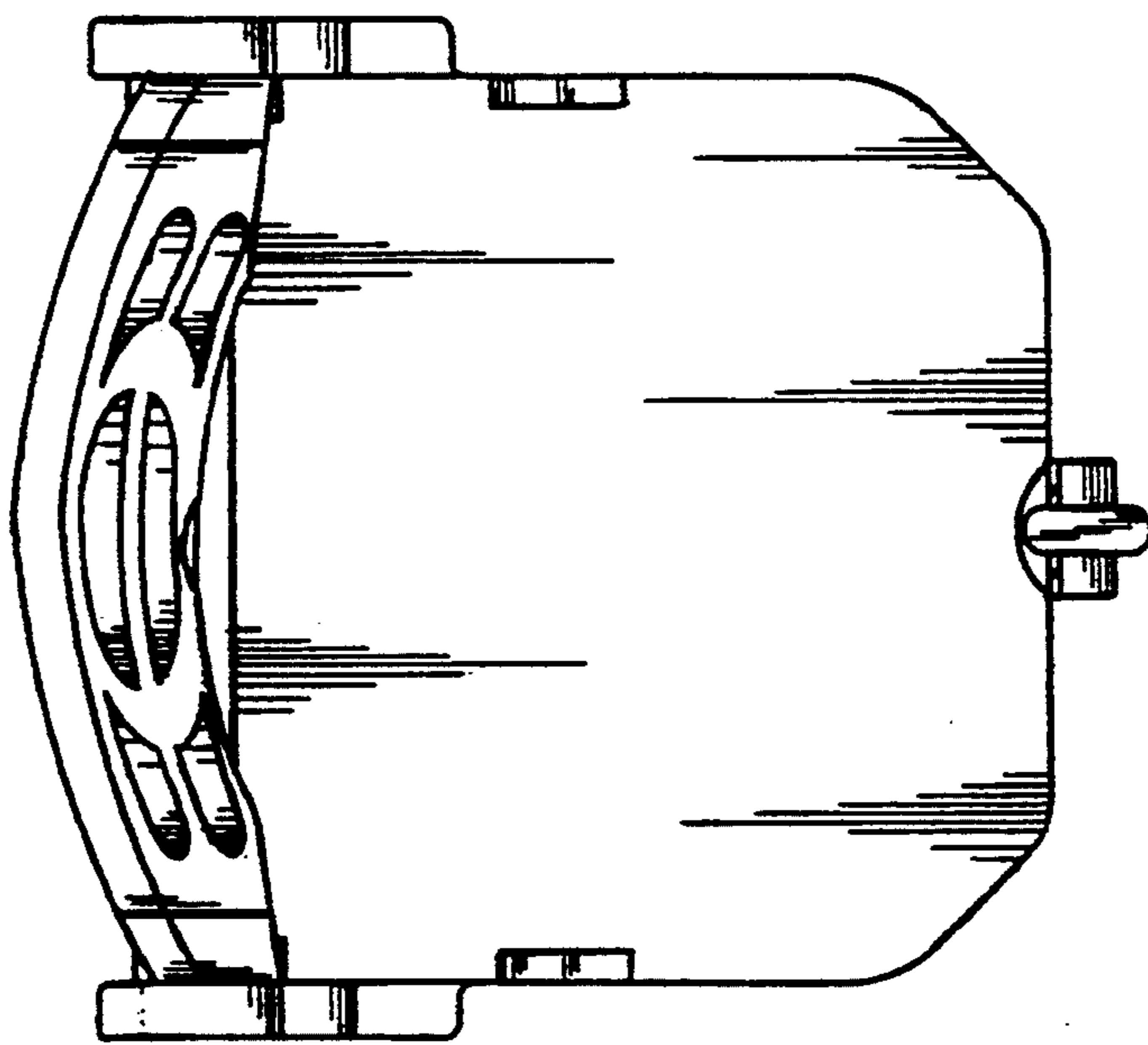


FIG. 6

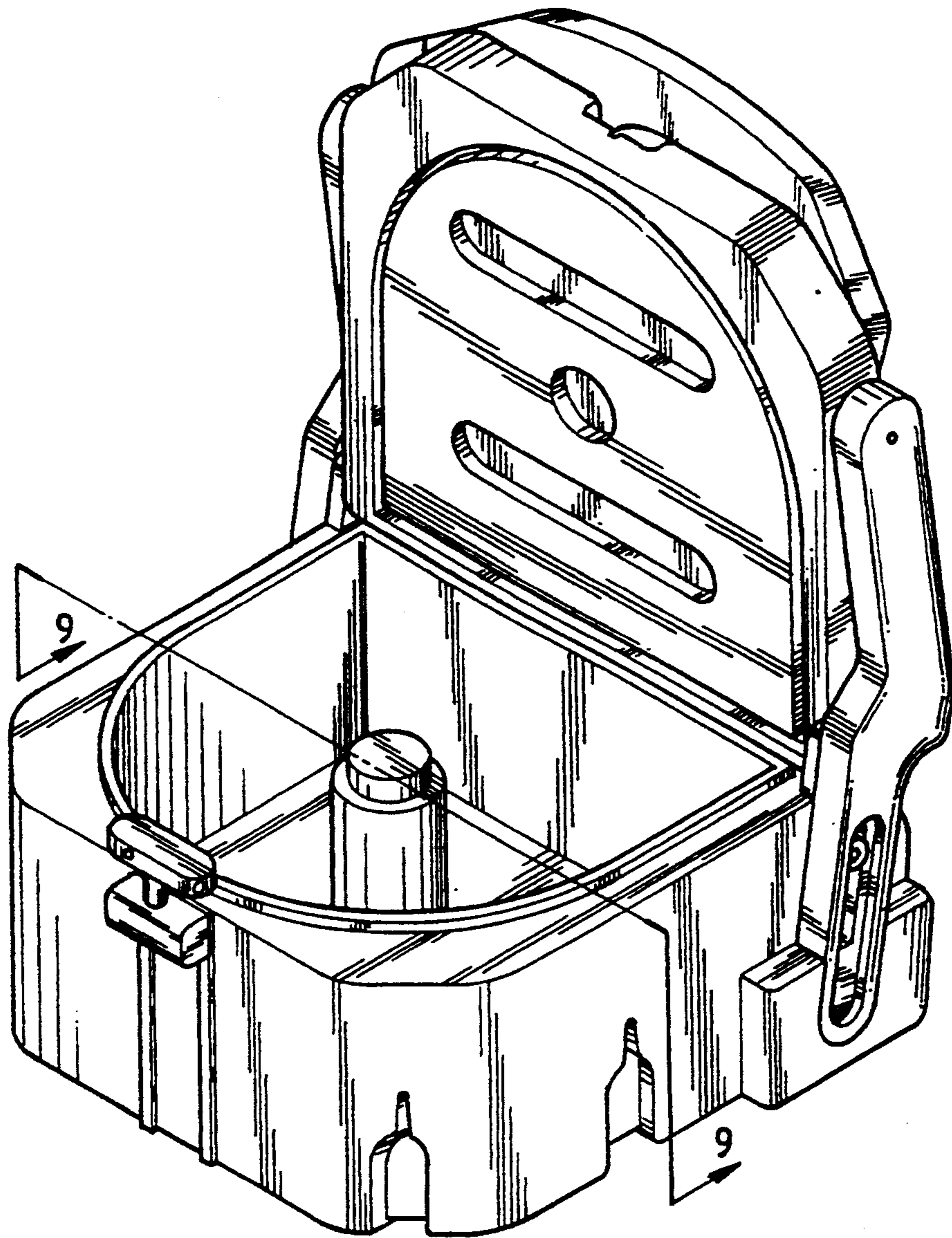
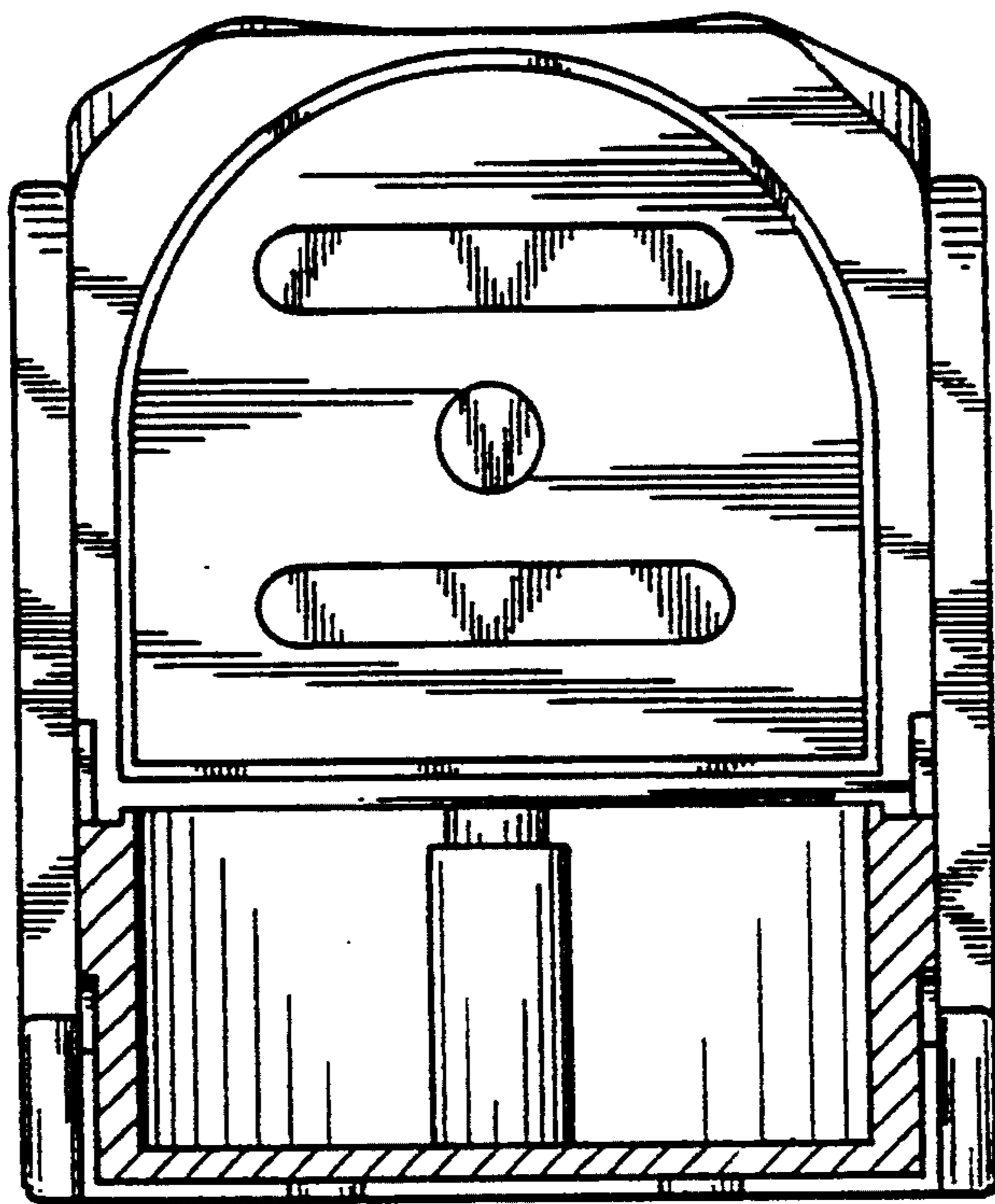


FIG. 8



F I G . 9

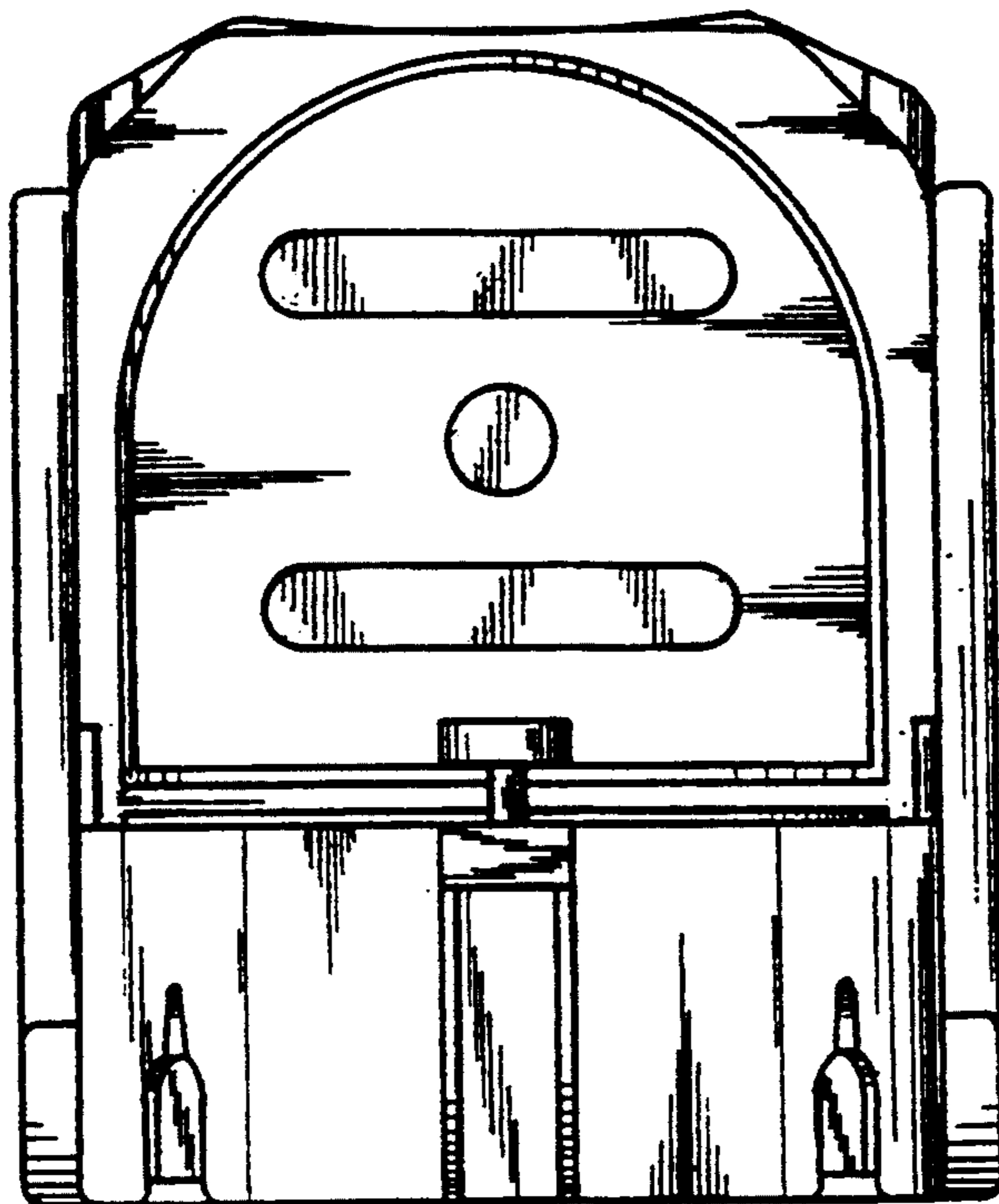


FIG. 10

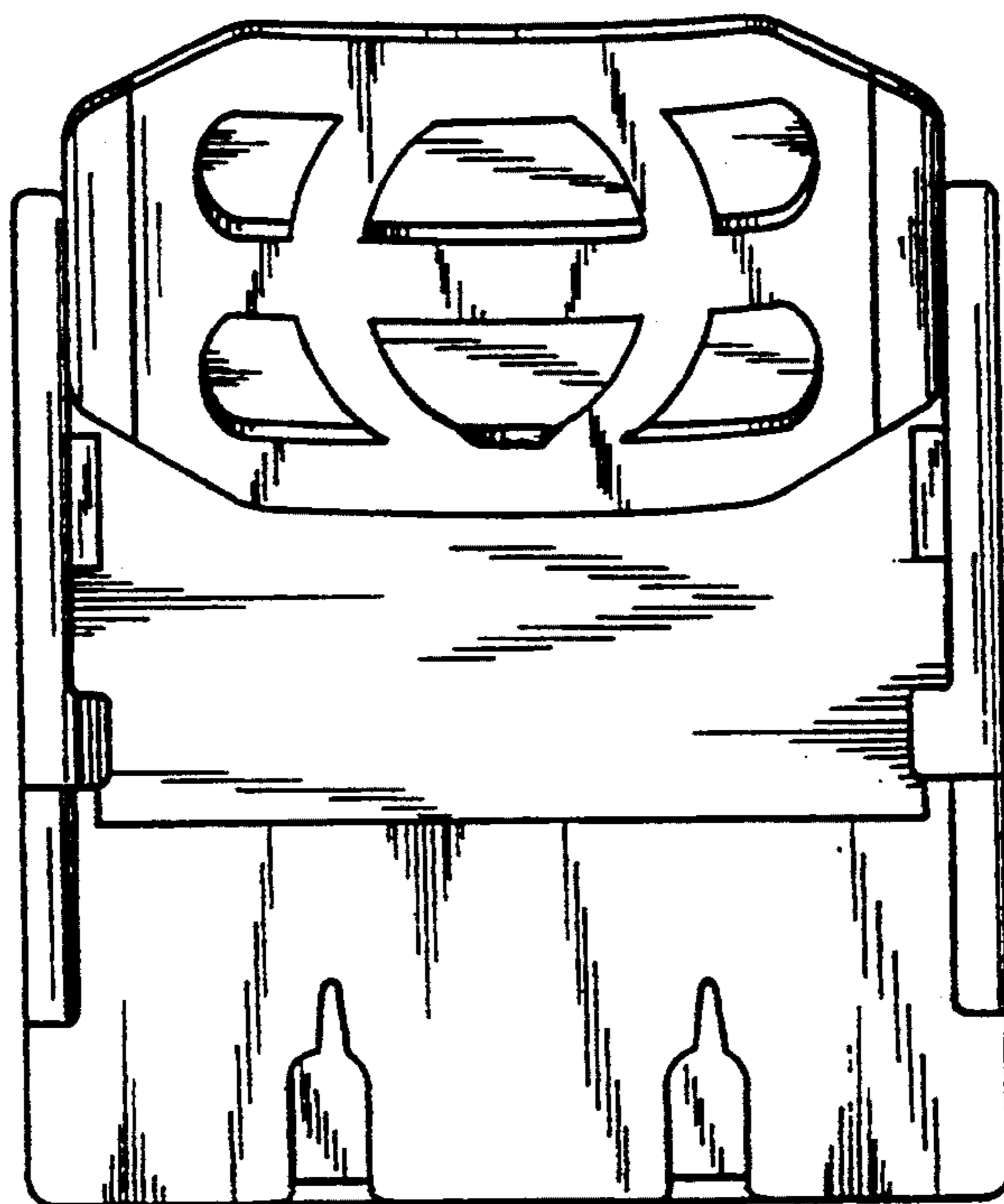
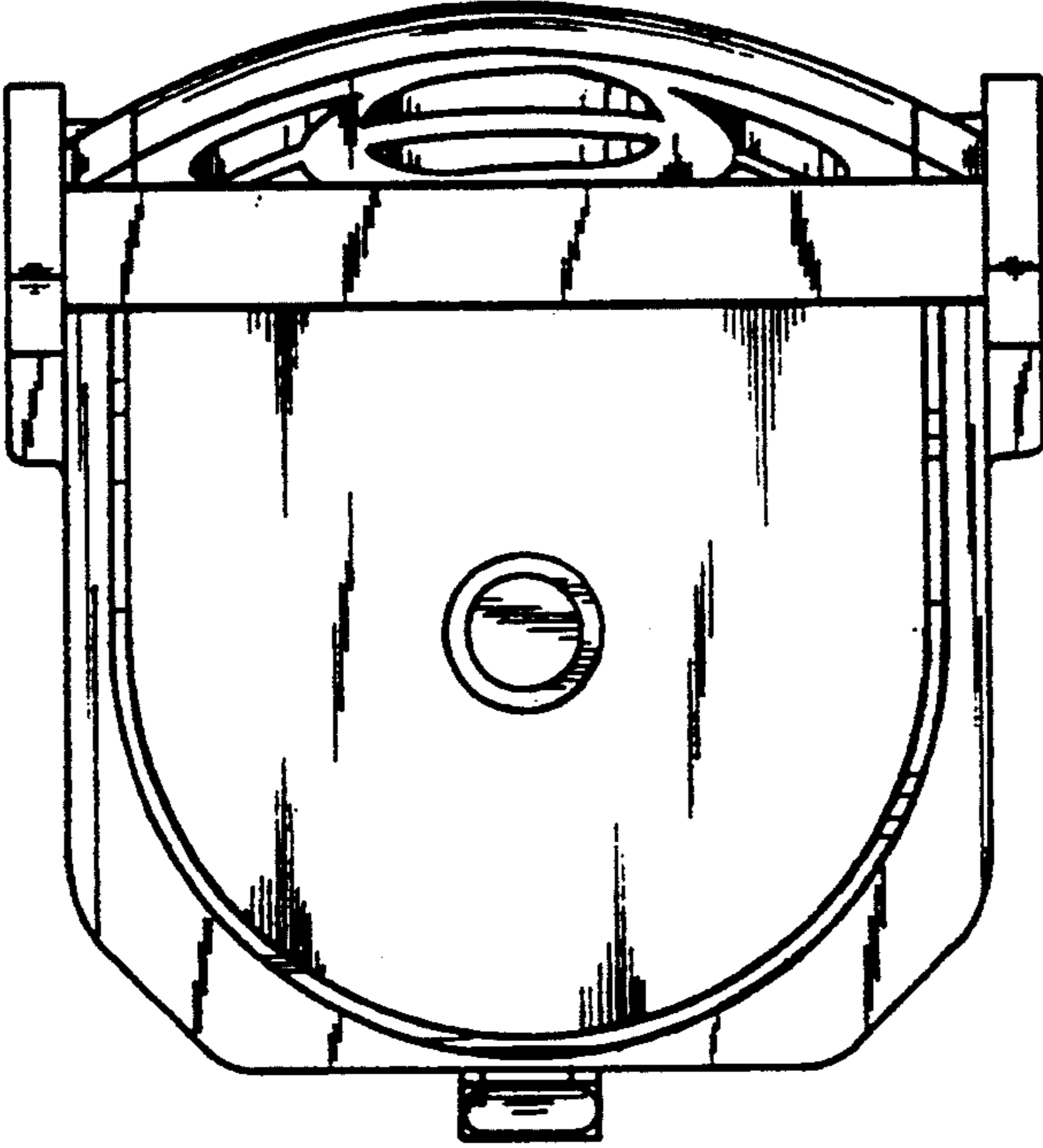
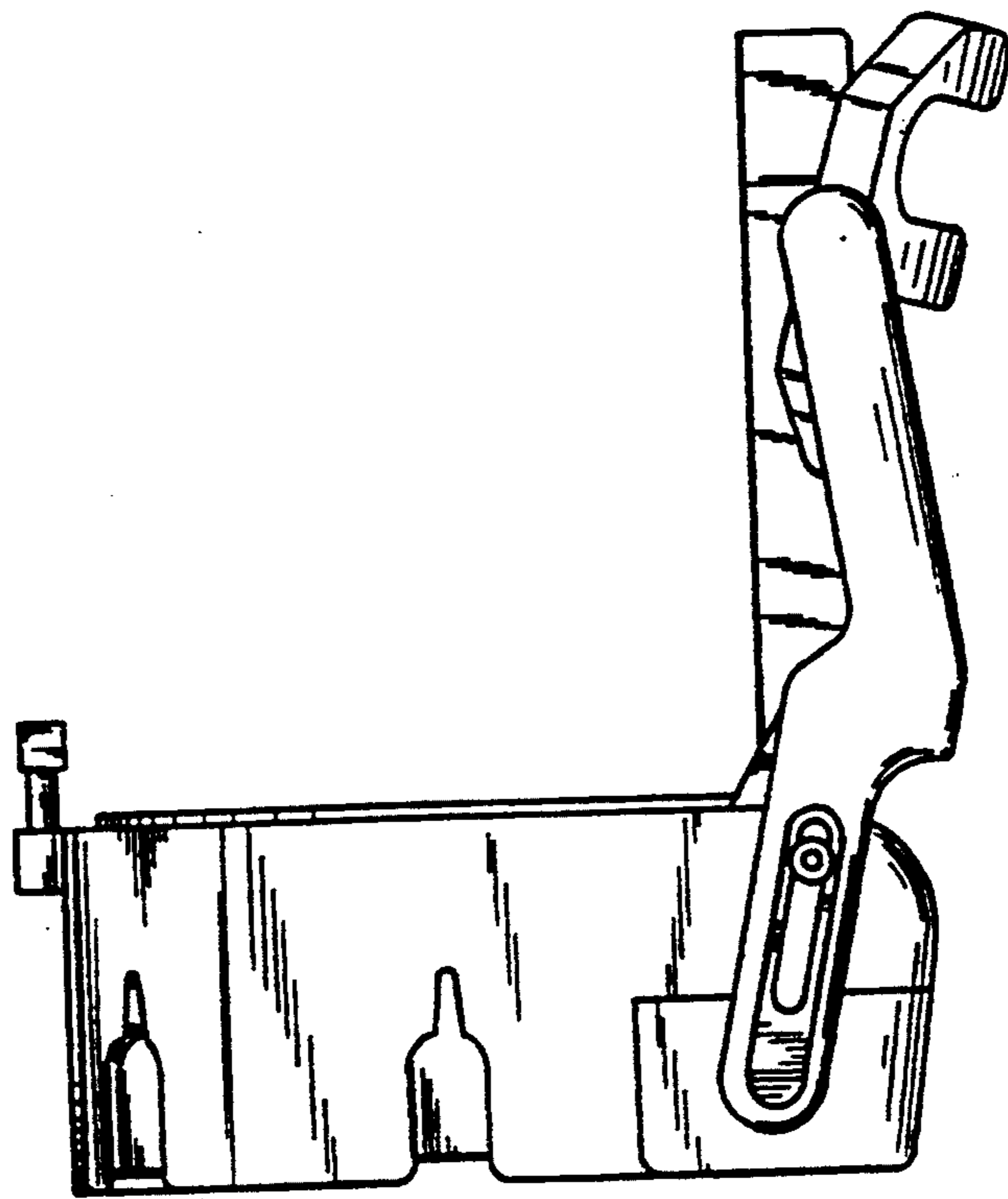


FIG. 11



F I G . 12



F I G . 1 3