



US00D356245S

# United States Patent [19]

[11] Patent Number: **Des. 356,245**

**Merritt**

[45] Date of Patent: **\*\* Mar. 14, 1995**

[54] **ELASTIC CORD LOCK LOWER MEMBER**

[75] Inventor: **Richard C. Merritt, Barrie, Canada**

[73] Assignee: **Polytech Netting Industries, Inc., Canada**

[\*\*] Term: **14 Years**

[21] Appl. No.: **5,351**

[22] Filed: **Mar. 2, 1993**

[52] U.S. Cl. .... **D8/394**

[58] Field of Search ..... **D8/384, 394, 396; 24/115 A, 115 G, 115 H, 115 K, 115 R, 132 WL**

4,379,358	4/1983	Wibrow .....	24/136
4,426,754	1/1984	Smith et al. ....	24/115 R
4,455,717	6/1984	Gray .....	24/115
4,493,134	1/1985	Karr .....	24/132
4,635,698	1/1987	Anderson .....	160/178
4,974,549	12/1990	Gordon .....	24/115 K
4,999,887	3/1991	Kraus .....	24/662
5,029,371	7/1991	Rosenblood et al. ....	24/712.9
5,208,950	5/1993	Merritt .....	24/115 H

*Primary Examiner*—Terry A. Wallace  
*Assistant Examiner*—Nanda Bondade  
*Attorney, Agent, or Firm*—Basile and Hanlon

### [57] CLAIM

The ornamental design for an elastic cord lock lower member, as shown and described.

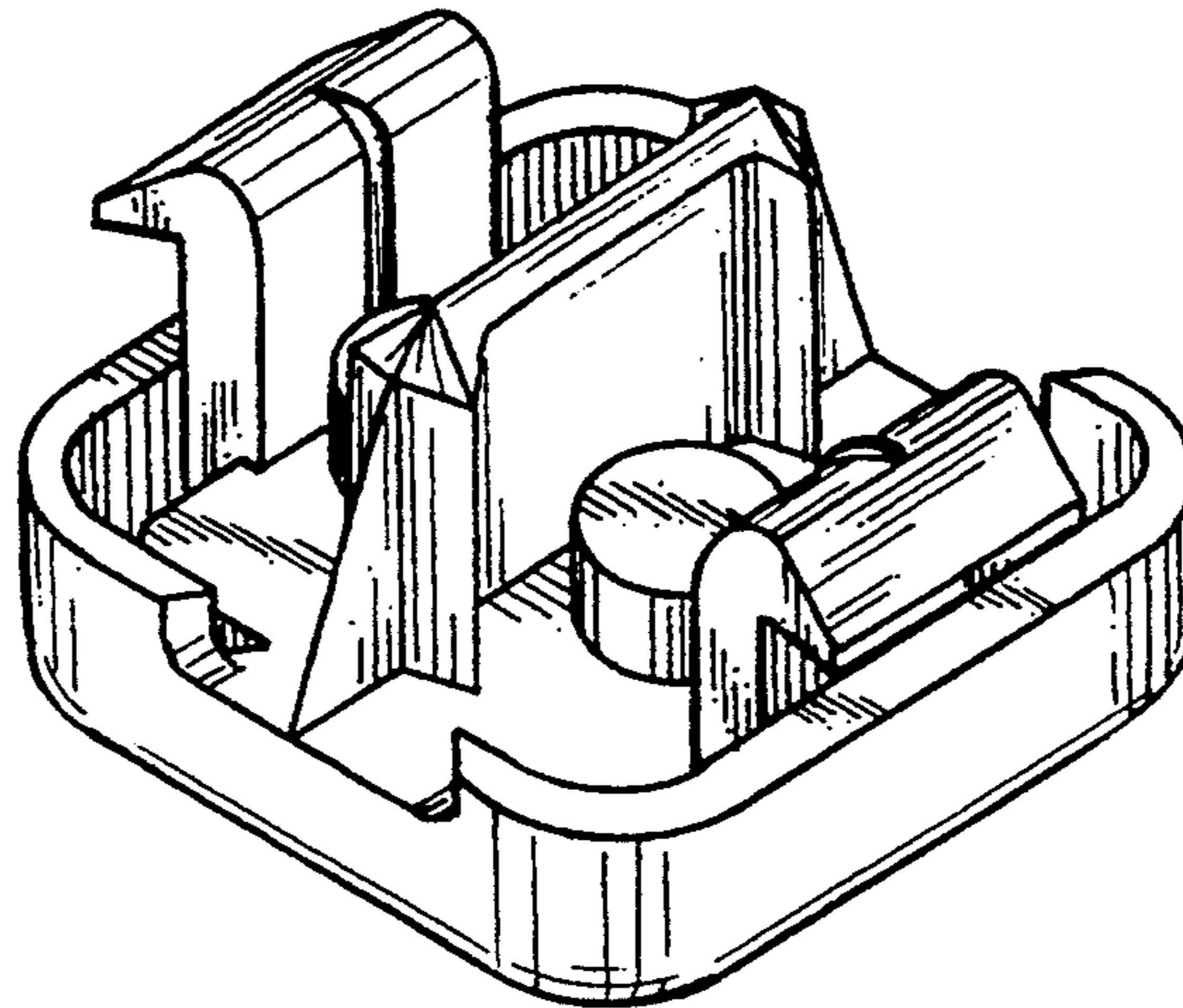
### DESCRIPTION

FIG. 1 is a top plan view of an elastic cord lock lower member showing my new design;  
FIG. 2 is a bottom plan view thereof;  
FIG. 3 is a front elevational view thereof, which is identical to the rear view;  
FIG. 4 is a right side elevational view thereof, which is identical to the left side elevational view; and,  
FIG. 5 is a perspective view thereof.

### [56] References Cited

#### U.S. PATENT DOCUMENTS

189,274	4/1877	Smith .	
1,379,093	5/1921	Freeburg .....	27/115 G
2,740,654	4/1956	Orschel .....	292/323
3,174,787	3/1965	Kolman .....	292/288
3,470,570	10/1969	Christiansen .....	2/338
3,897,161	7/1975	Reinwall, Jr. ....	403/211
4,049,357	9/1977	Hamisch, Jr. ....	403/209
4,156,574	5/1979	Boden .....	403/211



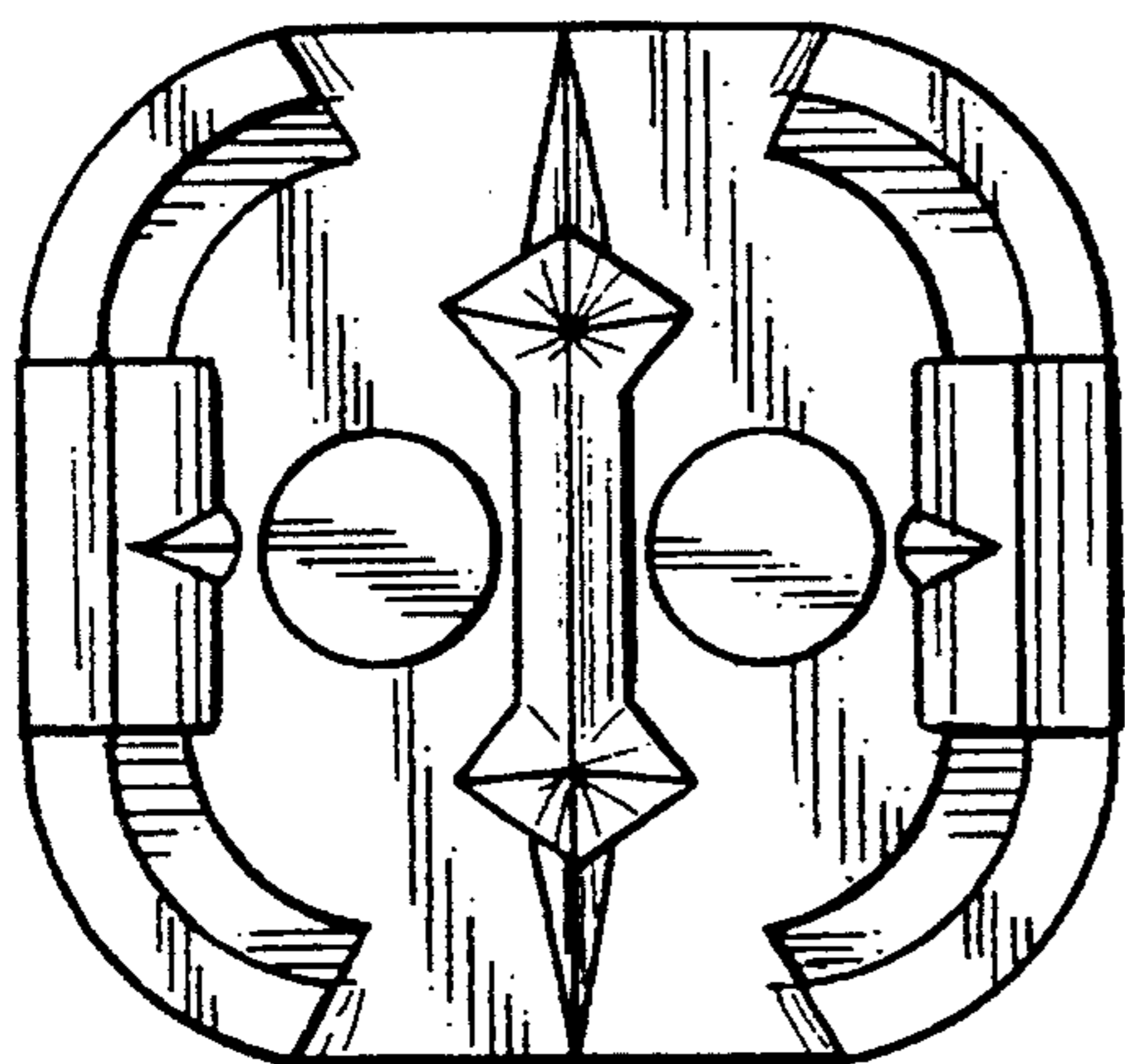


FIG - 1

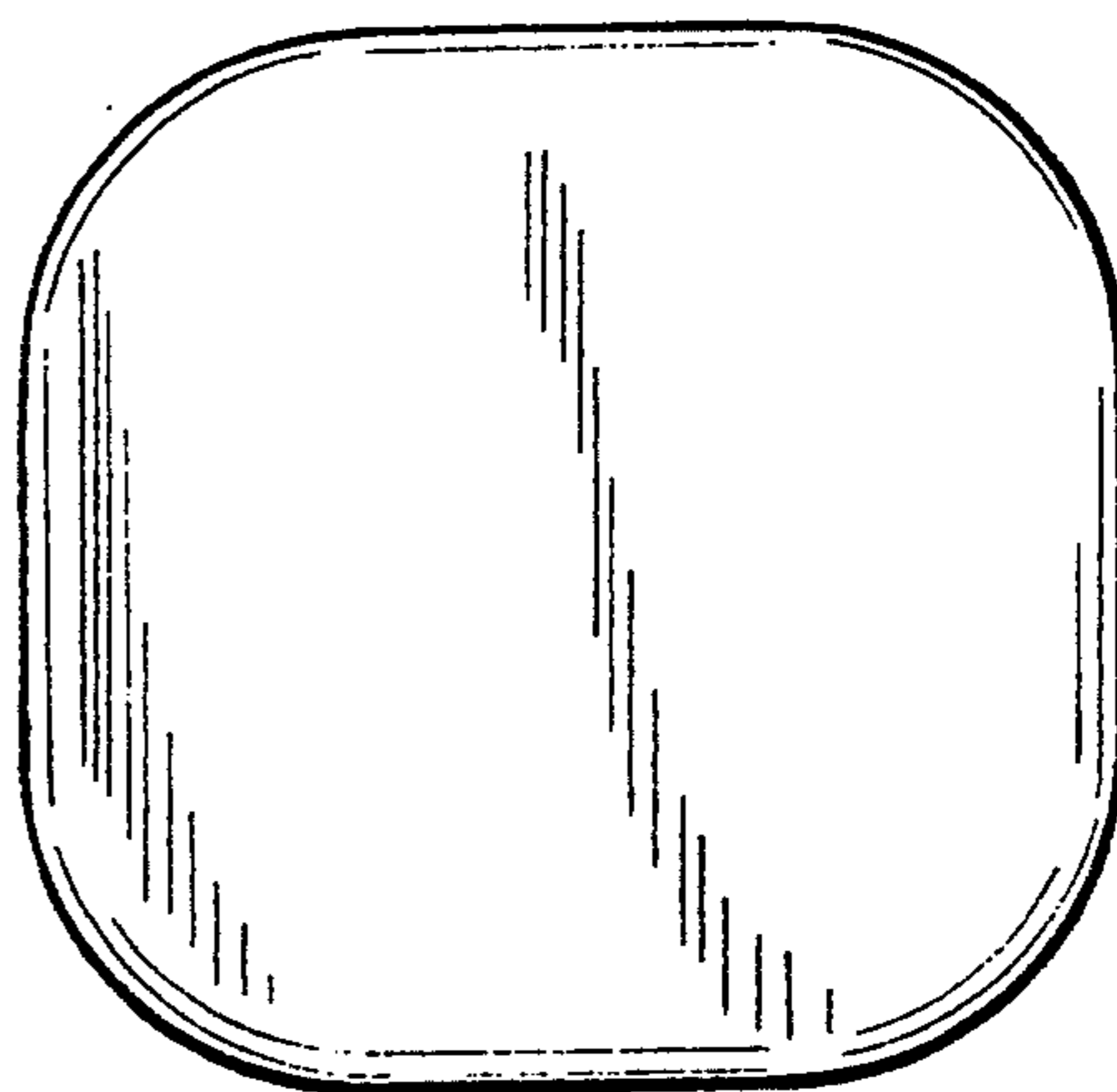


FIG - 2

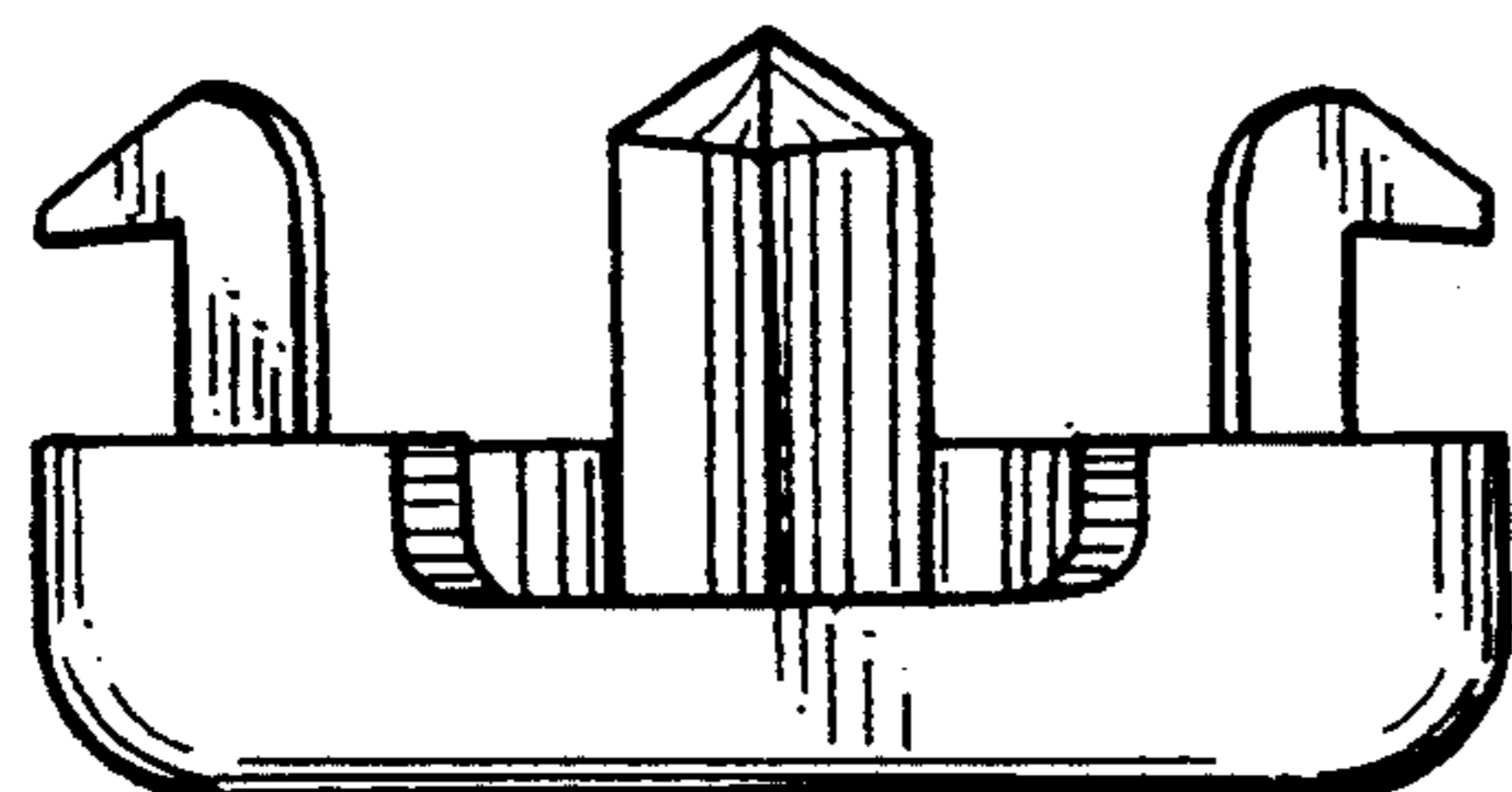


FIG - 3

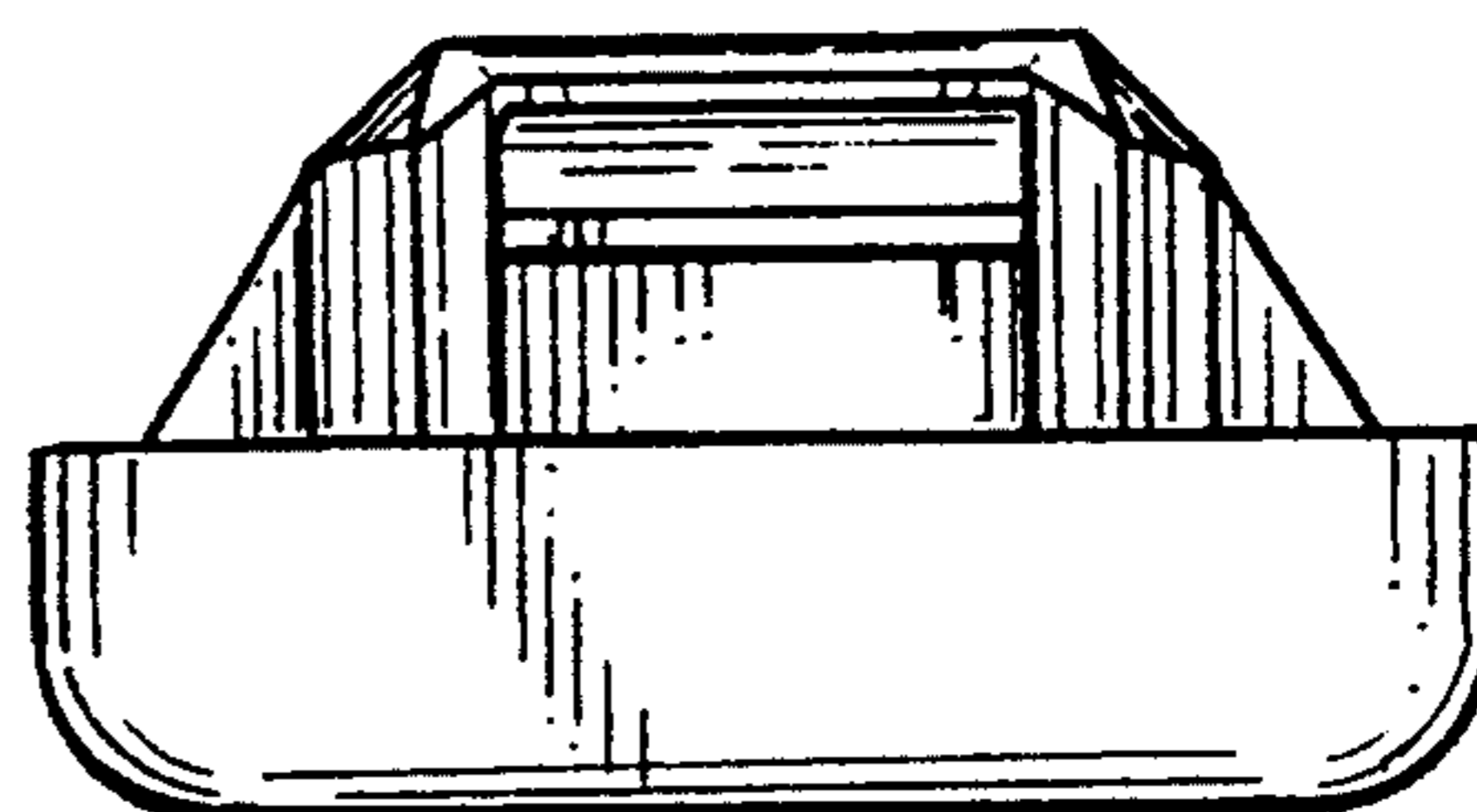


FIG - 4

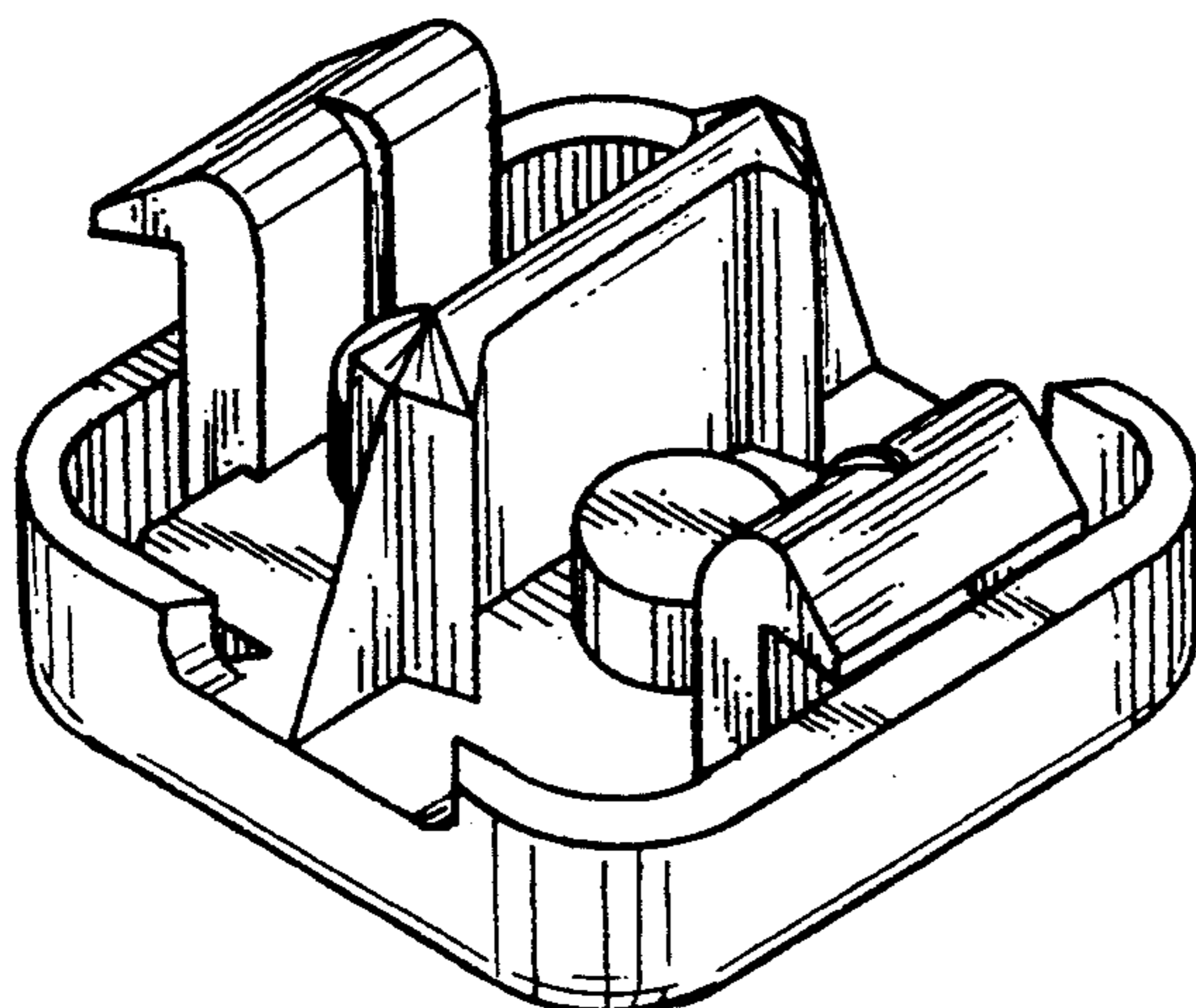


FIG - 5