



US00D356243S

# United States Patent [19]

Eckerman

[11] Patent Number: **Des. 356,243**

[45] Date of Patent: **\*\* Mar. 14, 1995**

[54] **POLE HANGER**

[76] Inventor: **Arthur Eckerman**, 399 W. Bagley Rd.  
#116, Berea, Ohio 44017

[\*\*] Term: **14 Years**

[21] Appl. No.: **6,814**

[22] Filed: **Apr. 7, 1993**

[52] U.S. Cl. .... **D8/373**

[58] Field of Search ..... **D8/356, 373, 380, 349;**  
**248/309.1; 24/130, 129 D, 129 A, 129 R**

[56] **References Cited**

**U.S. PATENT DOCUMENTS**

- D. 312,205 11/1990 de Rooij ..... D8/329
- D. 318,010 7/1991 Clinkscales ..... D8/373

- 2,503,327 4/1950 Fields ..... 24/130
- 4,275,776 6/1981 Rehkopf ..... D8/349 X
- 5,195,218 3/1993 Joseph et al. .... D8/356 X

*Primary Examiner*—Wallace R. Burke

*Assistant Examiner*—H. Baynham

[57] **CLAIM**

The ornamental design for pole hanger, as shown.

**DESCRIPTION**

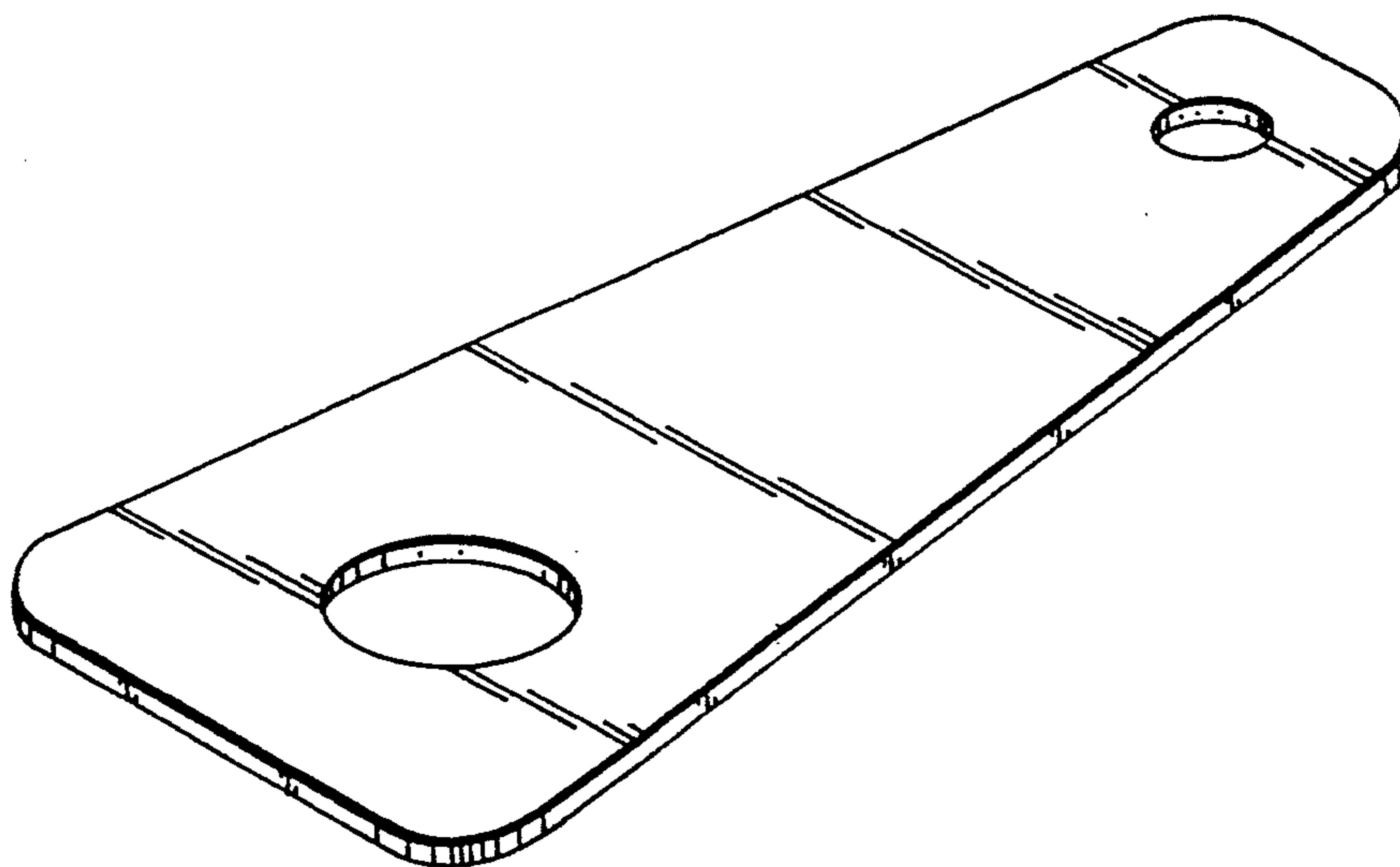
FIG. 1 is a perspective view of the pole hanger of my invention;

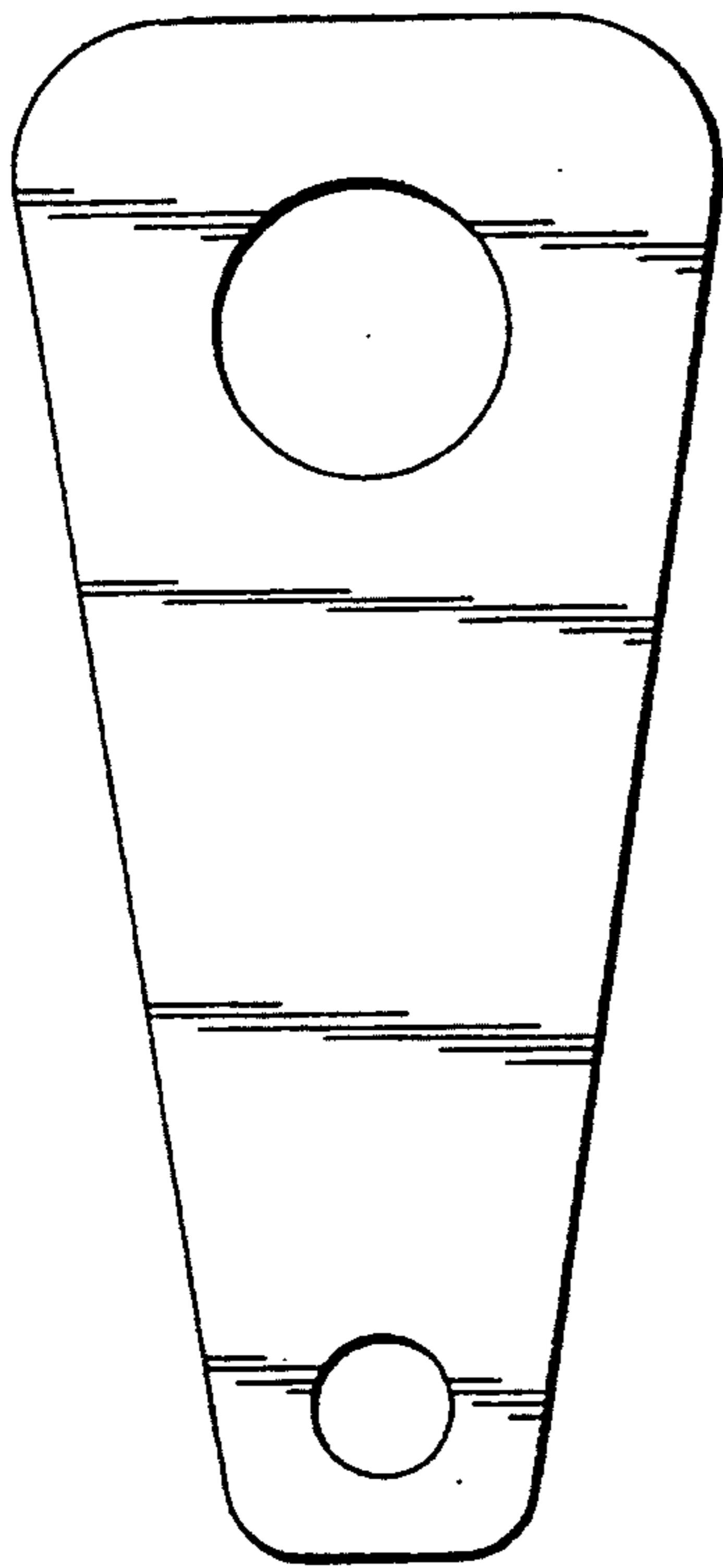
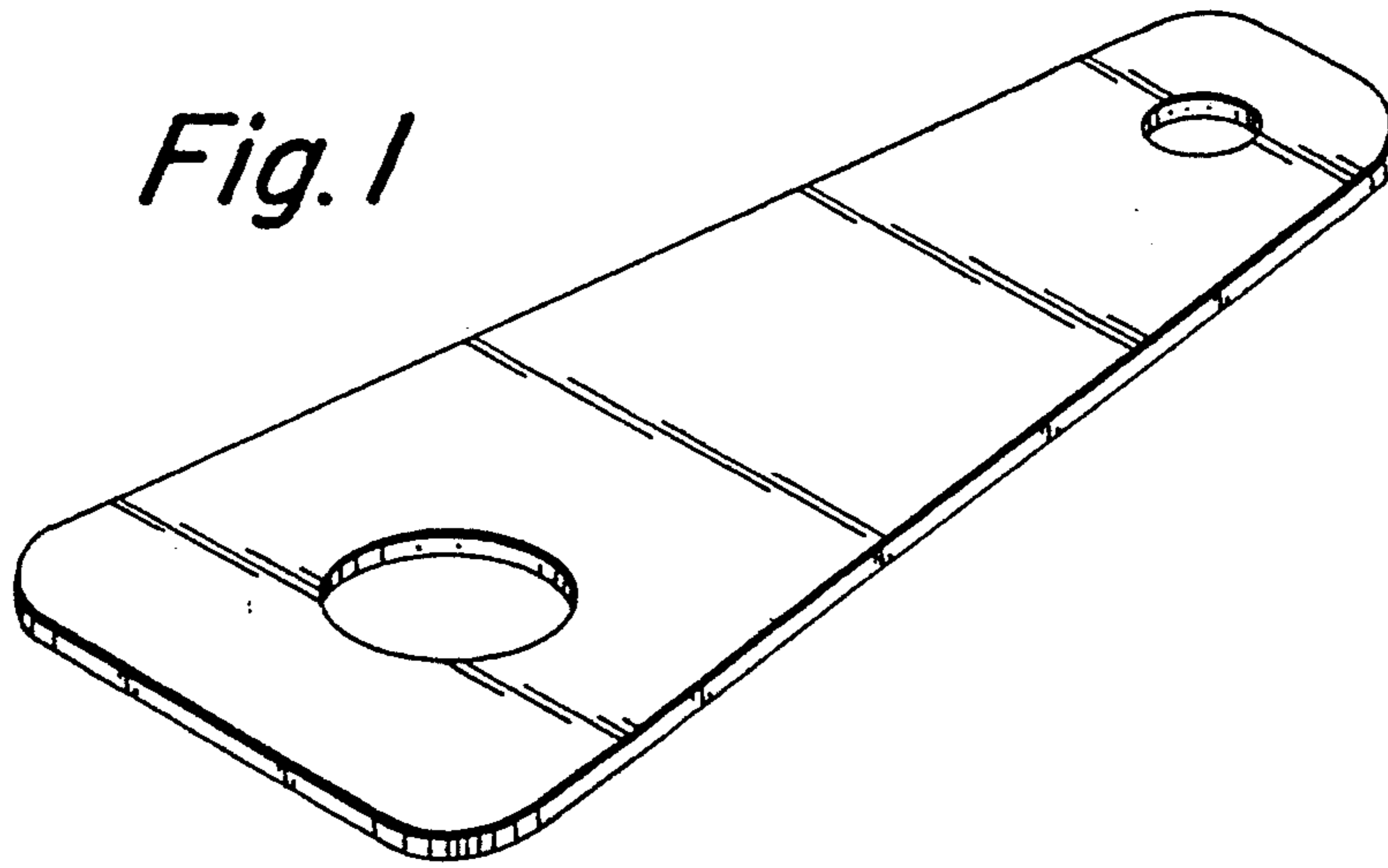
FIG. 2 is a top plan view thereof with the bottom plan view being a mirror image thereof;

FIG. 3 is a side elevational view thereof;

FIG. 4 is a front elevational view thereof; and,

FIG. 5 is a rear elevational view thereof.

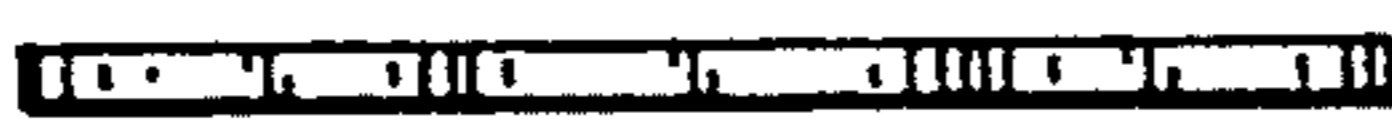




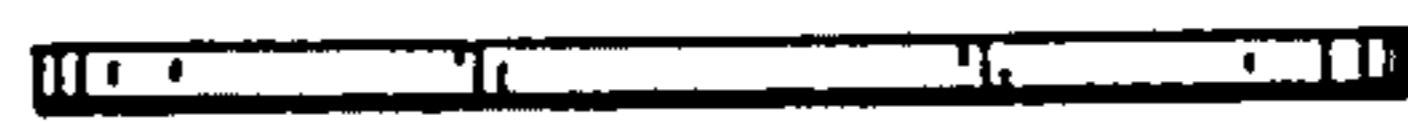
*Fig. 2*



*Fig. 3*



*Fig. 4*



*Fig. 5*