



US00D356241S

United States Patent [19]

[11] Patent Number: **Des. 356,241**

Decursu

[45] Date of Patent: **** Mar. 14, 1995**

[54] **ADJUSTABLE LOCKING HANDLE**

[75] Inventor: **Georgio Decursu, Milan, Italy**

[73] Assignee: **Elesa S.p.A., Italy**

[**] Term: **14 Years**

[21] Appl. No.: **11,628**

[22] Filed: **Aug. 10, 1993**

[30] **Foreign Application Priority Data**

Mar. 1, 1993 [WO] WIPO DM/025396

[52] U.S. Cl. **D8/308; D8/302**

[58] Field of Search **D8/300, 301, 308, 302; 16/110 R, 111 R, 124; 74/523; 292/347**

[56] **References Cited**

U.S. PATENT DOCUMENTS

- D. 197,050 12/1963 Orenstein D8/308
- D. 287,458 12/1986 Decursu D8/308

- D. 306,251 2/1990 Kuli D8/308
- 1,411,107 3/1922 Kaimer 292/347
- 3,965,528 6/1976 Kissler 16/110 R

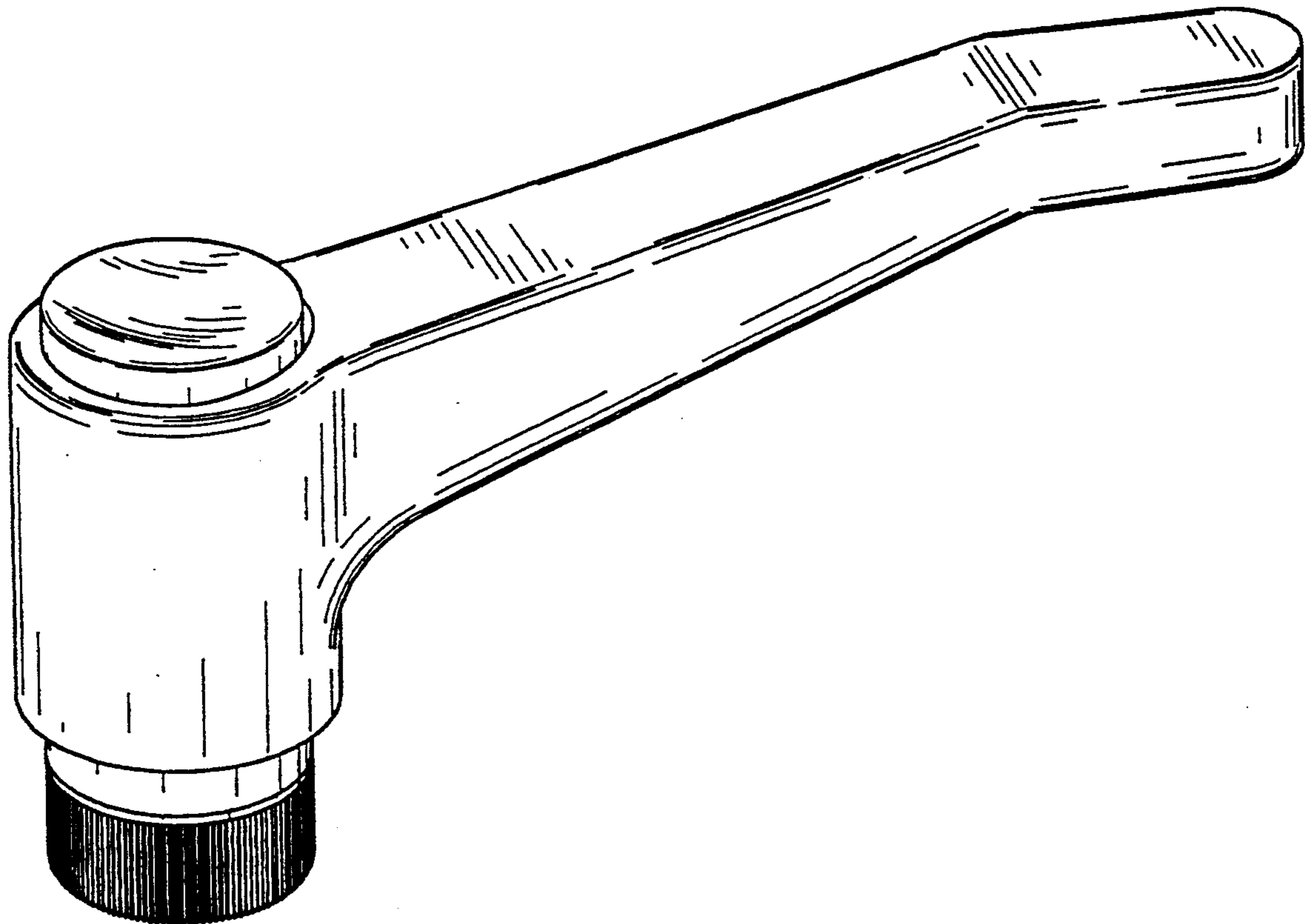
Primary Examiner—B. J. Bullock
Attorney, Agent, or Firm—Pearne, Gordon, McCoy & Granger

[57] **CLAIM**

The ornamental design for an adjustable locking handle, as shown and described.

DESCRIPTION

FIG. 1 is a perspective view of an adjustable locking handle showing my new design; FIG. 2 is a front elevational view thereof, the rear being a mirror image; FIG. 3 is a left side elevational view thereof; FIG. 4 is a right side elevational view thereof; FIG. 5 is a bottom plan view thereof; and, FIG. 6 is a top plan view thereof.



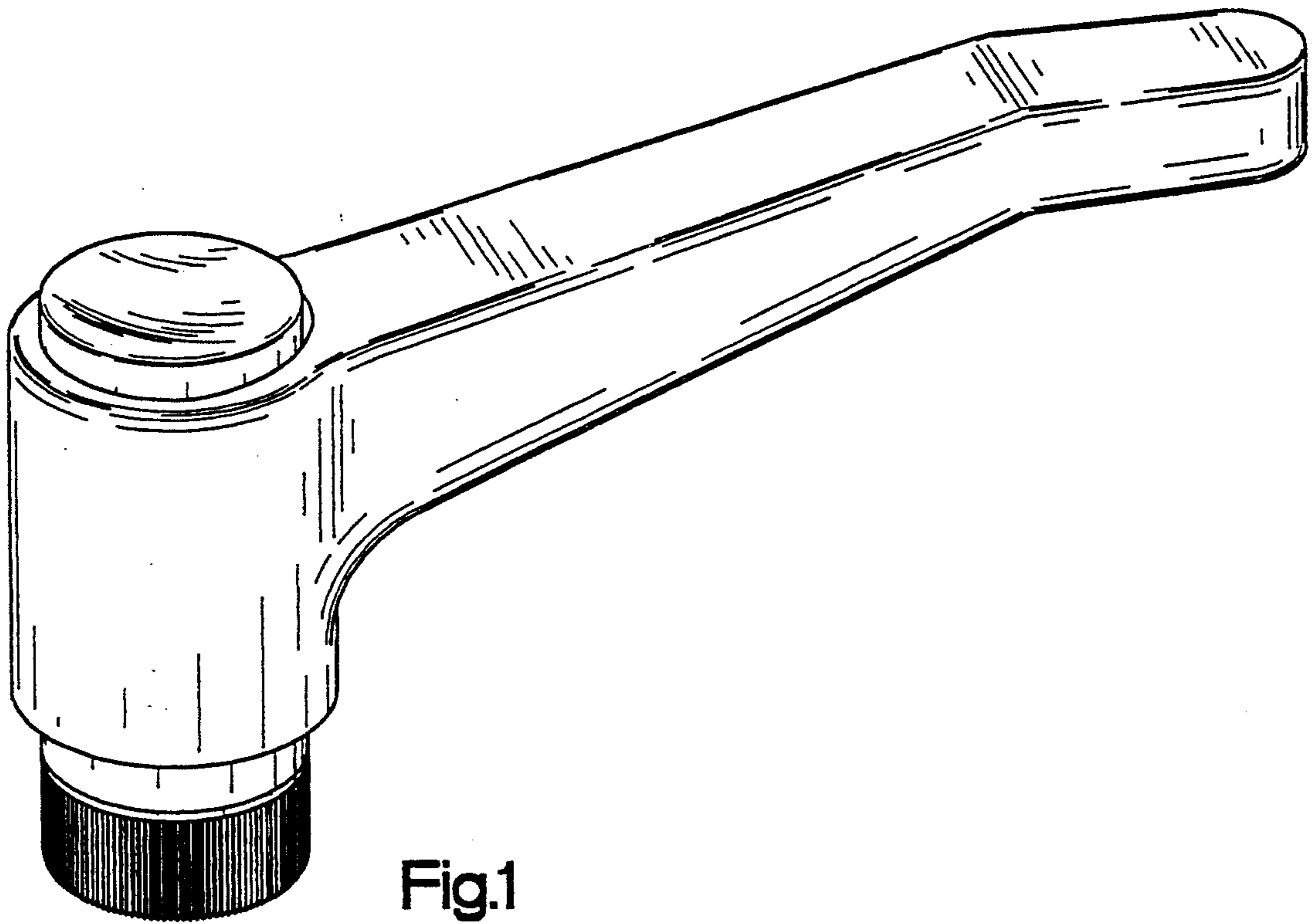


Fig.1

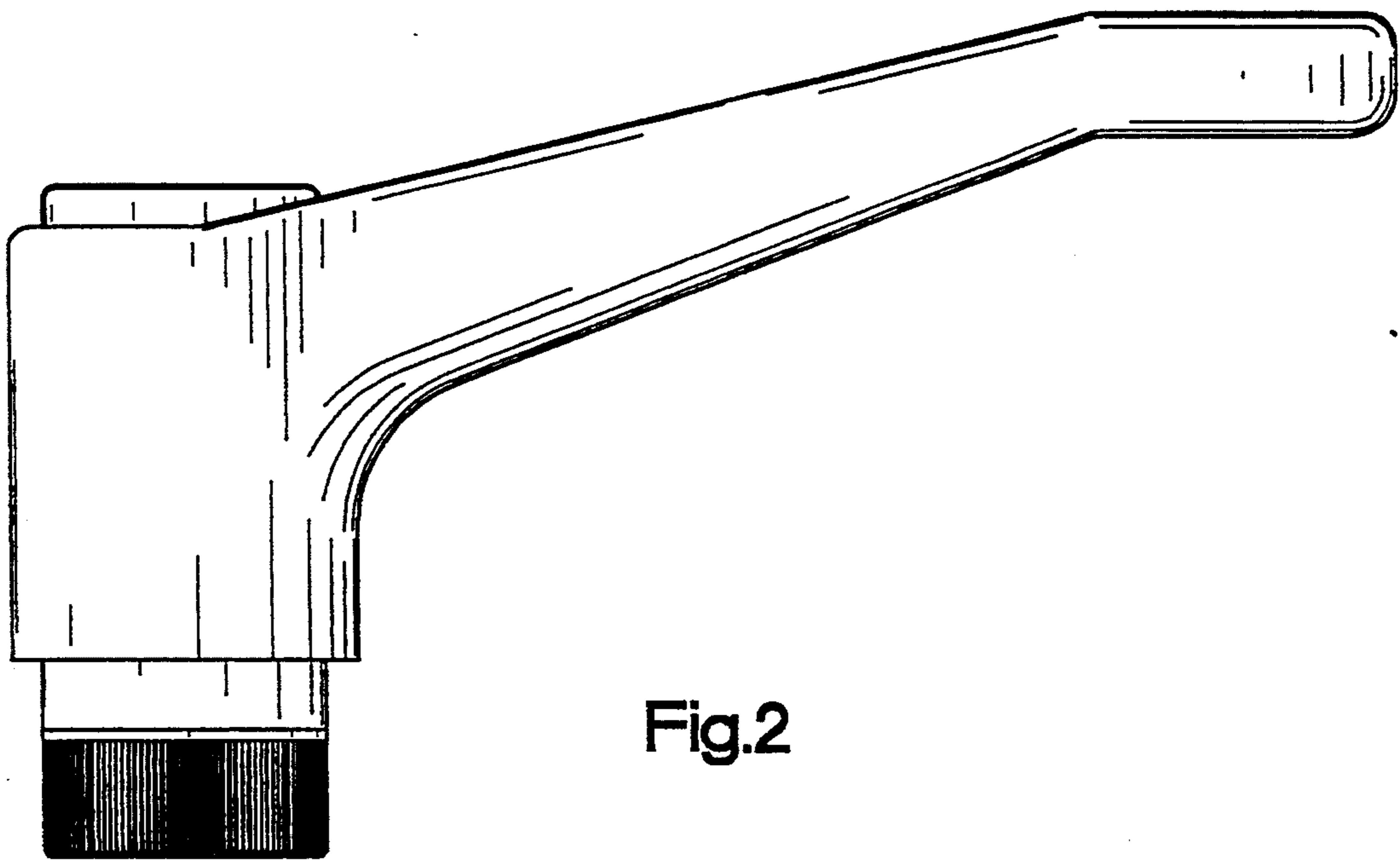


Fig.2

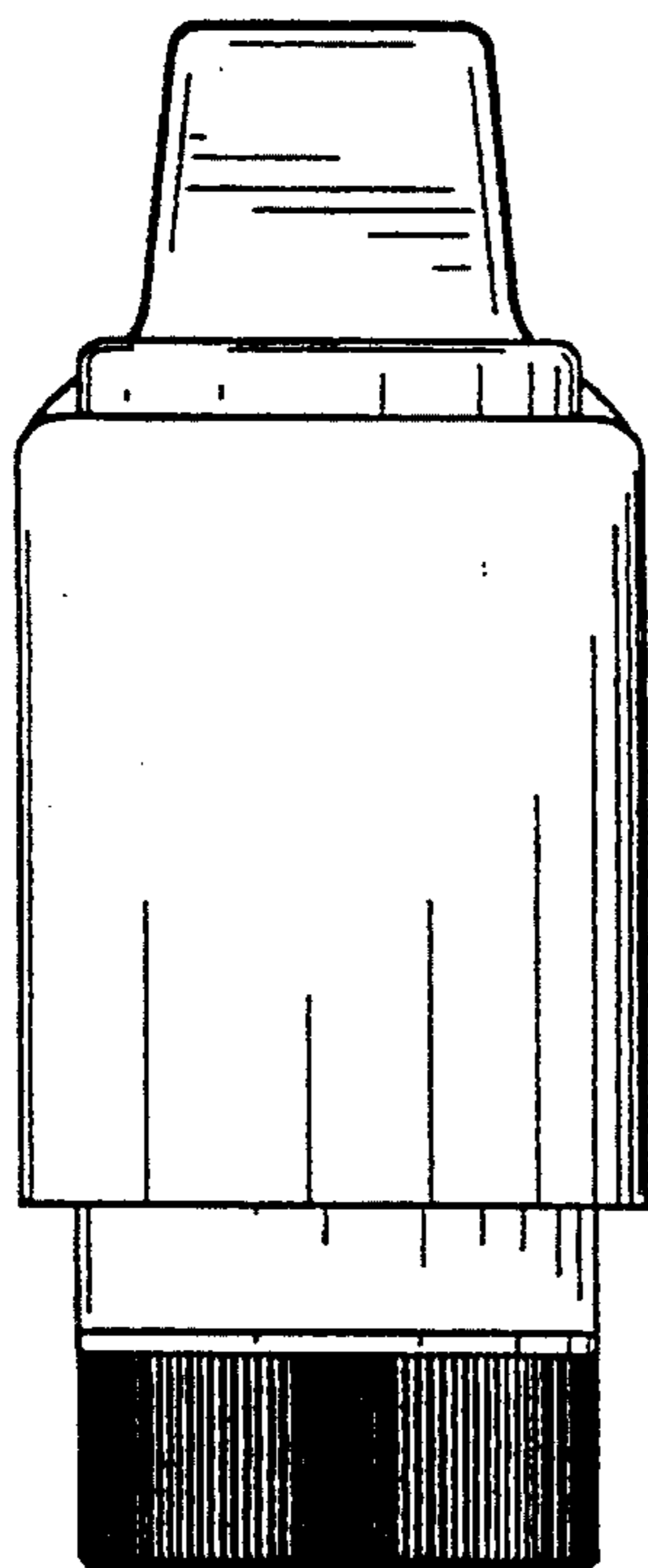


Fig.3

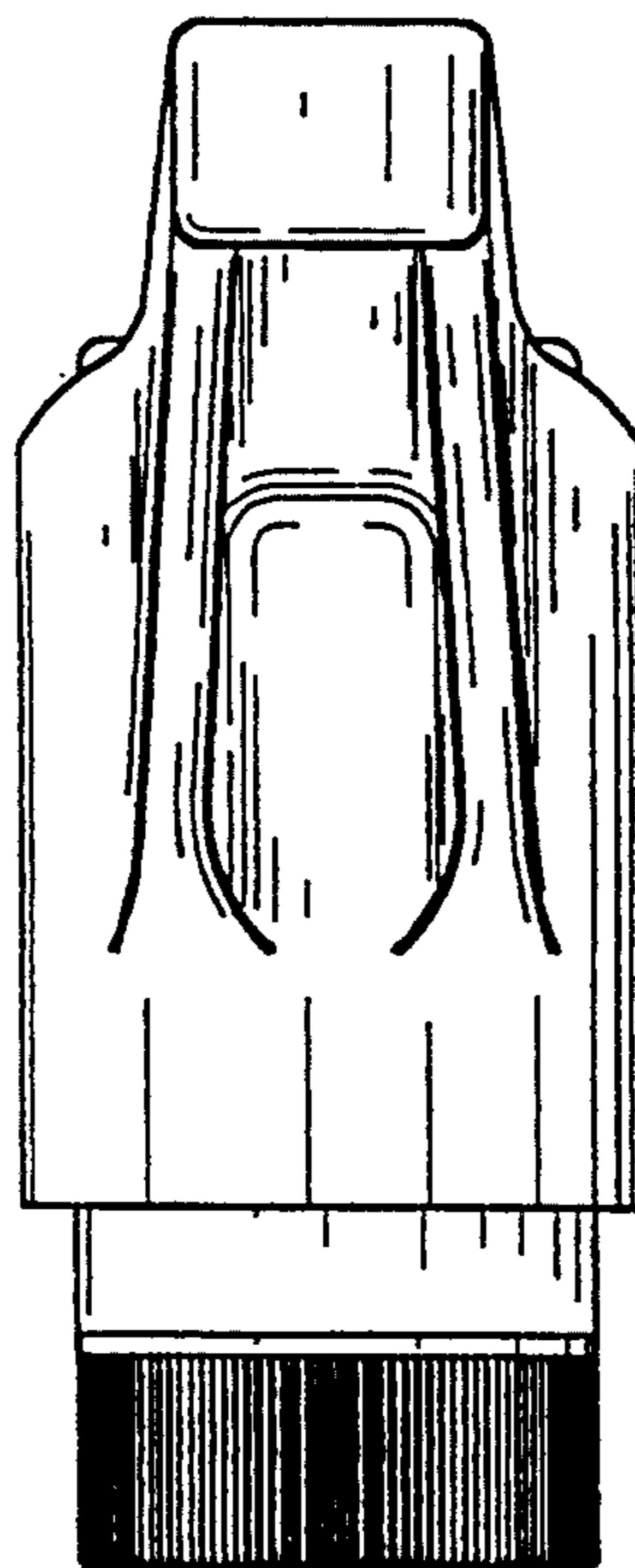


Fig.4

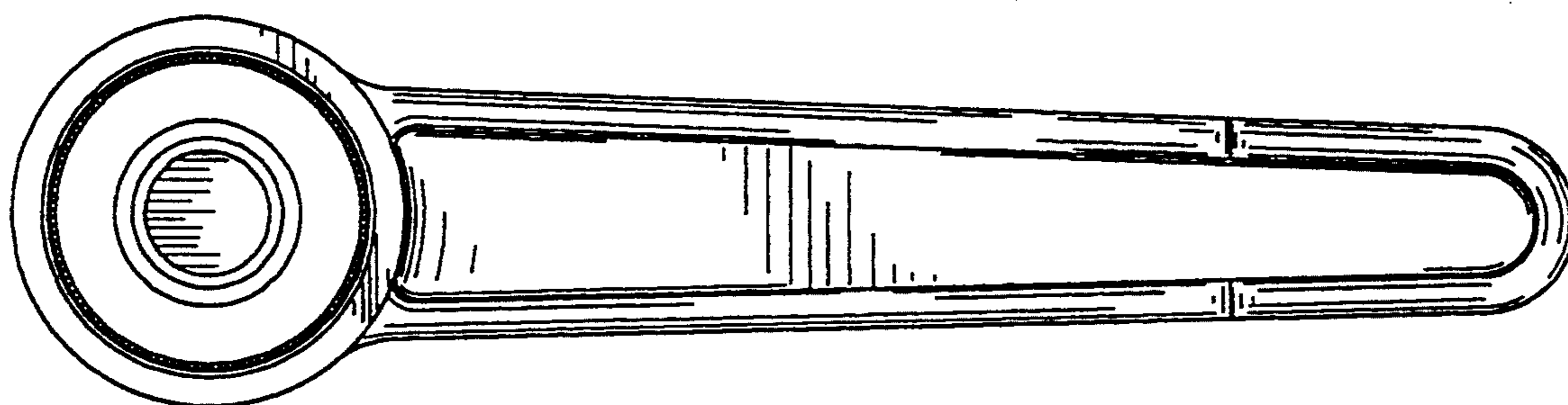


Fig.5

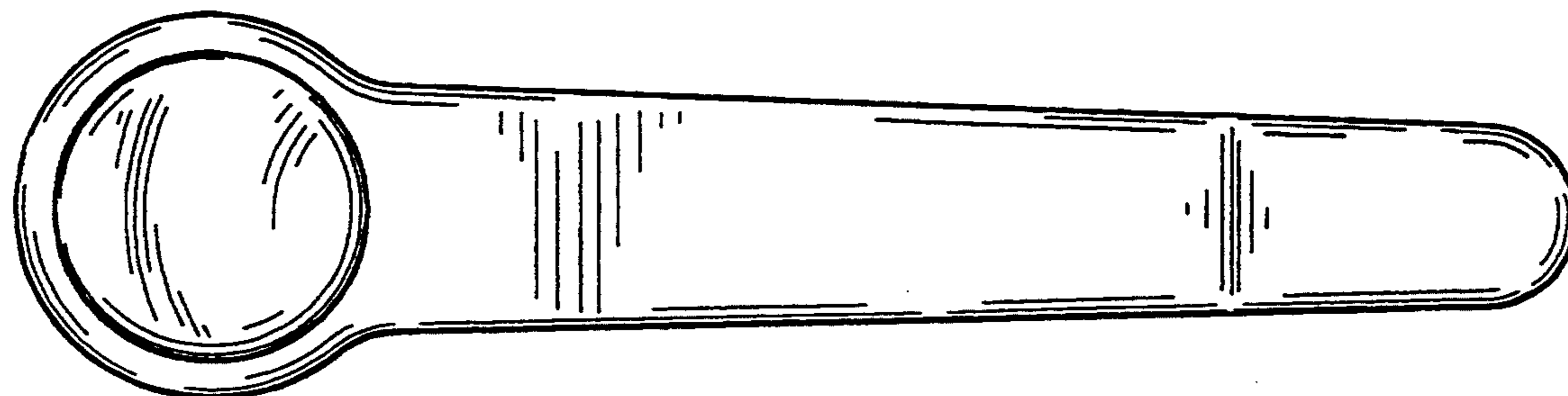


Fig.6