



US00D356237S

# United States Patent [19]

[11] Patent Number: **Des. 356,237**

White

[45] Date of Patent: \*\* Mar. 14, 1995

[54] CAN OPENER

[76] Inventor: **Donald J. White, R.D. #1, Box 76A, Cohocton, N.Y. 14826**

[\*\*] Term: **14 Years**

[21] Appl. No.: **650,669**

[22] Filed: **Feb. 5, 1991**

[52] U.S. Cl. .... **D8/34**

[58] Field of Search ..... **D8/18, 33-34, D8/37, 39, 40-43; 81/3.4, 3.07, 3.08, 3.09, 3.15, 3.29, 3.35, 3.36, 3.37, 3.41, 3.42, 3.43, 3.48, 3.55, 3.57; 7/151-152, 155-156; 30/416, 420, 422, 427, 450**

2,800,712	7/1957	Jernegan .....	D8/41
3,142,903	8/1964	Stiller .....	30/450
4,617,842	10/1986	Yang .....	81/3.55
4,949,600	8/1990	Tricinella .....	81/3.55
4,976,172	12/1990	Thomas .....	81/3.55

*Primary Examiner*—Bernard Ansher  
*Assistant Examiner*—R. Barkai  
*Attorney, Agent, or Firm*—Howard J. Greenwald

### [57] CLAIM

The ornamental design for a can opener, as shown and described.

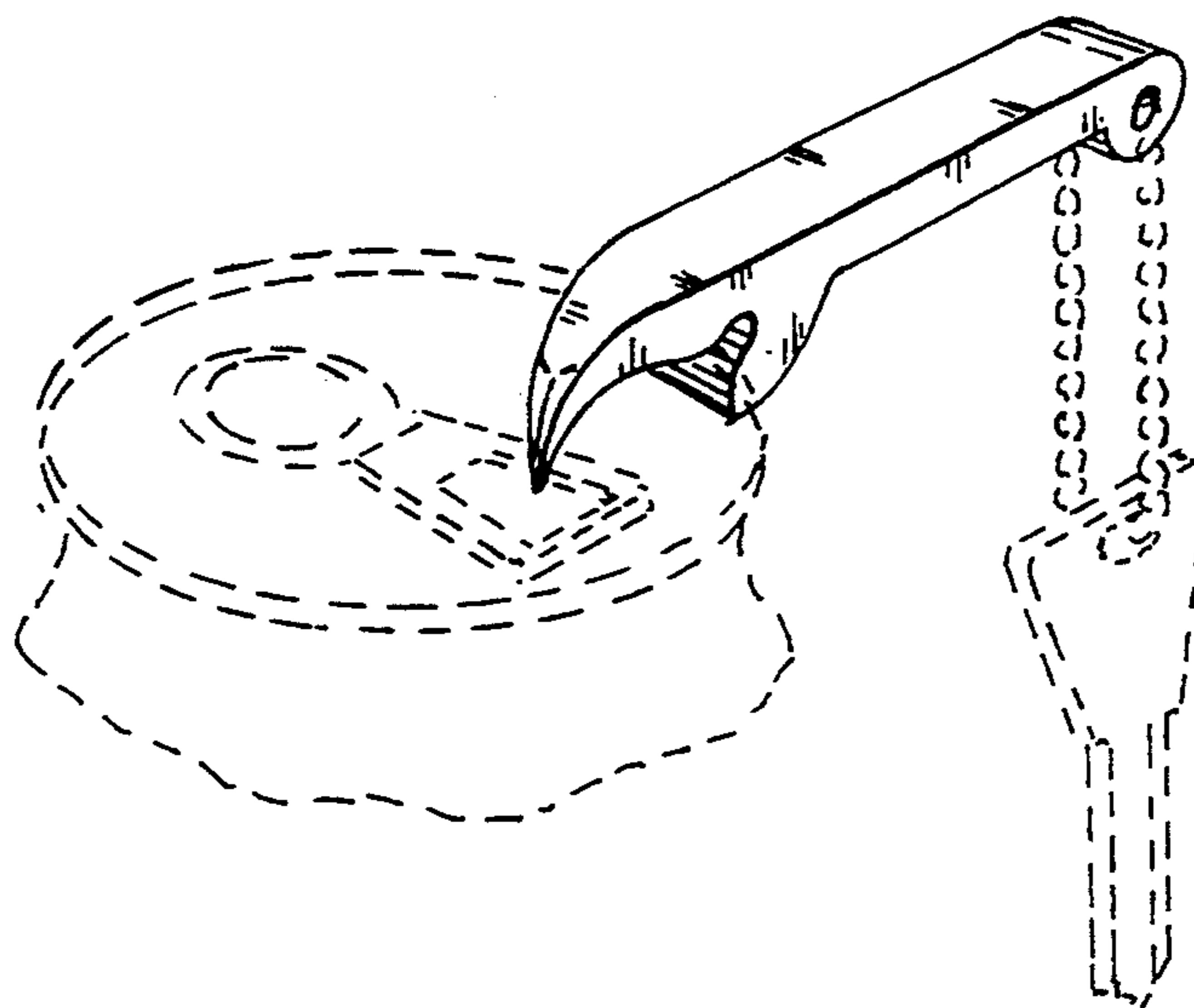
### DESCRIPTION

FIG. 1 is a perspective view of a can opener showing my new design, the broken line showing of the can, key chain and keys is for illustrative purposes only and forms no part of the claimed design; FIG. 2 is a top plan view thereof; FIG. 3 is a right side elevational view thereof, the left side elevational view being a mirror image; and, FIG. 4 is a bottom view thereof.

### [56] References Cited

#### U.S. PATENT DOCUMENTS

D. 55,450	6/1920	Carlson .....	D8/41
D. 143,233	12/1945	Moore .....	D8/43
D. 271,659	12/1983	Fayle .....	D8/18



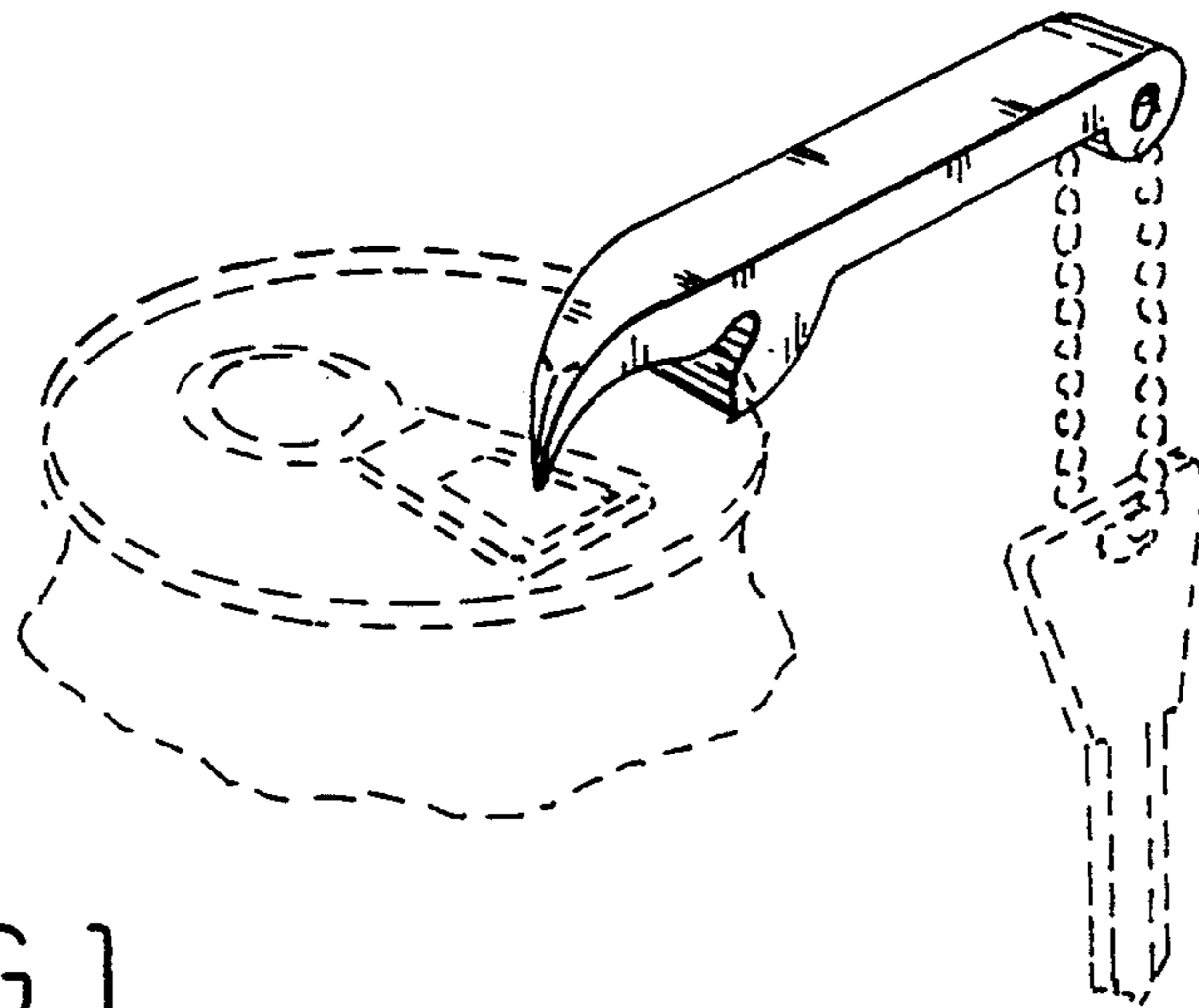


FIG. 1



FIG. 2

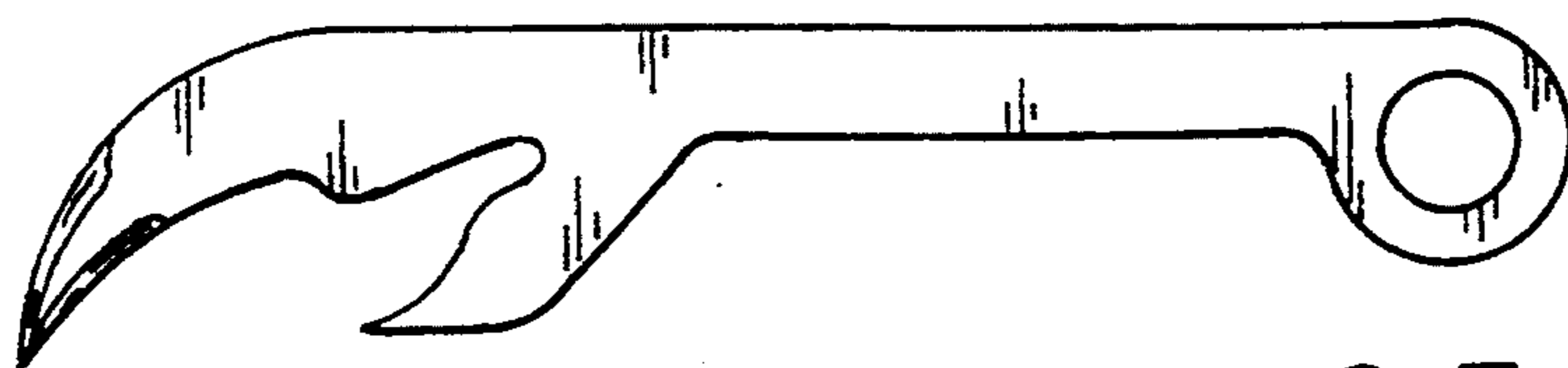


FIG. 3

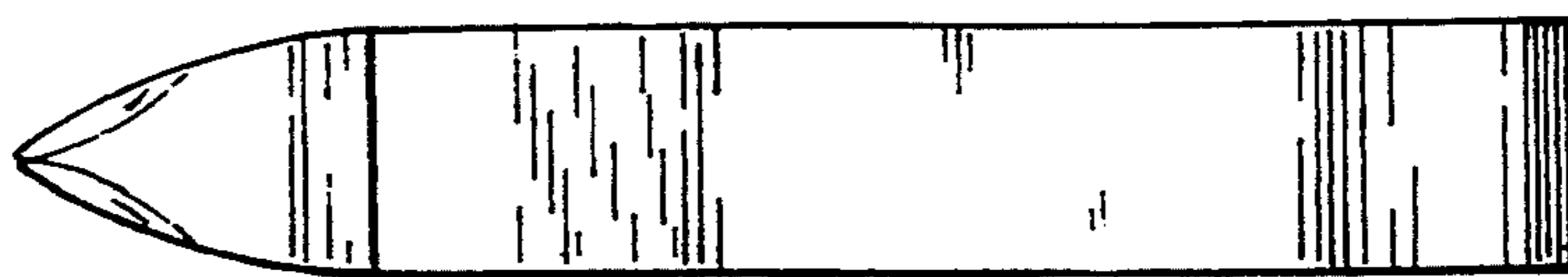


FIG. 4