



US00D356227S

United States Patent [19]

[11] Patent Number: **Des. 356,227**

Hay

[45] Date of Patent: **** Mar. 14, 1995**

[54] **TOOTHBRUSH AND TOOTHPASTE HOLDER**

D. 293,532 1/1988 Sussman D6/531
D. 301,098 5/1989 Morris D6/528

[76] Inventor: **Earl W. Hay**, 2810 Fishing Creek Valley Rd., Harrisburg, Pa. 17112

Primary Examiner—Brian N. Vinson
Attorney, Agent, or Firm—Gerald Post

[**] Term: **14 Years**

[57] **CLAIM**

[21] Appl. No.: **14,048**

The ornamental design for a toothbrush and toothpaste holder, as shown and described.

[22] Filed: **Nov. 26, 1993**

DESCRIPTION

[52] U.S. Cl. **D6/528**

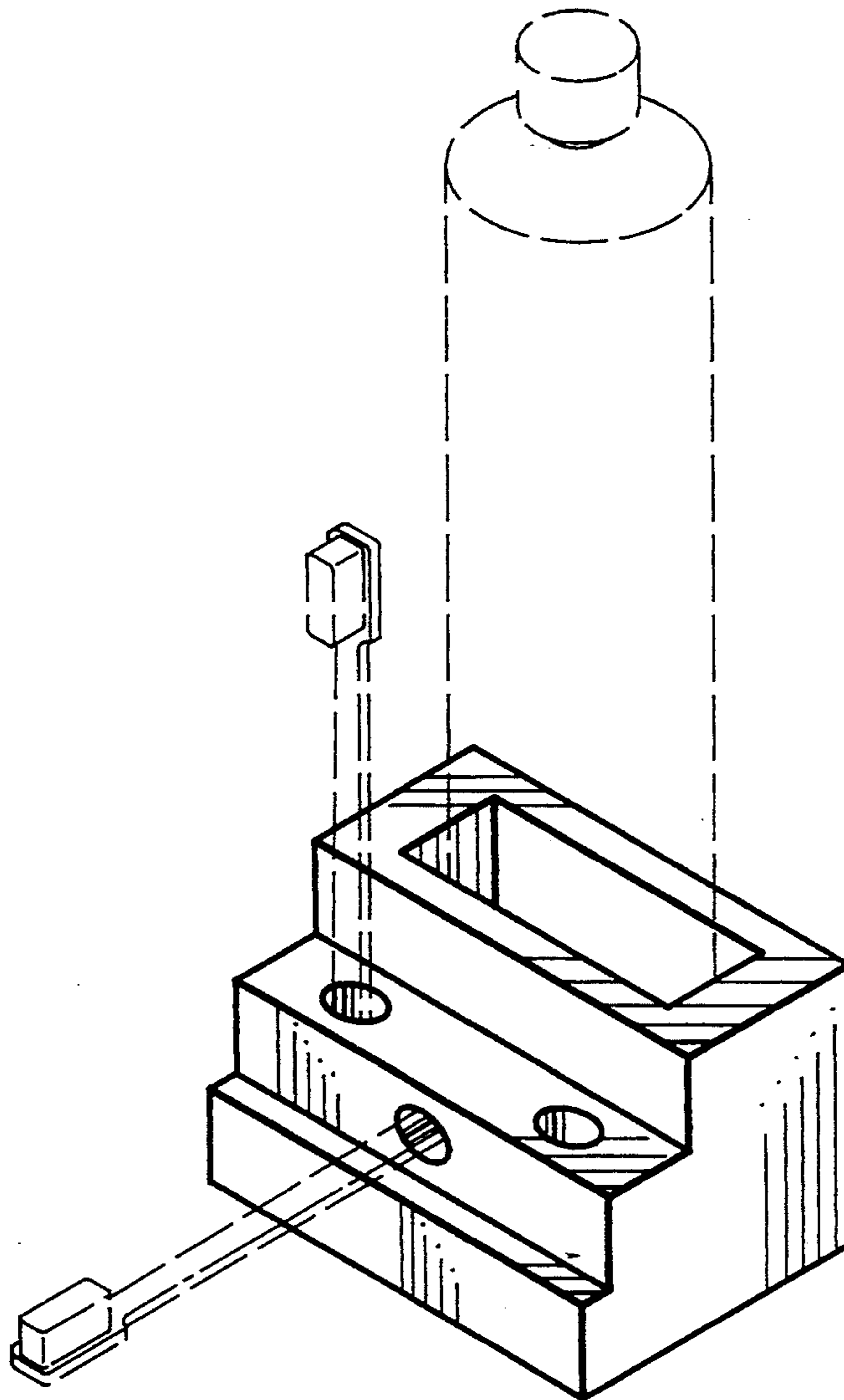
[58] Field of Search **D6/527-528, D6/534; 248/176, 108, 110-111; 211/13, 65, 69.1, 69.4, 69.5, 71; 206/361-362, 362.1, 362.2**

FIG. 1 is a top, front, and right side perspective view of a toothpaste and toothbrush holder showing my new design, the broken-line disclosure of a toothpaste and toothbrushes being for illustrative purposes only and forming no part of the claimed design; FIG. 2 is a top view thereof; FIG. 3 is a front view thereof; FIG. 4 is a bottom view thereof; FIG. 5 is a left side view thereof; and, FIG. 6 is a rear view thereof.

[56] **References Cited**

U.S. PATENT DOCUMENTS

D. 111,409 9/1938 Stanton D6/528
D. 168,746 2/1953 Laciura D6/532
D. 254,584 4/1980 Renko D6/528



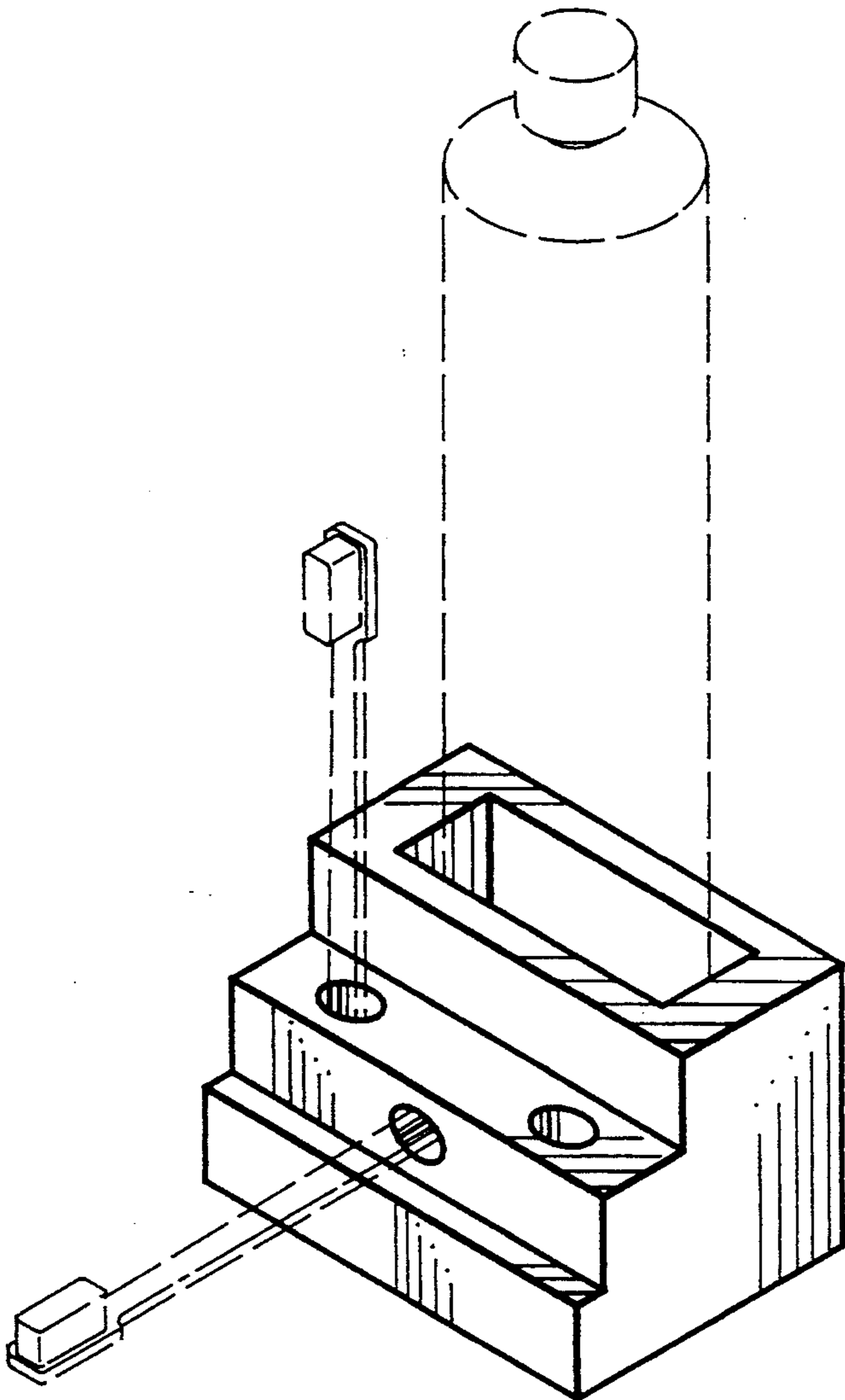


FIG. 1

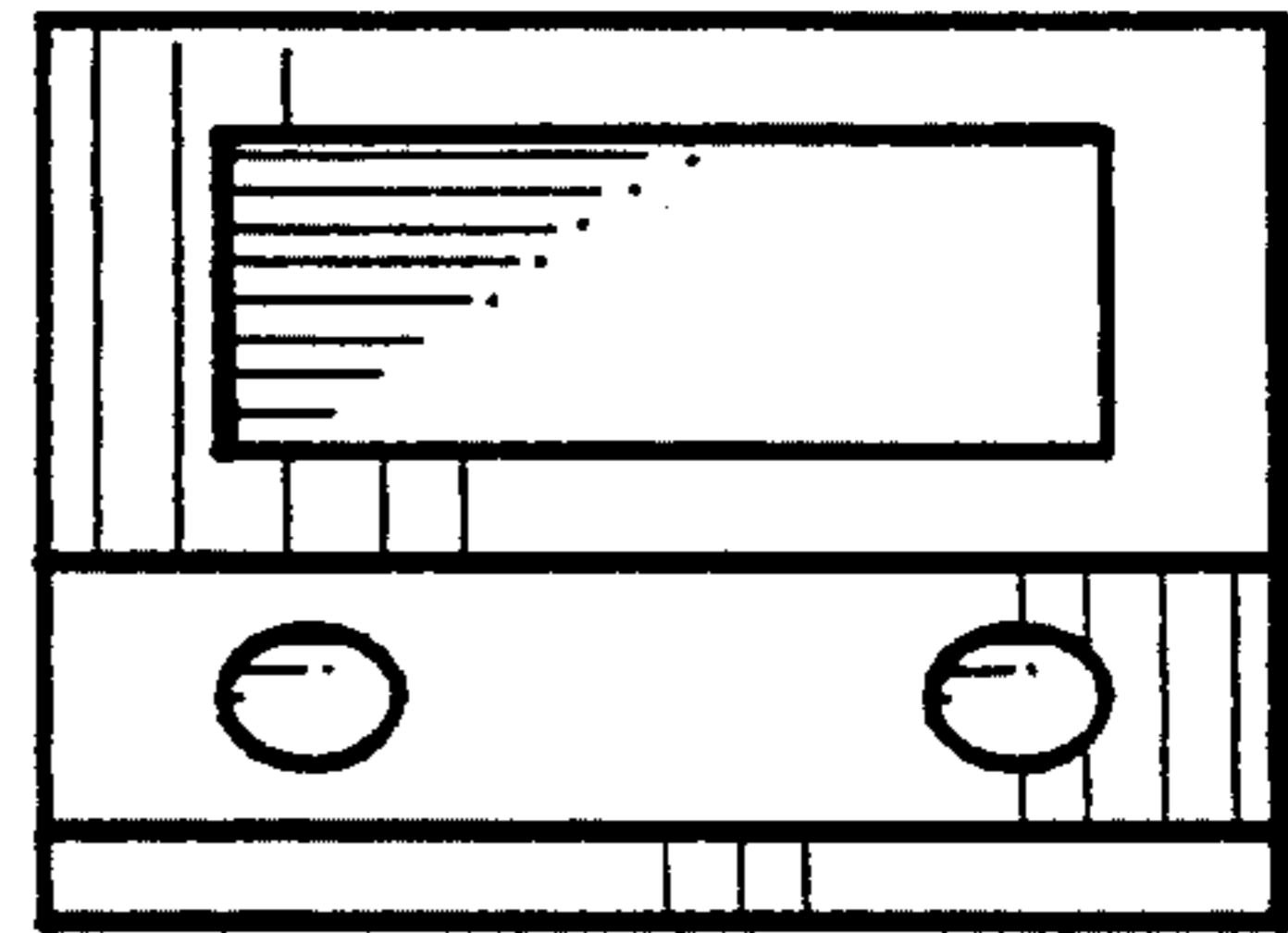


FIG. 2

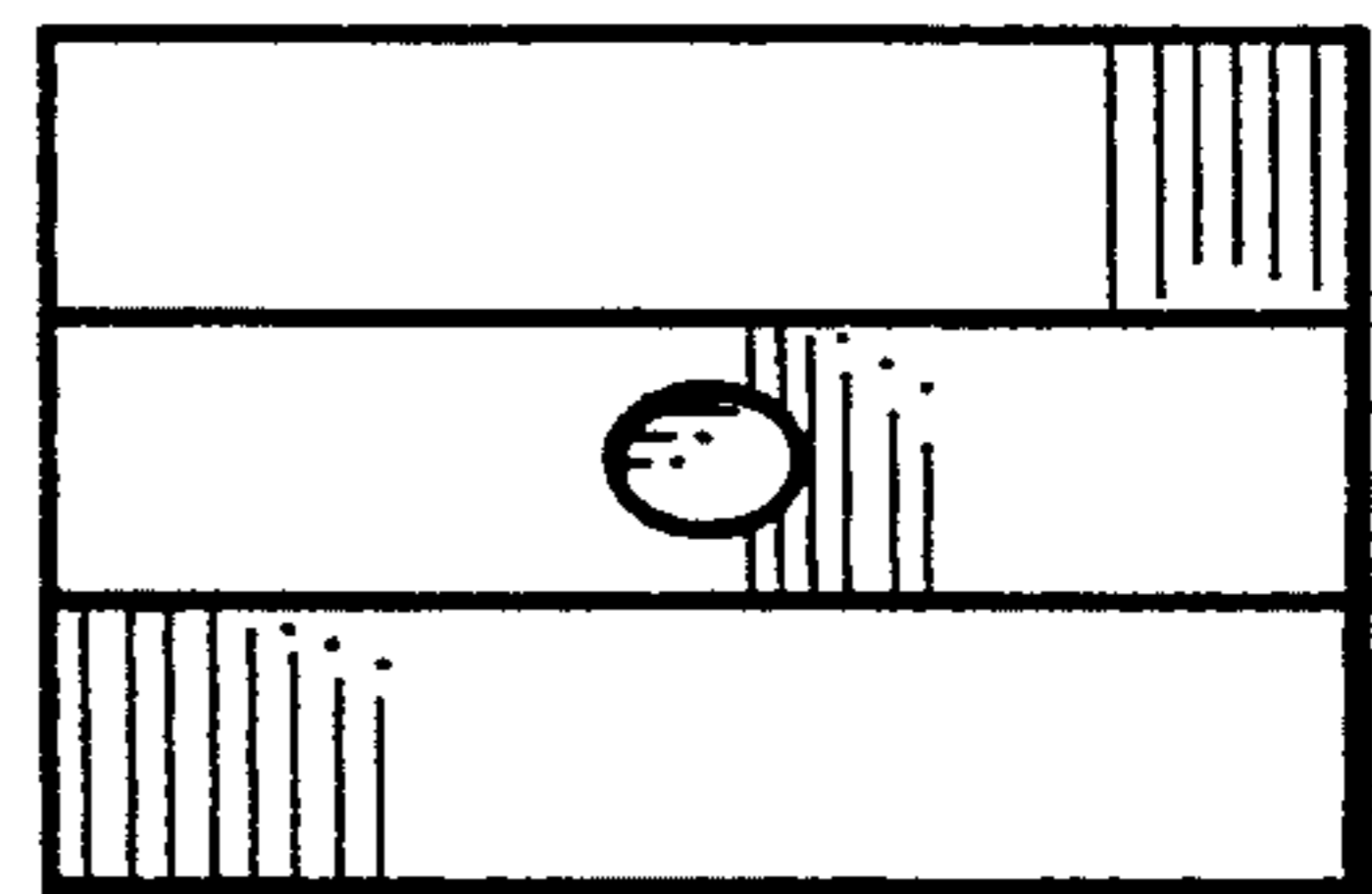


FIG. 3

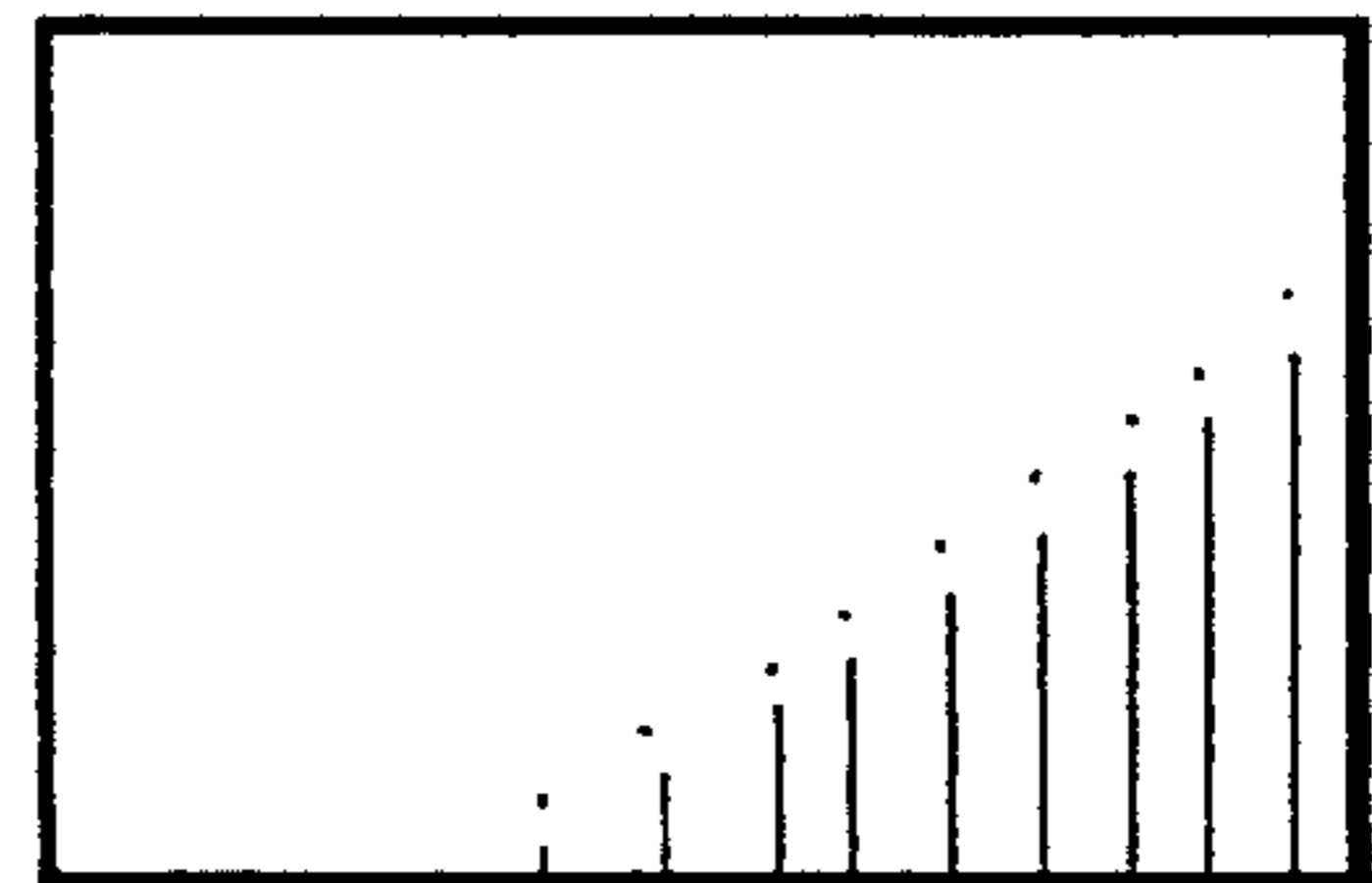


FIG. 4

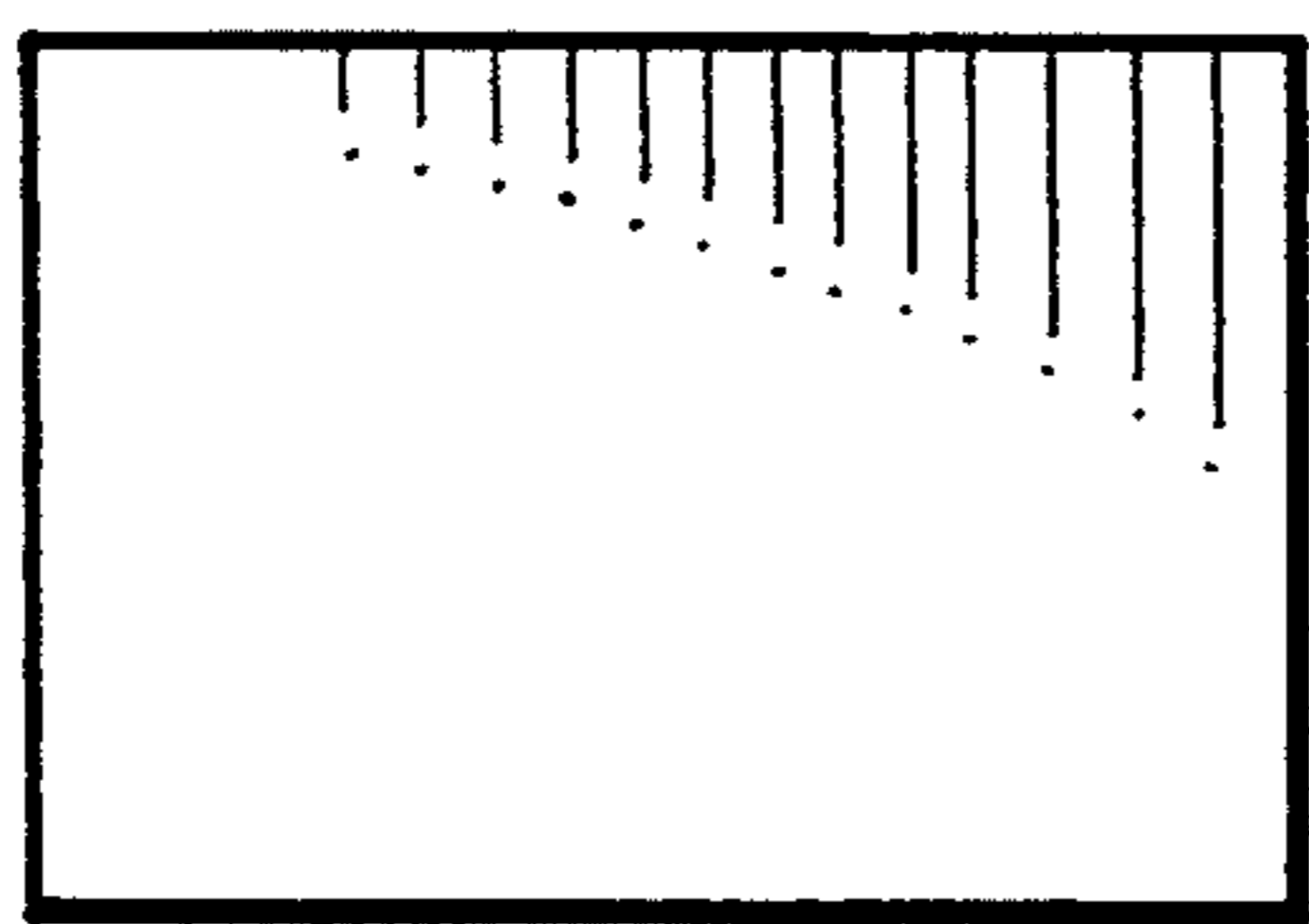


FIG. 6

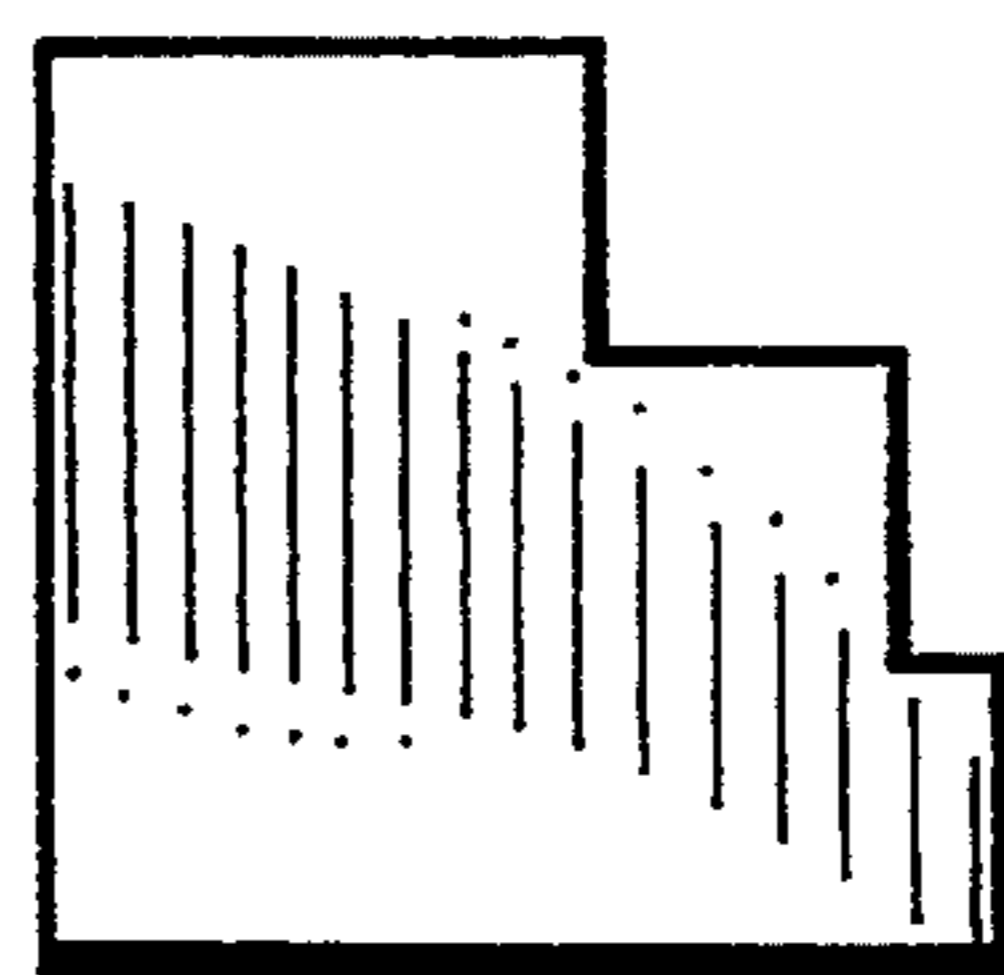


FIG. 5