



US00D356226S

# United States Patent [19] Hay

[11] Patent Number: Des. 356,226

[45] Date of Patent: \*\* Mar. 14, 1995

[54] **TOILET PAPER HOLDER**

[76] Inventor: **Earl W. Hay**, 2810 Fishing Creek Valley Rd., Harrisburg, Pa. 17112

[\*\*] Term: **14 Years**

[21] Appl. No.: **14,047**

[22] Filed: **Nov. 26, 1993**

[52] U.S. Cl. .... **D6/521; D6/523**

[58] Field of Search ..... **D6/518, 520-523; 206/389; 242/590, 598, 601**

[56] **References Cited**

**U.S. PATENT DOCUMENTS**

D. 240,682 7/1976 Robles ..... D6/519

D. 253,265 10/1979 Miller ..... D6/521

D. 298,597 11/1988 Bell ..... D6/521

D. 306,809 3/1990 Joseph ..... D6/521

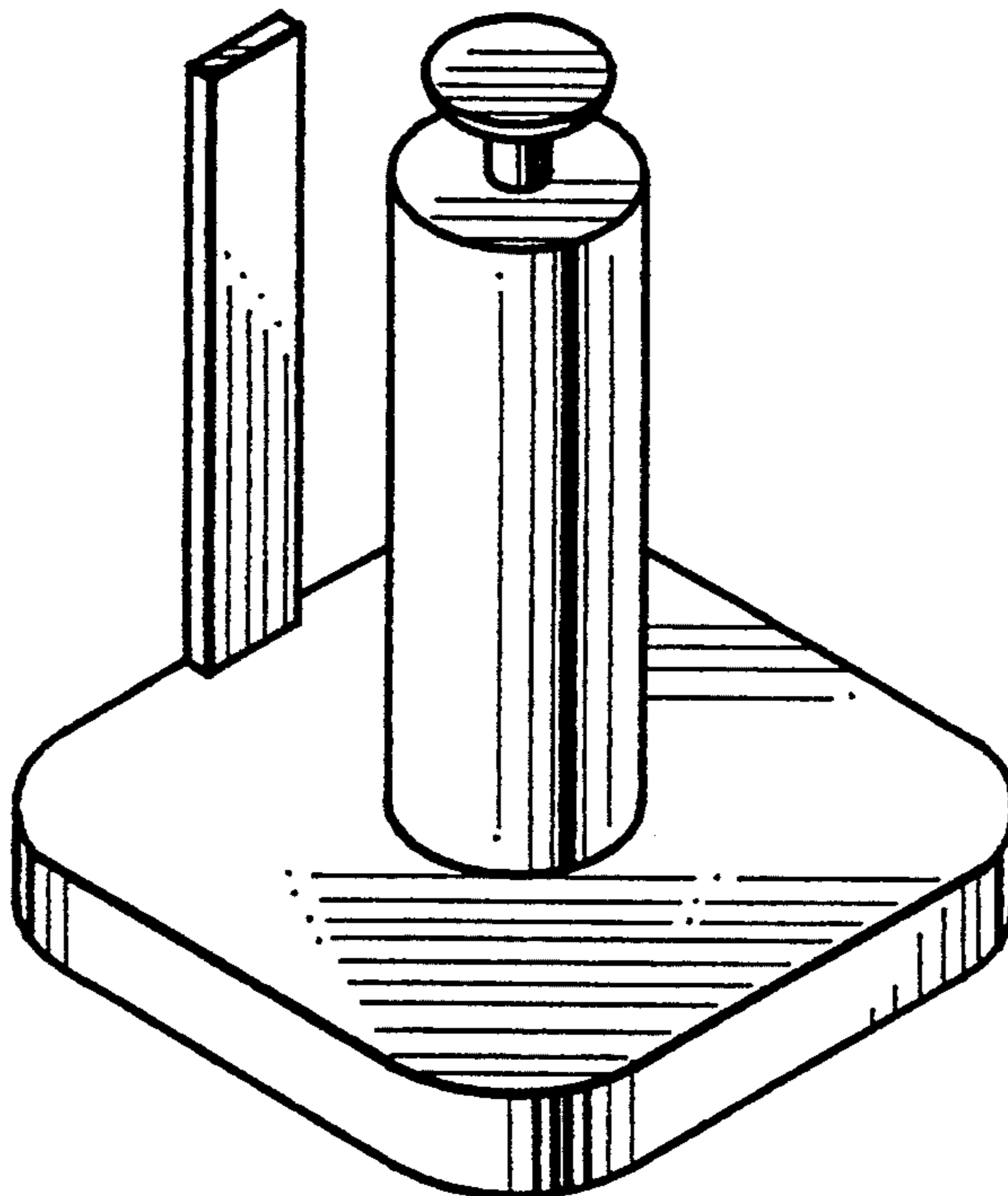
*Primary Examiner*—Brian N. Vinson  
*Attorney, Agent, or Firm*—Gerald Post

[57] **CLAIM**

The ornamental design for a toilet paper holder, as shown and described.

**DESCRIPTION**

FIG. 1 is a perspective view of my design of a toilet paper holder;  
FIG. 2 is a top view thereof;  
FIG. 3 is a right side view thereof;  
FIG. 4 is a bottom view thereof; and,  
FIG. 5 is a front view thereof.



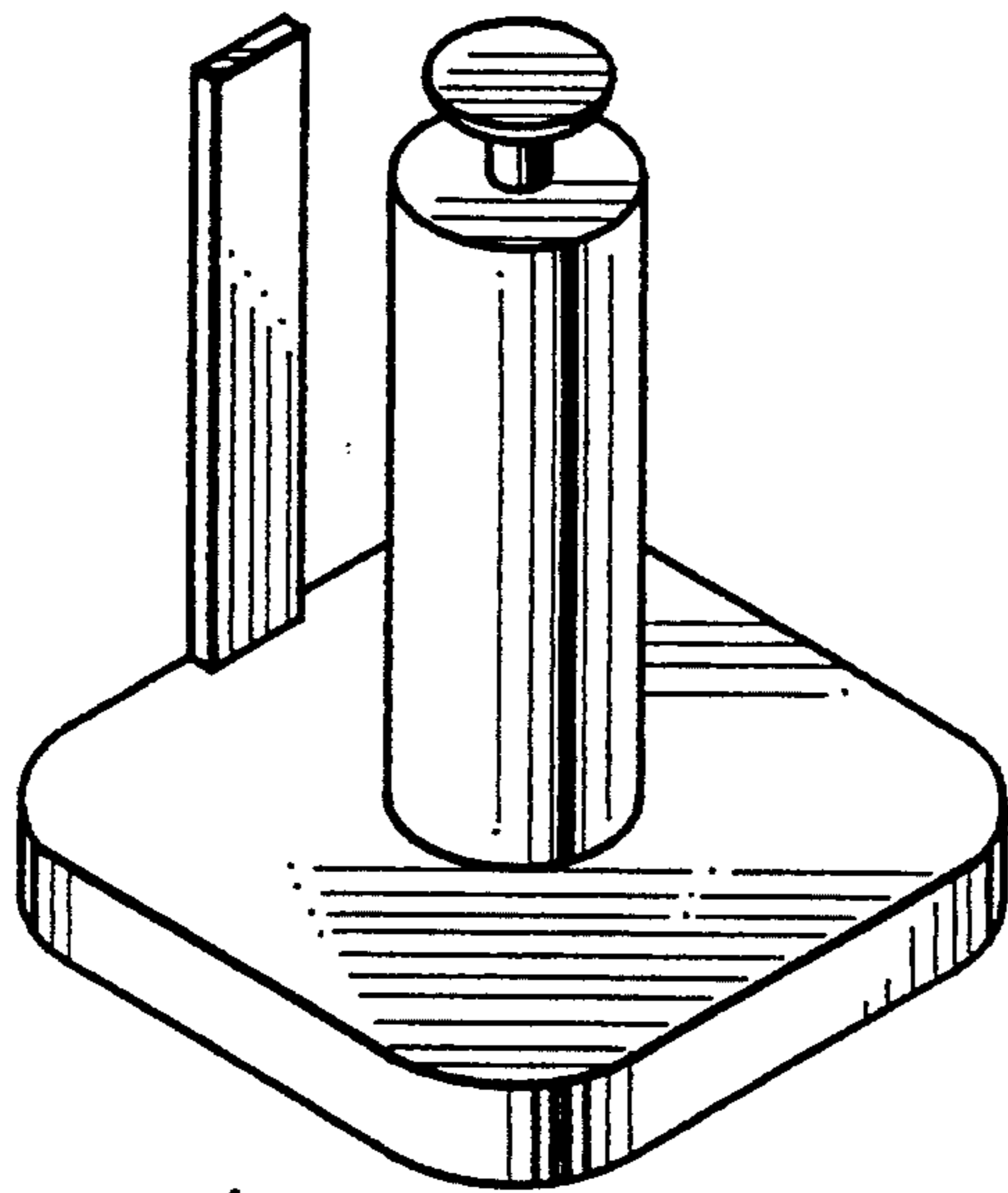


FIG. 1

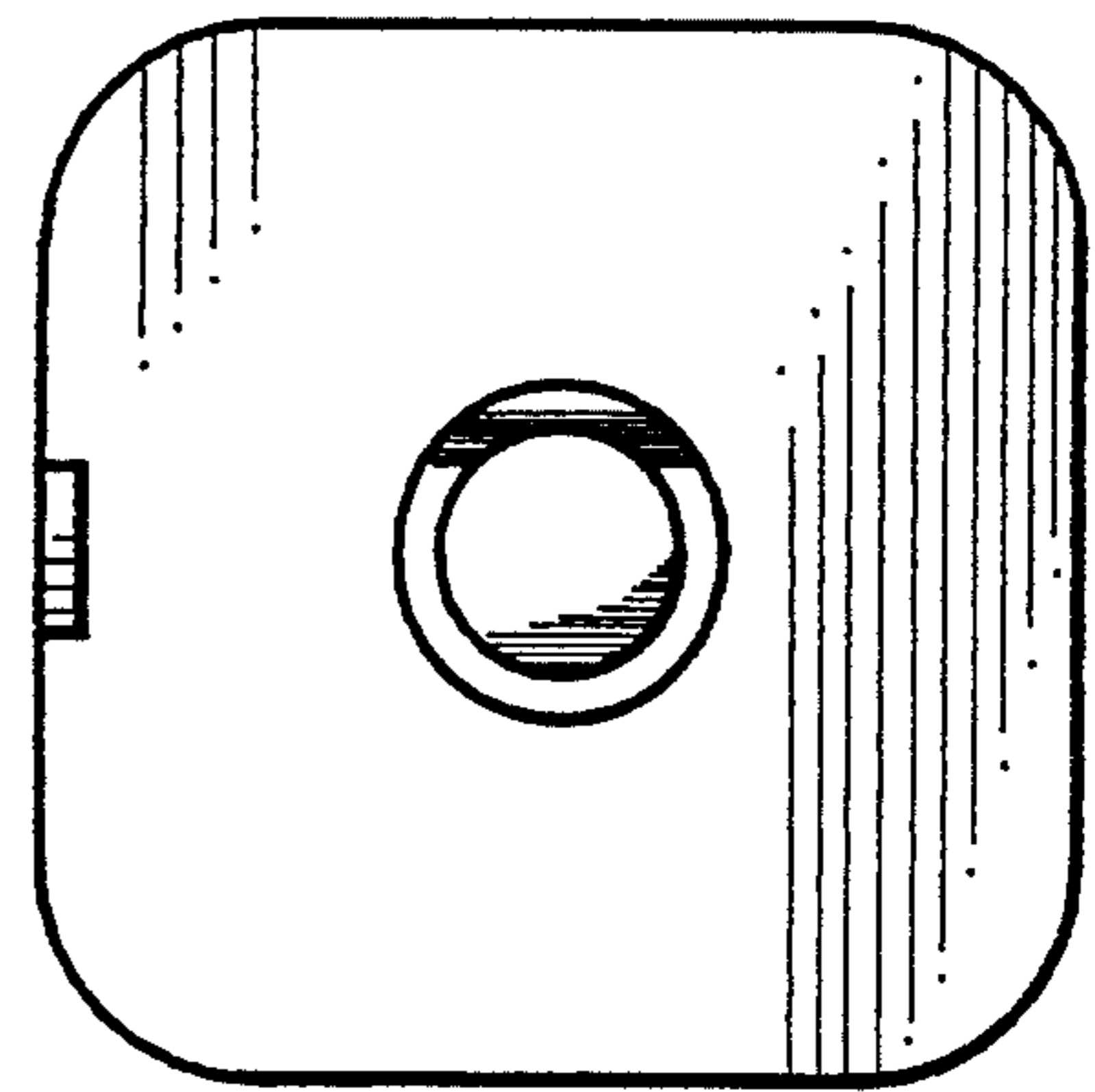


FIG. 2

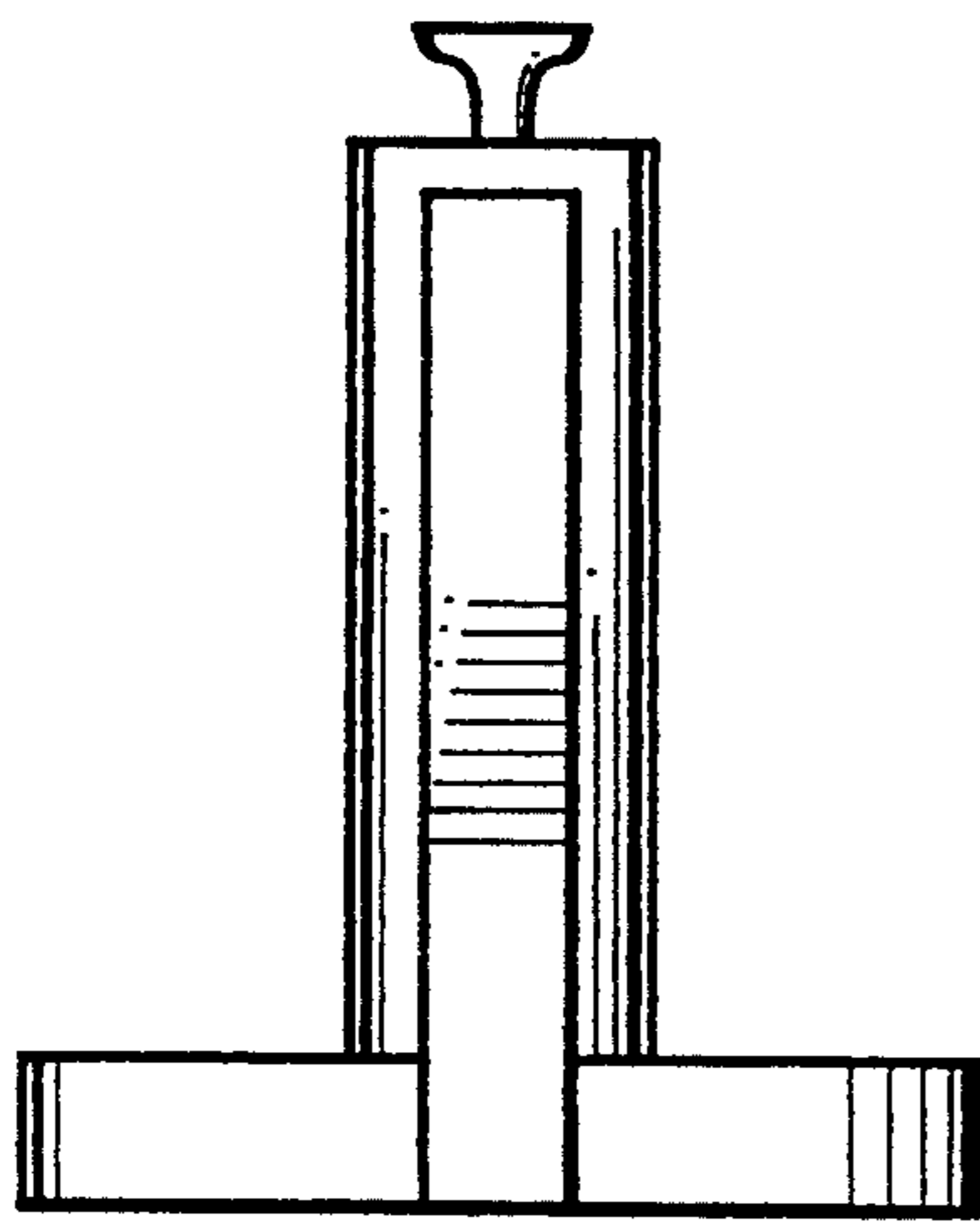


FIG. 5

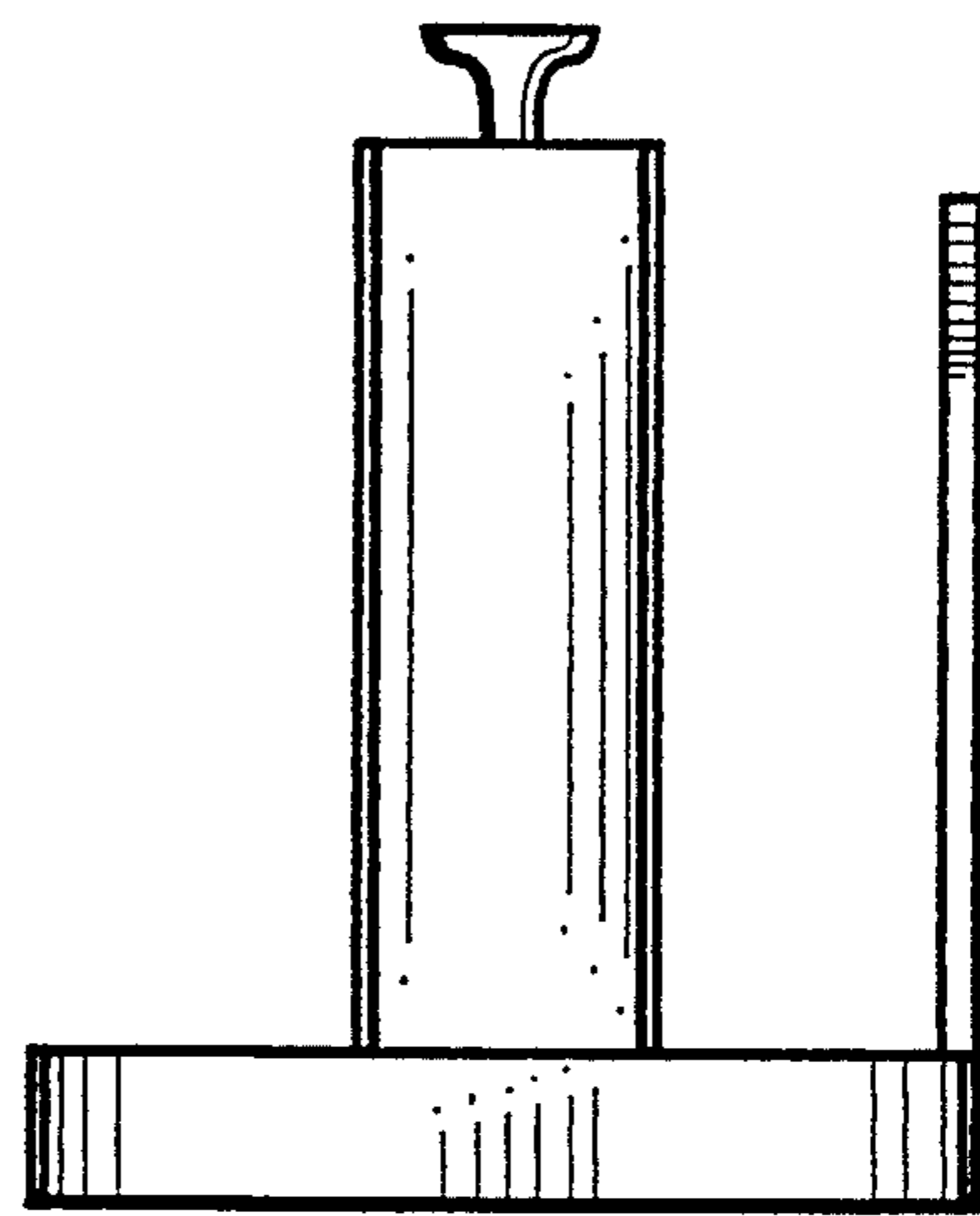


FIG. 3

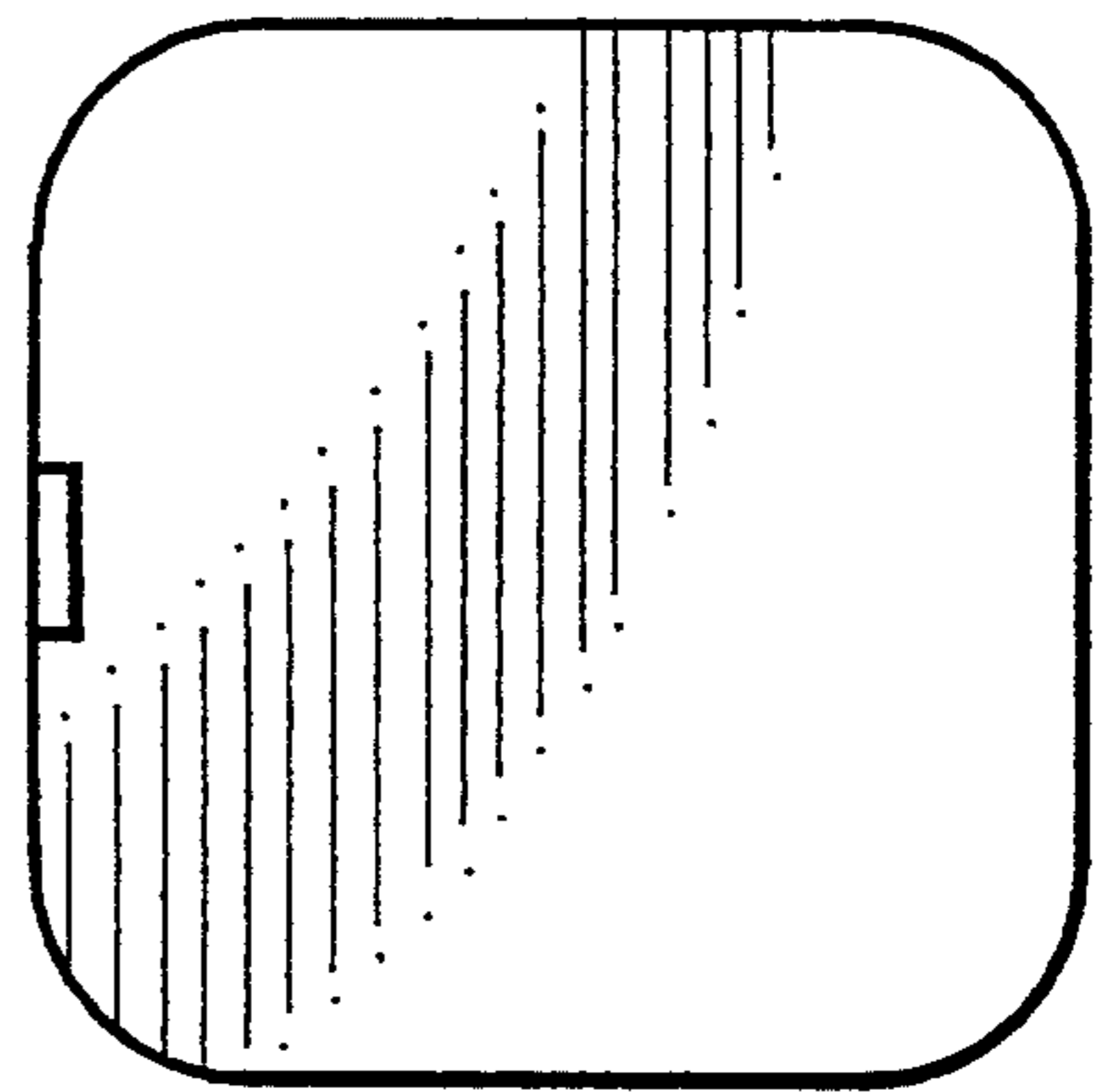


FIG. 4