



US00D356219S

United States Patent [19]

[11] Patent Number: **Des. 356,219**

Jones

[45] Date of Patent: **** Mar. 14, 1995**

[54] **MUSIC STAND**

[76] Inventor: **Michael Jones**, Agia's Pheologos
Theologos, Kalymnos, 85200,
Podecaneese, Greece

[**] Term: **14 Years**

[21] Appl. No.: **5,880**

[22] Filed: **Mar. 16, 1993**

[52] U.S. Cl. **D6/419**

[58] Field of Search D6/419, 420, 310-313,
D6/406; D19/88, 91, 90; 108/1-10; 248/441 R,
451, 454-457, 441.1, 448, 449; 211/42, 43

[56] **References Cited**

U.S. PATENT DOCUMENTS

D. 118,485	1/1940	Salomon	D6/419
132,704	10/1872	White	248/441.1
D. 139,445	11/1944	Barger	D6/419
D. 191,360	9/1961	Bolcom	D6/419
D. 235,706	7/1975	Douglas	D6/419
236,685	1/1881	Massey	248/441.1

D. 239,899	5/1976	Malcolm	D6/419
D. 324,462	3/1992	Karnaze	D6/419
1,753,378	4/1930	Jones	108/10
4,813,644	3/1989	Goldner	248/441.1

FOREIGN PATENT DOCUMENTS

26171 of 1901 United Kingdom 248/457

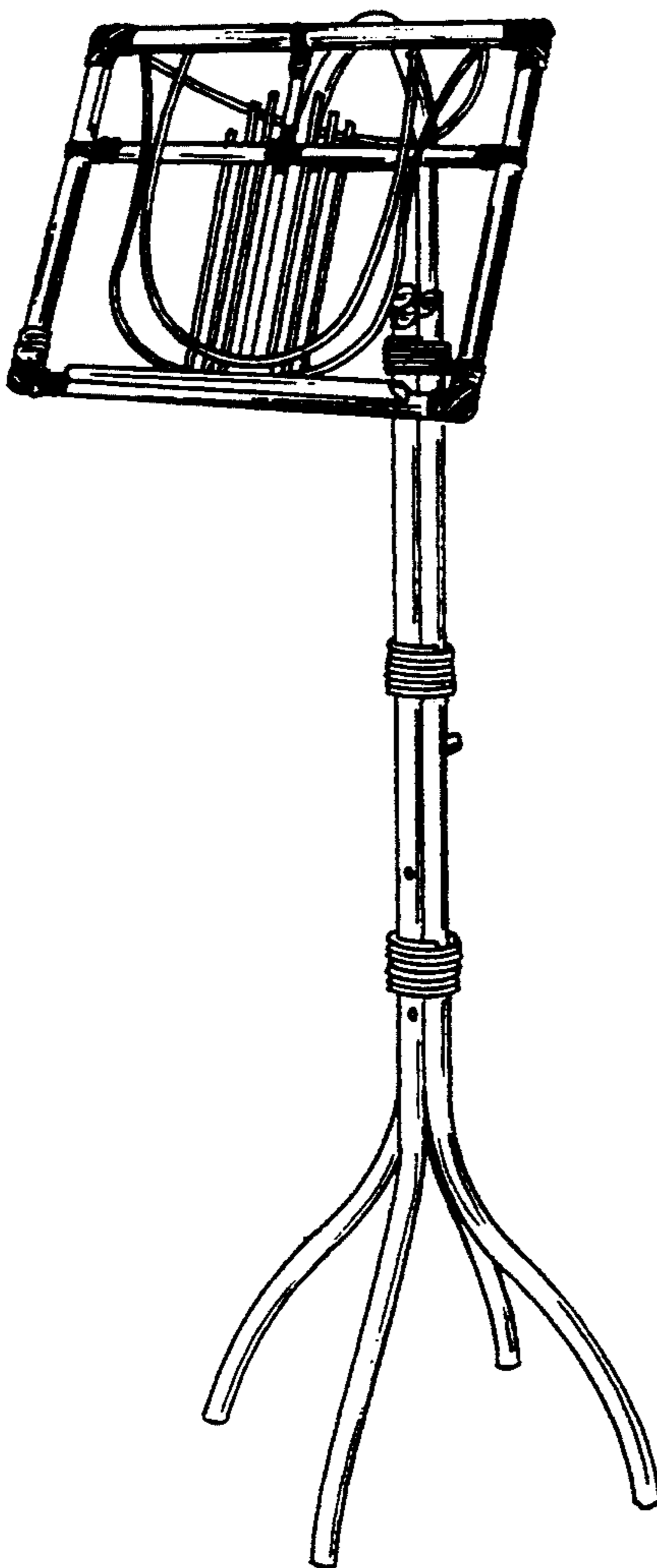
Primary Examiner—Carmen H. Vales-Lado
Attorney, Agent, or Firm—Barnes & Thornburg

[57] **CLAIM**

The ornamental design for a music stand, as shown and described.

DESCRIPTION

FIG. 1 is a perspective view of front and right side of a music stand showing my new design;
FIG. 2 is a right-side elevational view with the left-side being a mirror image thereof;
FIG. 3 is a top view of FIG. 2 thereof; and,
FIG. 4 is an enlarged front elevational view of the music sheet holder, the stand portion removed for convenience of illustration.



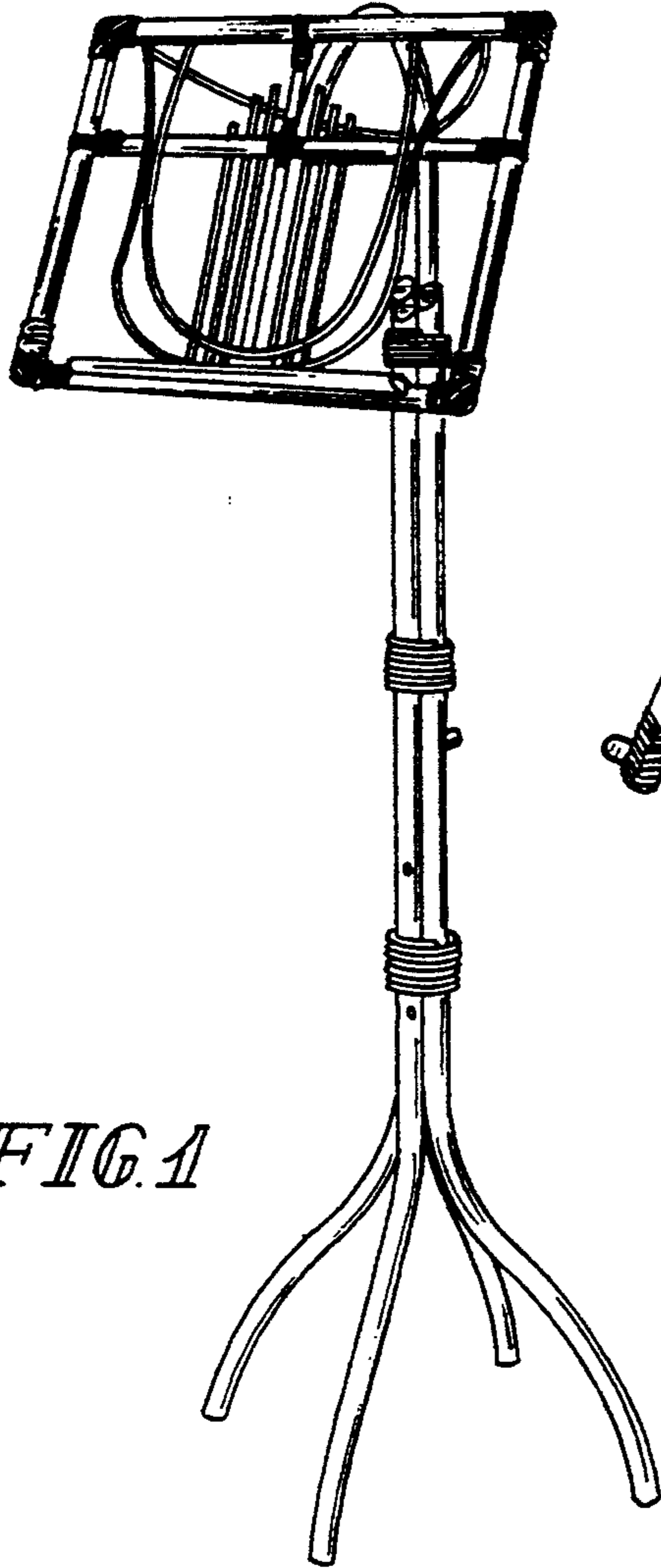


FIG. 1

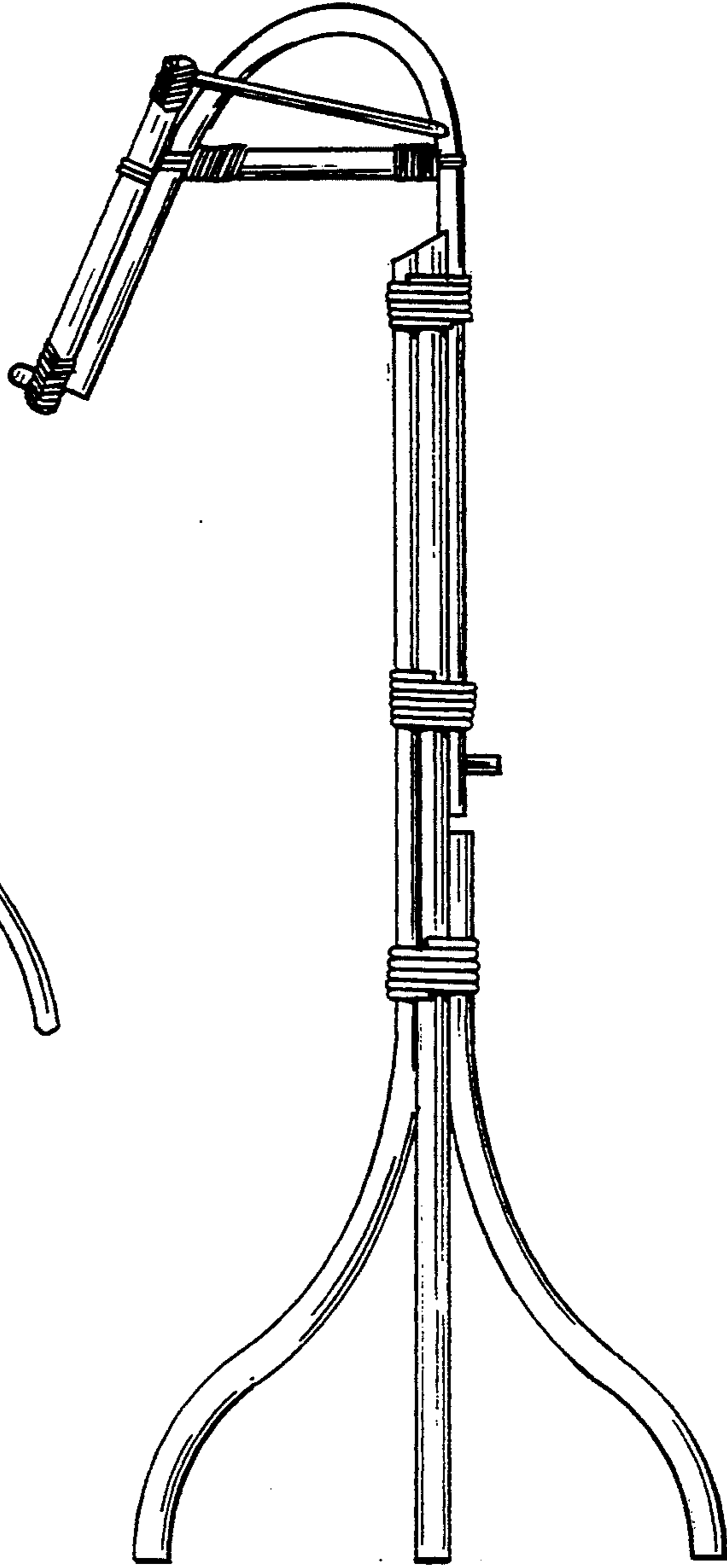


FIG. 2

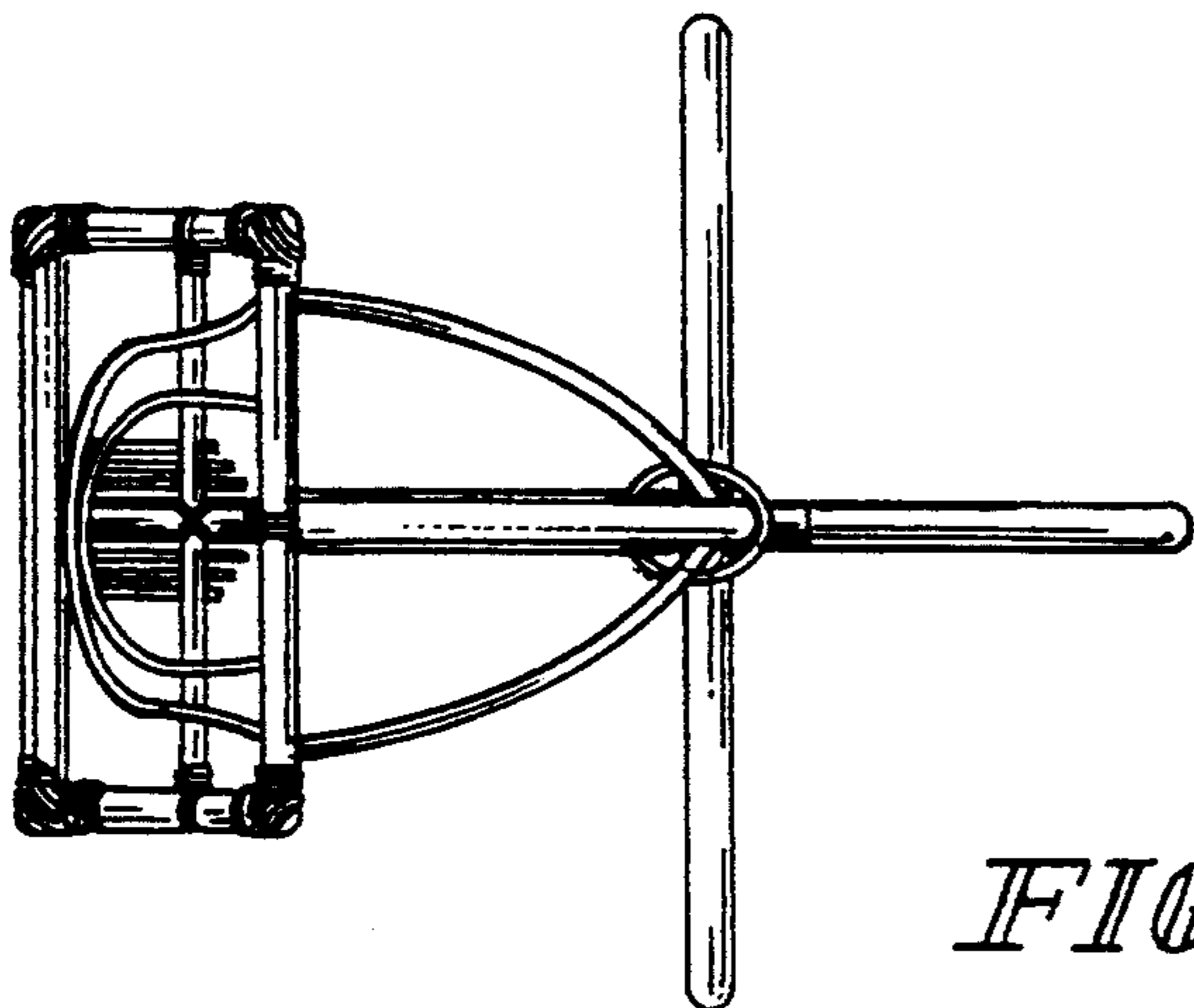


FIG. 3

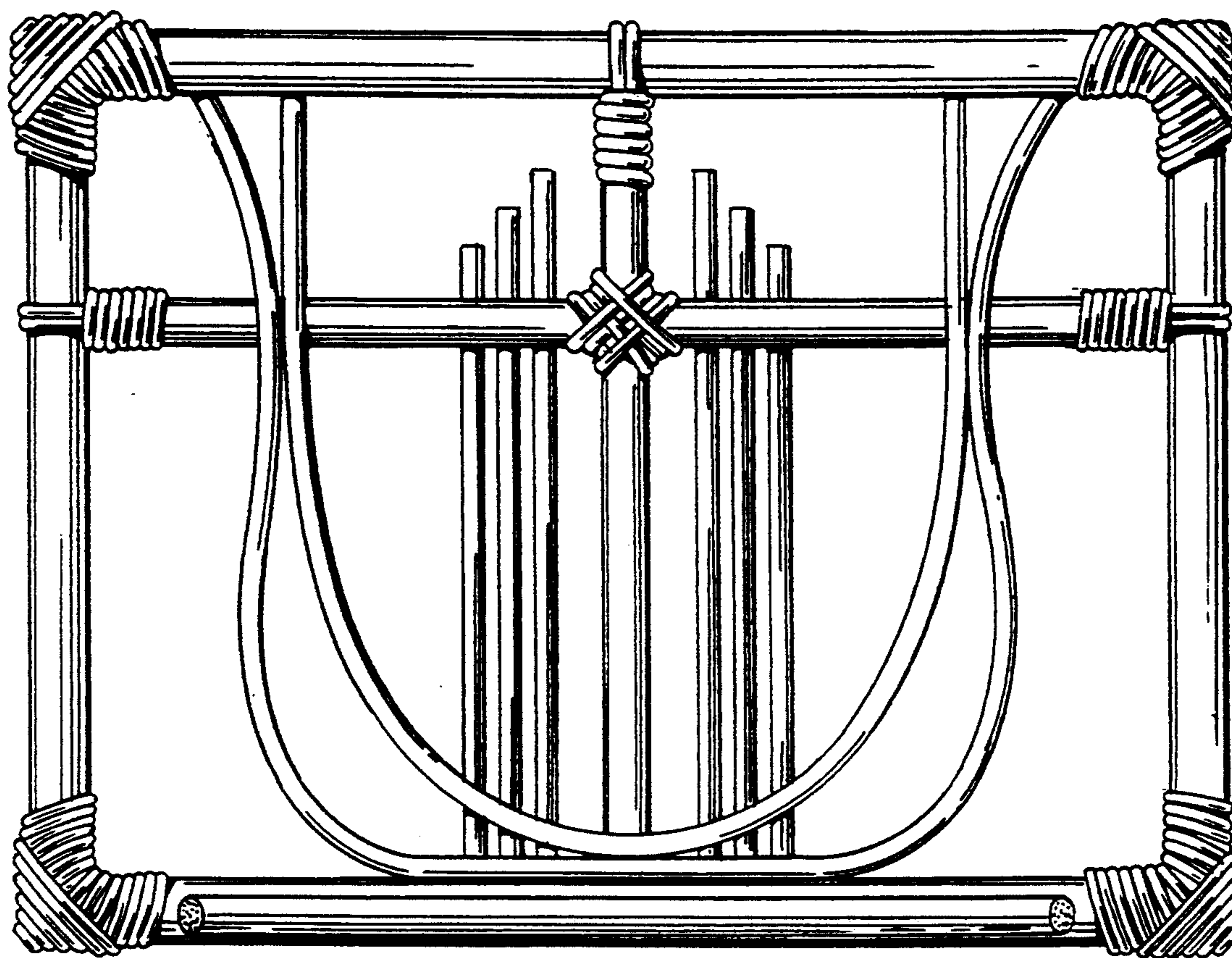


FIG. 4